



US00D618182S

(12) **United States Design Patent**
Stiles, Jr. et al.

(10) **Patent No.:** **US D618,182 S**

(45) **Date of Patent:** **** Jun. 22, 2010**

(54) **PUMP CONTROL PAD**

(75) Inventors: **Robert W. Stiles, Jr.**, Cary, NC (US);
Lars Hoffmann Berthelsen, Kolding
(DK); **Gert Kjaer**, Soenderborg (DK);
Arne Fink Hansen, Graasten (DK)

(73) Assignees: **Pentair Water Pool and Spa, Inc.**,
Sanford, NC (US); **Danfoss Low Power**
Drives, a division of Danfoss Drives
A/S, Graasten (DK)

(**) Term: **14 Years**

(21) Appl. No.: **29/335,589**

(22) Filed: **Apr. 17, 2009**

(51) **LOC (9) Cl.** **13-03**

(52) **U.S. Cl.** **D13/164**

(58) **Field of Classification Search** D13/162,
D13/164, 168, 171, 173, 174, 177, 184, 199;
D10/40, 80, 49, 103; D14/218, 313, 335,
D14/358, 399, 401, 413, 454; D16/219;
D18/41; D21/328, 332, 566; D23/246; 174/50;
200/302.1; 239/242; 307/157, 41; 335/132;
337/37, 68; 361/686; 84/670

See application file for complete search history.

(56) **References Cited**

U.S. PATENT DOCUMENTS

D315,315 S * 3/1991 Stairs, Jr. D10/50

D334,542 S * 4/1993 Lowe et al. D10/104
D359,458 S * 6/1995 Pierret et al. D10/50
D363,060 S * 10/1995 Hunger et al. D13/177
D375,908 S * 11/1996 Schumaker et al. D10/49
D429,699 S * 8/2000 Davis et al. D13/162
D490,726 S * 6/2004 Eungprabhanth et al. D10/49
D512,026 S * 11/2005 Nurmi et al. D13/162
D533,512 S * 12/2006 Nakashima et al. D13/164
D567,189 S * 4/2008 Stiles et al. D13/164
D582,797 S * 12/2008 Fraser et al. D10/40
D583,828 S * 12/2008 Li et al. D14/496

* cited by examiner

Primary Examiner—Daniel D Bui

Assistant Examiner—Thomas J Johannes

(74) *Attorney, Agent, or Firm*—Greenberg Traurig, LLC

(57) **CLAIM**

The ornamental design for a pump control pad, as shown and described.

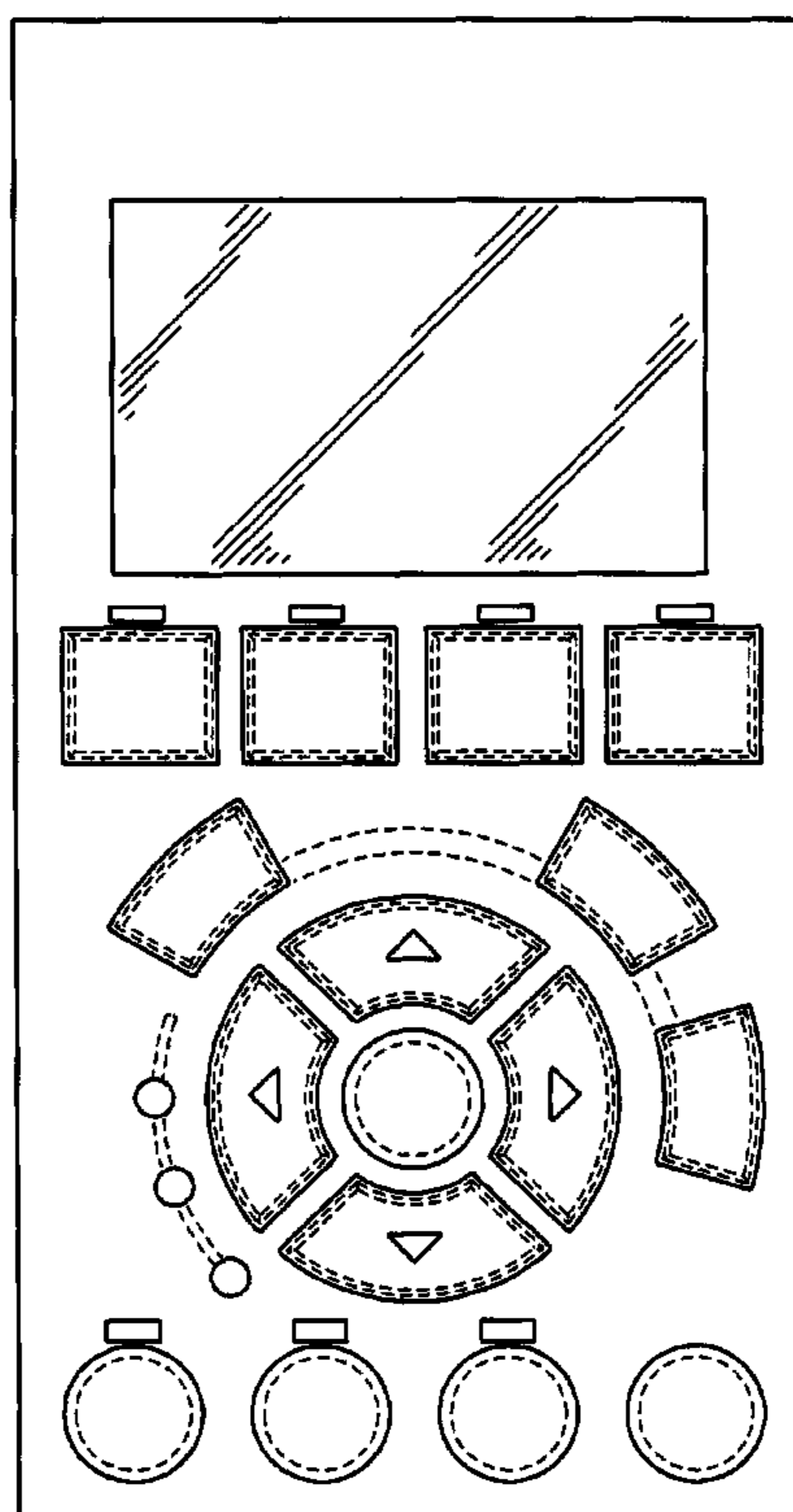
DESCRIPTION

FIG. 1 is a top view of a pump control pad showing our new design; and,

FIG. 2 is a top view thereof.

The broken line portion of the figure drawings is included to show unclaimed subject matter only and forms no part of the claimed design; FIG. 1 does not show all unclaimed broken line detail on the pump control pad because of size constraints.

1 Claim, 2 Drawing Sheets



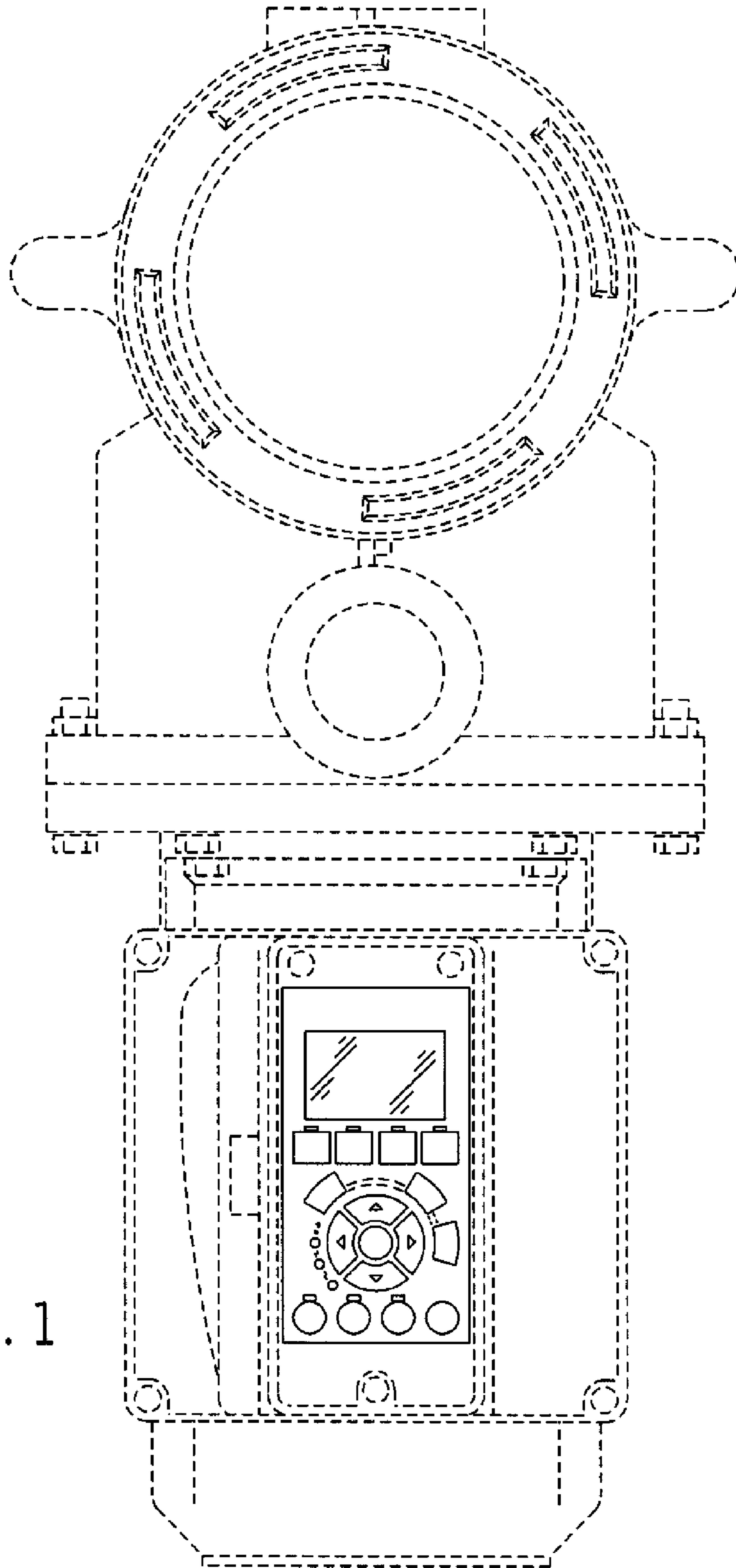


FIG. 1

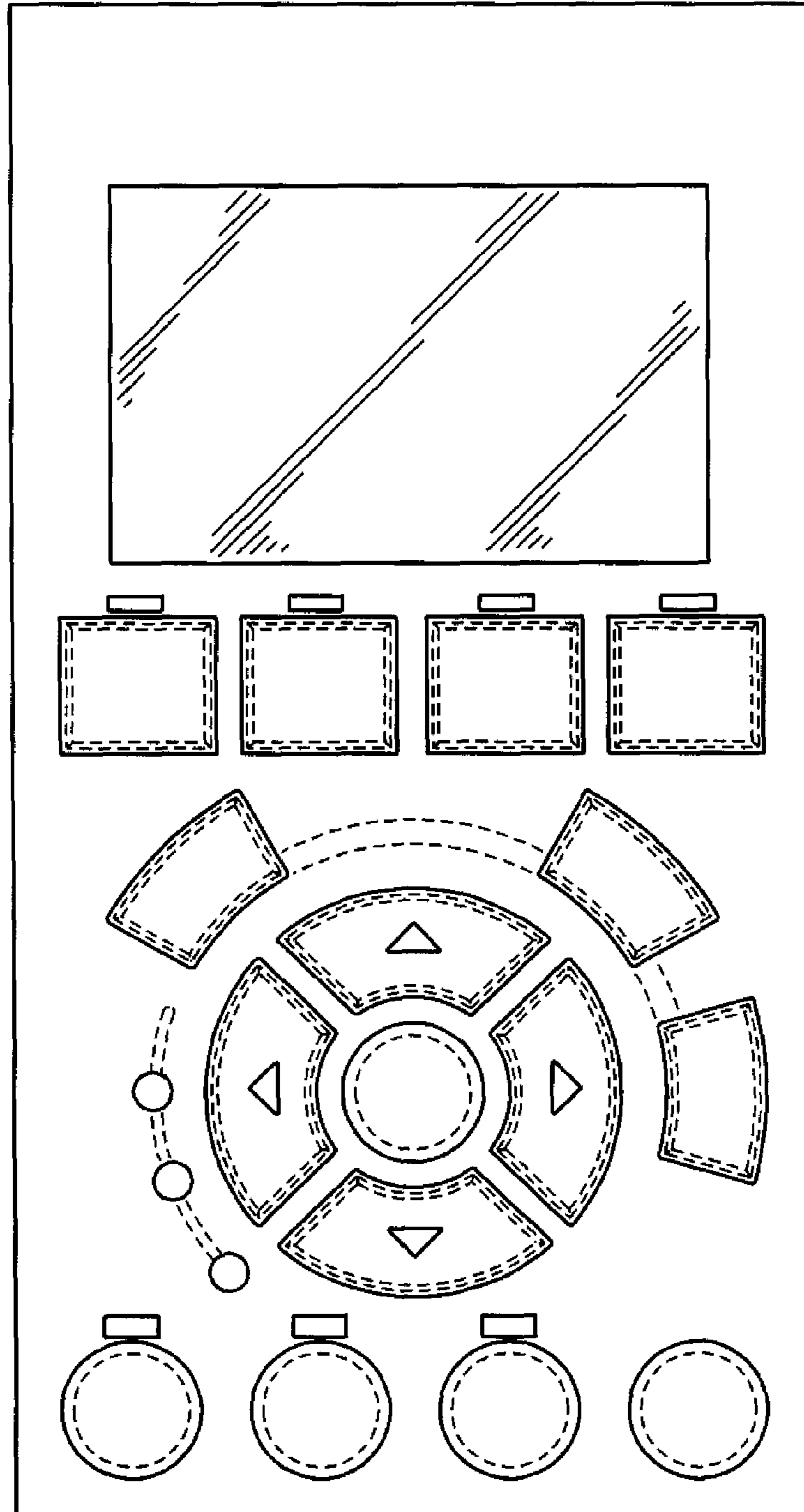


FIG. 2