



US00D618179S

(12) **United States Design Patent**
Arai et al.

(10) **Patent No.:** **US D618,179 S**
(45) **Date of Patent:** **** Jun. 22, 2010**

(54) **PORTION OF AN ELECTRIC CONNECTOR**

(75) Inventors: **Toshimitsu Arai**, Nasukarasuyama (JP);
Takanobu Yoshimi, Tochigi (JP);
Masato Hida, Utsunomiya (JP); **Yukio Saitou**, Tochigi (JP)

(73) Assignee: **DDK Ltd.**, Tokyo (JP)

(**) Term: **14 Years**

(21) Appl. No.: **29/315,812**

(22) Filed: **Jul. 24, 2009**

(30) **Foreign Application Priority Data**

Jan. 28, 2009 (JP) D2009-001596

(51) **LOC (9) Cl.** **13-03**

(52) **U.S. Cl.** **D13/154**

(58) **Field of Classification Search** D13/147,
D13/154, 184; 439/73, 79, 83, 181, 395,
439/495, 607-610, 633, 637, 660, 839, 862,
439/849-850, 877, 884-885, 887-891
See application file for complete search history.

(56) **References Cited**

U.S. PATENT DOCUMENTS

3,611,264 A * 10/1971 Ellis, Jr. 439/403
D402,637 S * 12/1998 Carpenter, Jr. D13/178
D408,013 S * 4/1999 Zimmer et al. D13/147
D409,147 S * 5/1999 Zimmer et al. D13/147
6,135,821 A * 10/2000 Liu 439/676

D460,419 S * 7/2002 Zielke et al. D13/147
D526,964 S * 8/2006 Chien Chiu D13/147

* cited by examiner

Primary Examiner—Daniel D Bui
(74) *Attorney, Agent, or Firm*—Sughrue Mion, PLLC

(57) **CLAIM**

The ornamental design for a portion of an electric connector, as shown and described.

DESCRIPTION

FIG. 1 is a perspective view of a portion of an electric connector showing our new design;
FIG. 2 is a top plan view thereof;
FIG. 3 is a rear view thereof;
FIG. 4 is a fragmentary enlarged view of FIG. 1;
FIG. 5 is a fragmentary perspective view showing the claimed portion in FIG. 4 from the opposite side;
FIG. 6 is a fragmentary enlarged view of FIG. 2;
FIG. 7 is a fragmentary enlarged view of FIG. 3; and,
FIG. 8 is a referential exploded view showing the environment in which the article is used.

The broken line showing of the environment in the drawing views is included for illustrative purposes only and form no part of the claimed design. The lines consisting of long lines and dots are conceptual border lines between the claimed portion and disclaimed portion.

1 Claim, 6 Drawing Sheets

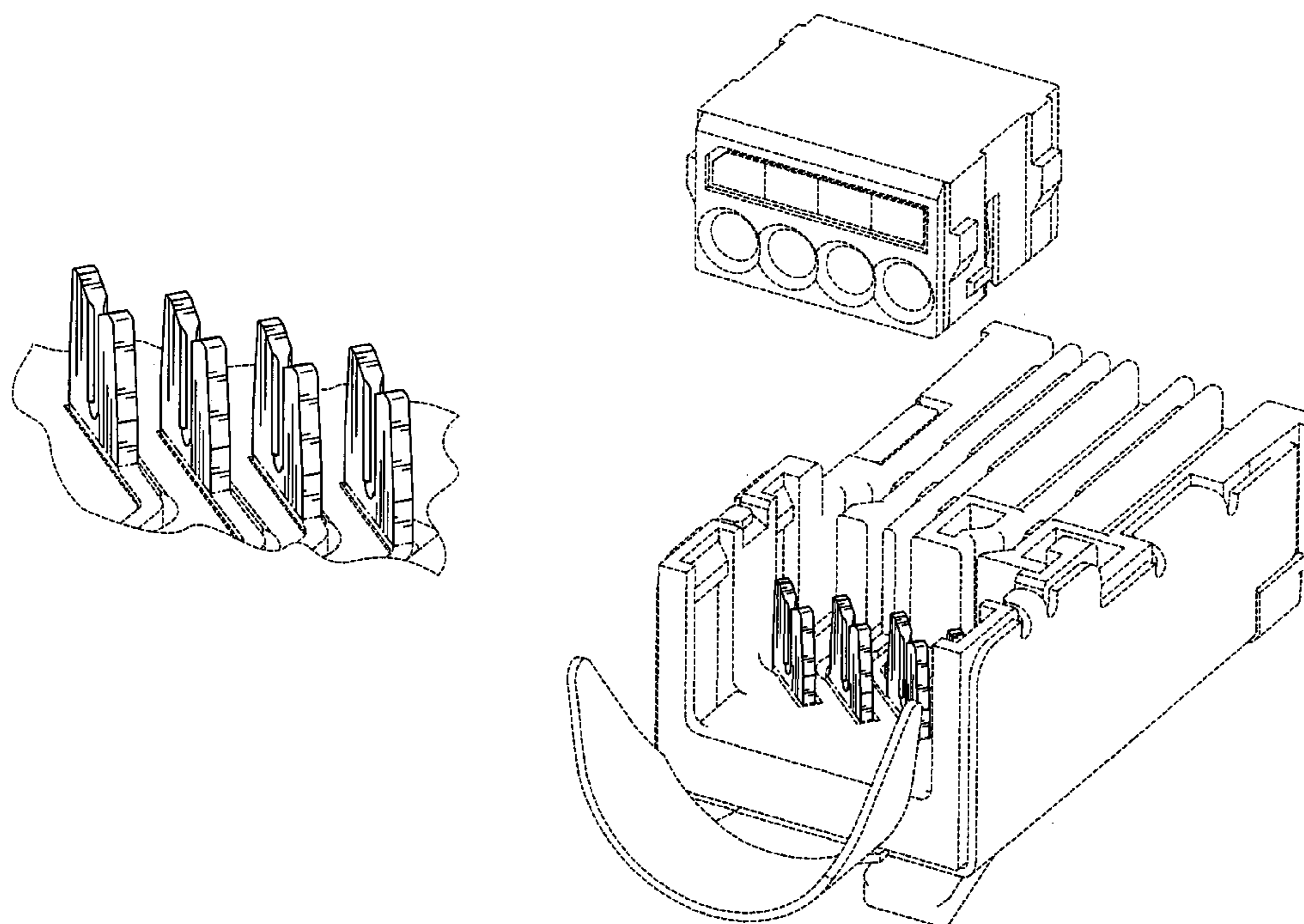


Fig. 1

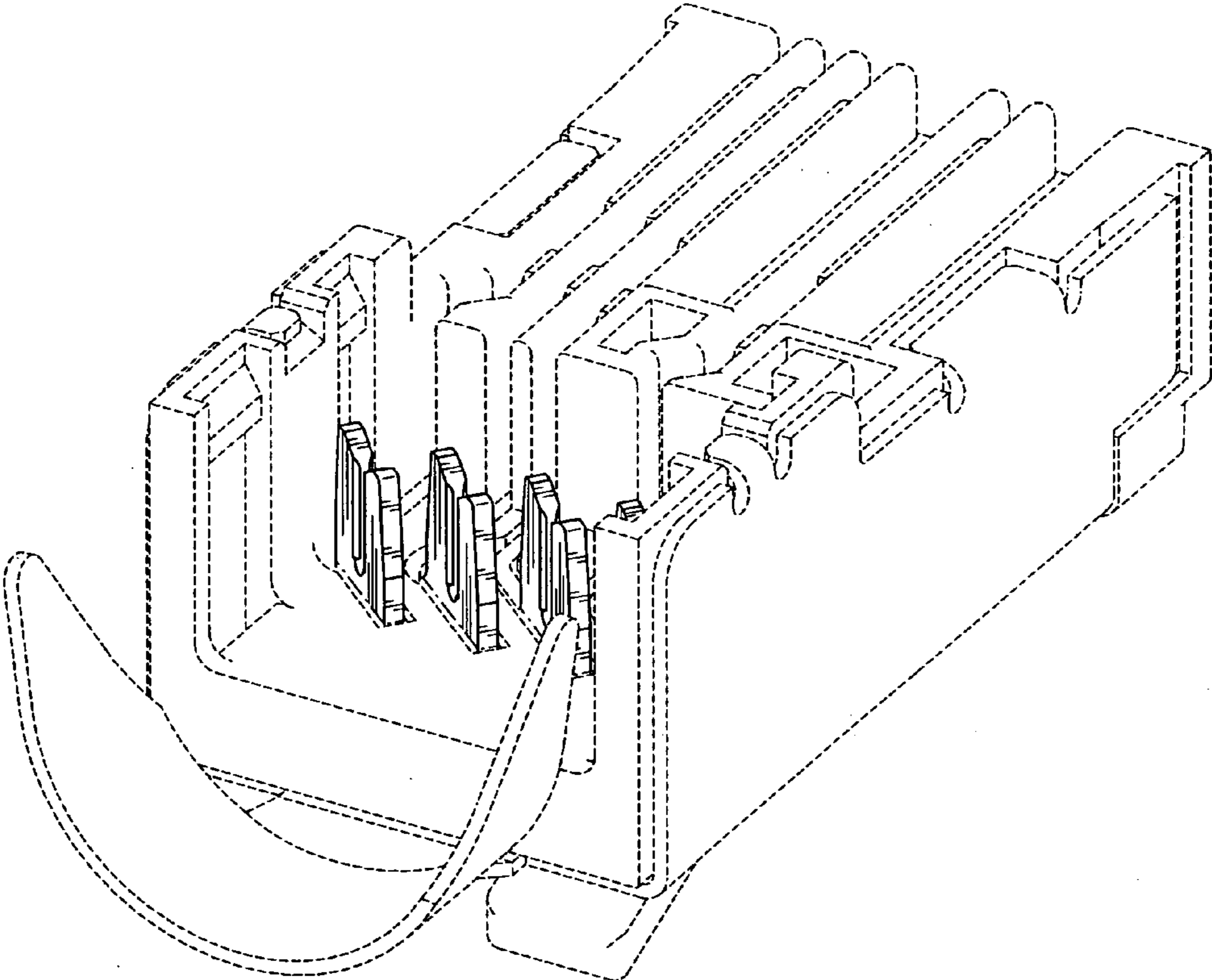


Fig.2

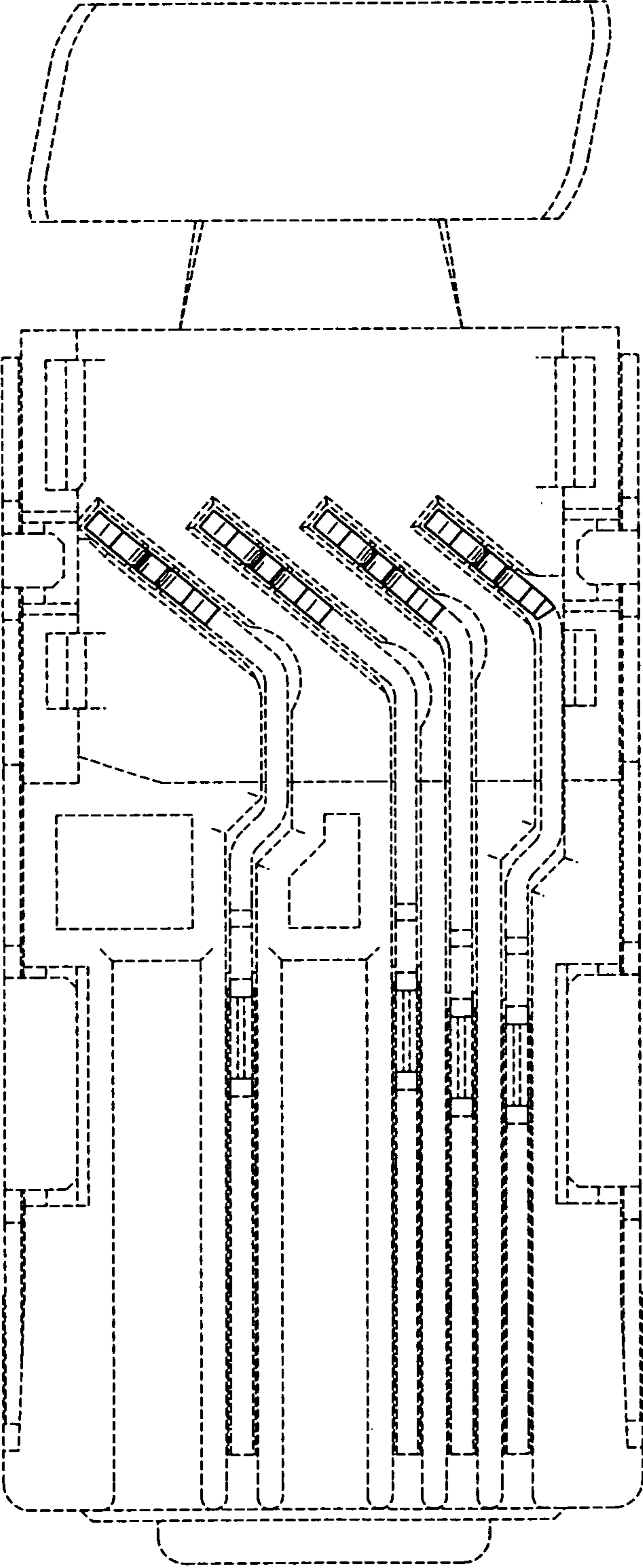


Fig.3

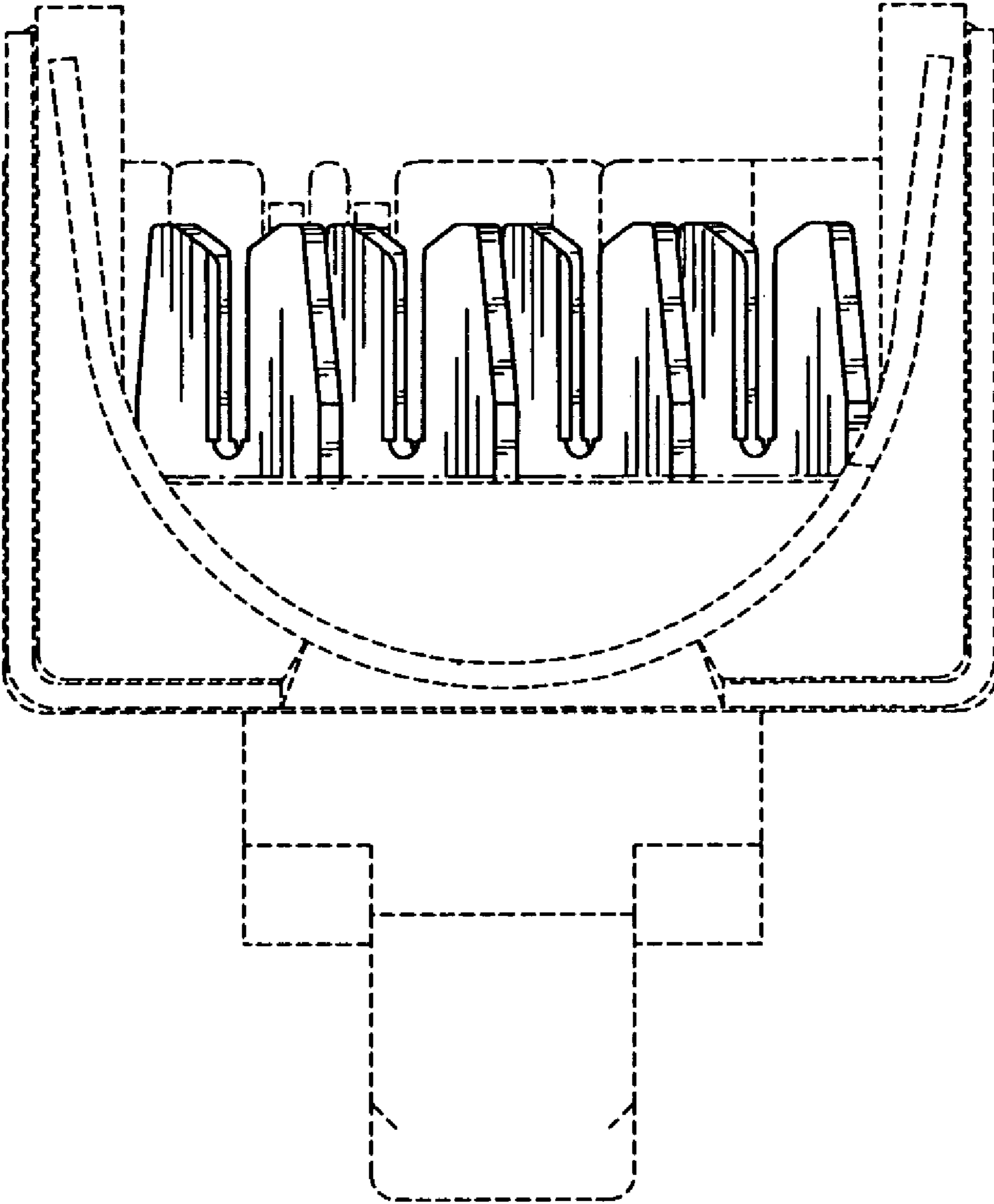


Fig.4

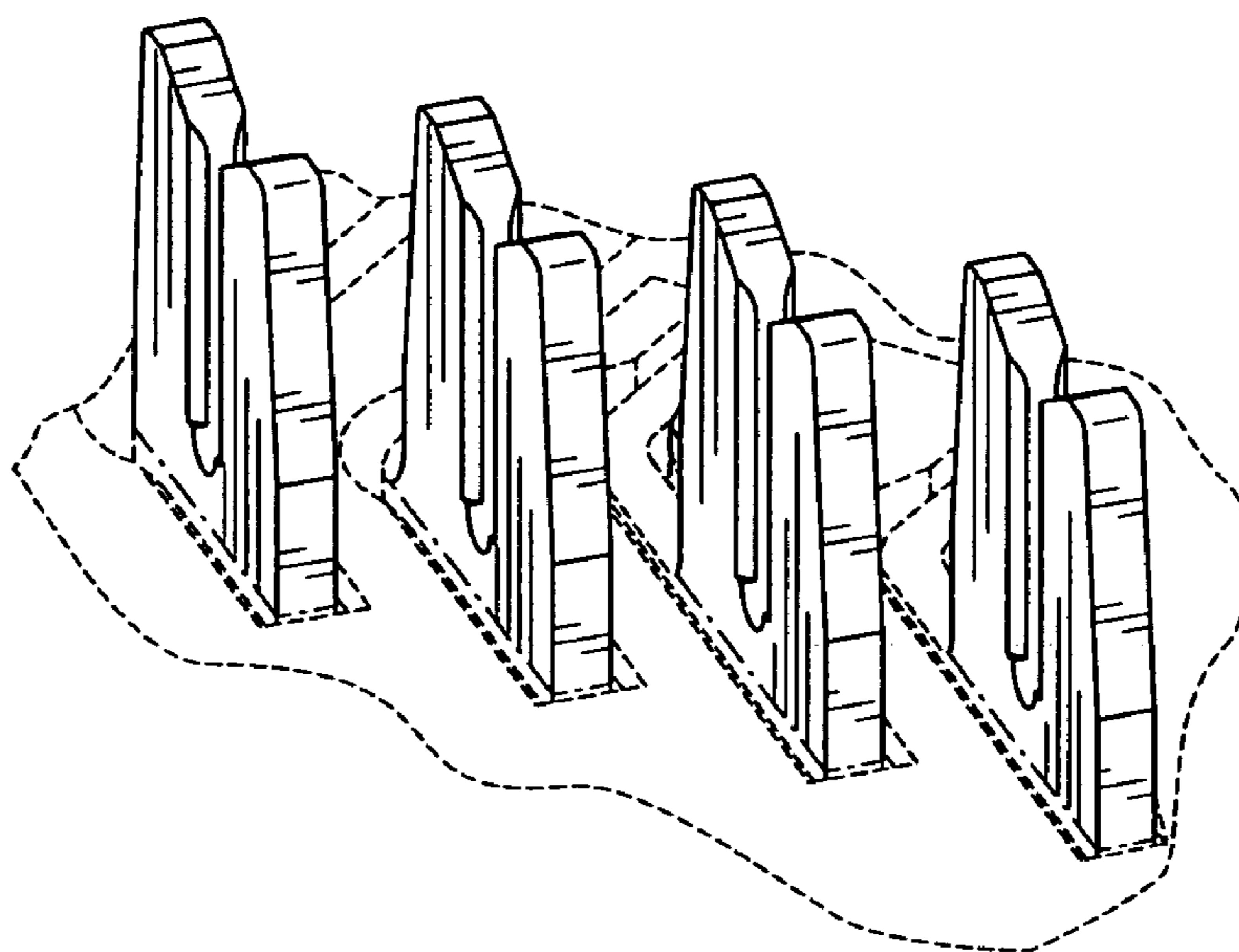


Fig.5

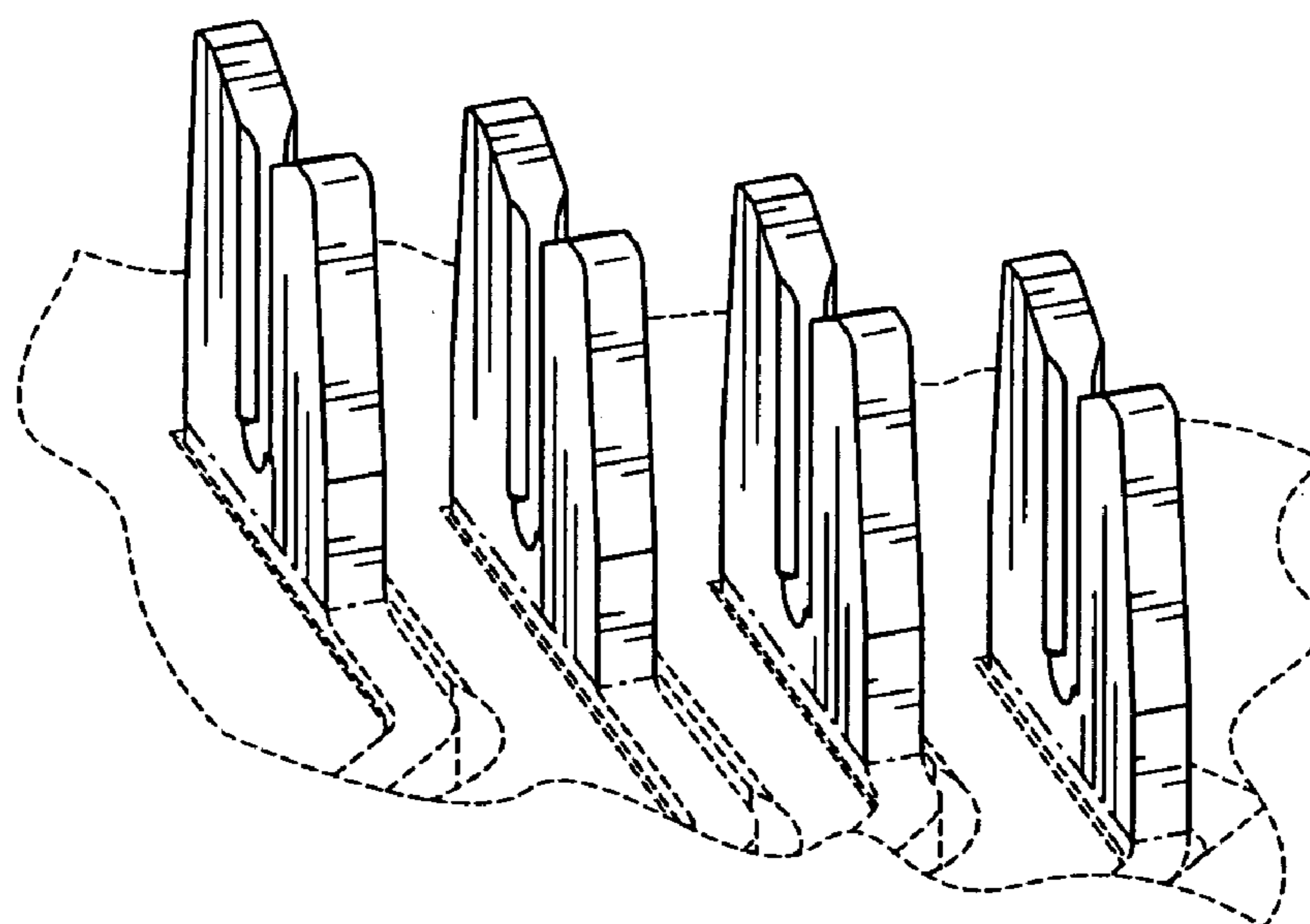


Fig.6

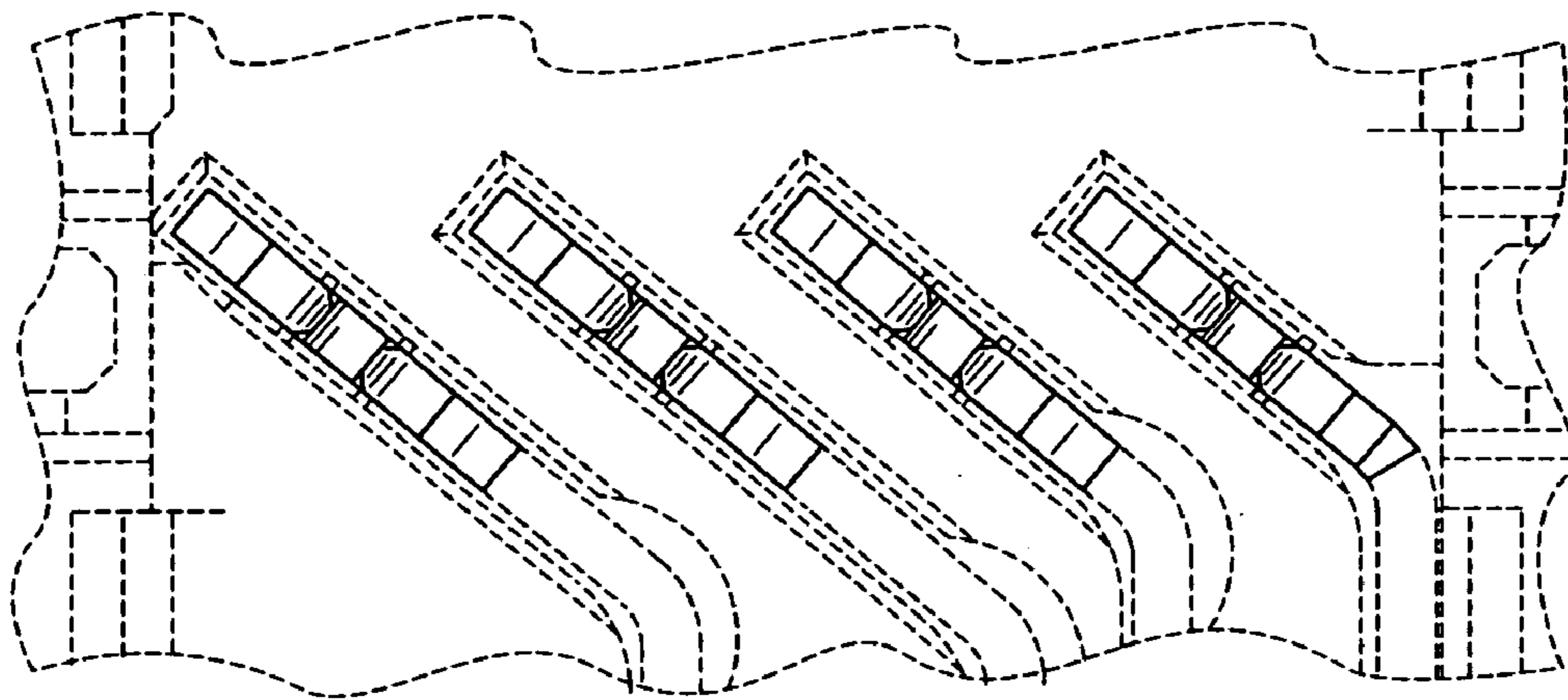


Fig.7

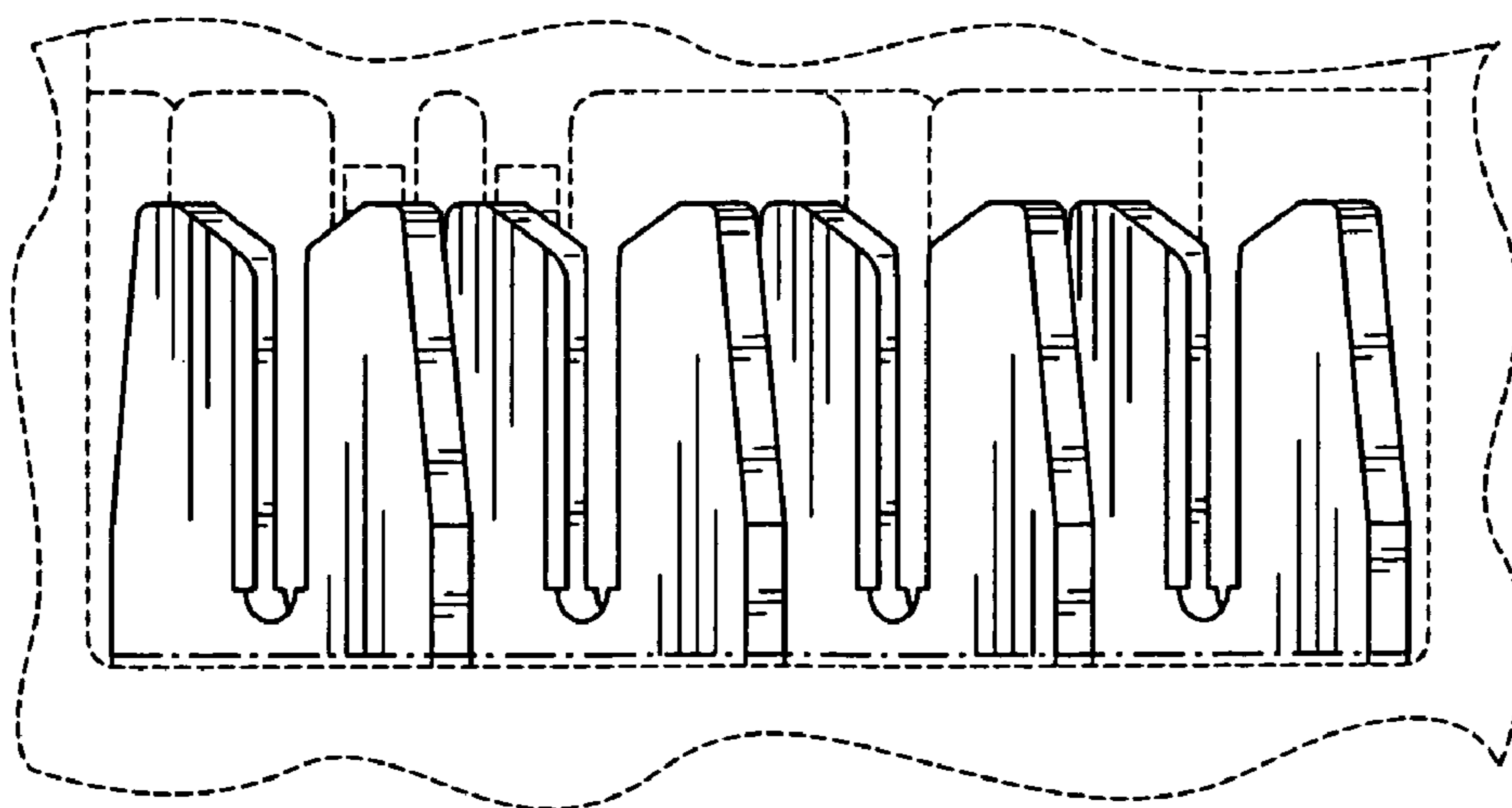


Fig.8

