



US00D618176S

(12) **United States Design Patent**  
**Kato et al.**

(10) **Patent No.:** **US D618,176 S**  
(45) **Date of Patent:** **\*\* Jun. 22, 2010**

(54) **ELECTRICAL CONNECTOR**

OTHER PUBLICATIONS

(75) Inventors: **Hajime Kato**, Makinohara (JP);  
**Tsuyoshi Yano**, Toyota (JP); **Kazuhiro Kondo**, Toyota (JP)

Japanese Design Public-Known Document No. HC16015583, May 14, 2004, p. 6.

\* cited by examiner

(73) Assignees: **Yazaki Corporation**, Tokyo (JP);  
**Toyota Jidosha Kabushiki Kaisha**,  
Toyota-shi (JP)

*Primary Examiner*—Daniel D Bui

(74) *Attorney, Agent, or Firm*—Finnegan, Henderson,  
Farabow, Garrett & Dunner, LLP

(\*\*) Term: **14 Years**

(57) **CLAIM**

(21) Appl. No.: **29/311,611**

The ornamental design for an electrical connector, as shown and described.

(22) Filed: **Apr. 30, 2009**

(30) **Foreign Application Priority Data**

**DESCRIPTION**

Oct. 30, 2008 (JP) ..... 2008-027906

FIG. 1 is a front view of an electrical connector showing our new design with a closure door in the open configuration;

(51) **LOC (9) Cl.** ..... **13-03**

FIG. 2 is a rear view thereof;

(52) **U.S. Cl.** ..... **D13/146; D13/154**

FIG. 3 is a right side view thereof;

(58) **Field of Classification Search** ..... D13/133,  
D13/146, 147, 154, 184; 439/34–35, 142,  
439/144, 381, 503, 519, 521, 571, 573, 638  
See application file for complete search history.

FIG. 4 is a left side view thereof;

FIG. 5 is a top plan thereof;

FIG. 6 is a bottom view thereof;

(56) **References Cited**

FIG. 7 is a top, front and right side perspective view thereof with the closure door in an open condition; and,

U.S. PATENT DOCUMENTS

FIG. 8 is a perspective view thereof with the closure door in a closed condition.

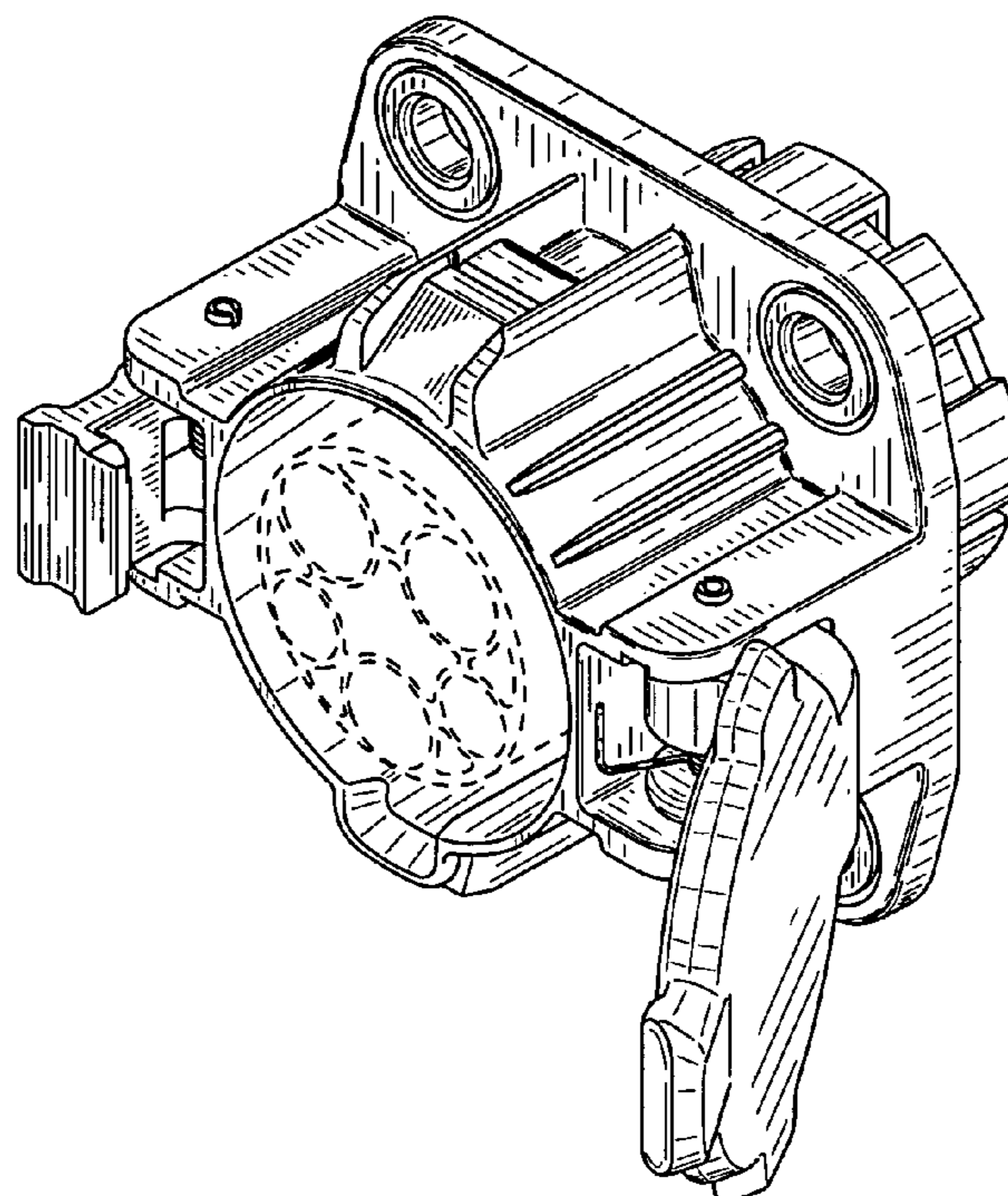
D361,313 S \* 8/1995 Sai et al. .... D13/146  
D367,645 S \* 3/1996 Hashizawa et al. .... D13/146  
D392,618 S \* 3/1998 Fukao et al. .... D13/146  
D449,581 S \* 10/2001 Bosatelli ..... D13/146

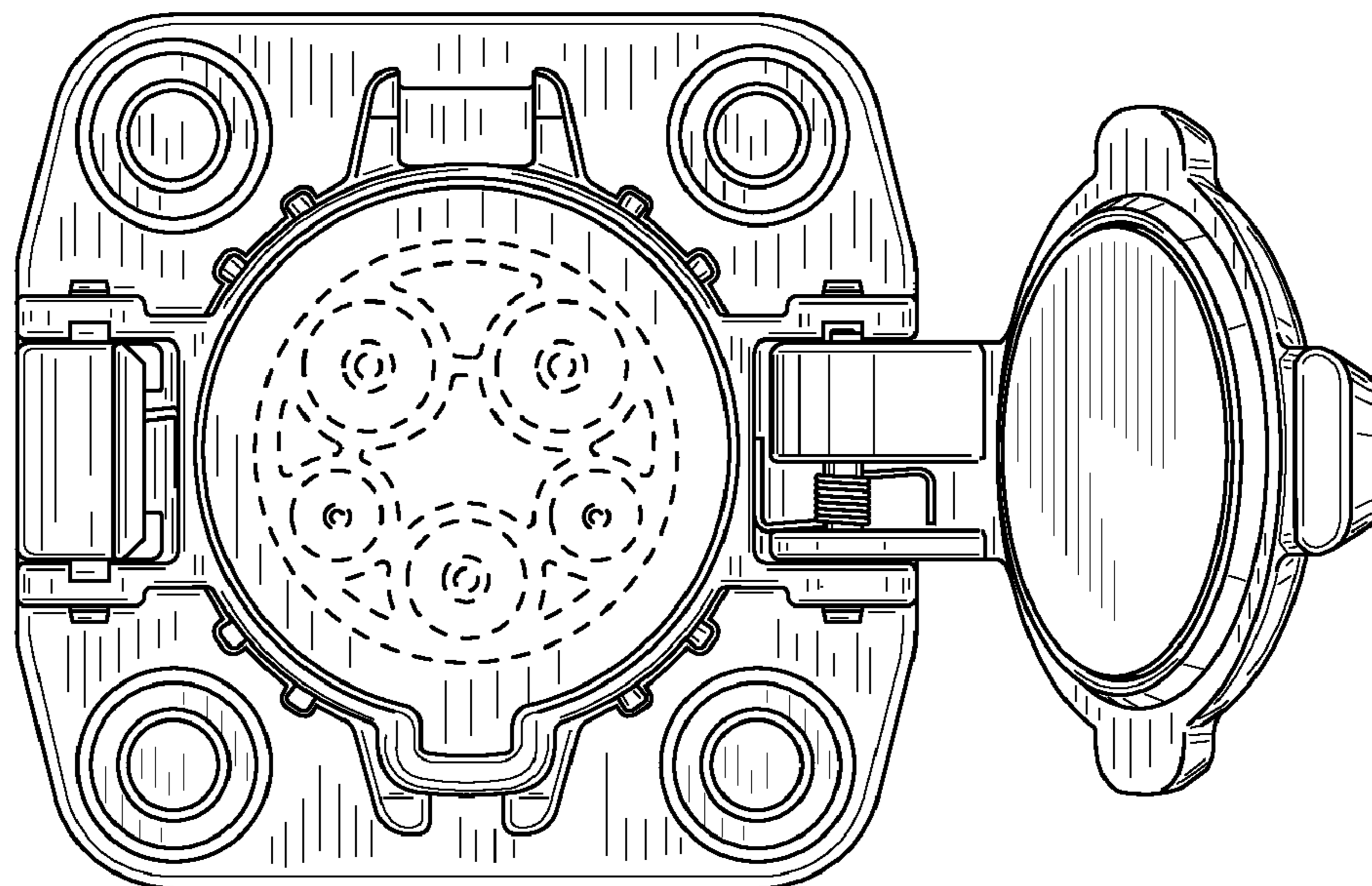
The broken line portion of the figure drawings is included to show unclaimed subject matter only and forms no part of the claimed design.

FOREIGN PATENT DOCUMENTS

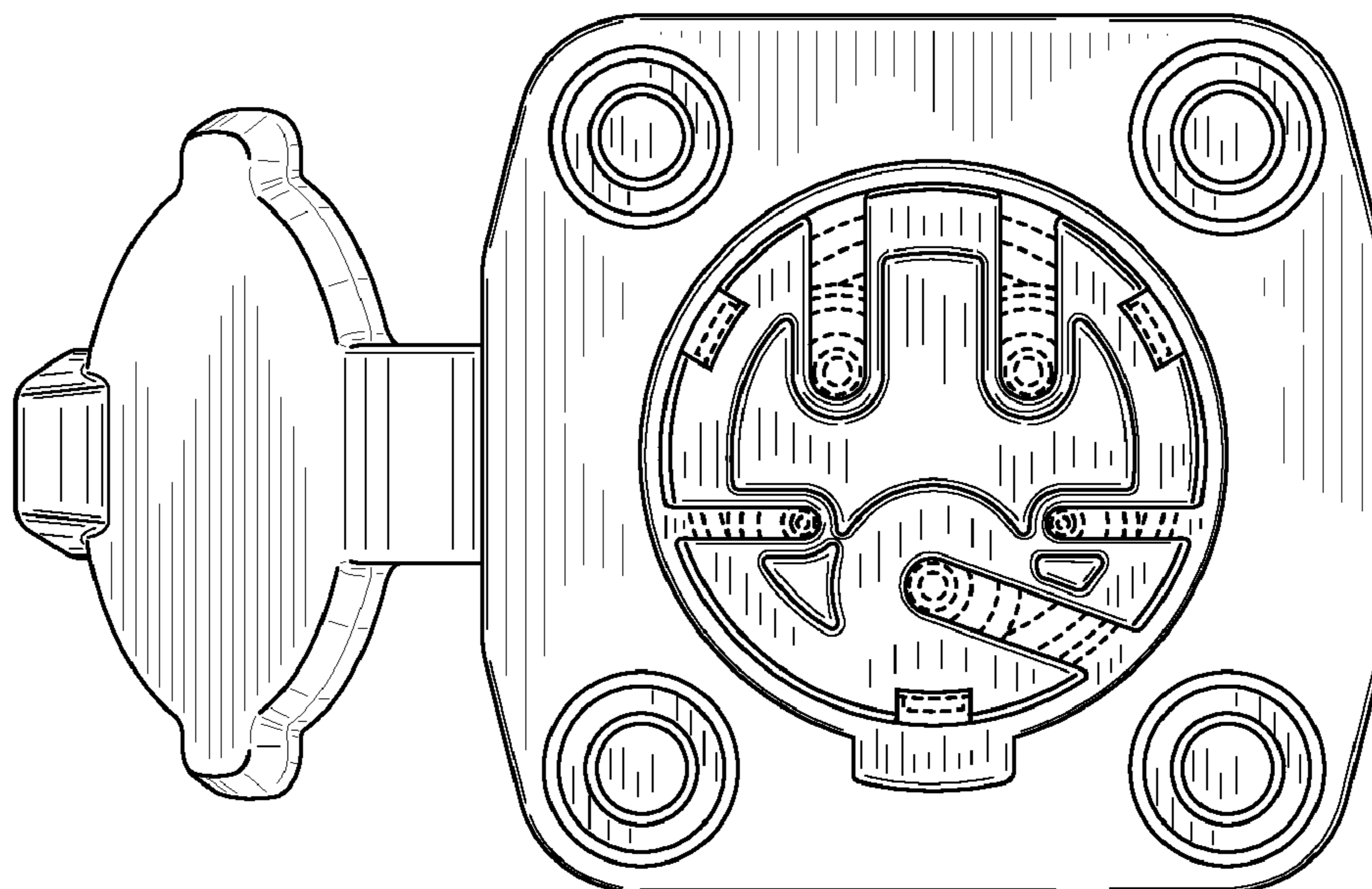
JP 1328541 4/2008

**1 Claim, 4 Drawing Sheets**

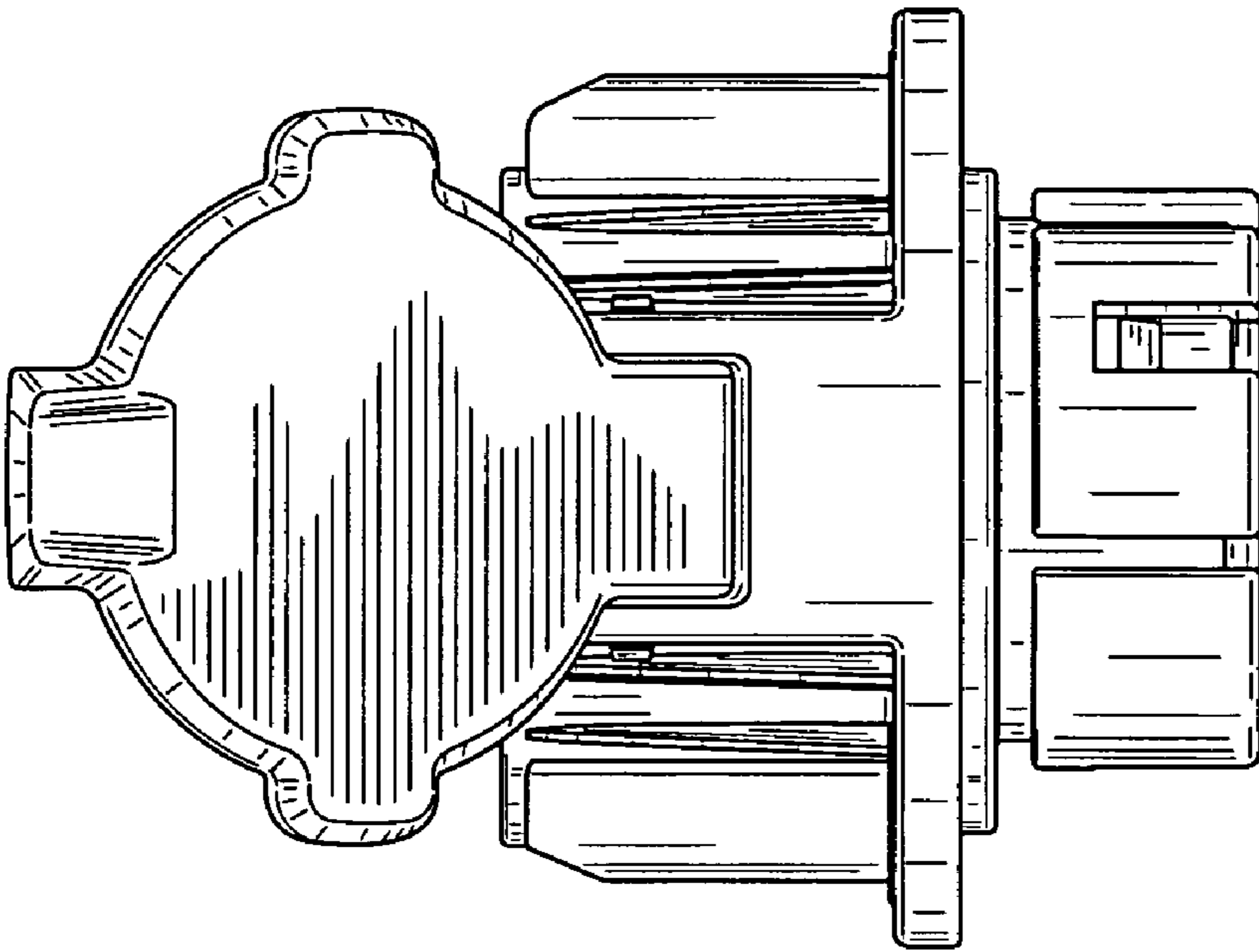




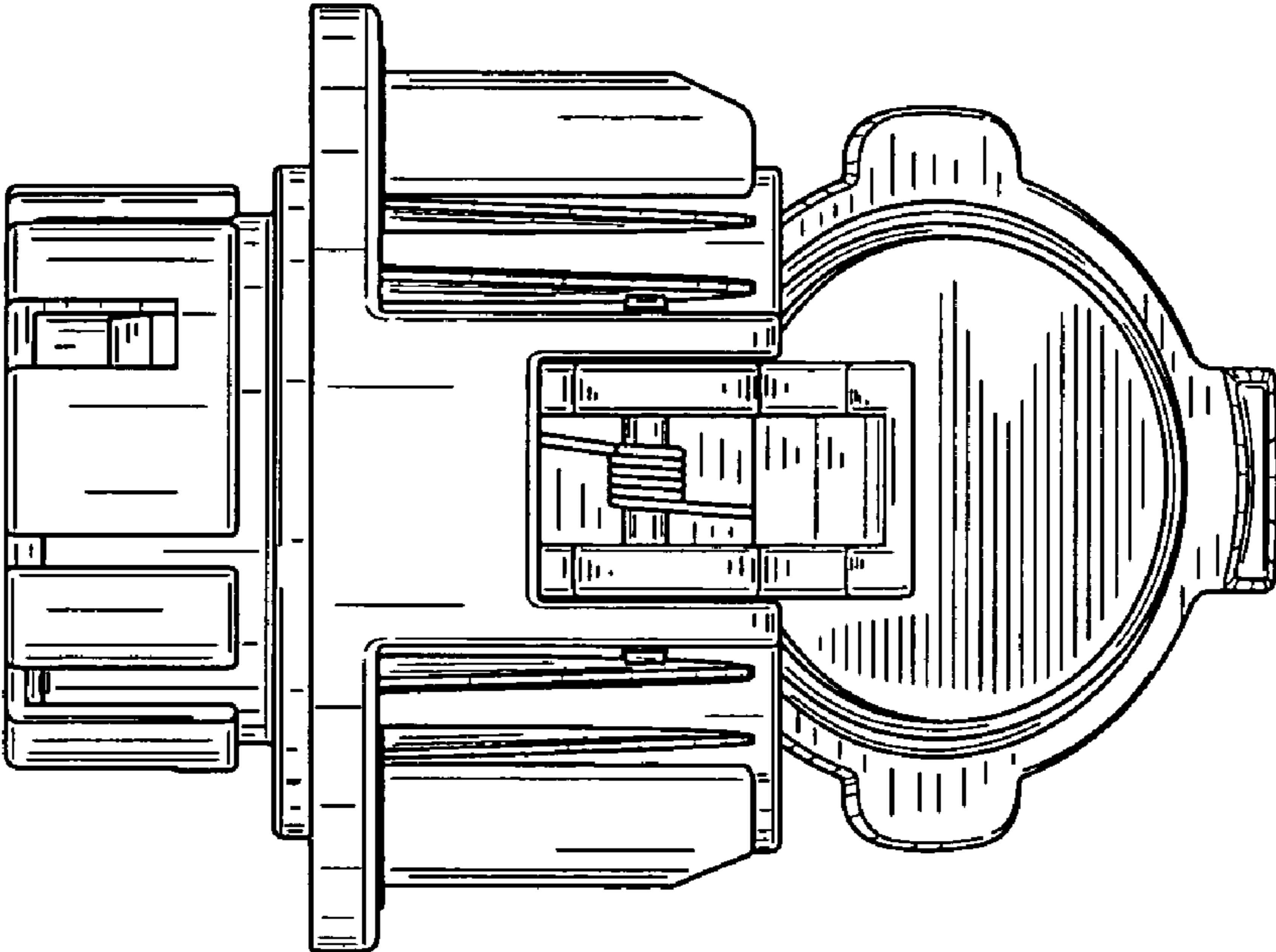
**FIG. 1**



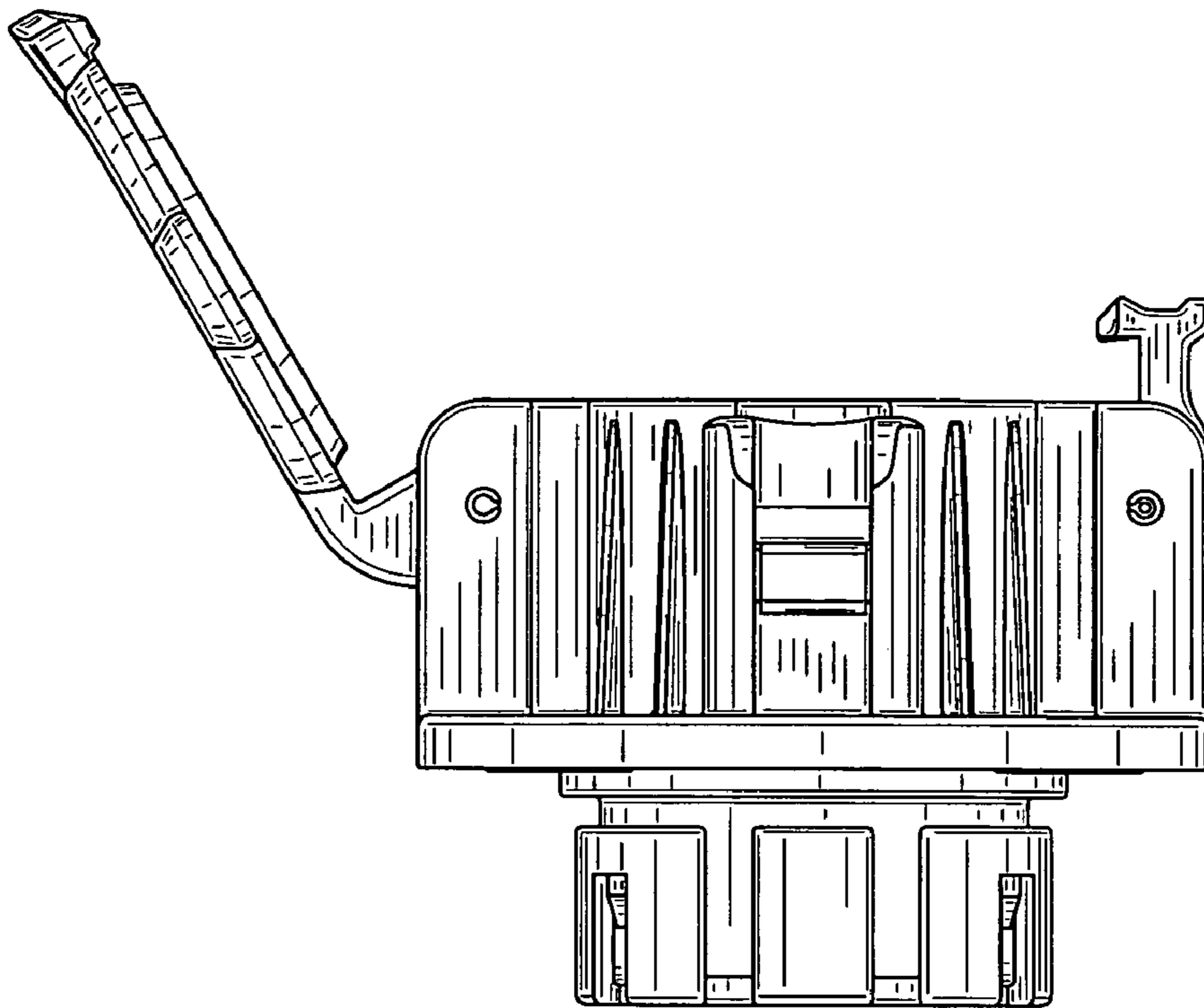
**FIG. 2**



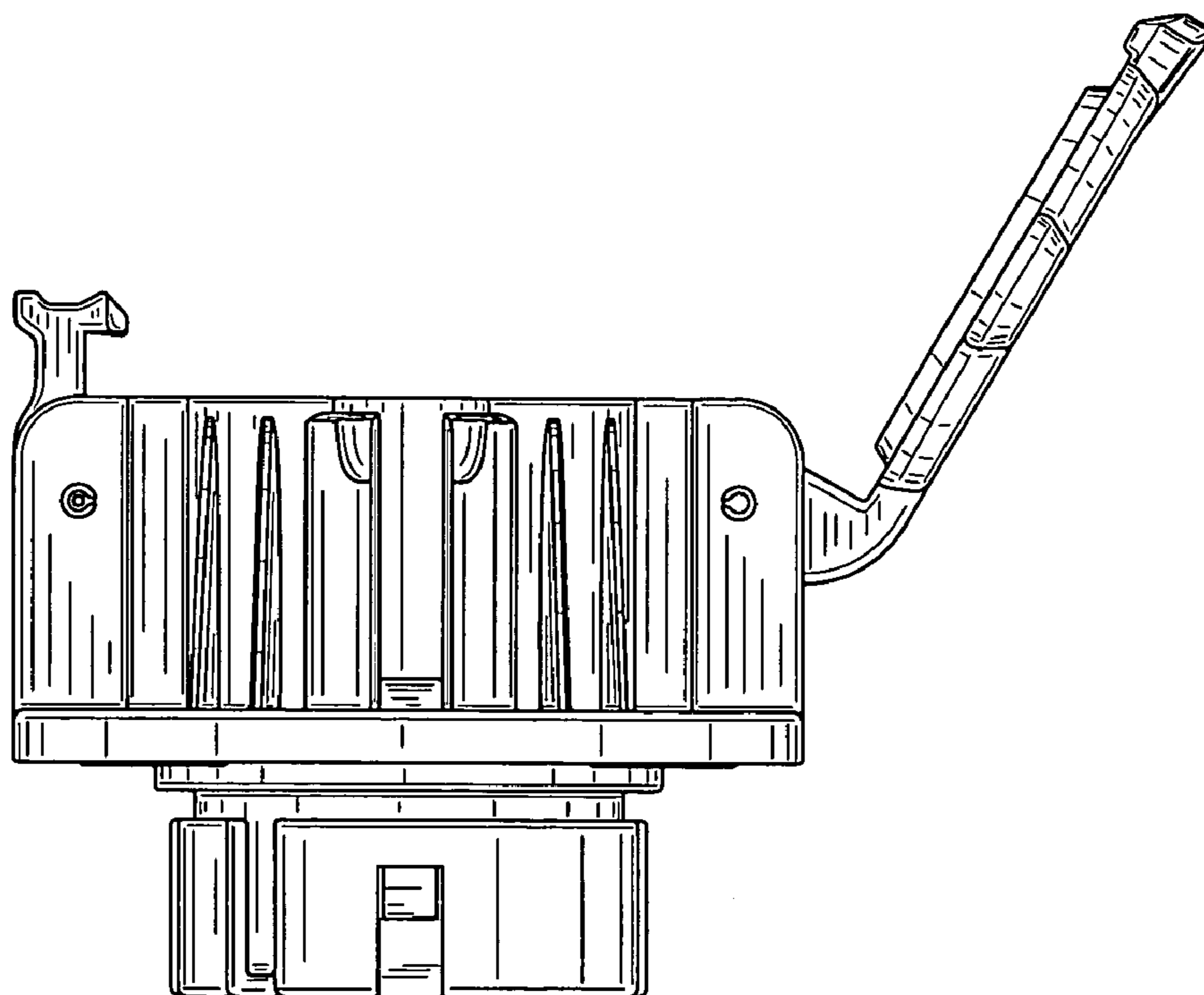
**FIG. 3**



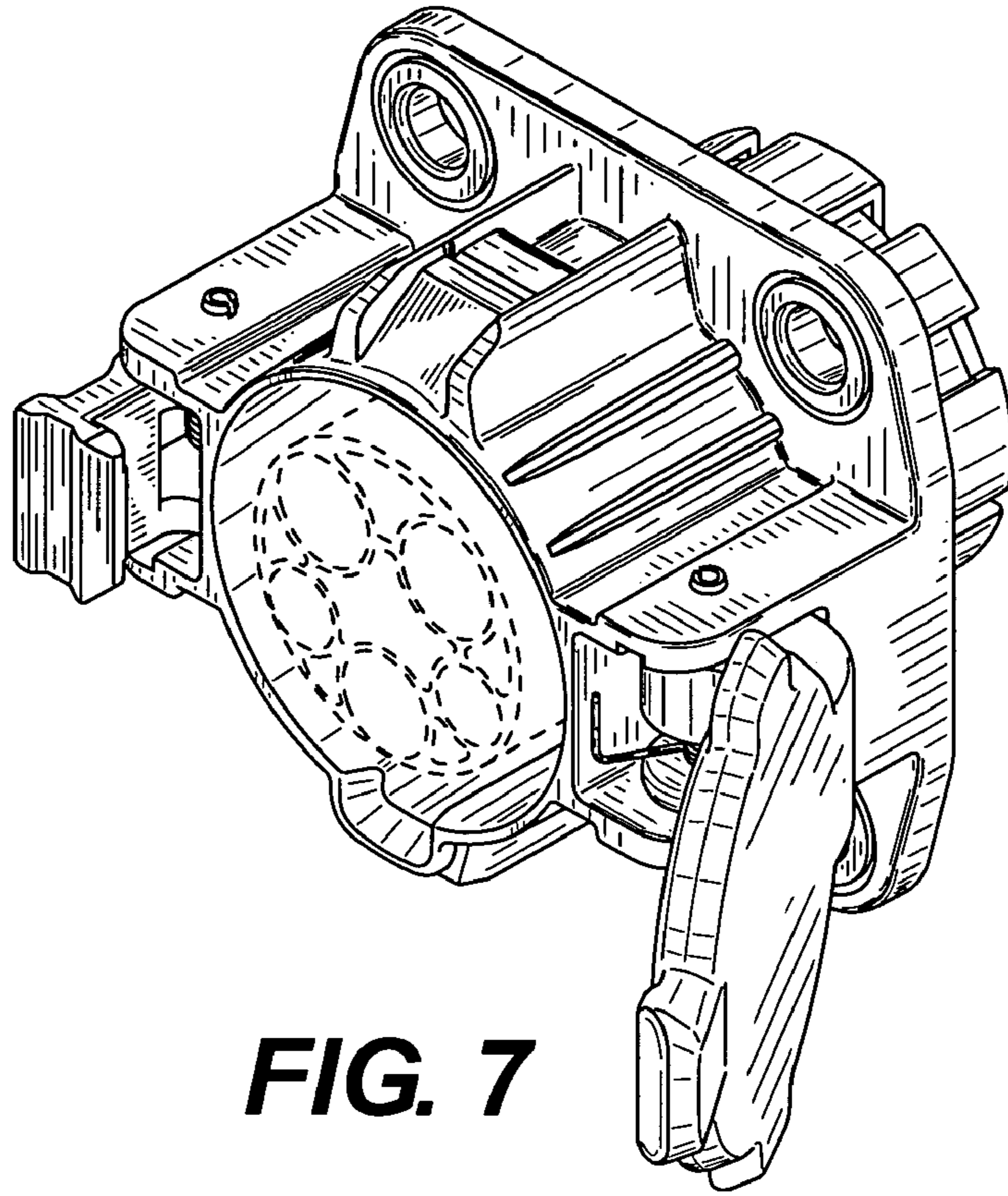
**FIG. 4**



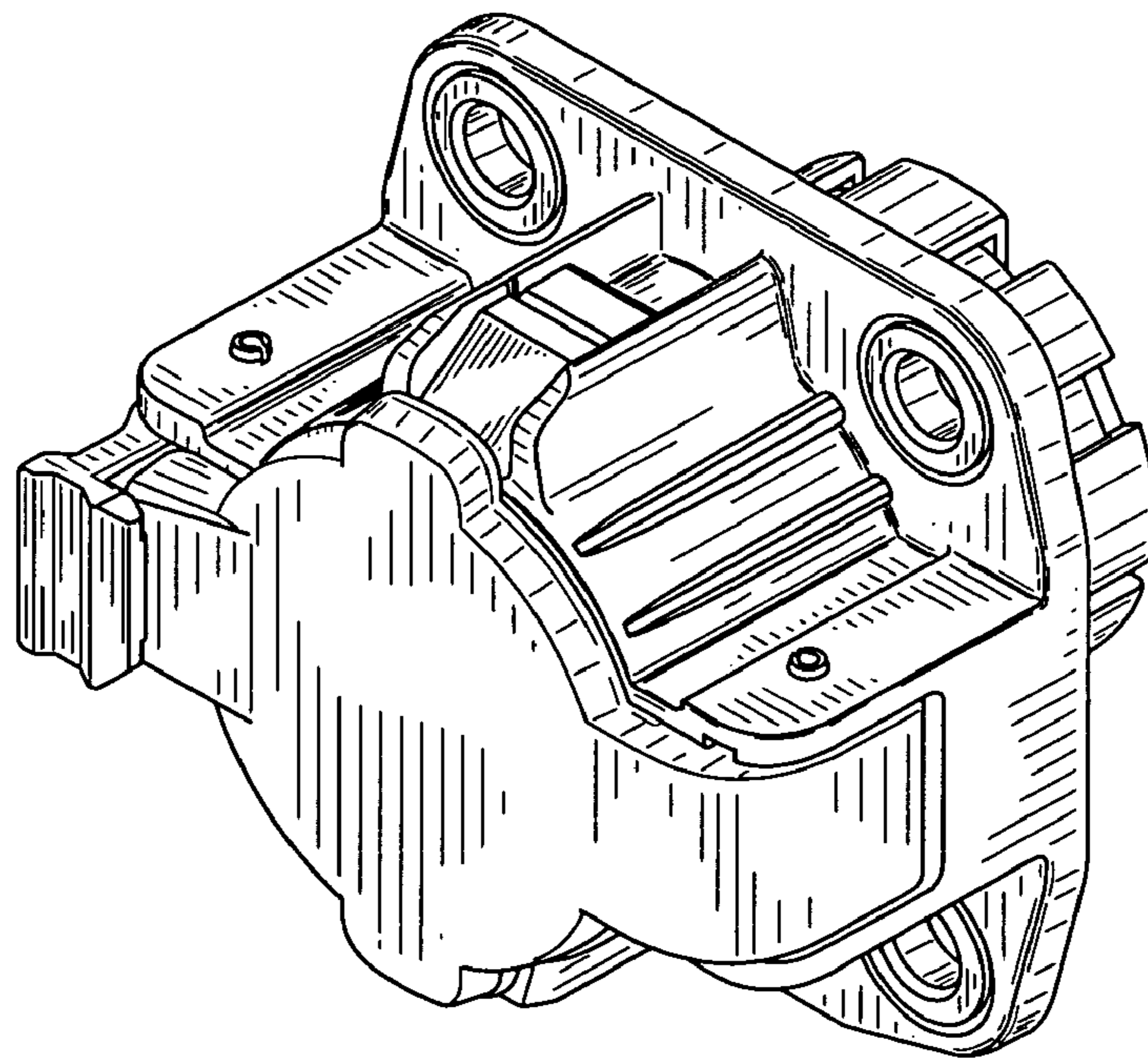
**FIG. 5**



**FIG. 6**



**FIG. 7**



**FIG. 8**