



US00D618174S

(12) **United States Design Patent**
Chiang

(10) **Patent No.:** **US D618,174 S**
(45) **Date of Patent:** **** Jun. 22, 2010**

(54) **AUDIO JACK CONNECTOR**

(75) Inventor: **Shu-Man Chiang**, Taipei (TW)

(73) Assignee: **Cheng Uei Precision Industry Co., Ltd.**, Taipei (TW)

(**) Term: **14 Years**

(21) Appl. No.: **29/353,497**

(22) Filed: **Jan. 9, 2010**

(51) **LOC (9) Cl.** **13-03**

(52) **U.S. Cl.** **D13/133**

(58) **Field of Classification Search** D13/133,
D13/146, 147, 154, 184, 199; 439/660, 668,
439/892, 894

See application file for complete search history.

(56) **References Cited**

U.S. PATENT DOCUMENTS

6,224,409 B1 *	5/2001	Chang	439/188
D533,835 S *	12/2006	Lee	D13/133
D534,494 S *	1/2007	Li	D13/133
D543,145 S *	5/2007	Wu	D13/133
D576,101 S *	9/2008	Wu et al.	D13/133

* cited by examiner

Primary Examiner—Daniel D Bui
Assistant Examiner—Thomas J Johannes

(57) **CLAIM**

The ornamental design for audio jack connector, as shown and described.

DESCRIPTION

FIG. 1 is a perspective view of audio jack connector showing my new design;

FIG. 2 is a front elevational view thereof;

FIG. 3 is a rear elevational view thereof;

FIG. 4 is a left side elevational view thereof;

FIG. 5 is a right side elevational view thereof;

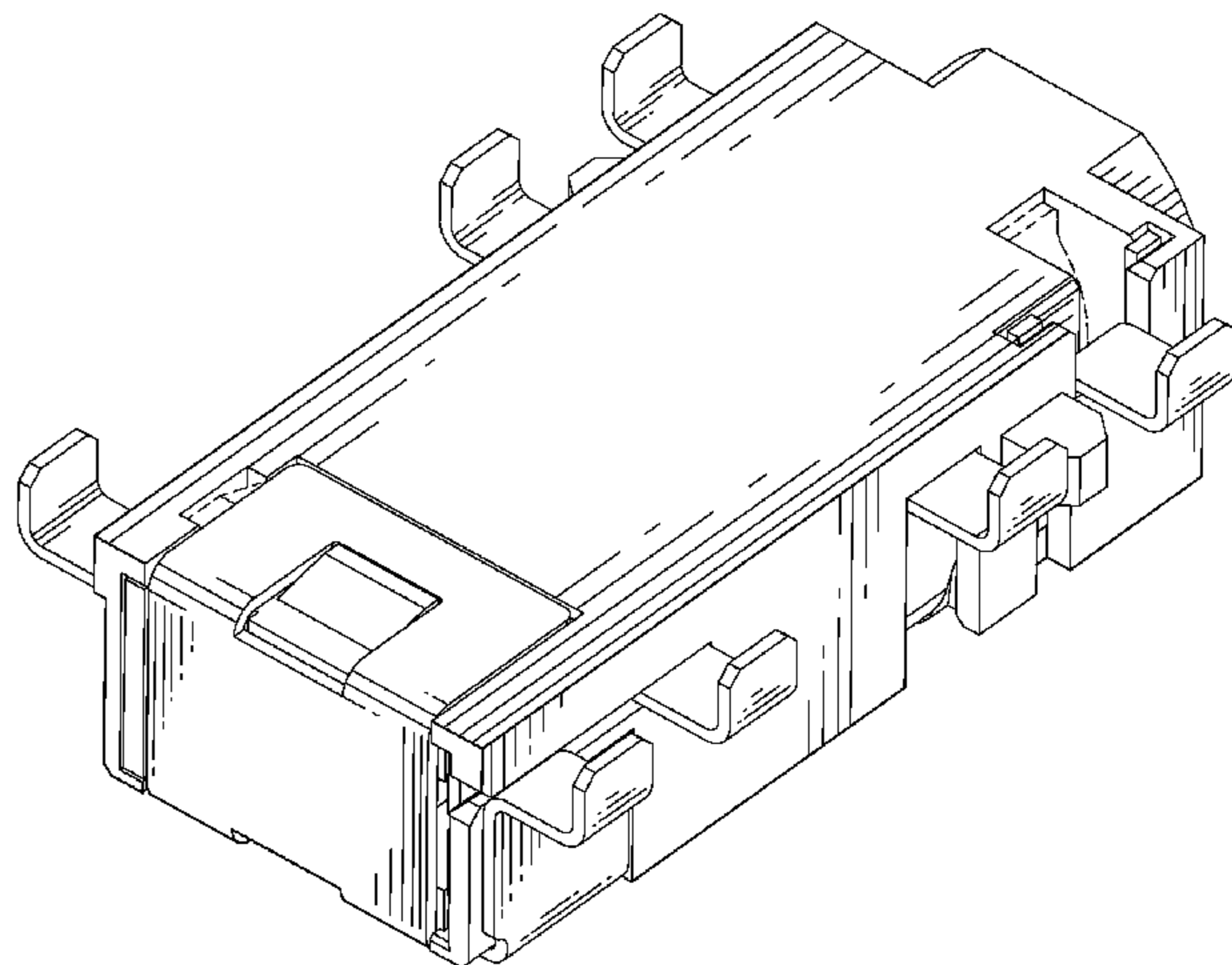
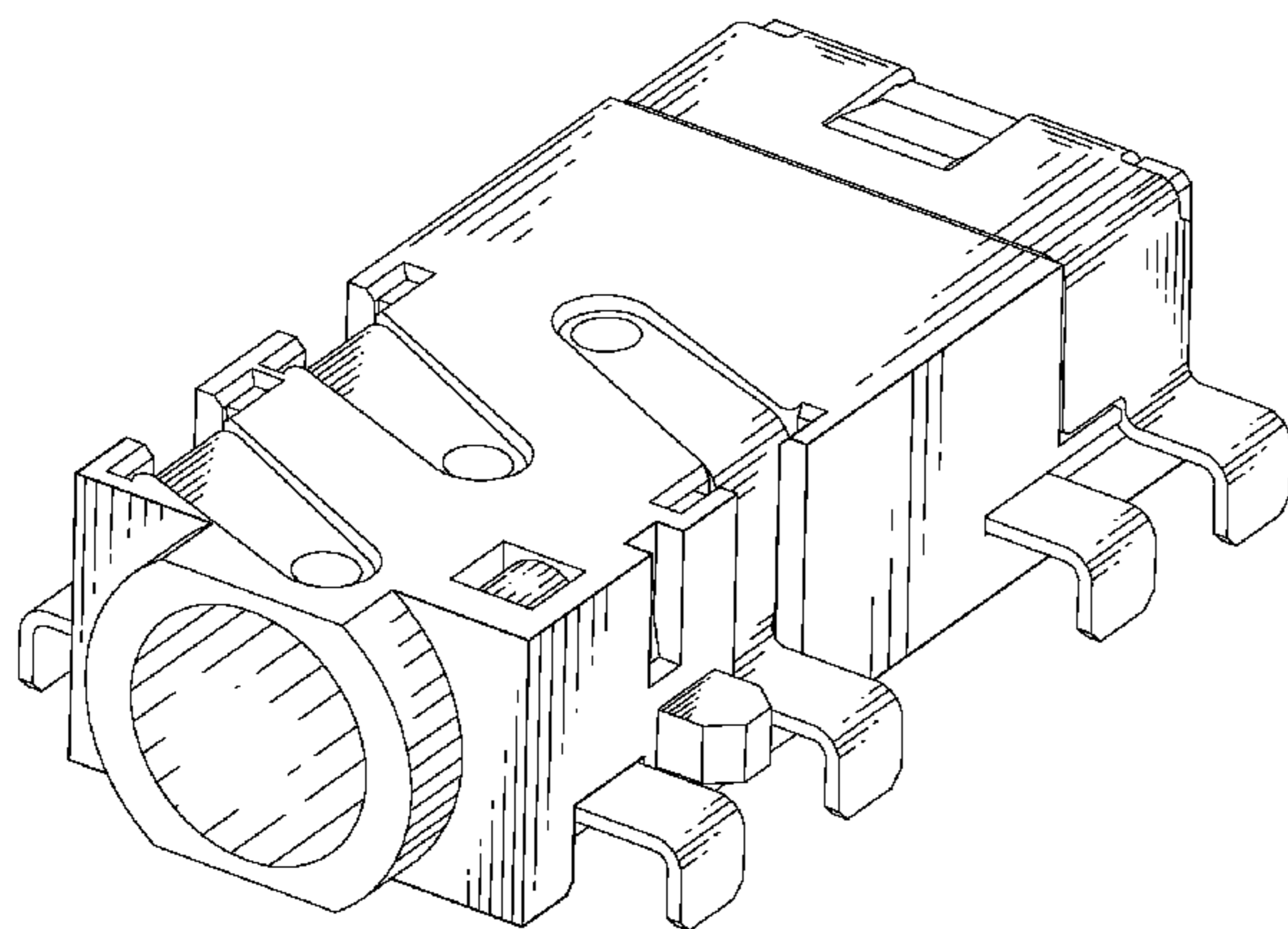
FIG. 6 is a top plan view thereof;

FIG. 7 is a bottom plan view thereof; and,

FIG. 8 is another perspective view of the audio jack connector showing my new design.

The broken lines in the Figures are for illustrative purposes and form no part of the claimed designs.

1 Claim, 8 Drawing Sheets



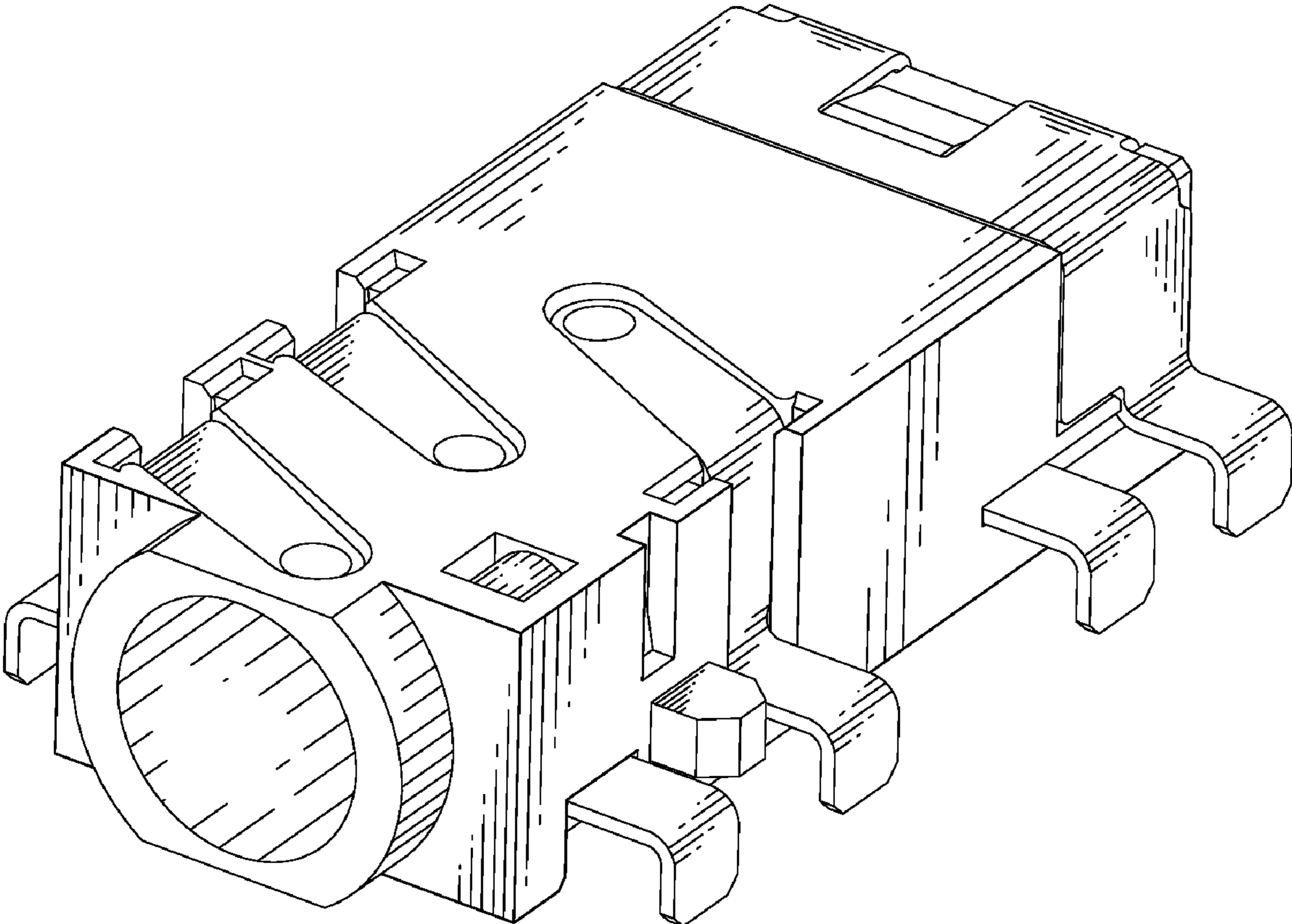


FIG. 1

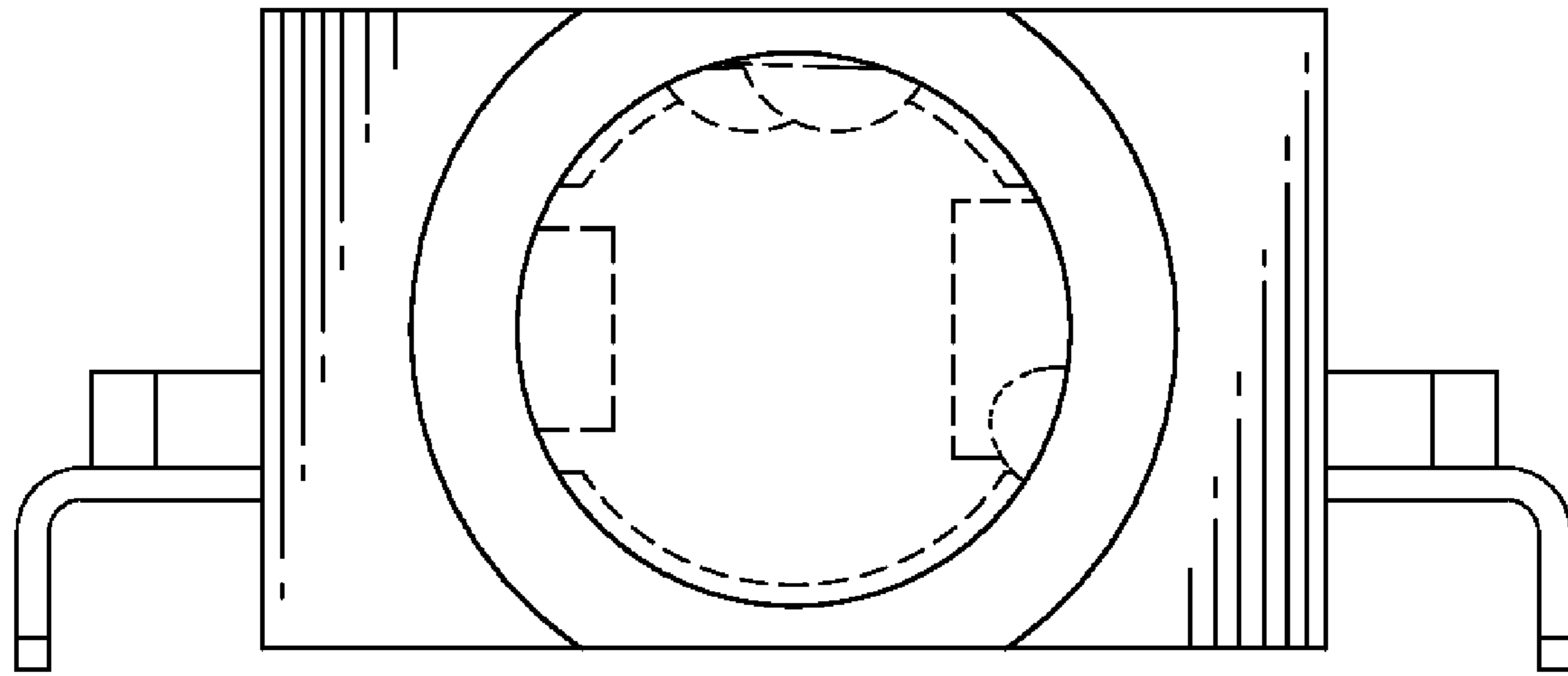


FIG. 2

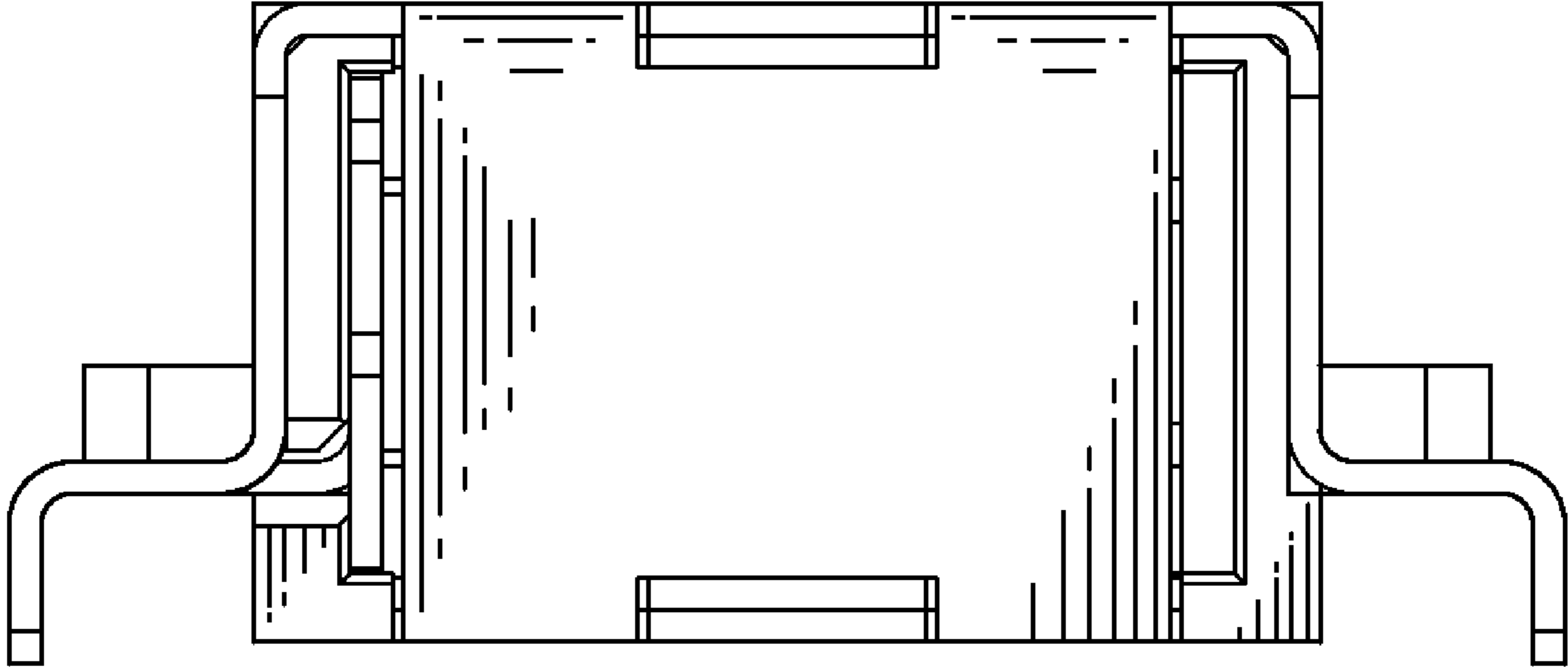


FIG. 3

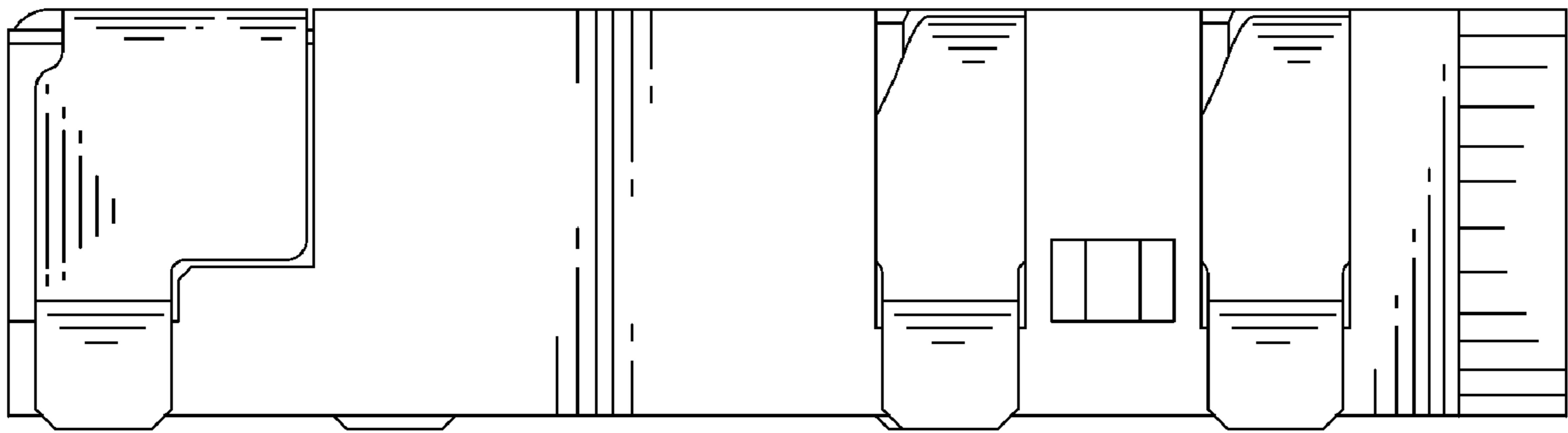


FIG. 4

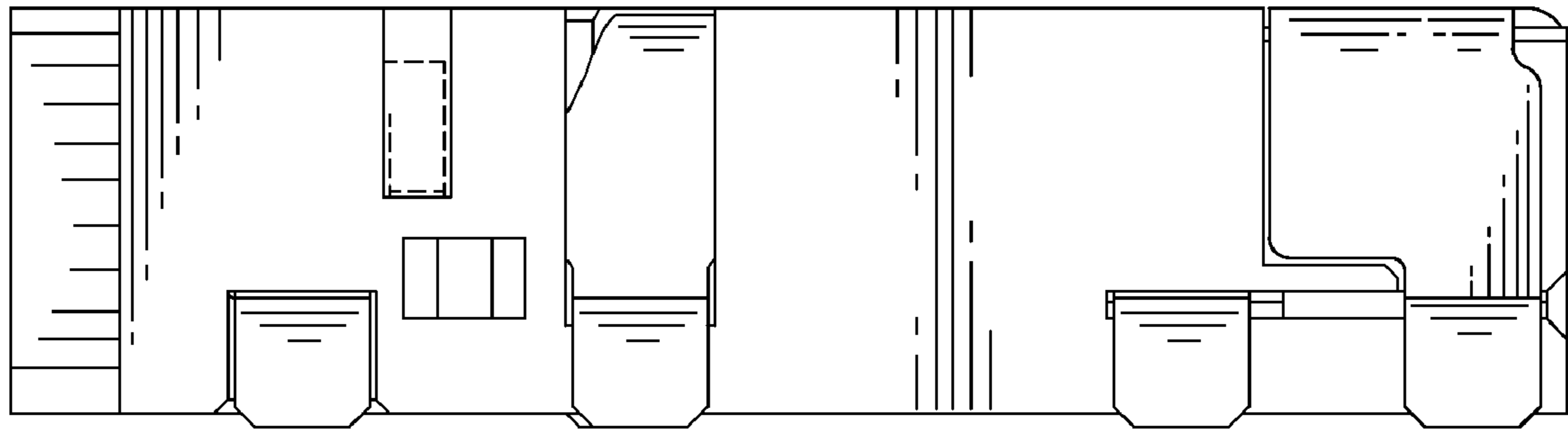


FIG. 5

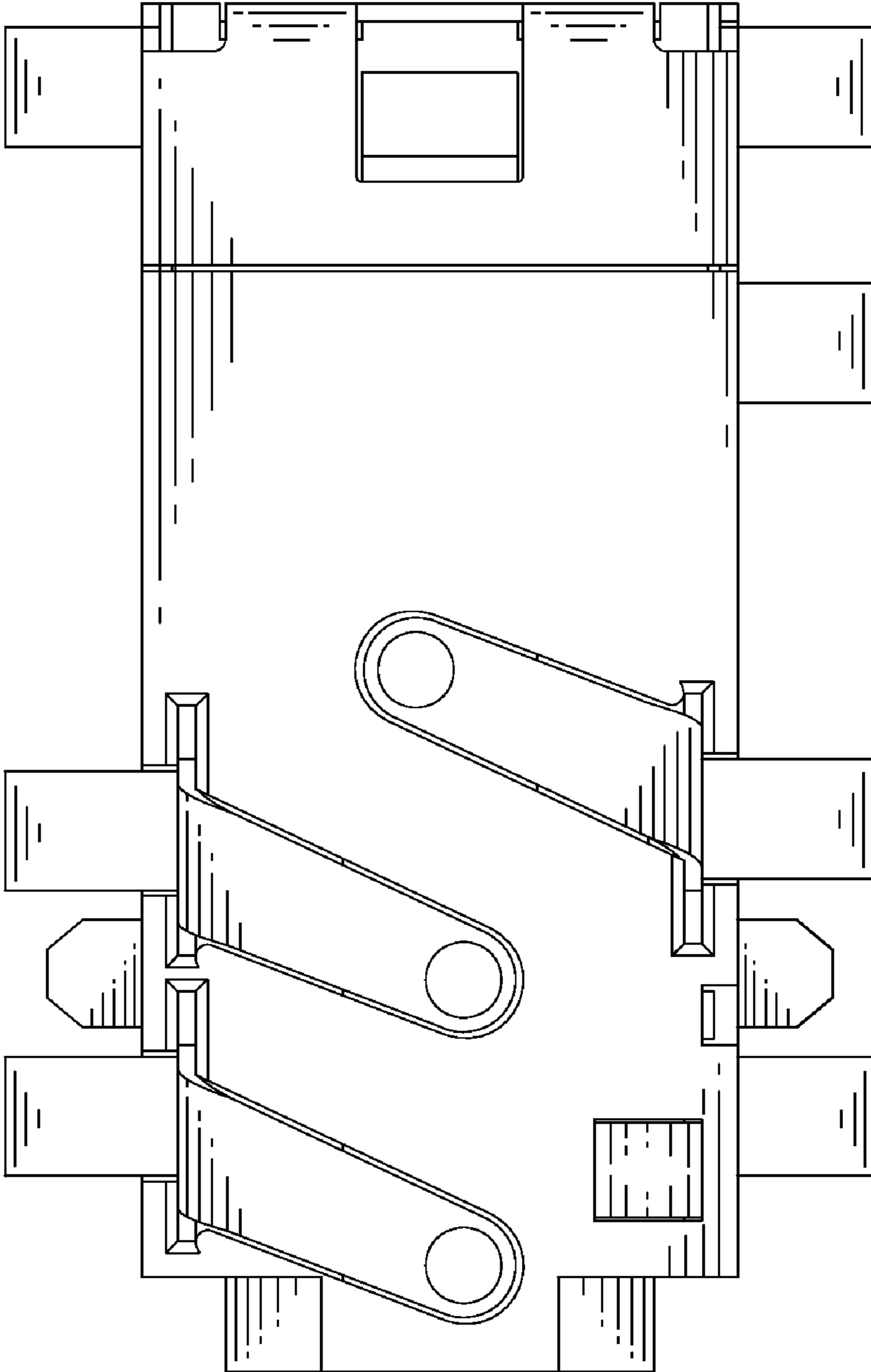


FIG. 6

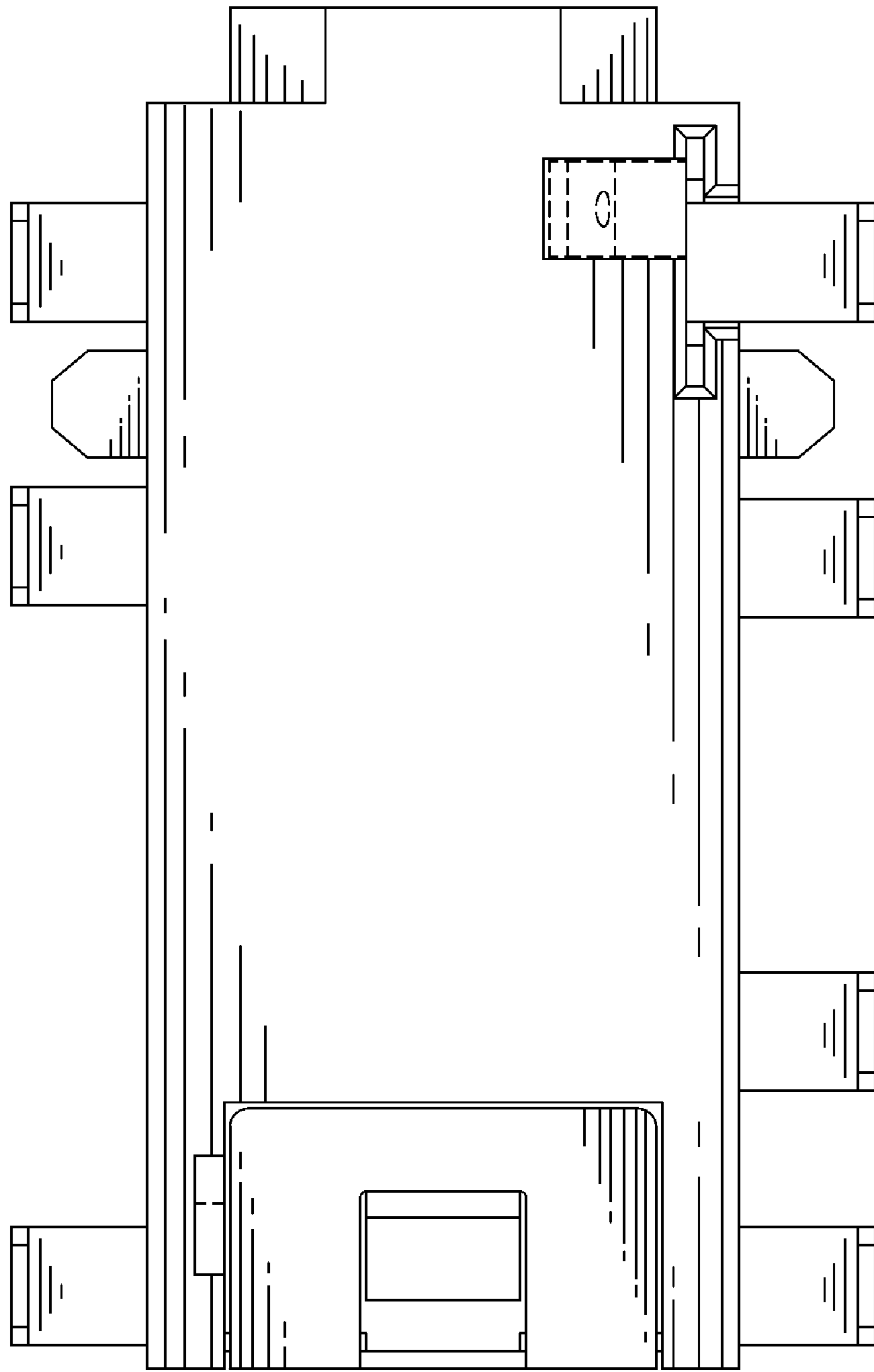


FIG. 7

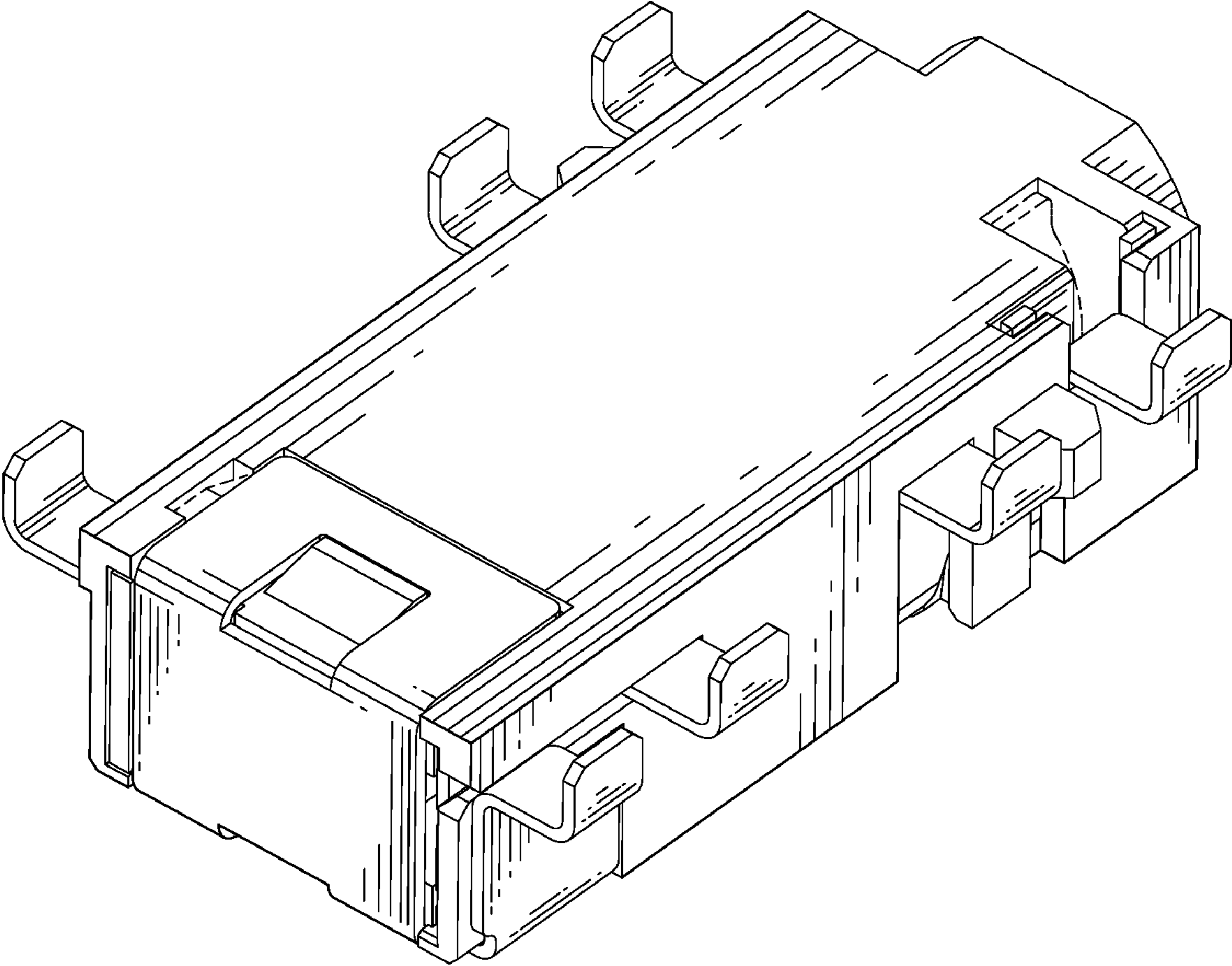


FIG. 8