



US00D618171S

(12) **United States Design Patent**
Tatehata et al.

(10) **Patent No.:** **US D618,171 S**
(45) **Date of Patent:** **** Jun. 22, 2010**

(54) **RECHARGEABLE BATTERY**

FOREIGN PATENT DOCUMENTS

(75) Inventors: **Shouji Tatehata**, Fukushima (JP);
Atsuhiko Kumagai, Tokyo (JP); **Osamu Nagashima**, Tokyo (JP); **Akiko Hikita**, Tokyo (JP)

AU 158108 S 6/2005

(Continued)

(73) Assignee: **Sony Corporation**, Tokyo (JP)

OTHER PUBLICATIONS

(**) Term: **14 Years**

Web Page Press Release “NP-BG1” <http://www.sony.jp/CorporateCruise/Press/200511/05-1101B/>, 5 pages, Sony (Nov. 2005).

(21) Appl. No.: **29/311,525**

Primary Examiner—Rosemary K Tarcza

(22) Filed: **Apr. 13, 2009**

(74) *Attorney, Agent, or Firm*—Rader, Fishman & Grauer PLLC

Related U.S. Application Data

(63) Continuation of application No. 29/300,684, filed on Apr. 25, 2008, now Pat. No. Des. 590,336, and a con-
(Continued)

(57) **CLAIM**

The ornamental design for a rechargeable battery, as shown and described.

(30) **Foreign Application Priority Data**

DESCRIPTION

Jan. 23, 2008	(JP)	D2008-001174
Jan. 23, 2008	(JP)	D2008-001176
Jan. 23, 2008	(JP)	D2008-001178
Jan. 23, 2008	(JP)	D2008-001183
Jan. 23, 2008	(JP)	D2008-001184
Jan. 23, 2008	(JP)	D2008-001185
Jan. 23, 2008	(JP)	D2008-001248

FIG. 1 is a perspective view of a rechargeable battery showing our new design;

FIG. 2 is a front elevational view thereof;

FIG. 3 is a top plan view thereof;

FIG. 4 is a bottom plan view thereof; and

FIG. 5 is a cross sectional view along lines 5—5 of FIGS. 2 and 3.

FIG. 6 is a perspective view of another embodiment of a rechargeable battery showing our new design;

FIG. 7 is a front elevational view thereof;

FIG. 8 is a top plan view thereof;

FIG. 9 is a bottom plan view thereof; and,

FIG. 10 is a cross sectional view along lines 10—10 of FIGS. 7 and 8.

(51) **LOC (9) Cl.** **13-03**

(52) **U.S. Cl.** **D13/119; D13/103**

(58) **Field of Classification Search** D13/103–106, D13/118–121, 133, 154, 146–147, 184, 199; 439/83, 108, 166, 217, 500, 577, 630, 660, 439/680, 700, 773.1, 754, 756, 774, 797, 439/862, 884, 907, 908; 429/96–100, 163, 429/186; 174/60, 176

See application file for complete search history.

Portions in broken lines are for illustrative purposes only and form no part of claimed design.

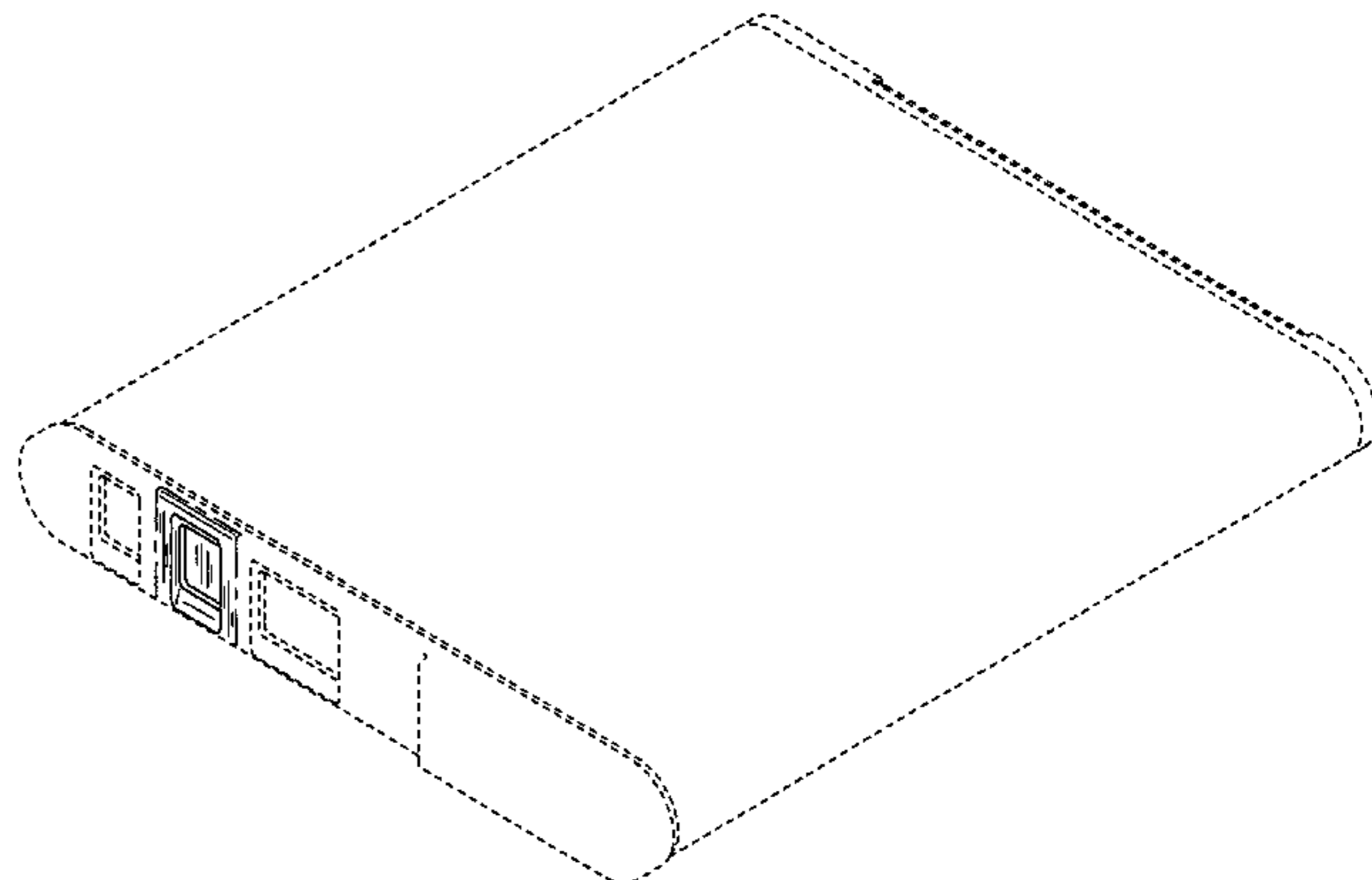
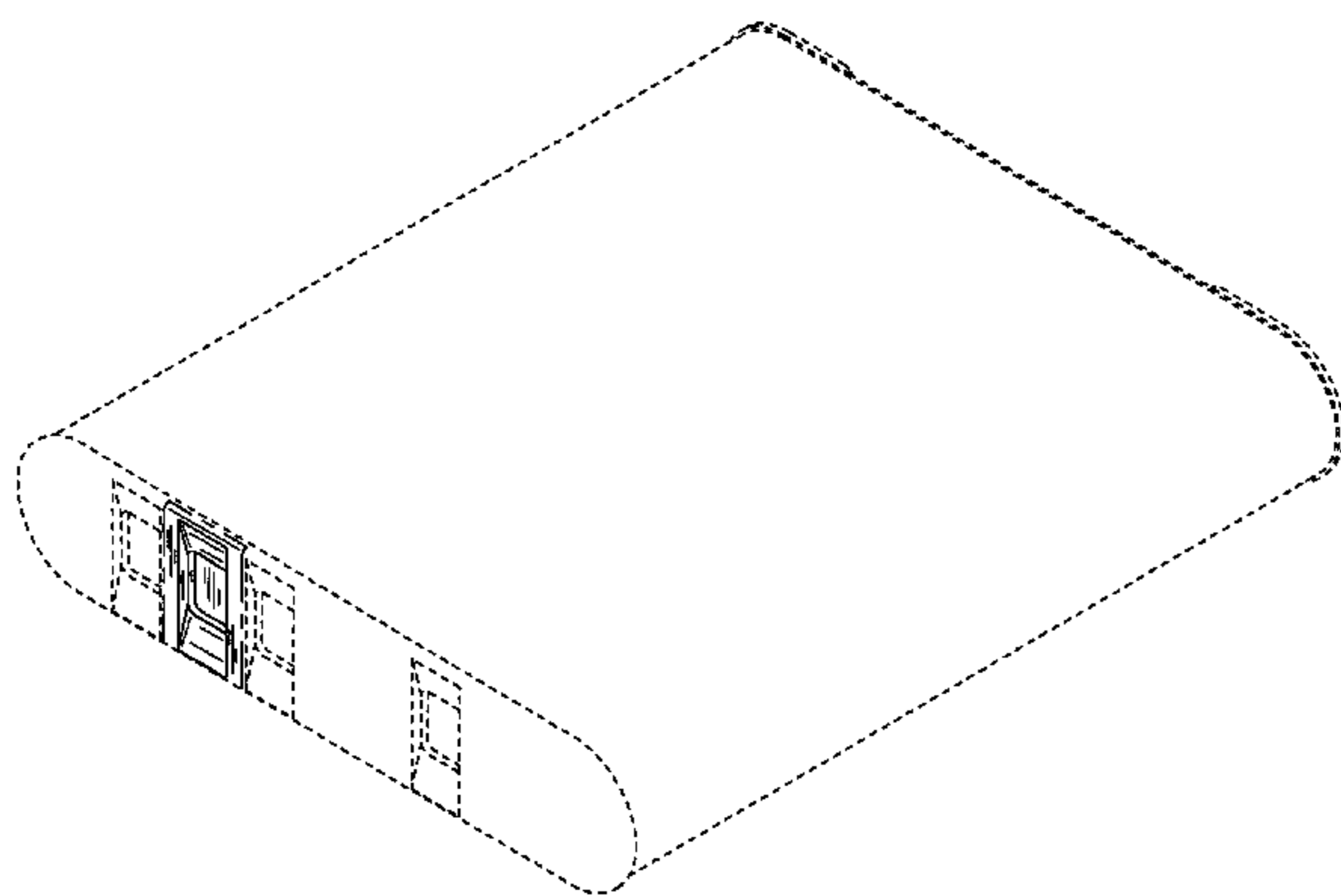
(56) **References Cited**

U.S. PATENT DOCUMENTS

1,075,556 A 10/1913 Fenoughty

(Continued)

1 Claim, 10 Drawing Sheets



Related U.S. Application Data

(63) tinuation of application No. 29/300,683, filed on Apr. 25, 2008, now Pat. No. Des. 590,769, and a continuation of application No. 29/300,682, filed on Apr. 25, 2008, now Pat. No. Des. 590,341, and a continuation of application No. 29/300,681, filed on Apr. 25, 2008, now Pat. No. Des. 590,335, and a continuation of application No. 29/300,680, filed on Apr. 25, 2008, now Pat. No. Des. 592,130, and a continuation of application No. 29/300,679, filed on Apr. 25, 2008, now Pat. No. Des. 590,334, and a continuation of application No. 29/300,690, filed on Apr. 25, 2008, now Pat. No. Des. 590,337.

6,447,949	B2	9/2002	Iwata et al.
D464,617	S	10/2002	Reynolds
D480,682	S	10/2003	Kawase
D481,995	S	11/2003	Yokota
D486,784	S	2/2004	Kawasaki
D492,267	S	6/2004	Kawajiri et al.
D504,109	S	4/2005	Hagman et al.
D509,182	S	9/2005	Takeshita et al.
D516,018	S	2/2006	Ohsako et al.
D516,019	S	2/2006	Ohsako et al.
D516,503	S	3/2006	Takeshita et al.
D529,437	S	10/2006	Miyashita et al.
D537,034	S	2/2007	Kang et al.
D538,222	S	3/2007	Curello et al.
D544,438	S	6/2007	Hussaini et al.
D548,684	S	8/2007	Eto et al.
D556,687	S	12/2007	Miyamoto et al.
D558,671	S	1/2008	Chen
D559,176	S	1/2008	Ueda
D561,093	S	2/2008	Sween et al.
D561,687	S	2/2008	Sween et al.
D568,244	S	5/2008	Suzuki et al.
D590,335	S *	4/2009	Tatehata et al. D13/103
D590,341	S *	4/2009	Tatehata et al. D13/119

(56)

References Cited

U.S. PATENT DOCUMENTS

D243,618	S	3/1977	Kaye
D250,529	S	12/1978	Kaye
D356,776	S	3/1995	Yoshii
D362,424	S	9/1995	Sumita et al.
D370,201	S	5/1996	Okano et al.
D377,477	S	1/1997	Harata et al.
5,736,271	A	4/1998	Cisar et al.
D400,493	S	11/1998	Witkowski et al.
D400,496	S	11/1998	Barber et al.
D417,187	S	11/1999	Maeyama
D417,188	S	11/1999	Maeyama
D426,190	S	6/2000	Higgins et al.
D428,384	S	7/2000	Maeyama

FOREIGN PATENT DOCUMENTS

JP	D1287897	S	12/2006
JP	D1290911	S	1/2007
KR	D30-0383665	S	6/2005
TW	D109438	S	3/2006
TW	D119866	S	11/2007

* cited by examiner

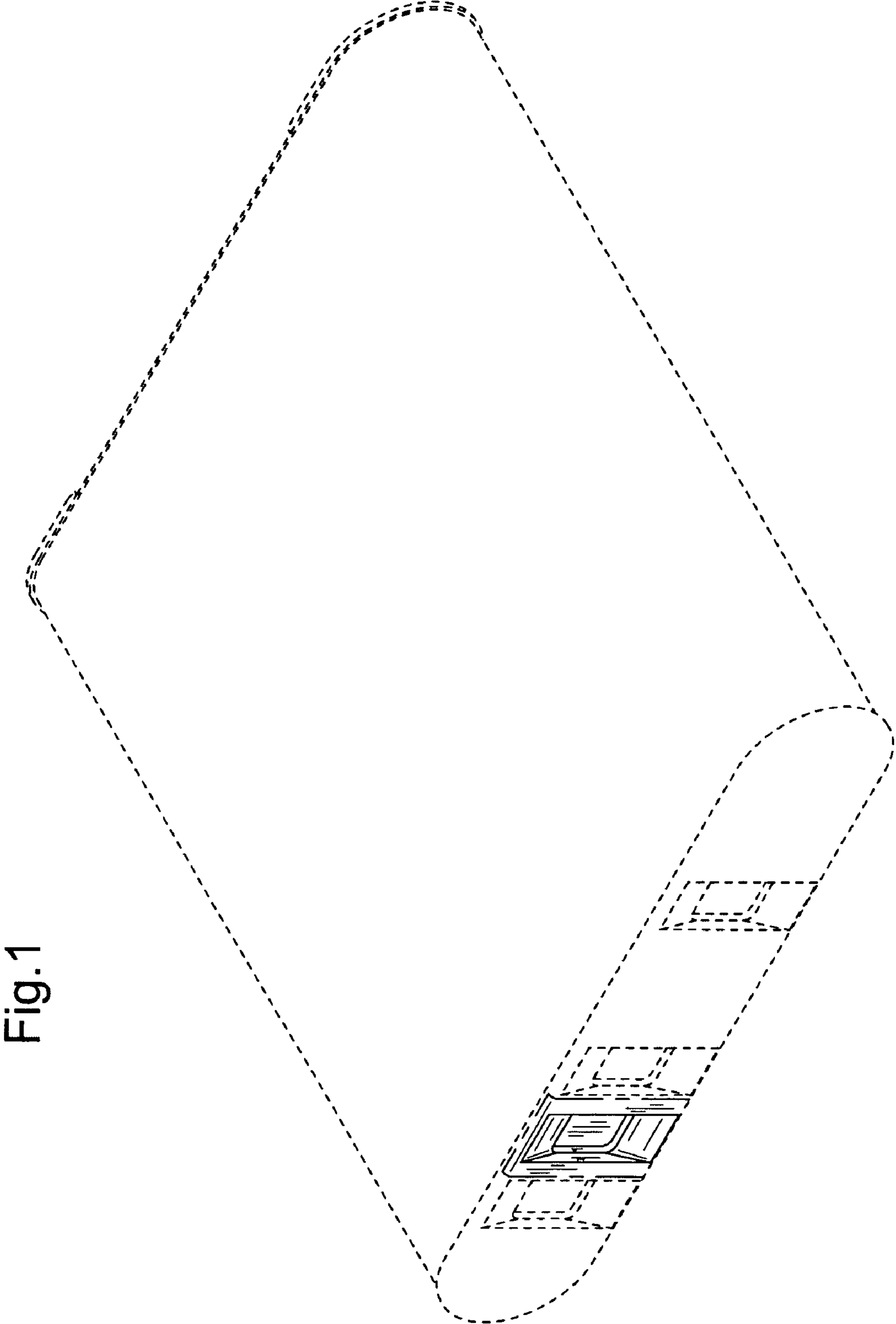


Fig. 1

Fig.2

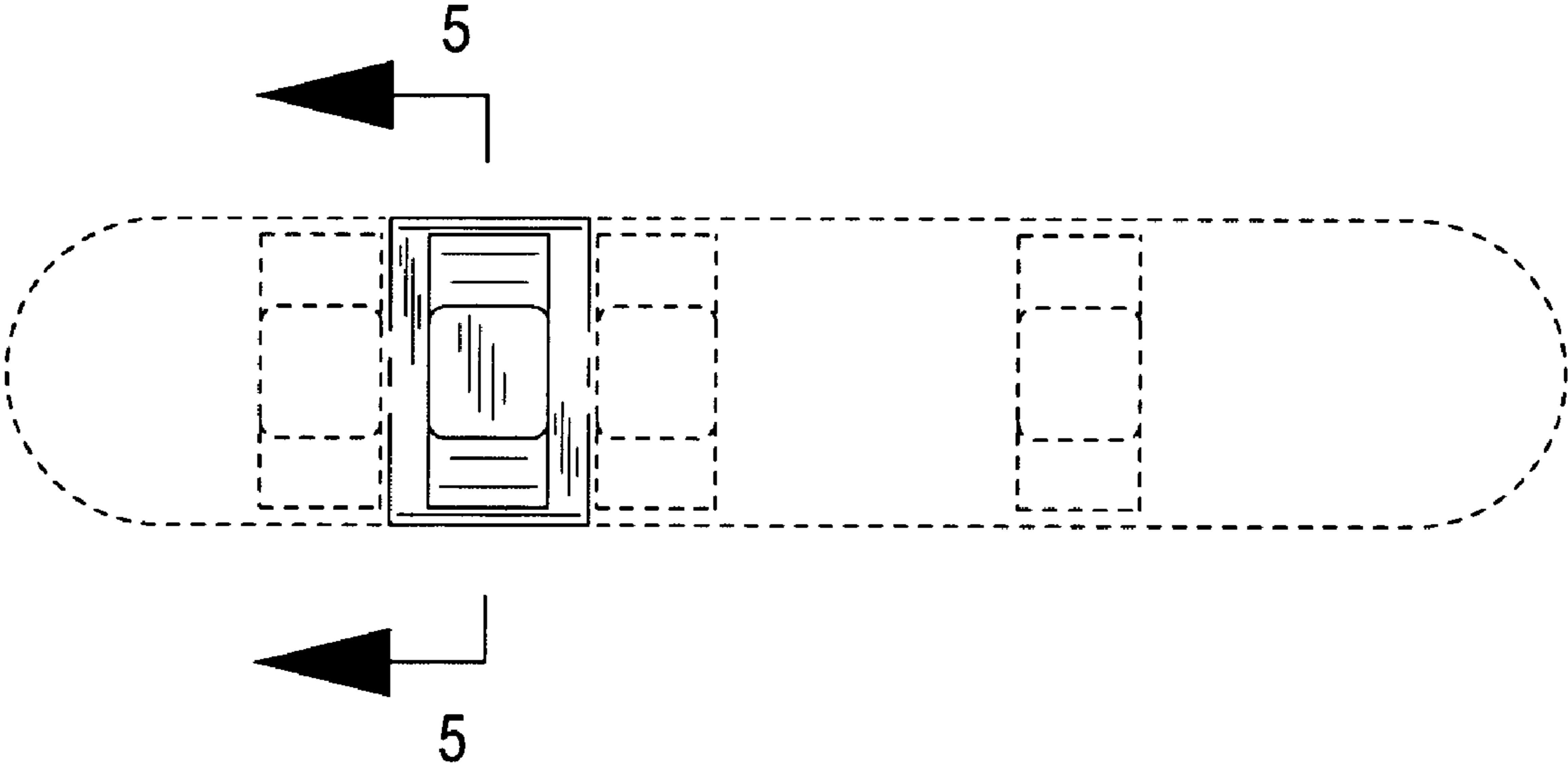


Fig.3

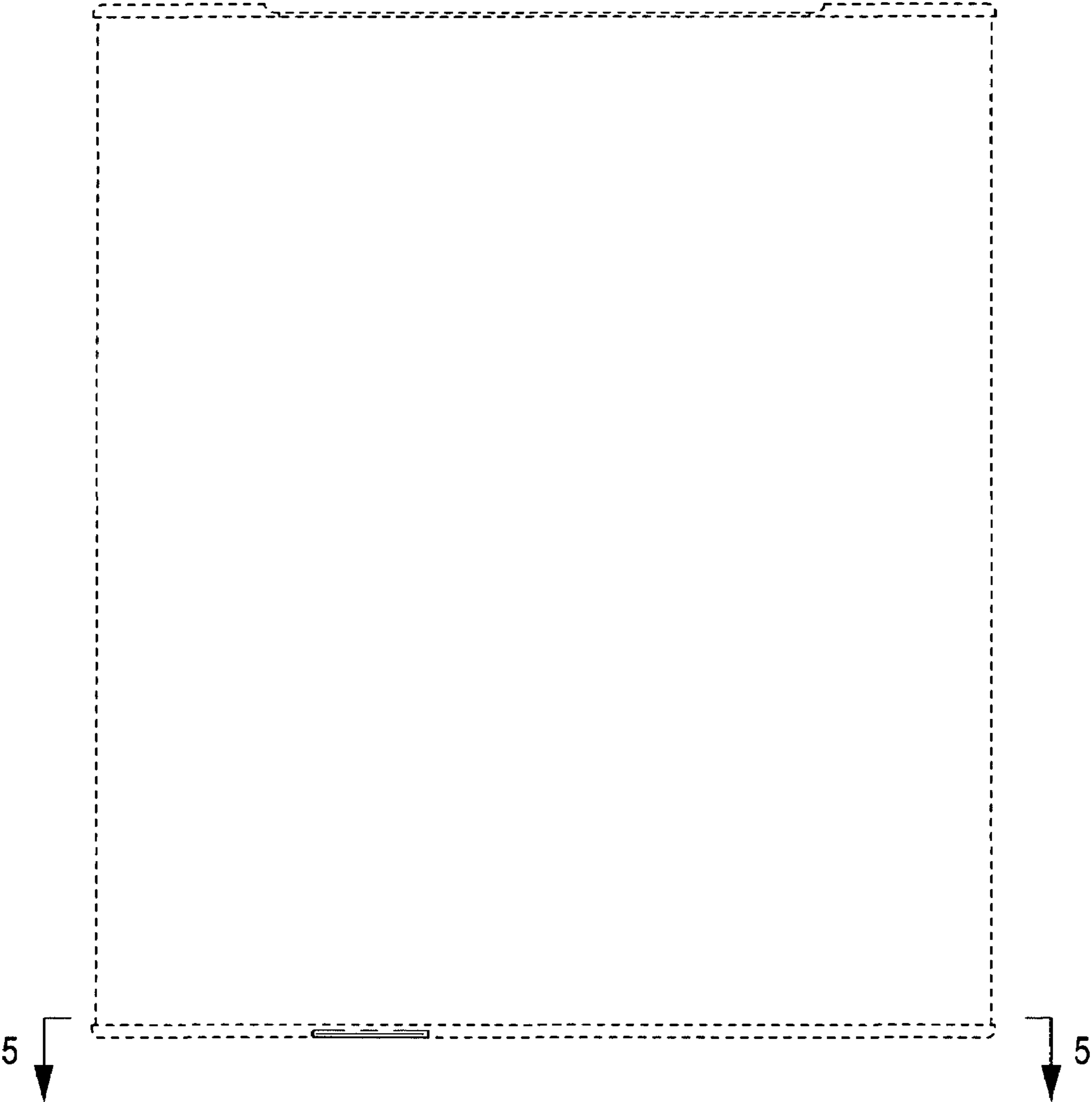


Fig.4

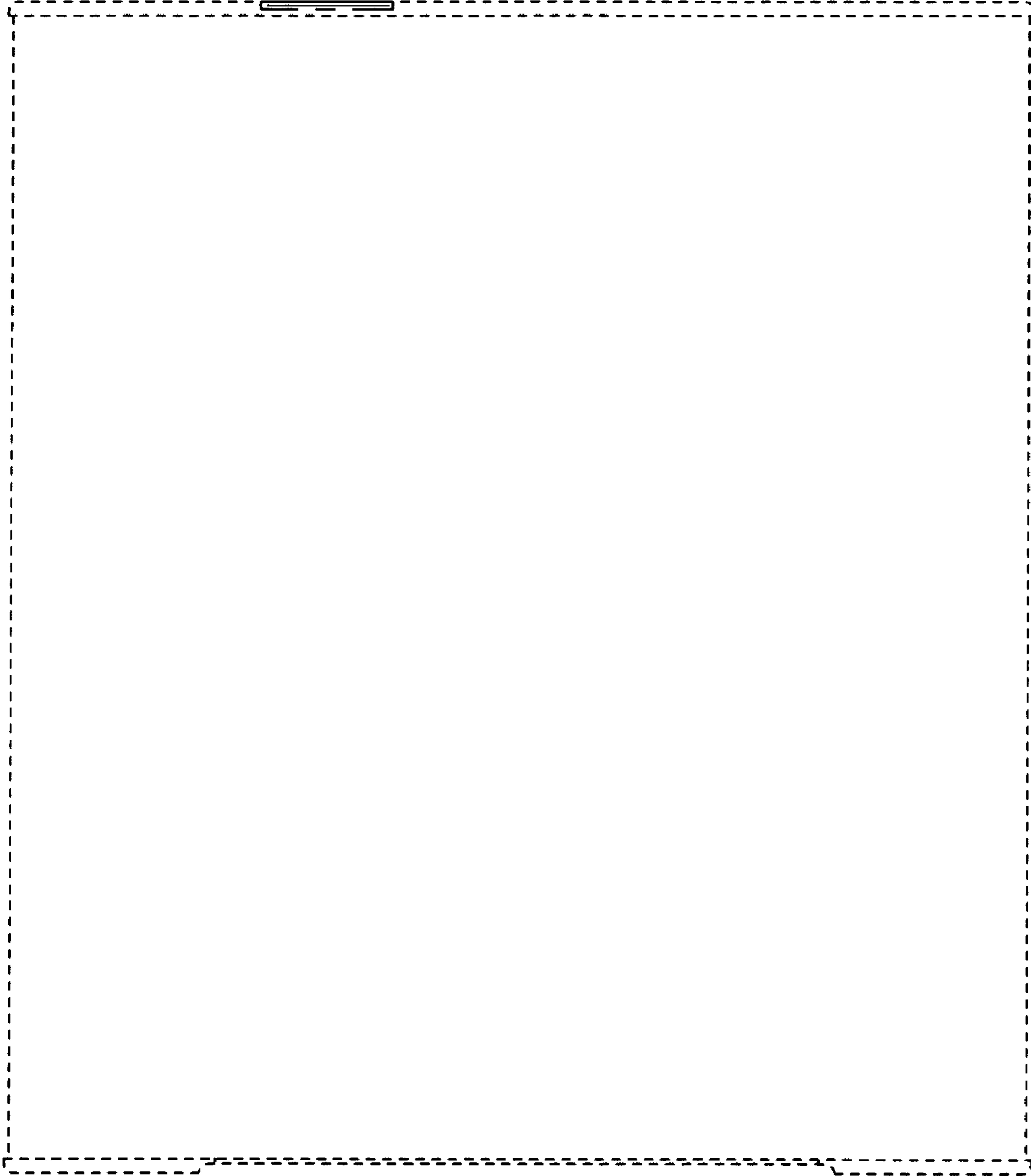
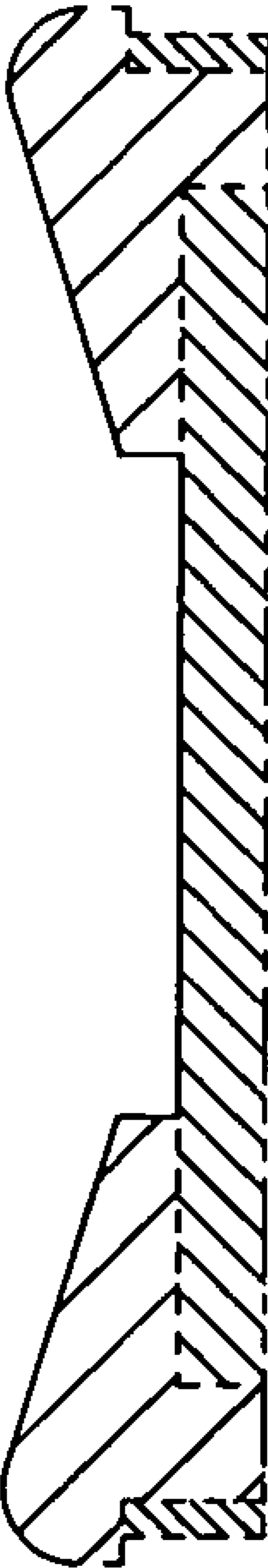


Fig.5



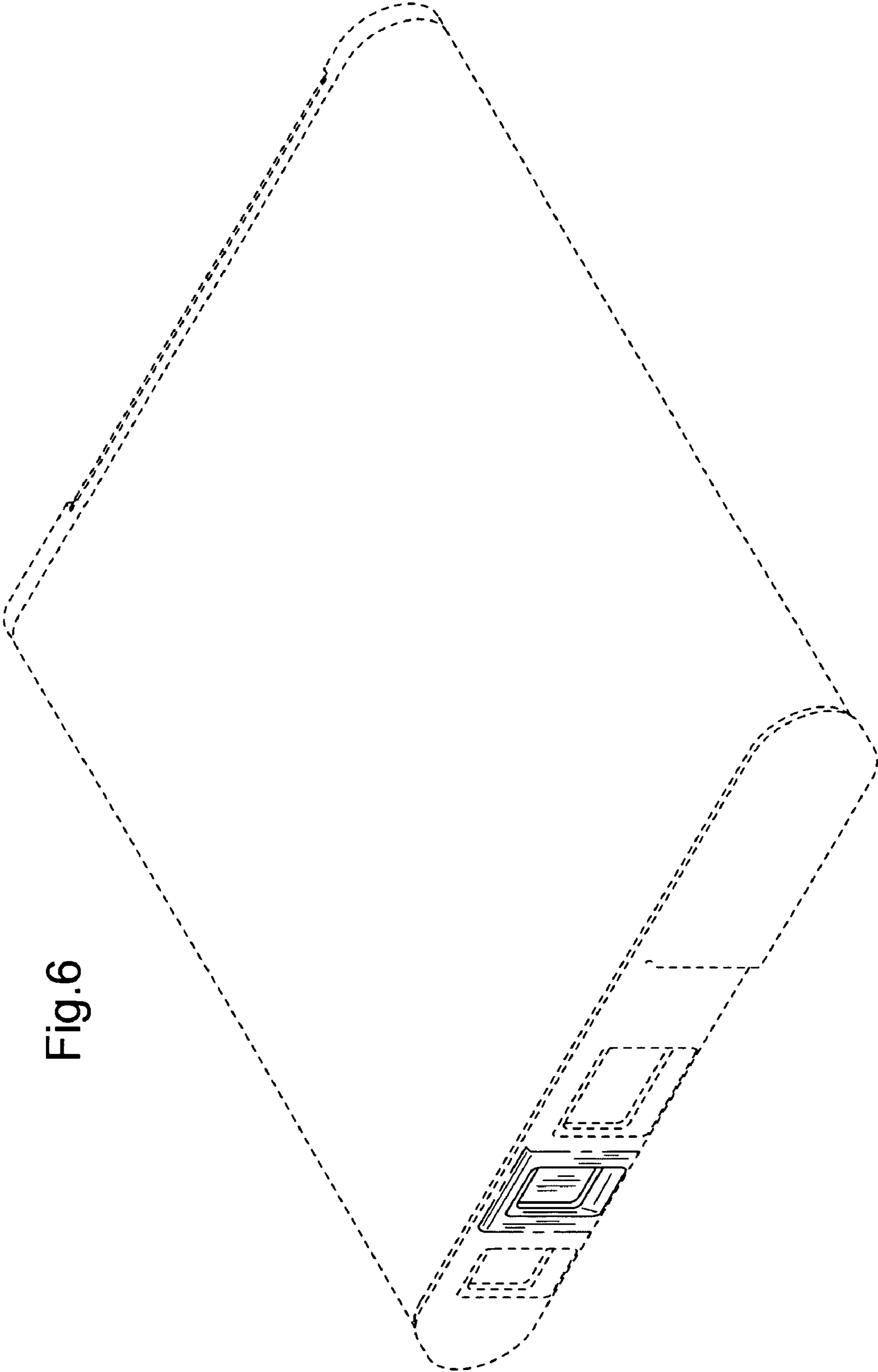


Fig. 6

Fig.7

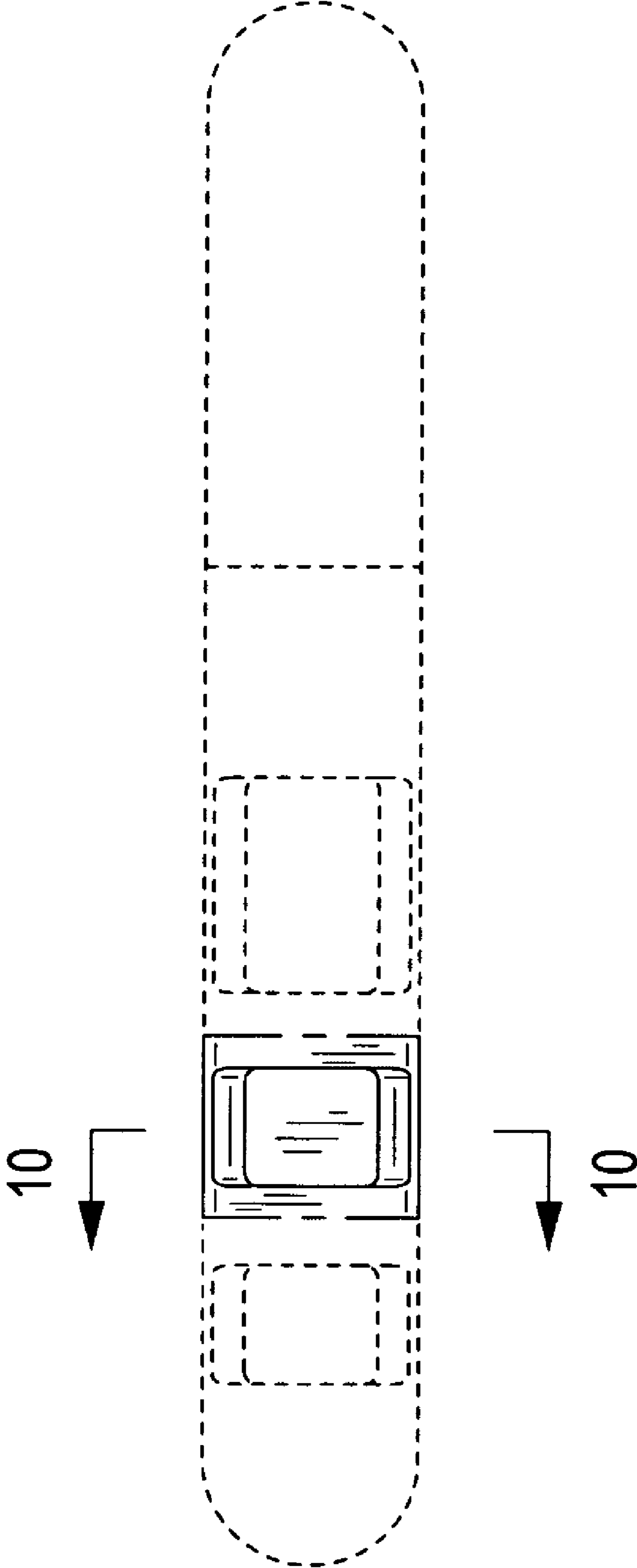


Fig.8

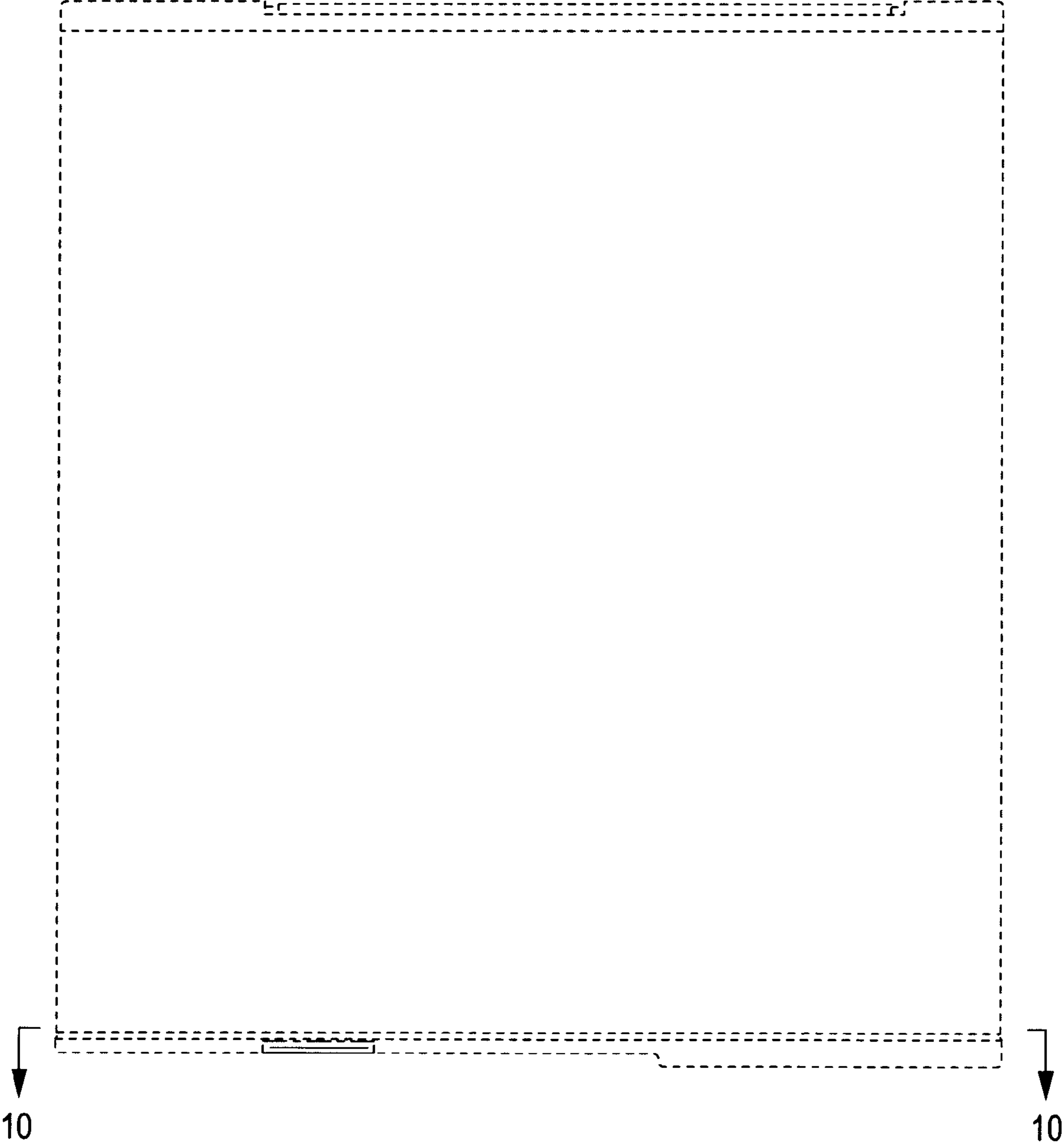


Fig.9

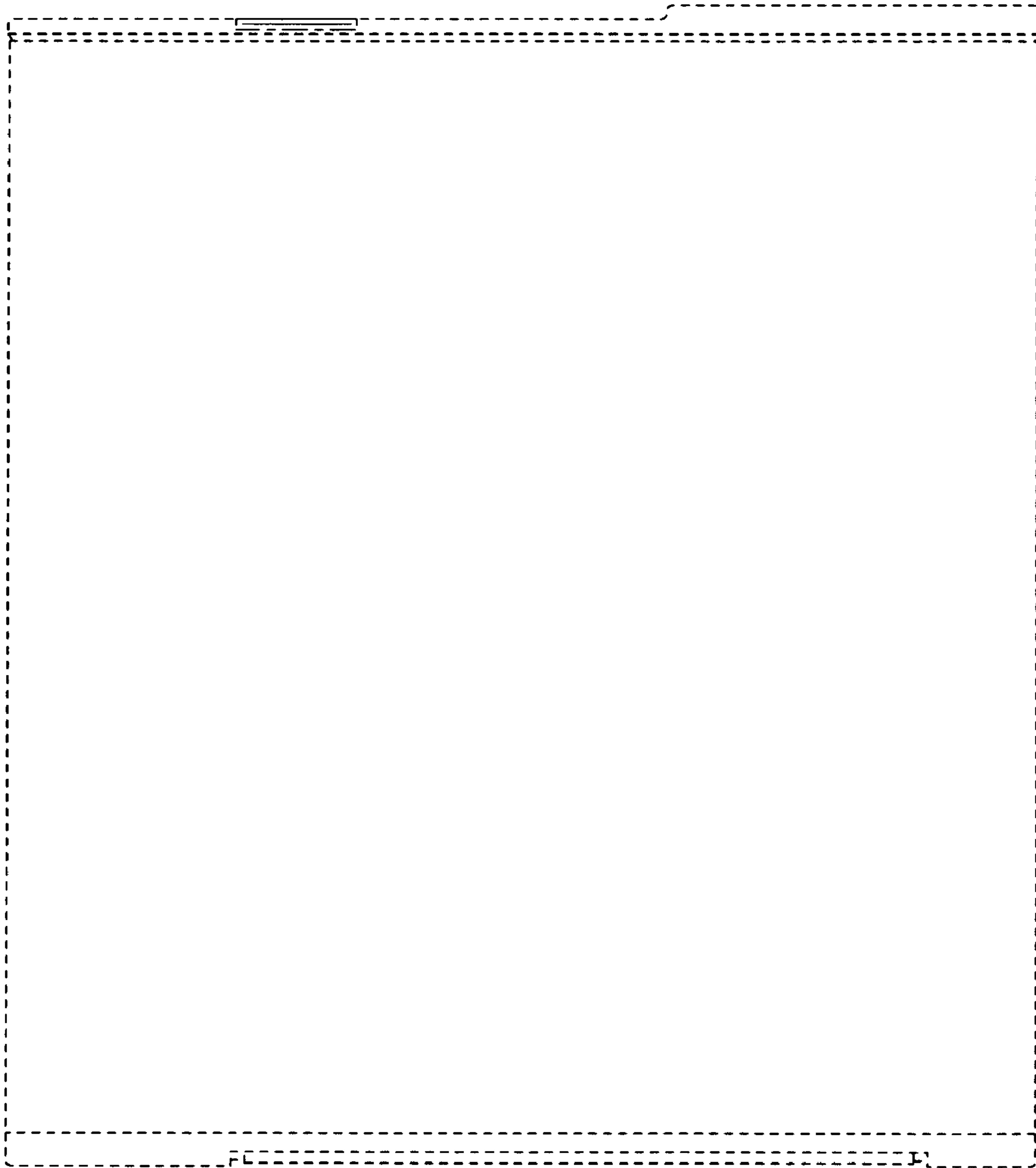


Fig. 10

