



US00D618170S

(12) **United States Design Patent**
Miller

(10) **Patent No.:** **US D618,170 S**
(45) **Date of Patent:** **** Jun. 22, 2010**

(54) **ELECTRIC GENERATOR**

D587,194 S 2/2009 Pourkermani

(75) Inventor: **Gerald Miller**, Skokie, IL (US)

(73) Assignee: **C. E. Niehoff & Co.**, Evanston, IL (US)

(**) Term: **14 Years**

(21) Appl. No.: **29/316,779**

(22) Filed: **Oct. 29, 2009**

(51) **LOC (9) Cl.** **13-01**

(52) **U.S. Cl.** **D13/114**

(58) **Field of Classification Search** D13/114,
D13/112, 113, 122, 184, 199; D15/1, 5;
290/36 R, 38 R, 39; 310/10, 20, 40 R, 40 MM,
310/42, 75 R, 88, 89, 98, 109, 114
See application file for complete search history.

(56) **References Cited**

U.S. PATENT DOCUMENTS

D207,401 S *	4/1967	Andrews et al.	D13/114
D314,550 S *	2/1991	Sieber	D13/114
D314,742 S *	2/1991	Sieber	D13/114
5,696,415 A *	12/1997	Fujimoto et al.	310/89
D398,285 S	9/1998	Becker et al.		
D398,286 S	9/1998	Becker et al.		
5,914,549 A *	6/1999	Adachi et al.	310/89
D425,020 S	5/2000	Becker et al.		
D467,541 S *	12/2002	Hemphill	D13/114
D548,696 S	8/2007	Pourkermani et al.		
D563,870 S	3/2008	Naghshineh		
D563,871 S	3/2008	Becker et al.		
D568,811 S *	5/2008	Andersson et al.	D13/114
D568,812 S *	5/2008	Andersson et al.	D13/114
D574,325 S	8/2008	Naghshineh		

OTHER PUBLICATIONS

U.S. Appl. No. 29/312,574, filed Oct. 29, 2008, Becker et al.
C.E. Niehoff & Co. Brushless Alternators Product Catalog, 2001, pp.
6-23, U.S.A., U.K.
C.E. Niehoff & Co. Brushless Alternators, 2009 <http://www.ceniehoff.com>.

* cited by examiner

Primary Examiner—Prabhakar Deshmukh

Assistant Examiner—Derrick Holland

(74) *Attorney, Agent, or Firm*—Law Offices of Michael M. Ahmadshahi

(57) **CLAIM**

The ornamental design for an electric generator, as shown and described.

DESCRIPTION

FIG. 1 is a front view of an electric generator according to the present invention.

FIG. 2 is a rear view thereof.

FIG. 3 is a first side view thereof.

FIG. 4 is a second side view thereof.

FIG. 5 is a top view thereof.

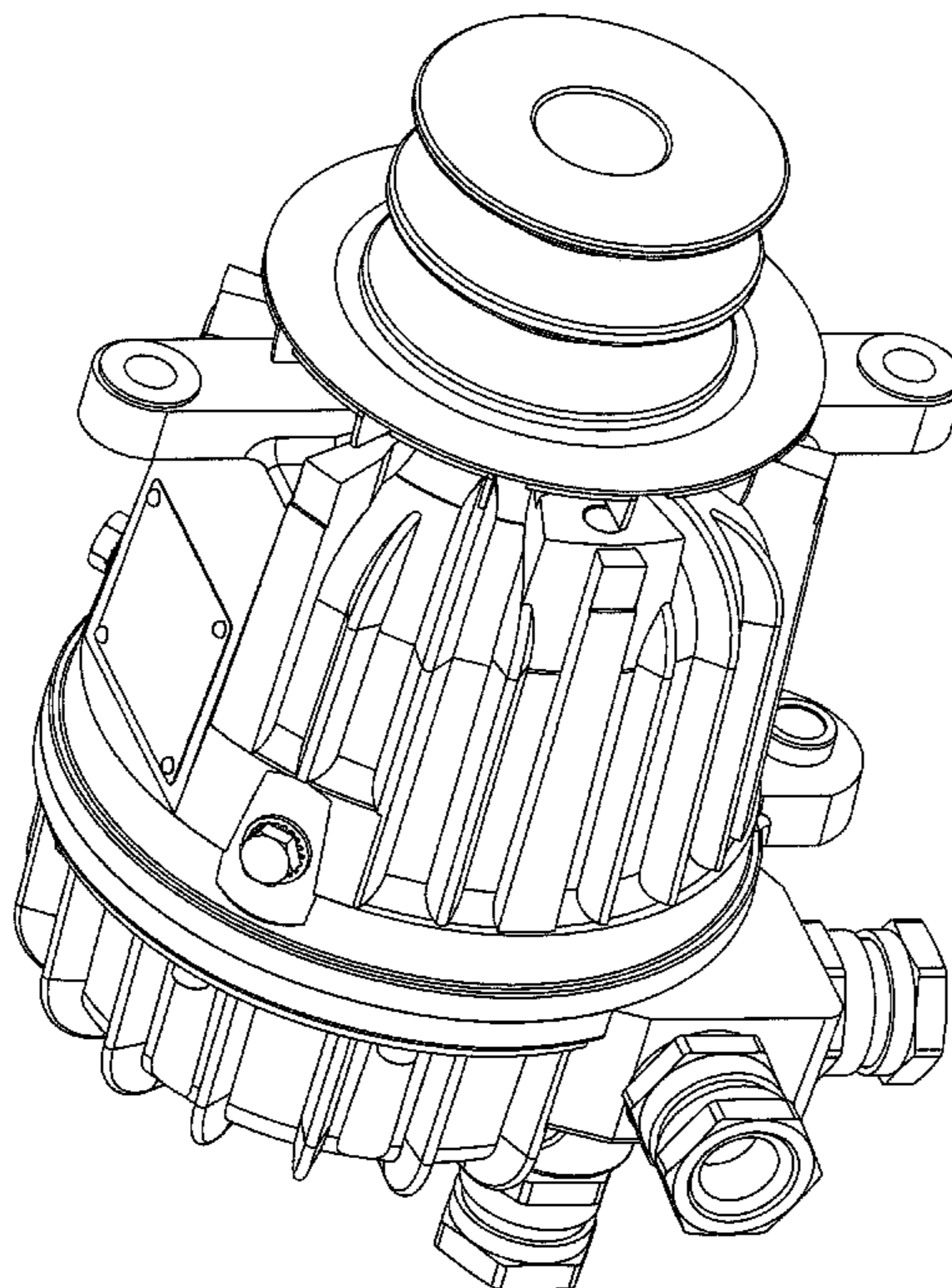
FIG. 6 is a bottom view thereof.

FIG. 7 is a first isometric view thereof; and,

FIG. 8 is a second isometric view thereof.

The broken lines showing are for illustrative purposes and form no part of the claimed design.

1 Claim, 8 Drawing Sheets



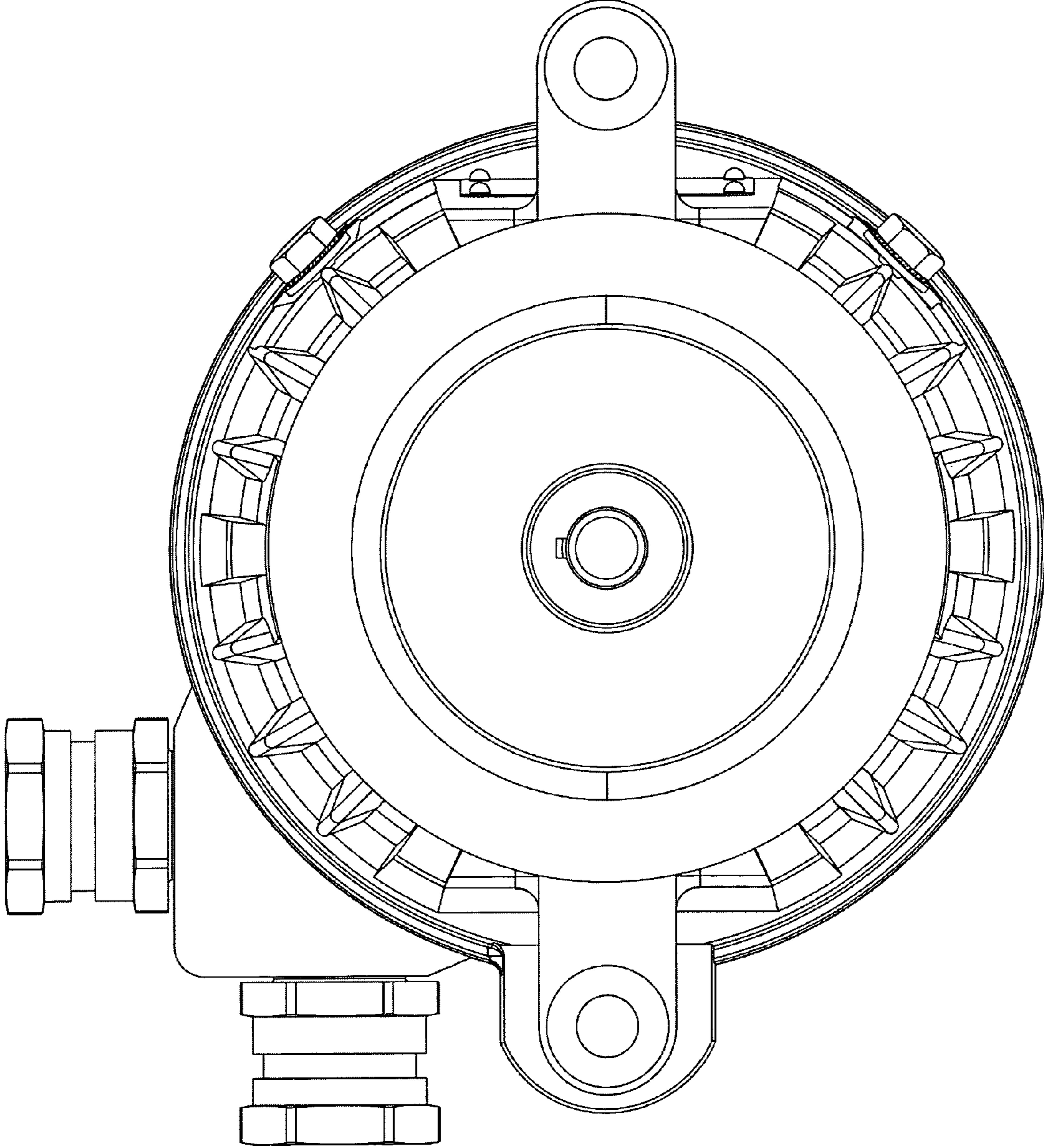


FIG. 1

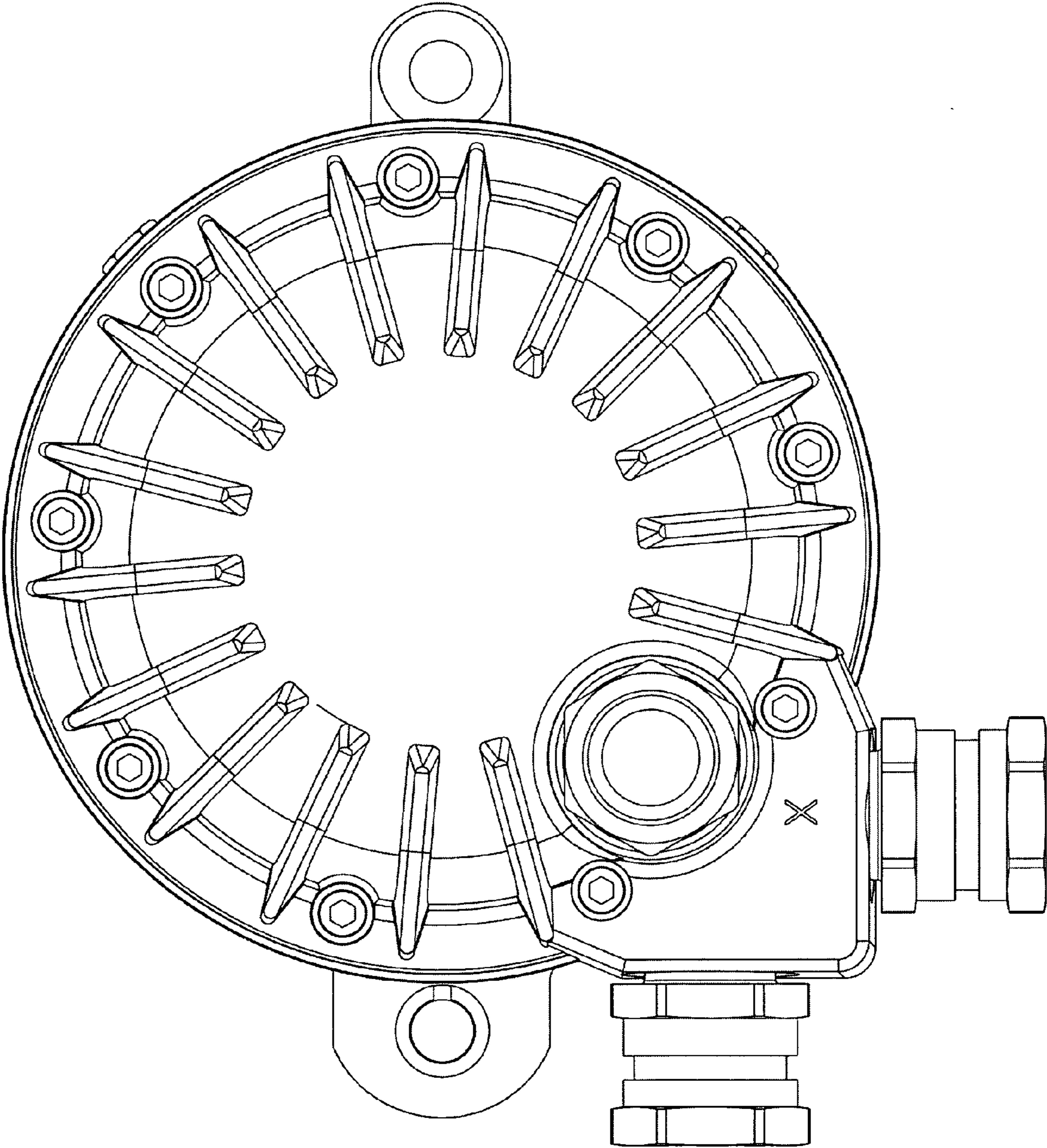


FIG. 2

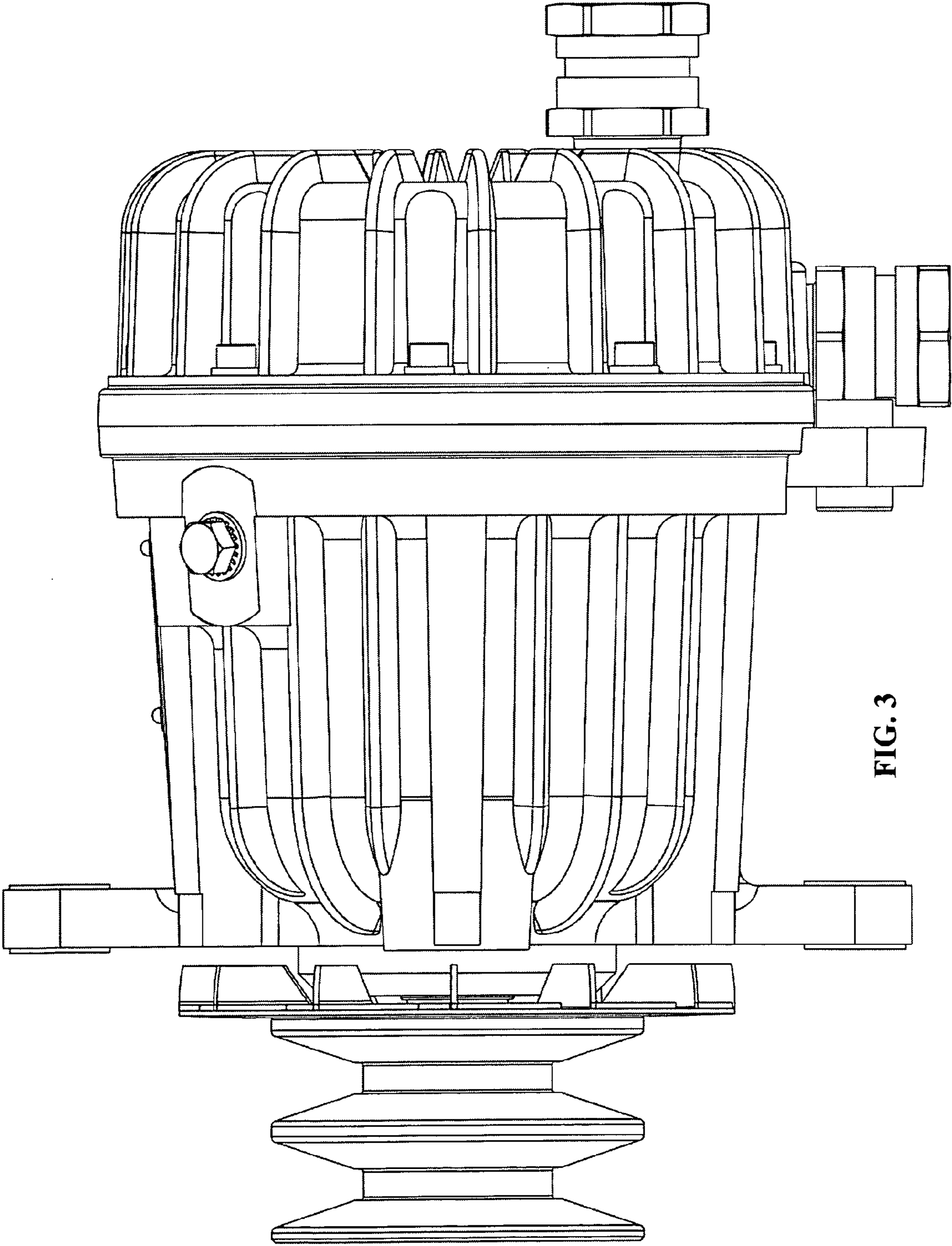


FIG. 3

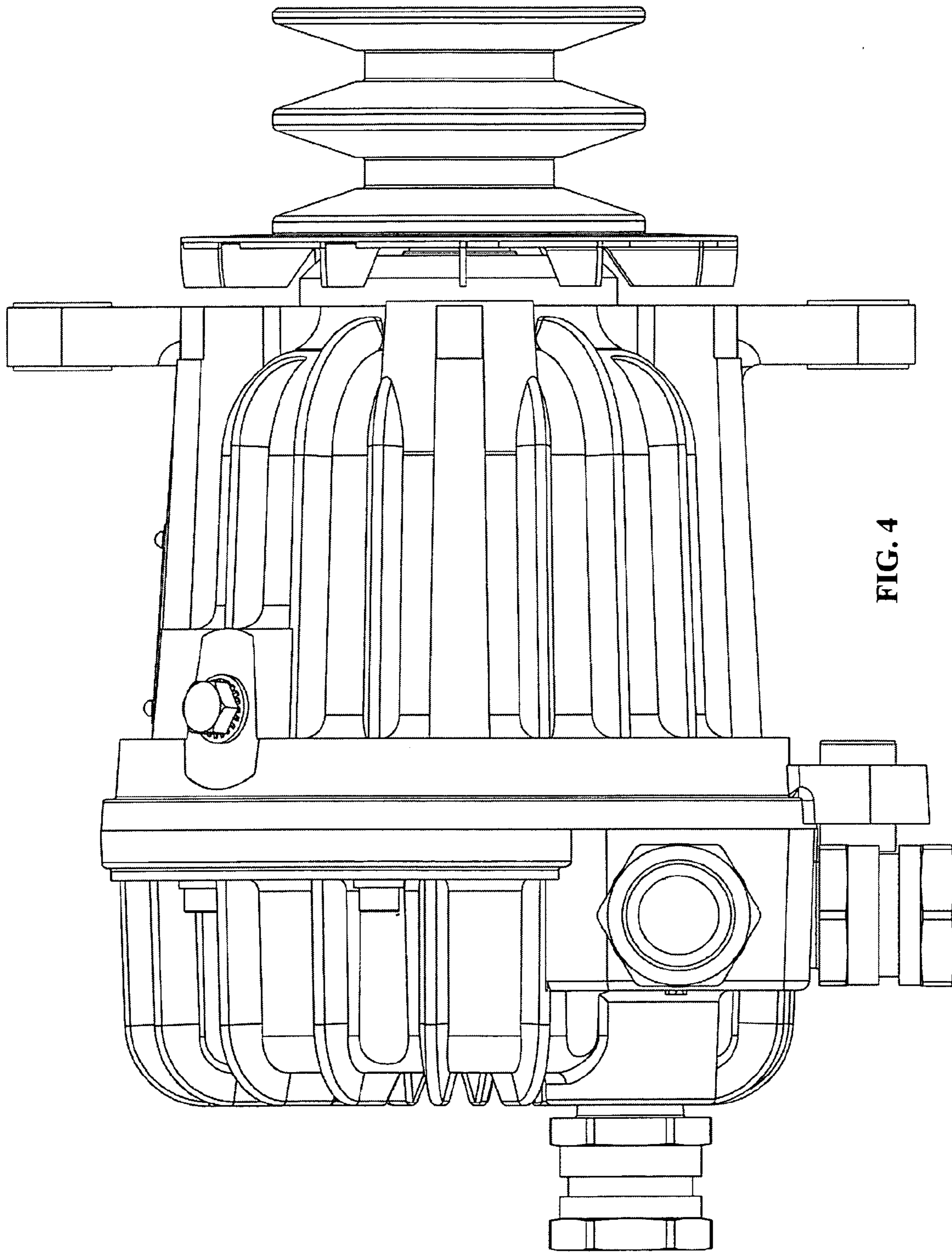


FIG. 4

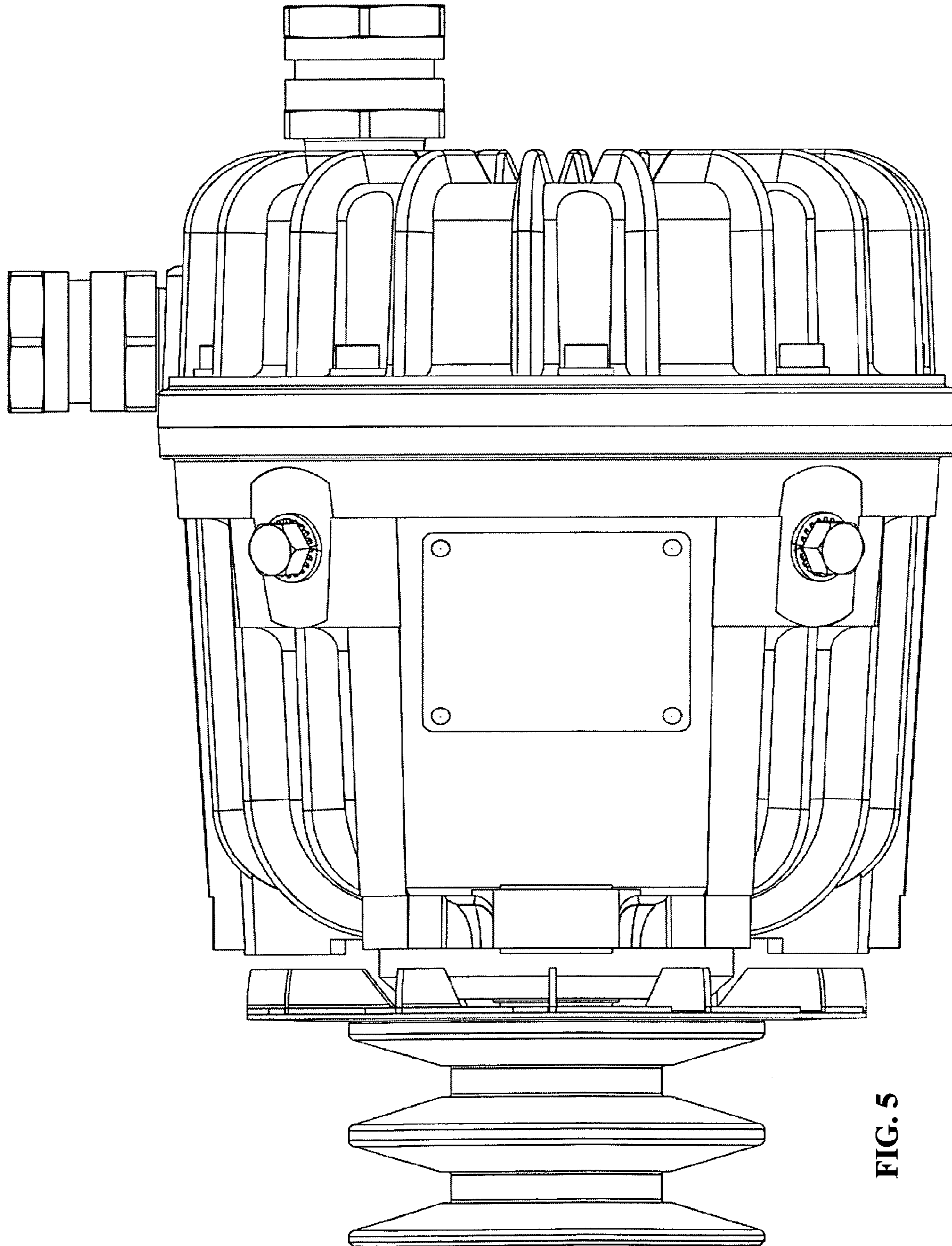


FIG. 5

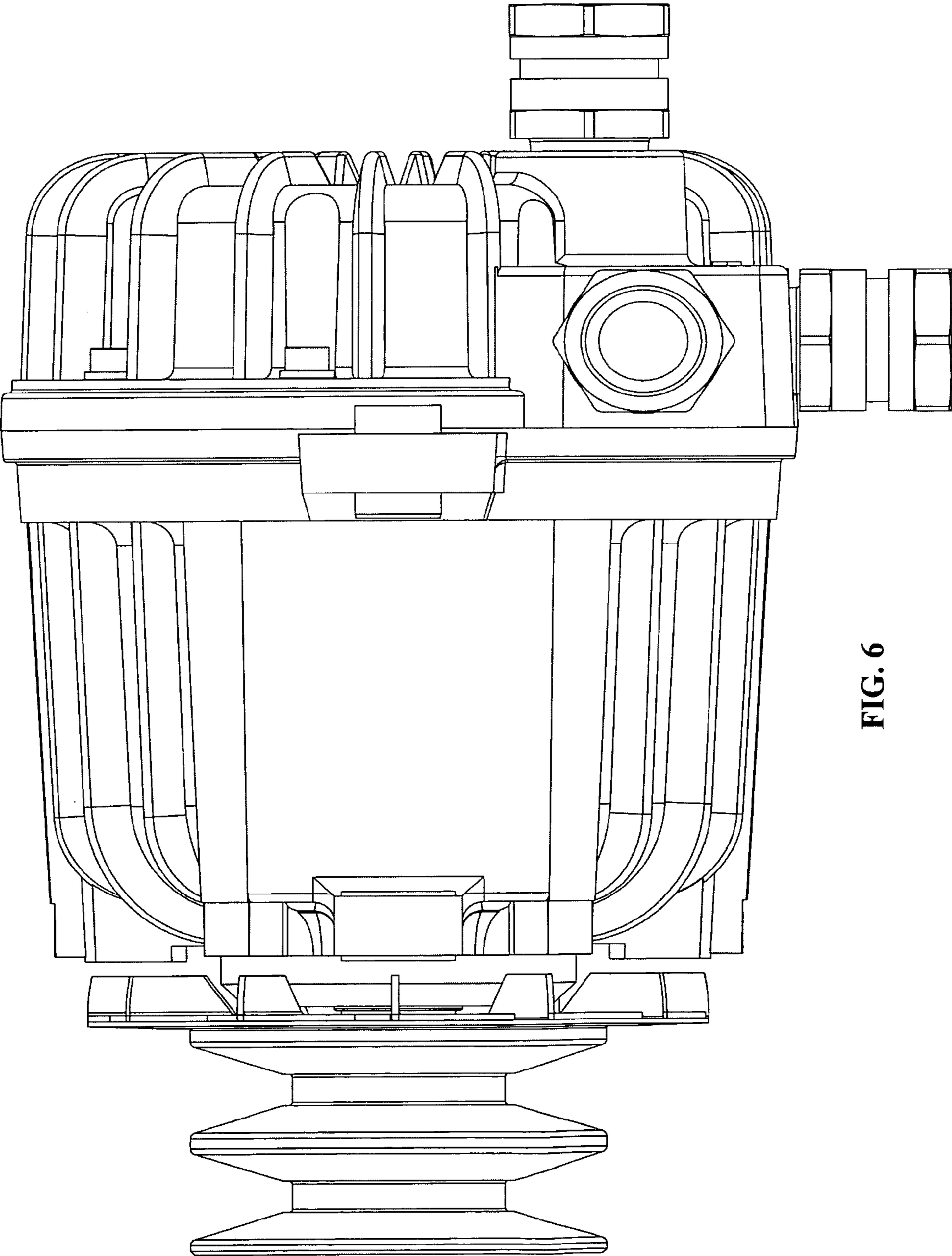


FIG. 6

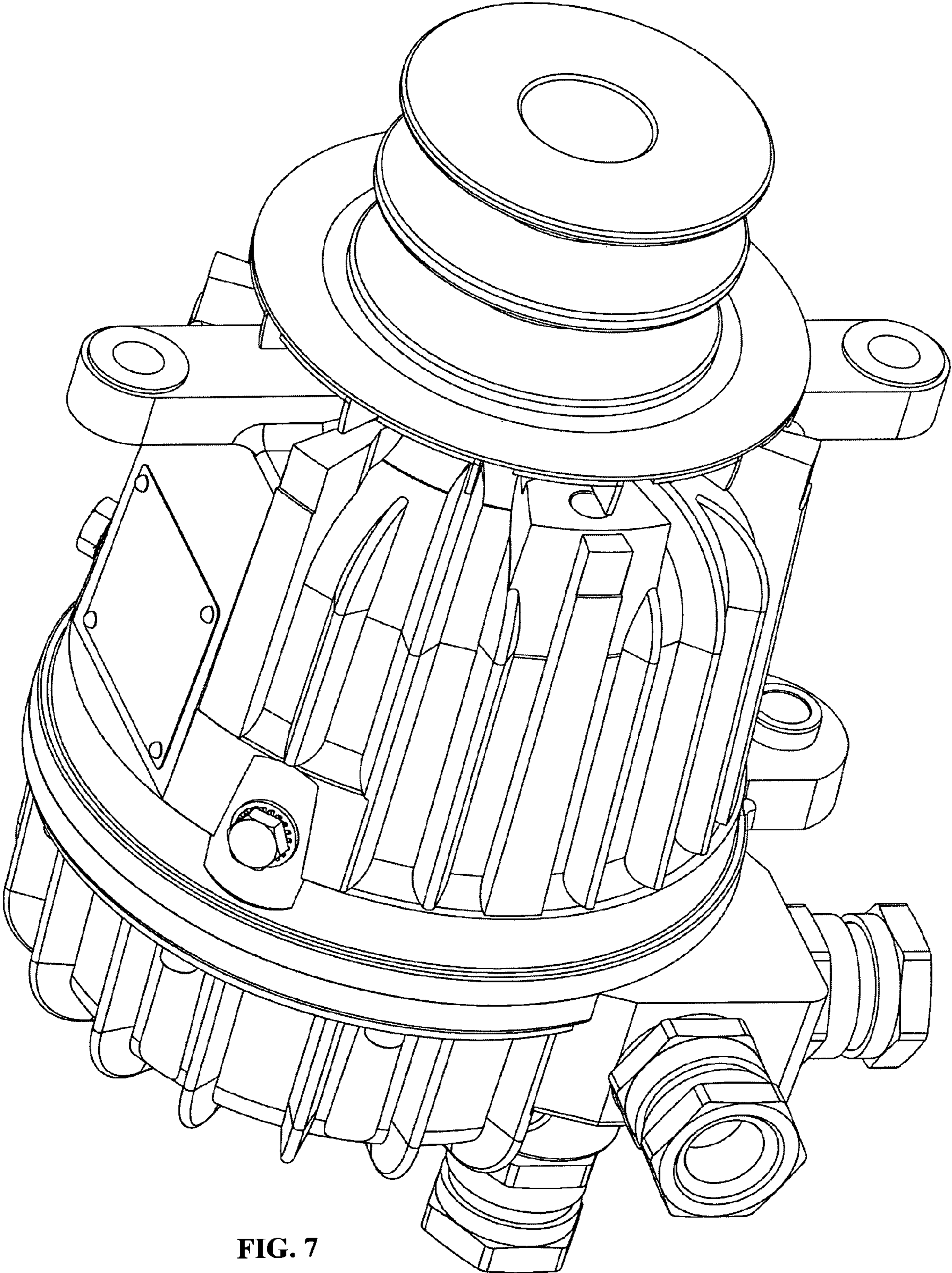


FIG. 7

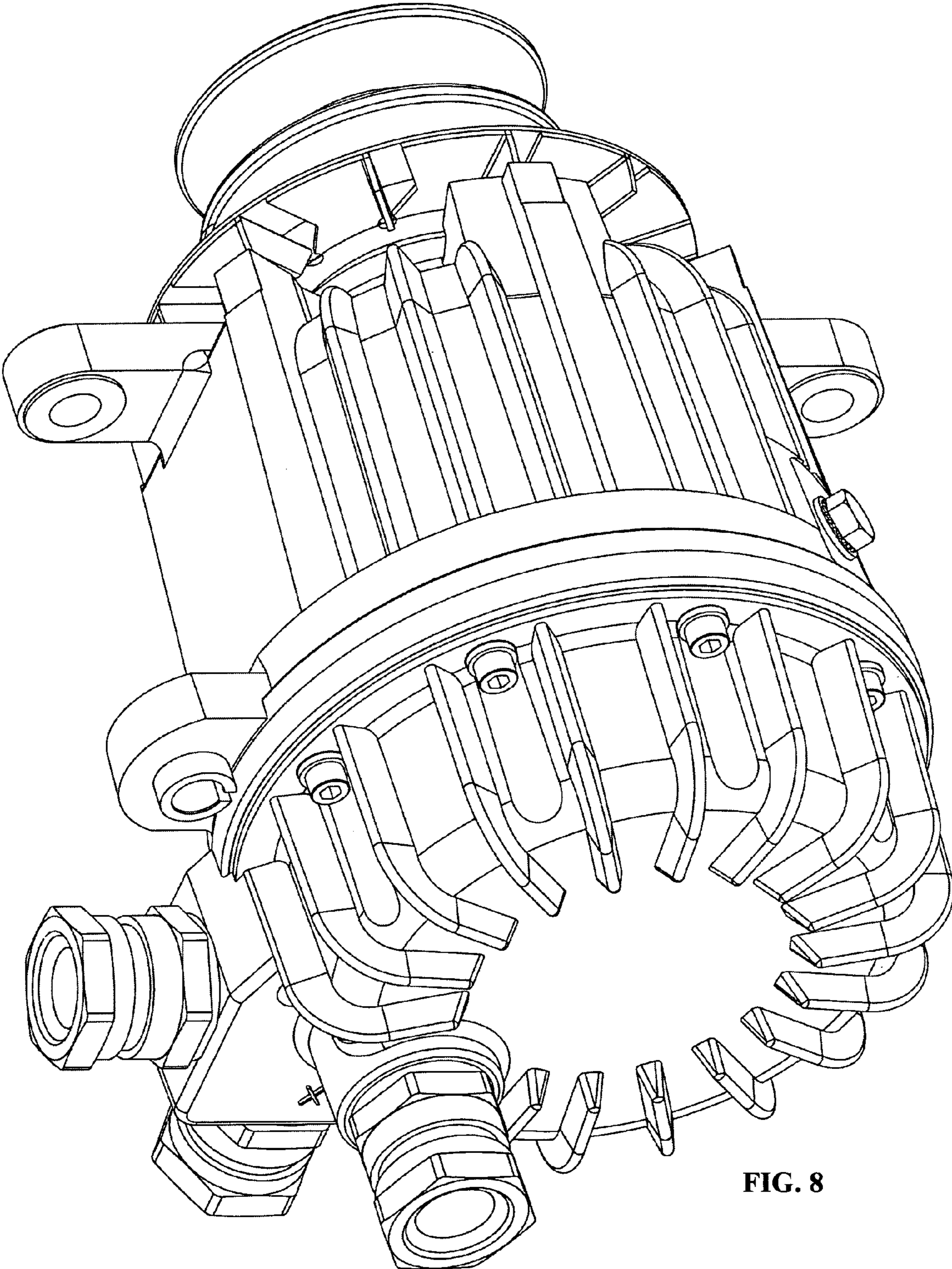


FIG. 8