



US00D618167S

(12) **United States Design Patent**
Tiffe

(10) **Patent No.:** **US D618,167 S**
(45) **Date of Patent:** **** Jun. 22, 2010**

(54) **BATTERY PACK**

(75) Inventor: **Johanna Tiffe**, Berlin (DE)

(73) Assignee: **Olimpia Kerekpargarto Kft.**,
Budapest (HU)

(**) Term: **14 Years**

(21) Appl. No.: **29/338,121**

(22) Filed: **Jun. 4, 2009**

(51) **LOC (9) Cl.** **13-02**

(52) **U.S. Cl.** **D13/103**

(58) **Field of Classification Search** D13/110,
D13/103, 107, 108, 118, 123, 133, 184, 199;
307/149, 150, 151, 154; 361/600, 601; 429/55,
429/90, 92, 163, 177, 178

See application file for complete search history.

(56) **References Cited**

U.S. PATENT DOCUMENTS

- 4,194,060 A * 3/1980 Scholl et al. 429/67
- D349,682 S * 8/1994 Hunziker D13/110
- 5,942,351 A * 8/1999 Van Lerberghe 429/55
- D425,017 S * 5/2000 Leung D13/110

D568,241 S * 5/2008 Heine et al. D13/110

FOREIGN PATENT DOCUMENTS

EM 000896279-0002 S 6/2008

* cited by examiner

Primary Examiner—Prabhakar Deshmukh

Assistant Examiner—Derrick Holland

(74) *Attorney, Agent, or Firm*—Teresa D. Tambolas;
Pattishall, McAuliffe, Newbury, Hilliard & Geraldson LLP

(57) **CLAIM**

The ornamental design for a battery pack, as shown and described.

DESCRIPTION

FIG. 1 is a front, top perspective view of a battery pack;

FIG. 2 is a front view thereof;

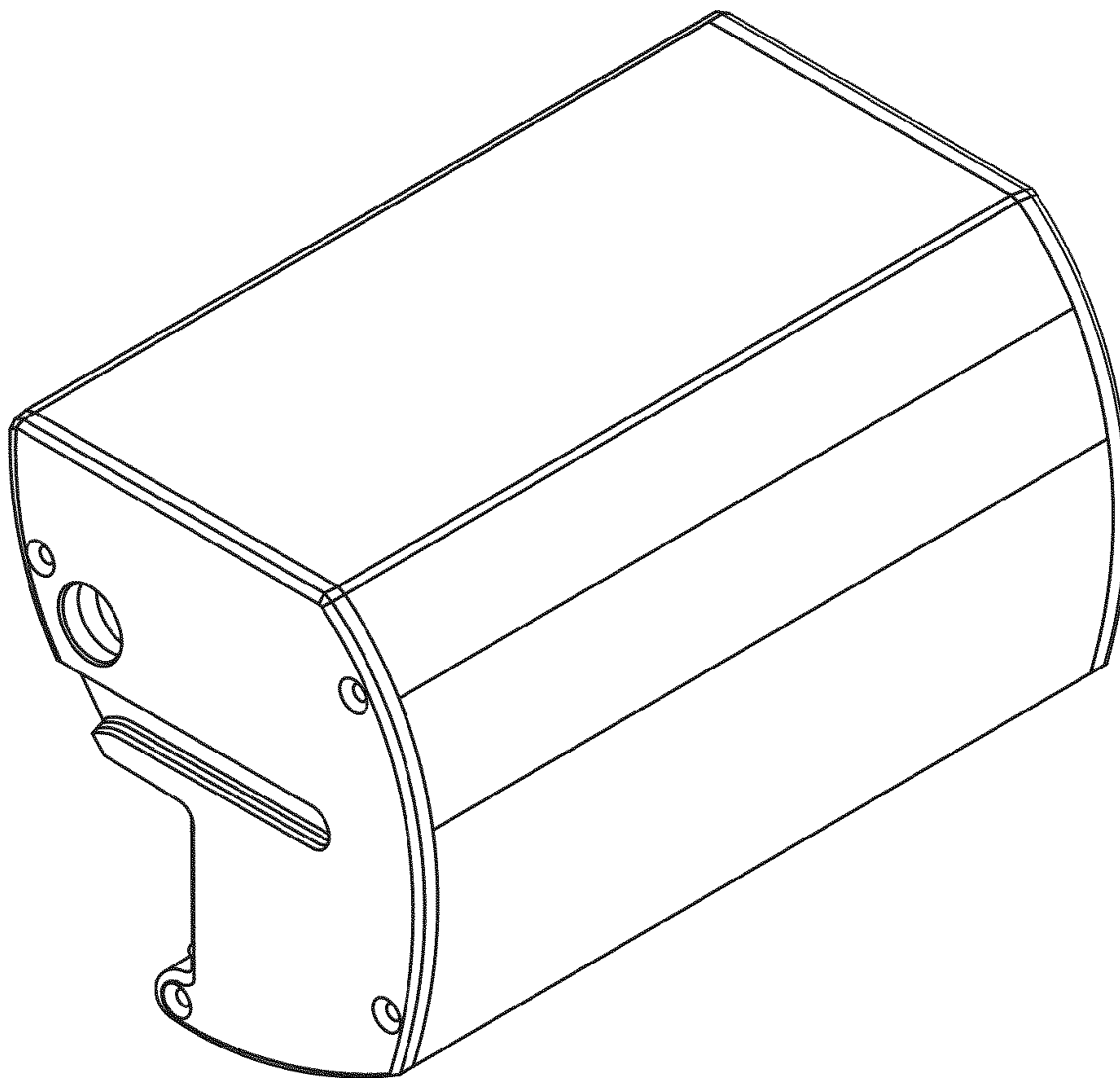
FIG. 3 is a left view thereof;

FIG. 4 is a right view thereof; and,

FIG. 5 is a back view thereof.

The broken lines shown are included for the purpose of illustrating environmental features and form no part of the claim design.

1 Claim, 2 Drawing Sheets



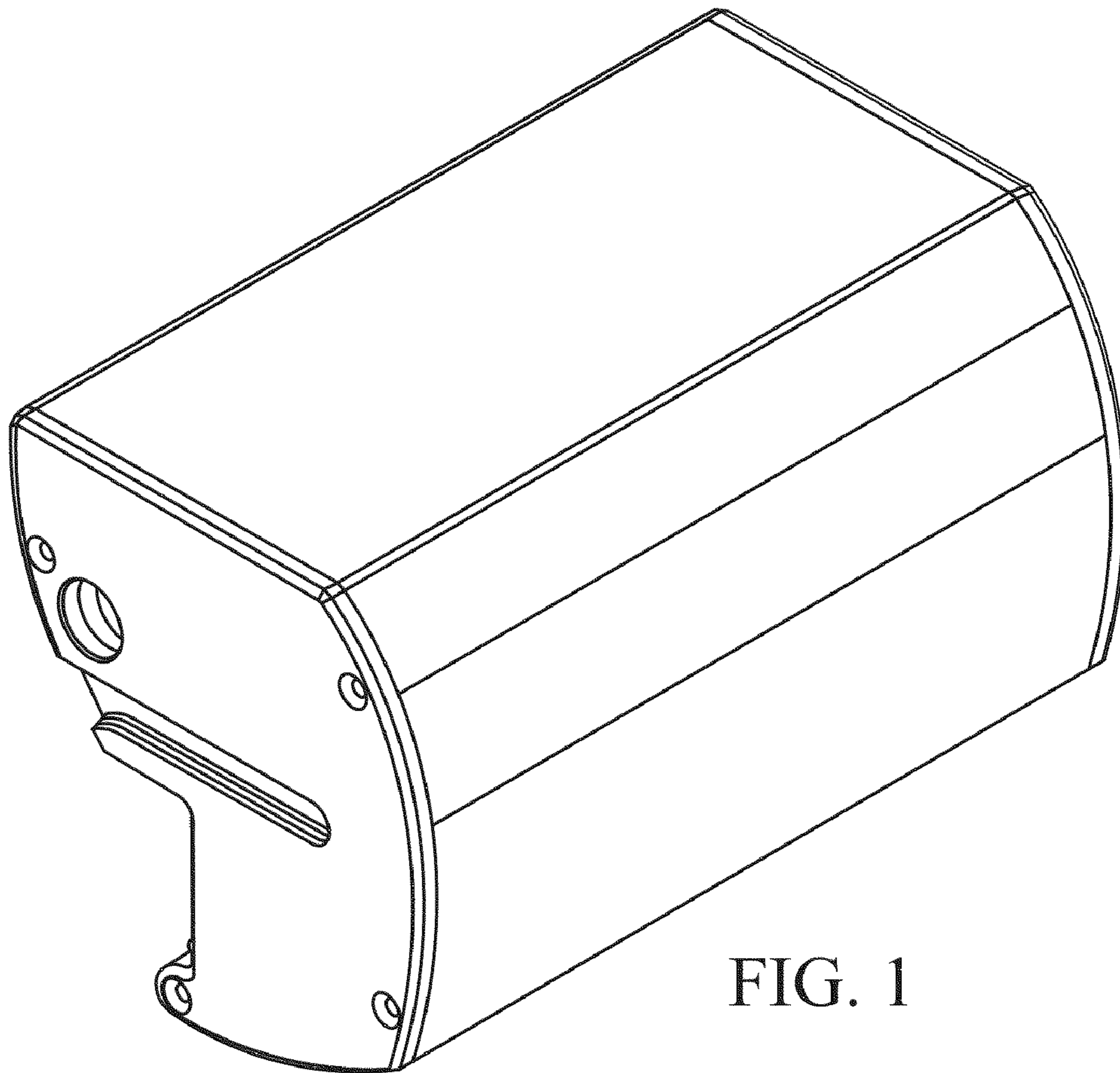


FIG. 1

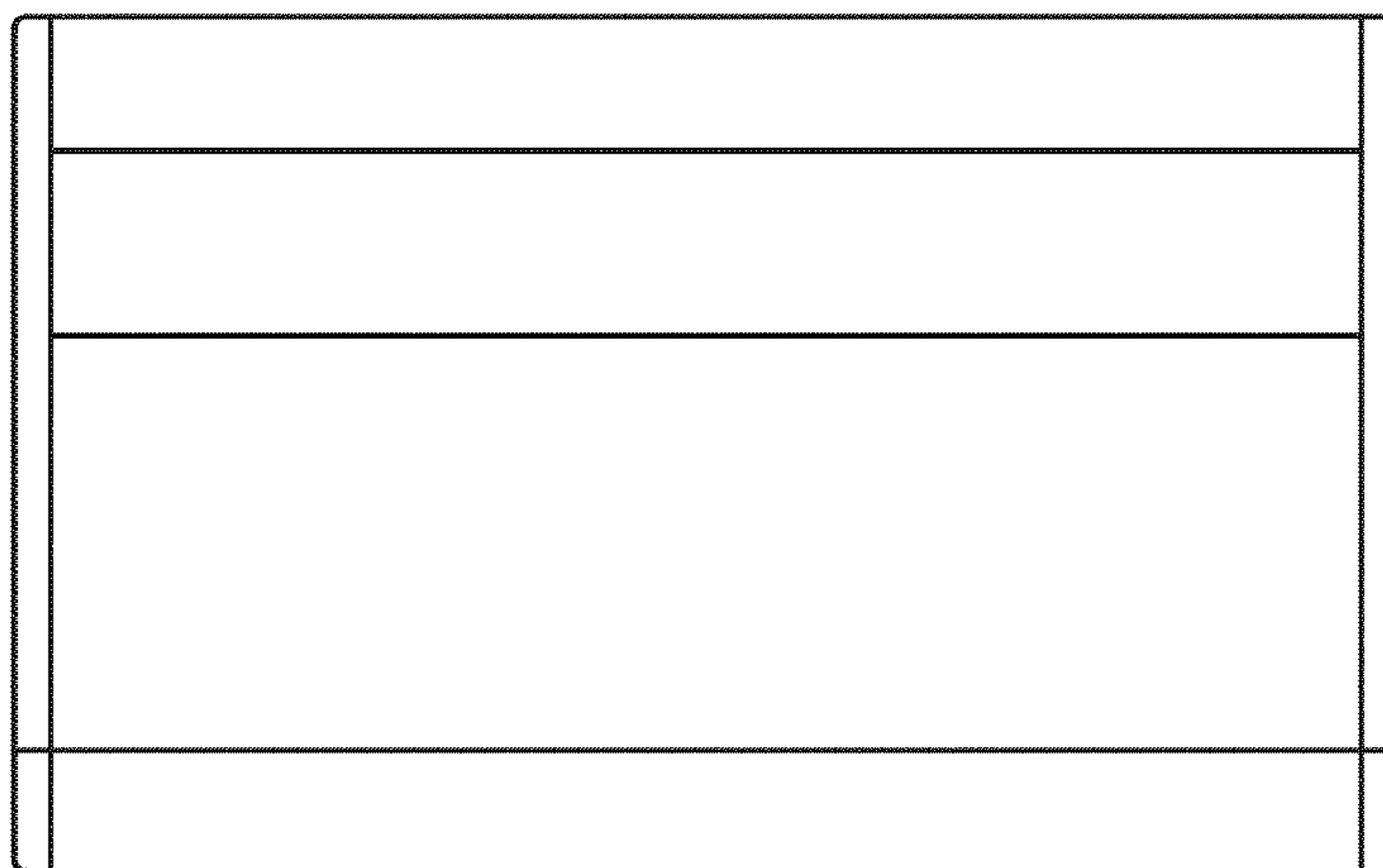


FIG. 2

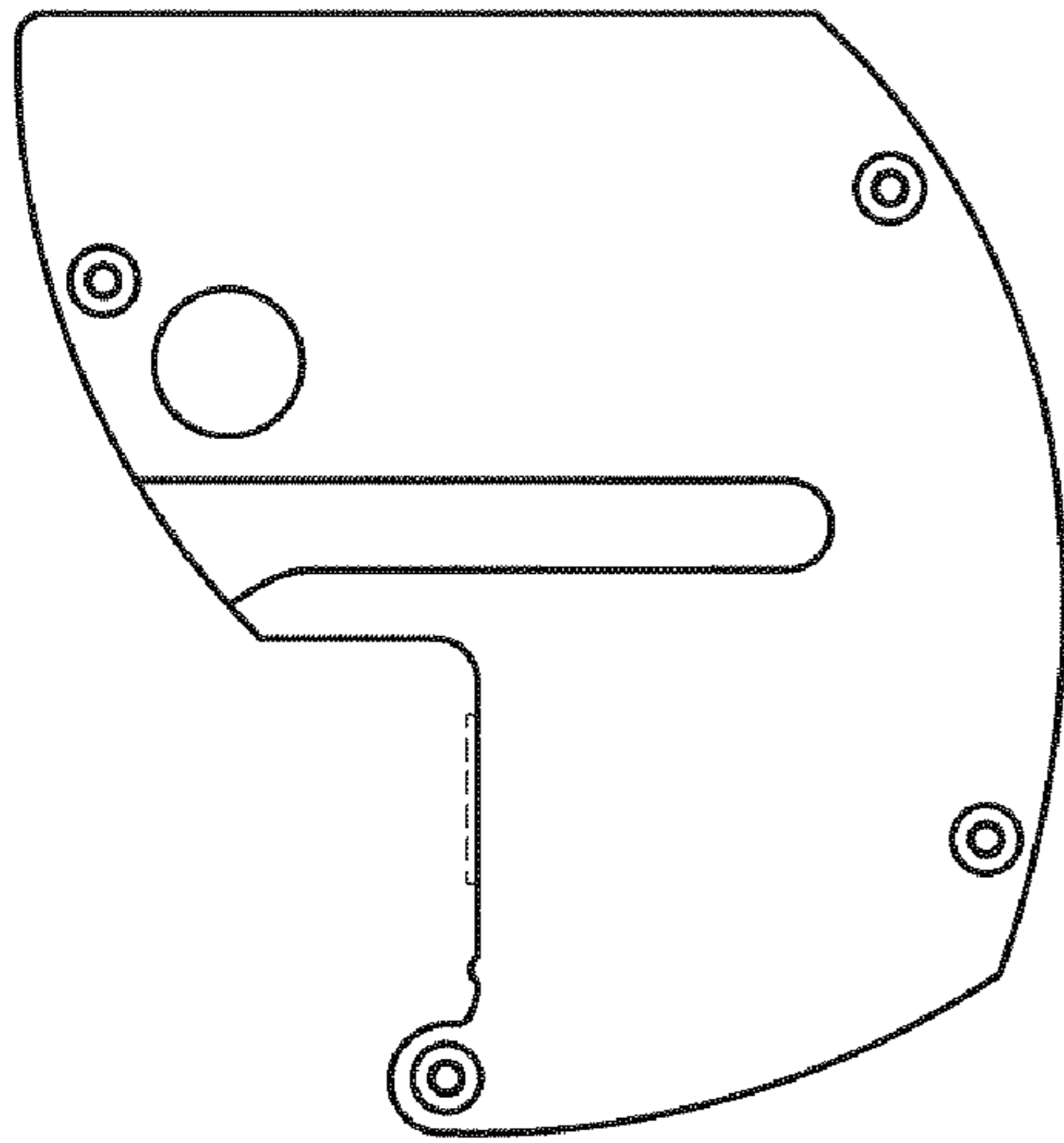


FIG. 3

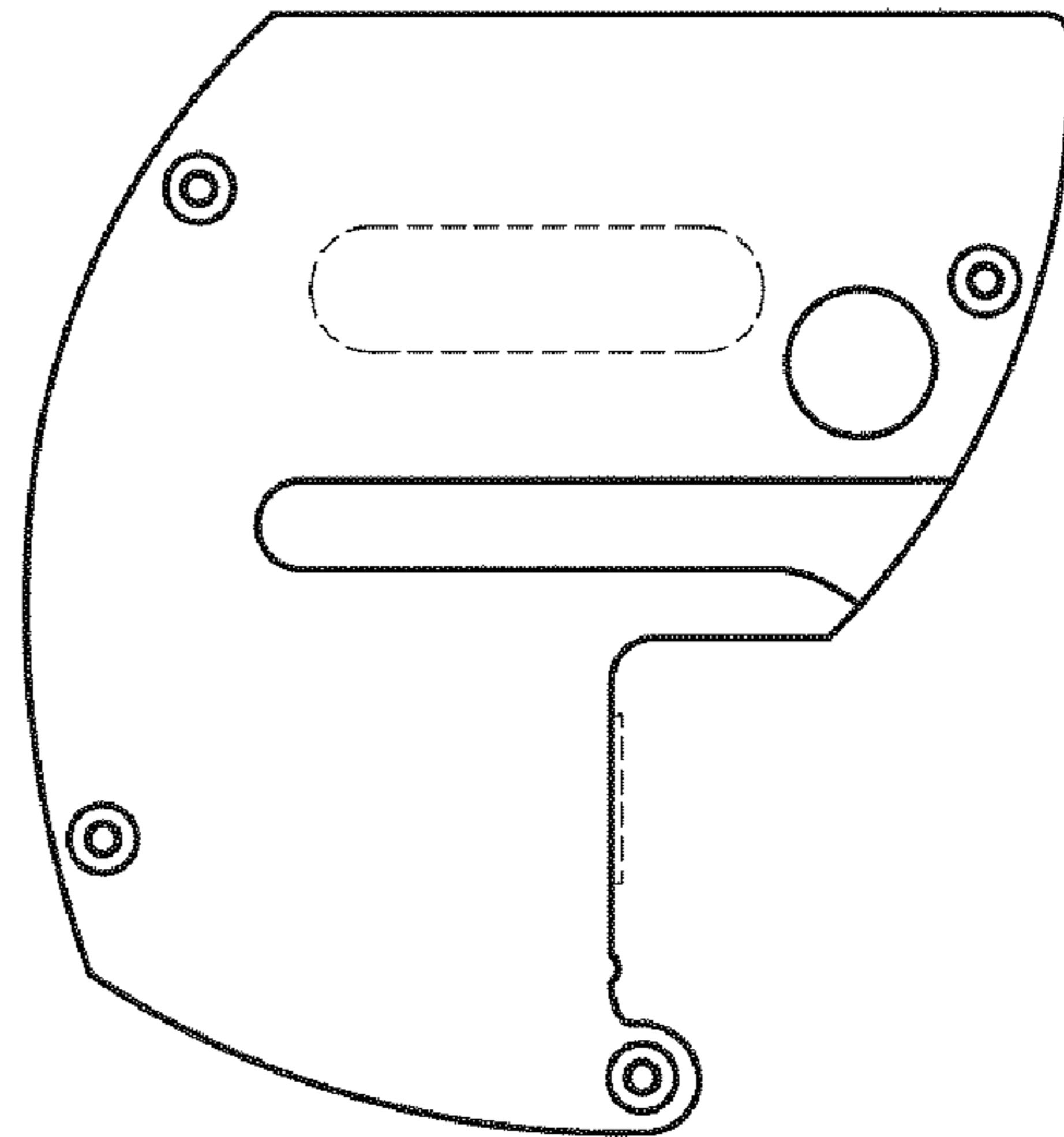


FIG. 4

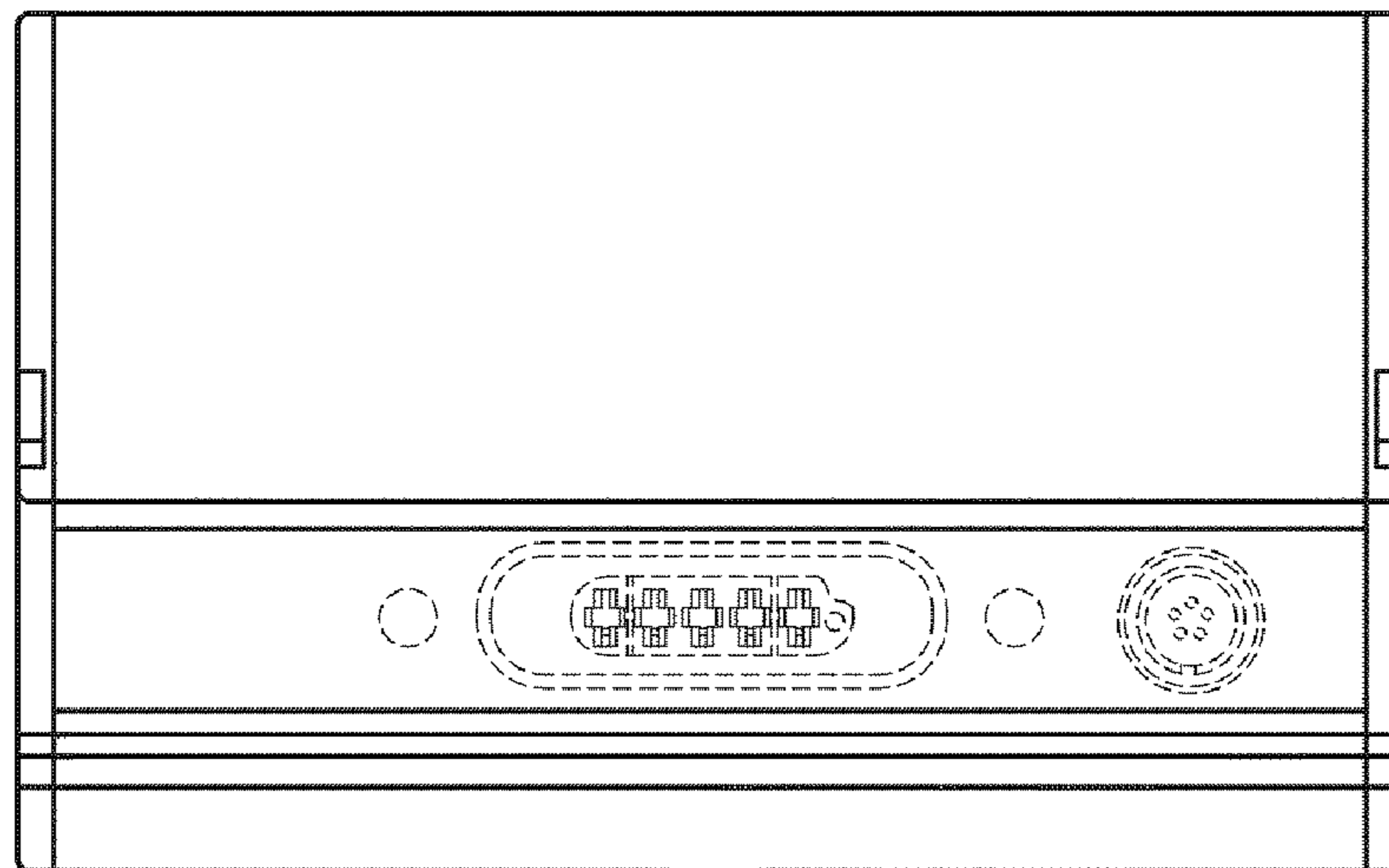


FIG. 5