



US00D618166S

(12) **United States Design Patent**
Sanoner

(10) **Patent No.:** **US D618,166 S**
(45) **Date of Patent:** **** Jun. 22, 2010**

(54) **SOLAR PANEL FOR SOLAR LIGHT**

(75) Inventor: **Hughes Marie Sanoner**, Discovery Bay (HK)

(73) Assignee: **Solar Wide Industrial Limited**, Tsuen Wan, New Territories, Hong Kong SAR (CN)

(**) Term: **14 Years**

(21) Appl. No.: **29/314,560**

(22) Filed: **Apr. 9, 2009**

(30) **Foreign Application Priority Data**

Oct. 9, 2008 (EM) 001017834-0001
Oct. 9, 2008 (EM) 001052583-0001

(51) **LOC (9) Cl.** **13-02**

(52) **U.S. Cl.** **D13/102**

(58) **Field of Classification Search** D13/102,
D13/101, 107, 184, 199; D8/1; D21/840;
D26/67, 68, 69, 104; 126/569, 608, 707,
126/709; 136/206, 244, 245, 247, 251; 320/101;
362/183, 266, 311.01

See application file for complete search history.

(56) **References Cited**

U.S. PATENT DOCUMENTS

3,995,614 A * 12/1976 Cerra et al. 126/709
4,835,664 A * 5/1989 Wen 362/183
D309,789 S * 8/1990 Luce D26/68
D311,722 S * 10/1990 Cheng D13/102

5,065,291 A * 11/1991 Frost et al. 362/183
D324,432 S * 3/1992 Frost D26/67
D415,018 S * 10/1999 Uhler D21/840
D442,139 S * 5/2001 Sasaoka D13/102
D517,720 S * 3/2006 Sanoner D26/68
D517,981 S * 3/2006 Daly D13/102
D533,675 S * 12/2006 Didier et al. D26/67
D565,447 S * 4/2008 Horng D10/113

* cited by examiner

Primary Examiner—Prabhakar Deshmukh

Assistant Examiner—Derrick Holland

(74) *Attorney, Agent, or Firm*—Alix, Yale & Ristas, LLP

(57) **CLAIM**

The ornamental design for a solar panel for solar light, as shown and described.

DESCRIPTION

FIG. 1 is a front and top perspective view of a solar panel for solar light showing my new design;

FIG. 2 is a front elevational view thereof;

FIG. 3 is a rear elevational view thereof;

FIG. 4 is a right side elevational view thereof;

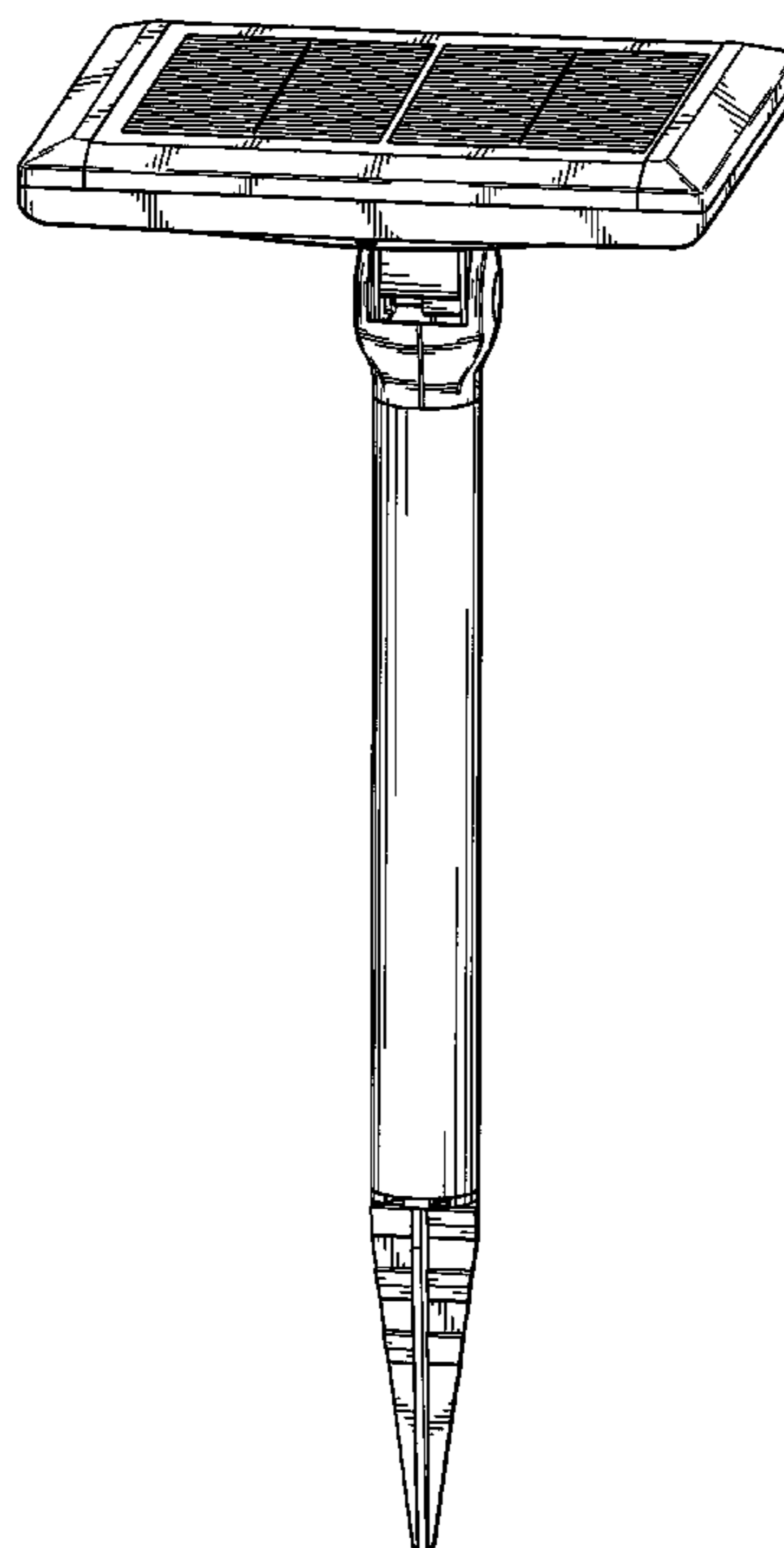
FIG. 5 is a left side elevational view thereof;

FIG. 6 is a top plan view thereof; and,

FIG. 7 is a bottom plan view thereof.

The broken lines shown are for illustrative purposes and form no part of the claimed design.

1 Claim, 6 Drawing Sheets



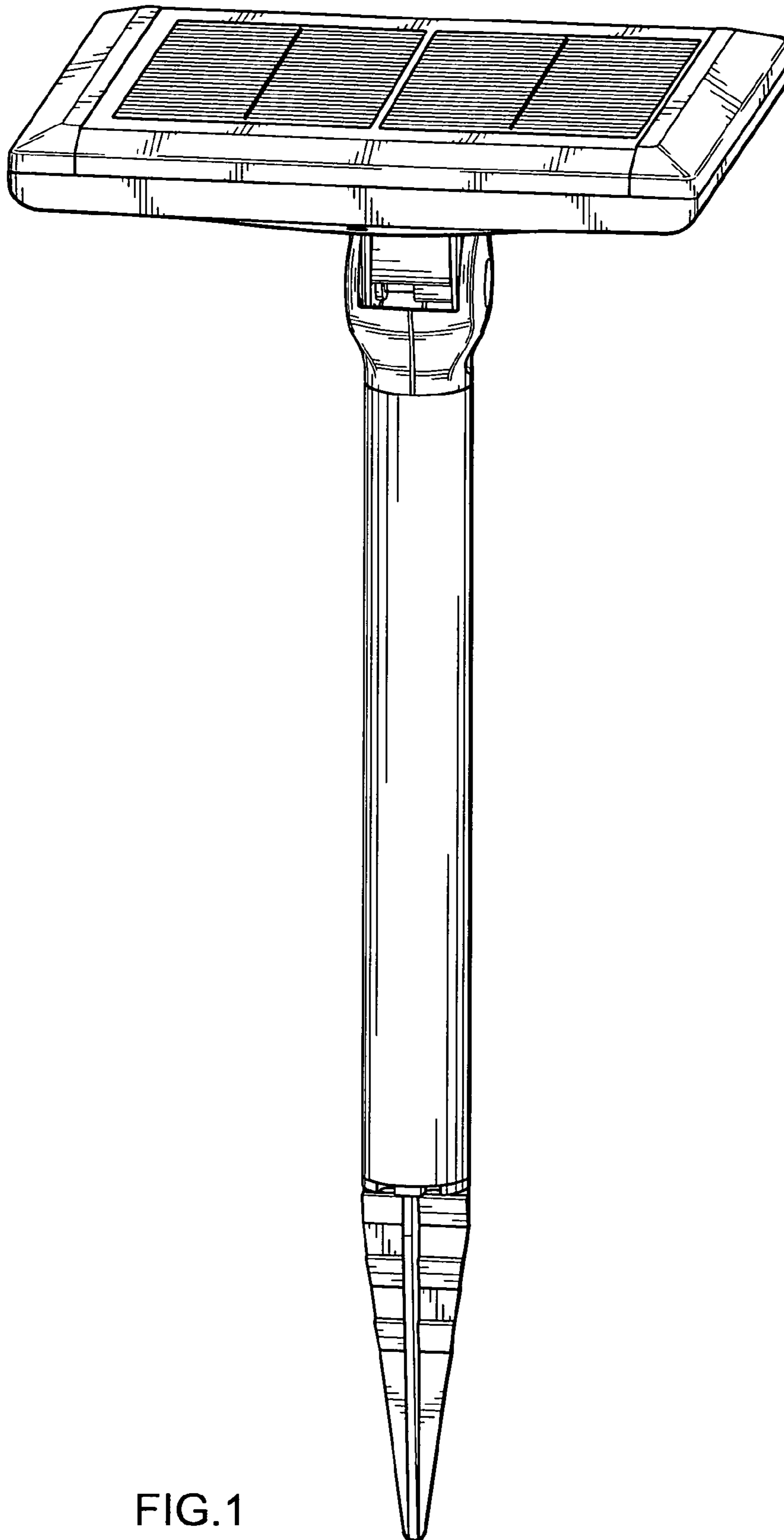


FIG. 1

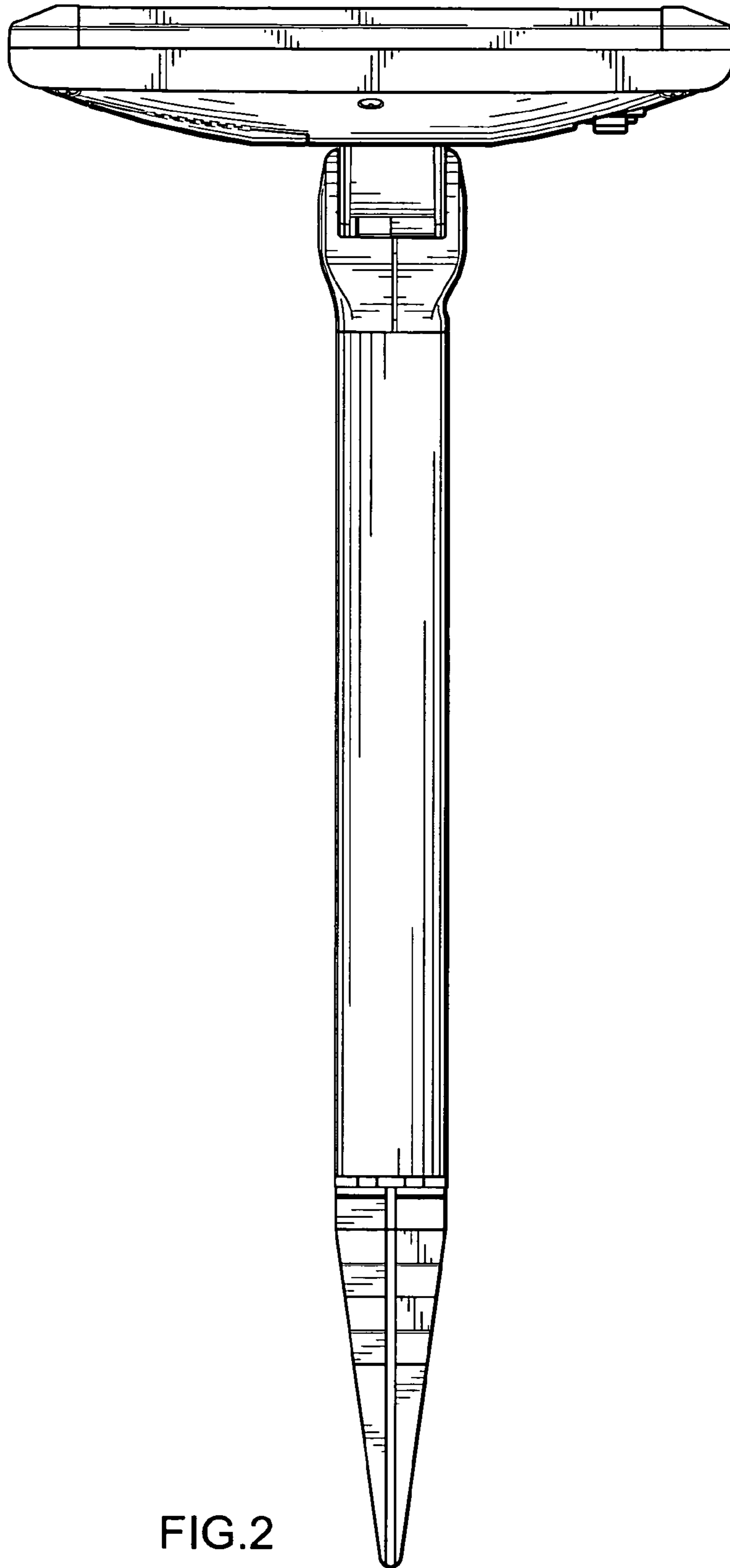


FIG.2

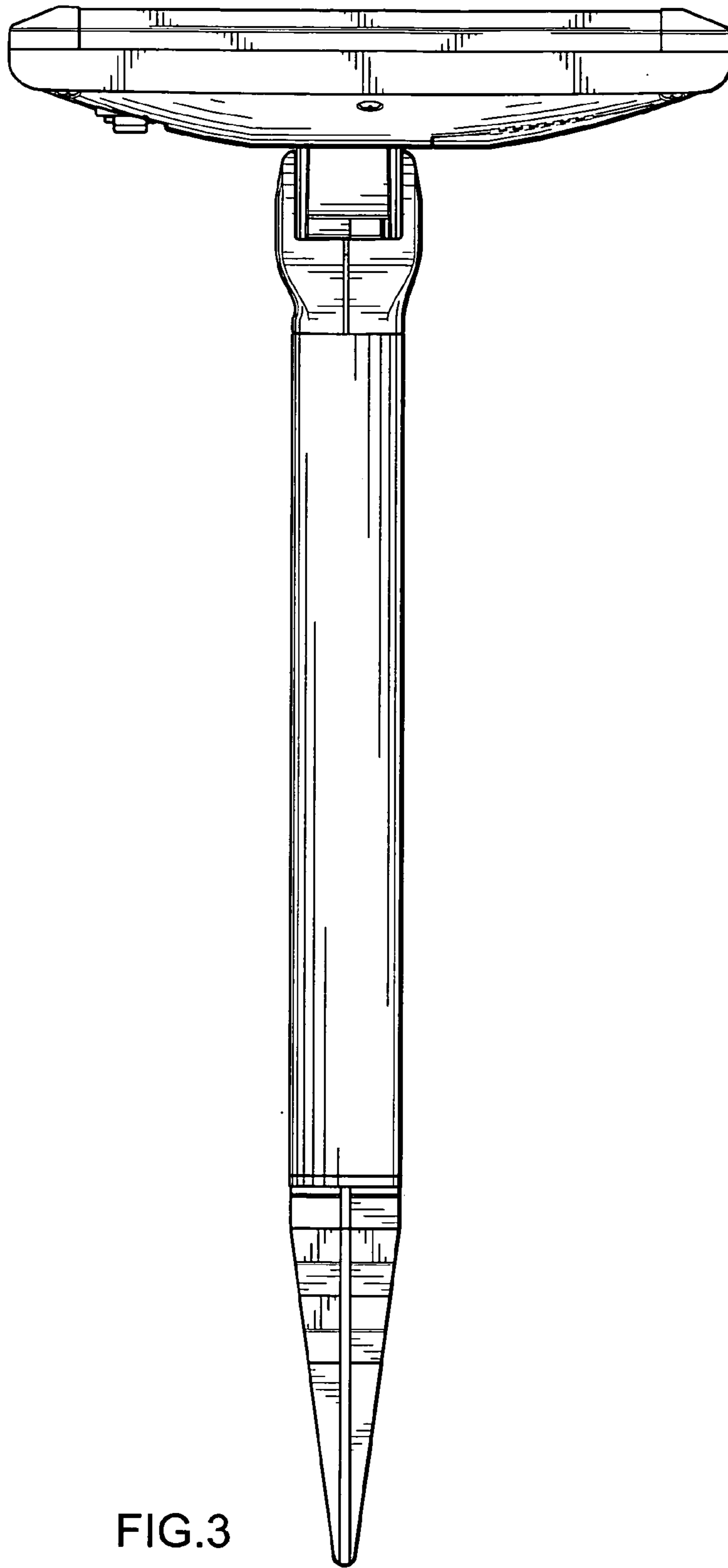


FIG.3

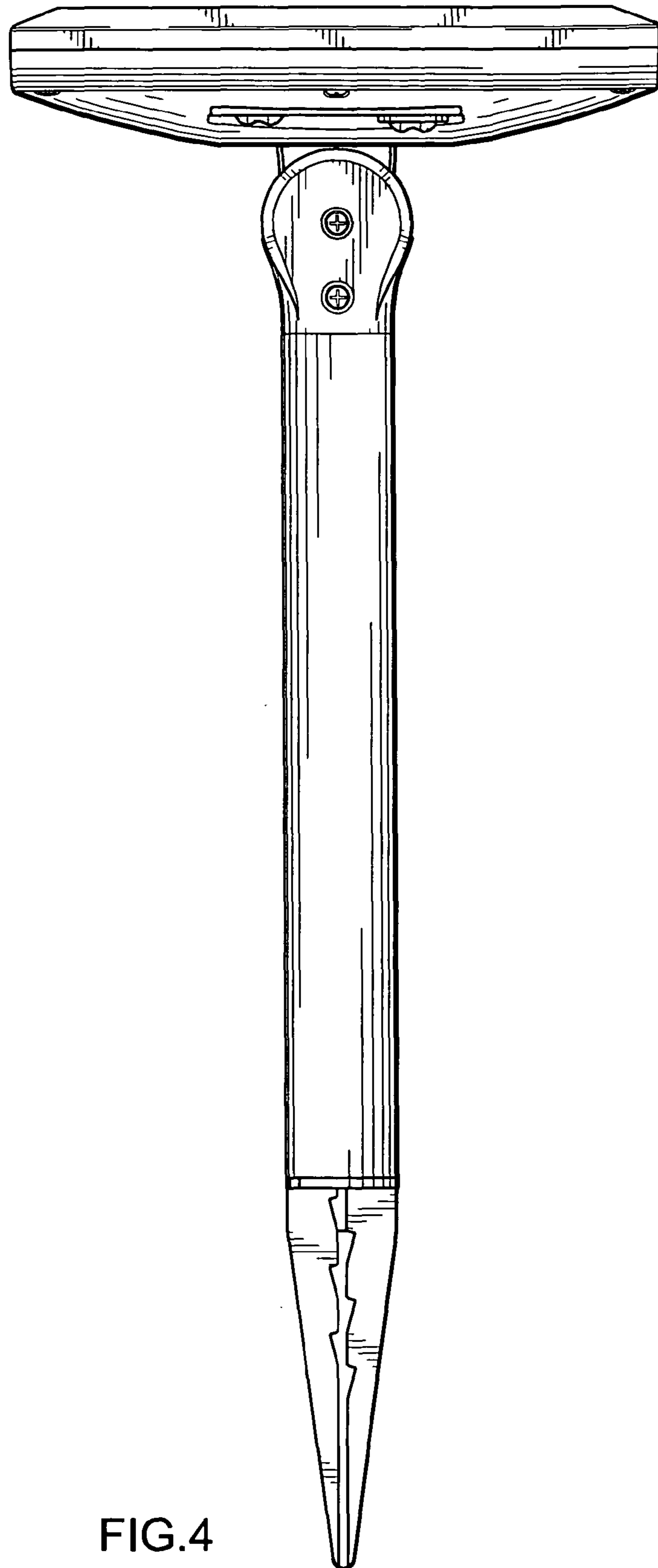


FIG.4

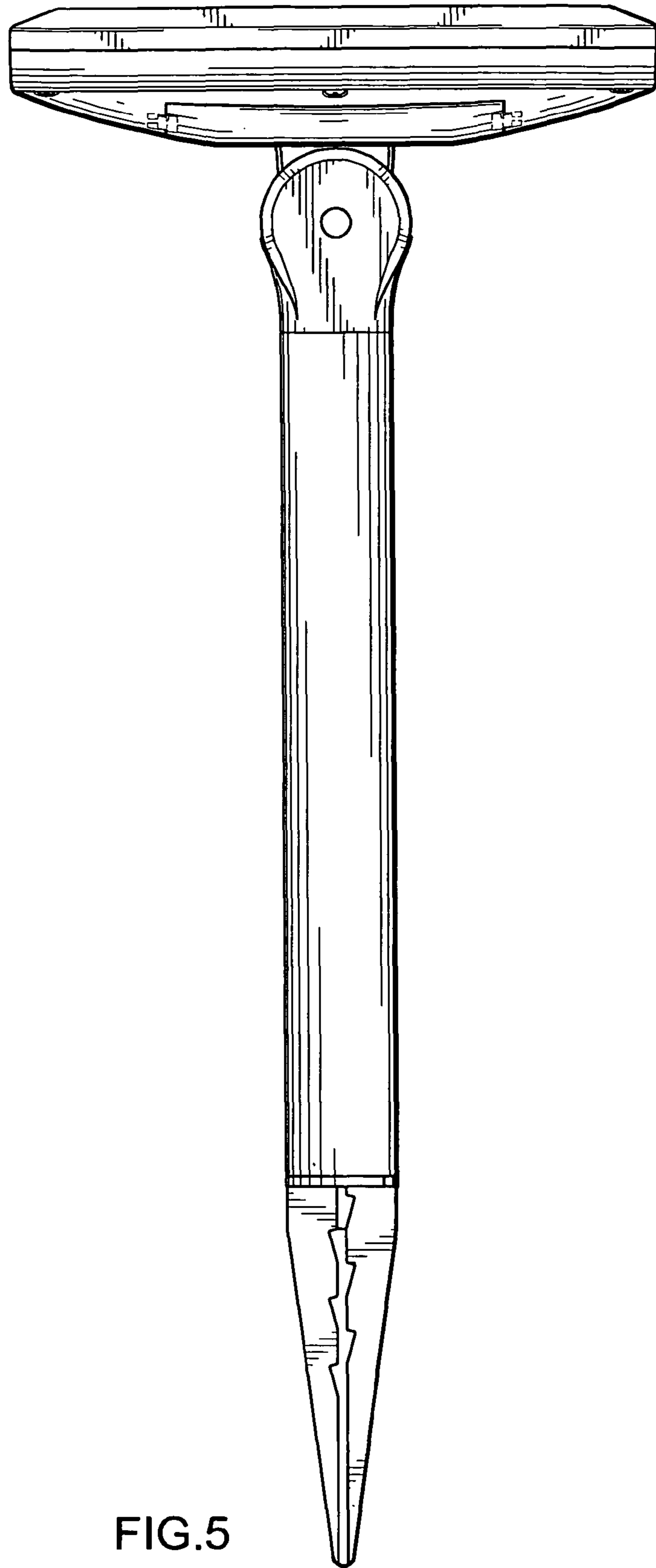


FIG.5

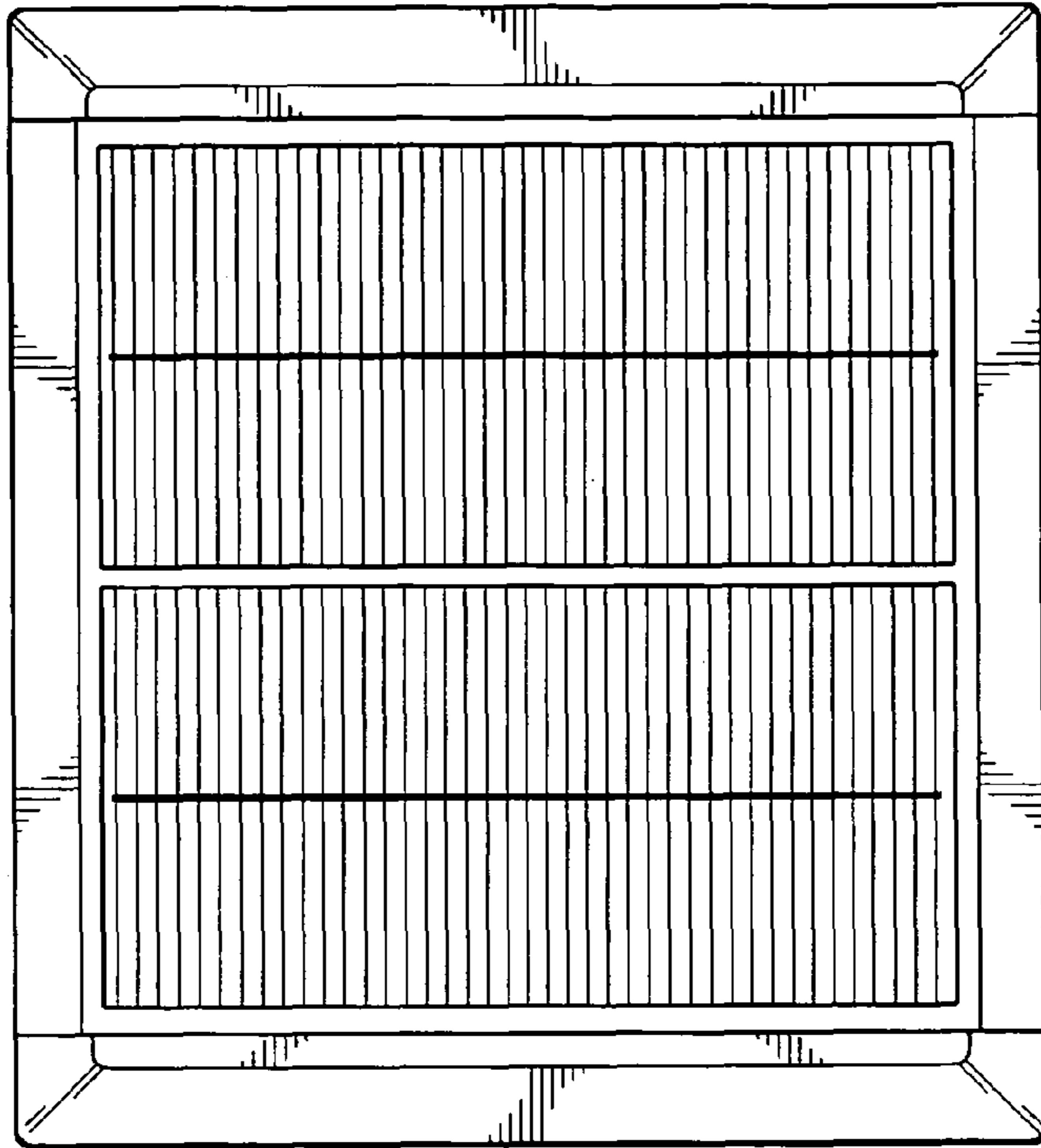


FIG. 6

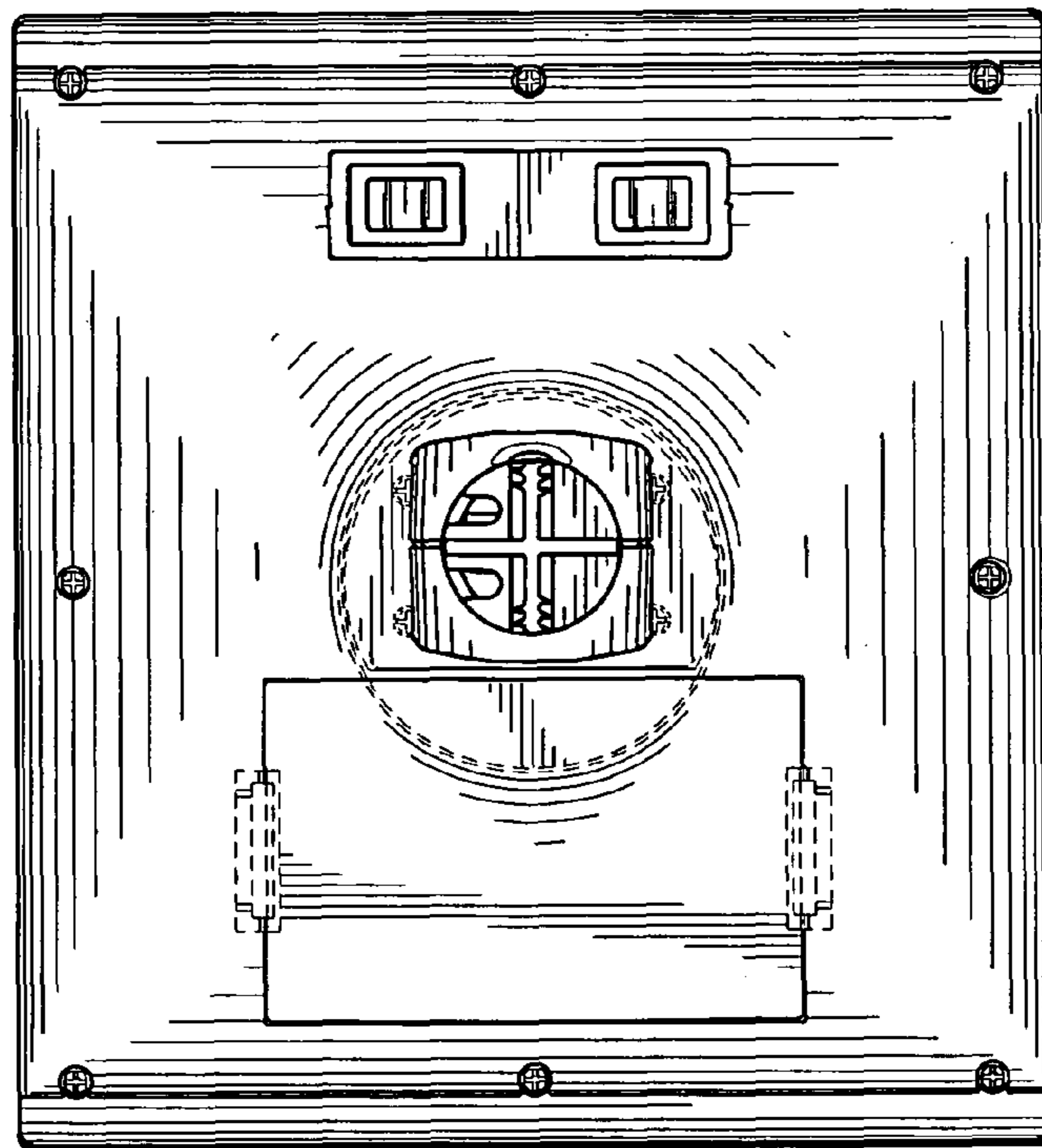


FIG. 7