



US00D618164S

(12) **United States Design Patent**
Sato

(10) **Patent No.:** **US D618,164 S**
(45) **Date of Patent:** **** Jun. 22, 2010**

(54) **AUTOMOBILE TIRE**

(75) Inventor: **Yoshiki Sato**, Osaka (JP)

(73) Assignee: **Toyo Tire & Rubber Co., Ltd.**, Osaka (JP)

(**) Term: **14 Years**

(21) Appl. No.: **29/328,507**

(22) Filed: **Nov. 25, 2008**

(30) **Foreign Application Priority Data**

Oct. 7, 2008 (JP) 2008-025745

(51) **LOC (9) Cl.** **12-15**

(52) **U.S. Cl.** **D12/605**

(58) **Field of Classification Search** D12/500,
D12/501, 544, 579, 600, 605; 152/523, 524,
152/DIG. 12, 555; D7/570-576

See application file for complete search history.

(56) **References Cited**

U.S. PATENT DOCUMENTS

- D565,504 S * 4/2008 Tanaka D12/605
- D569,336 S * 5/2008 Onoe D12/605
- D569,791 S * 5/2008 Iwabuchi et al. D12/605
- D574,766 S * 8/2008 Iwabuchi et al. D12/605
- D576,544 S * 9/2008 Onoe D12/605
- D584,682 S * 1/2009 Tanaka D12/605
- D590,332 S * 4/2009 Sato D12/605
- D596,117 S * 7/2009 Yonetsu D12/605

D600,199 S * 9/2009 Ibaraki D12/605

FOREIGN PATENT DOCUMENTS

JP D1331370 S 5/2008

* cited by examiner

Primary Examiner—Caron Veynar

Assistant Examiner—George D Kirschbaum

(74) *Attorney, Agent, or Firm*—Westerman, Hattori, Daniels & Adrian, LLP

(57) **CLAIM**

The ornamental design for an automobile tire, as shown and described.

DESCRIPTION

FIG. 1 is a front, elevation view of an automobile tire showing my new design;

FIG. 2 is a rear, elevation view thereof;

FIG. 3 is a left-side, elevation view thereof;

FIG. 4 is a top plan view thereof;

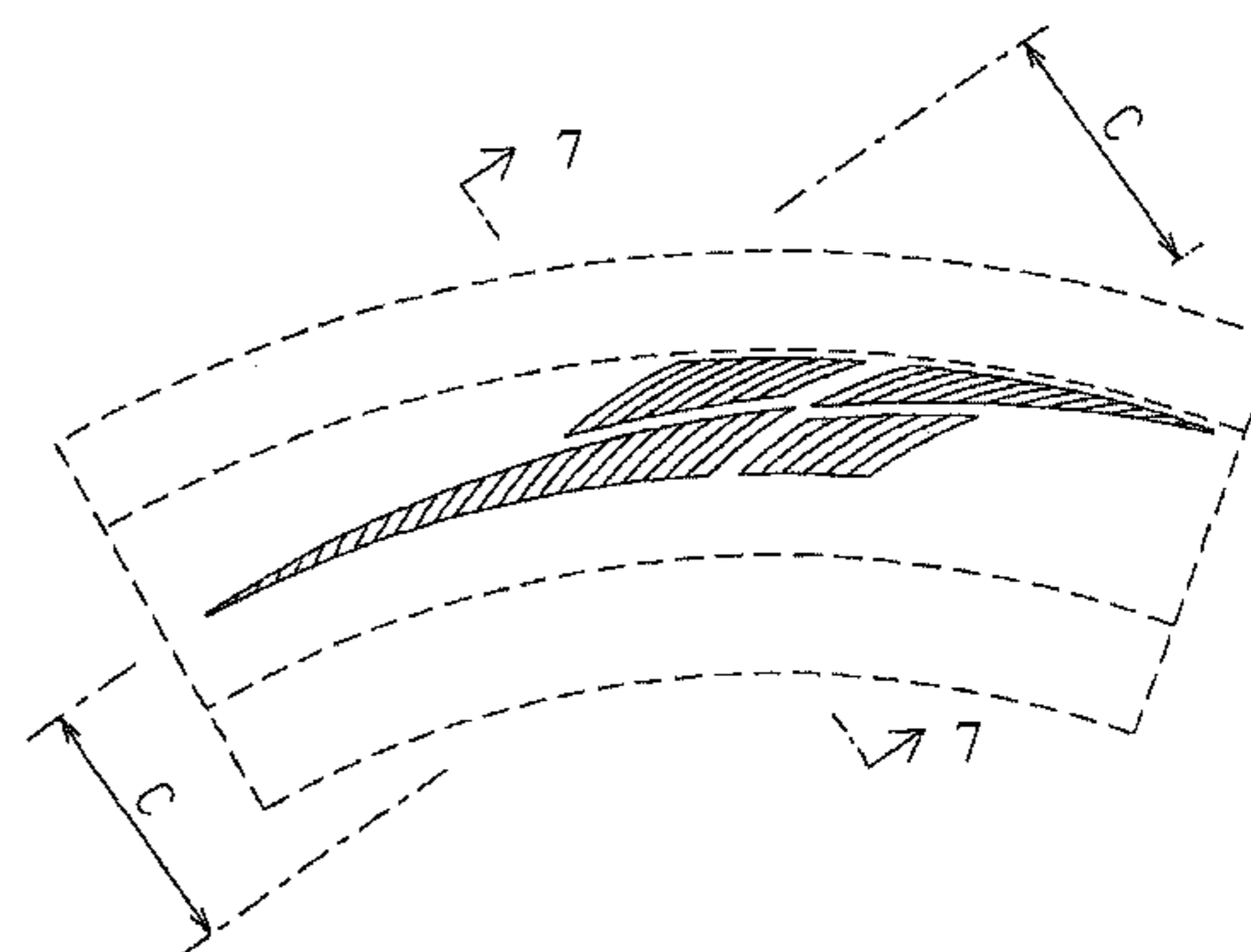
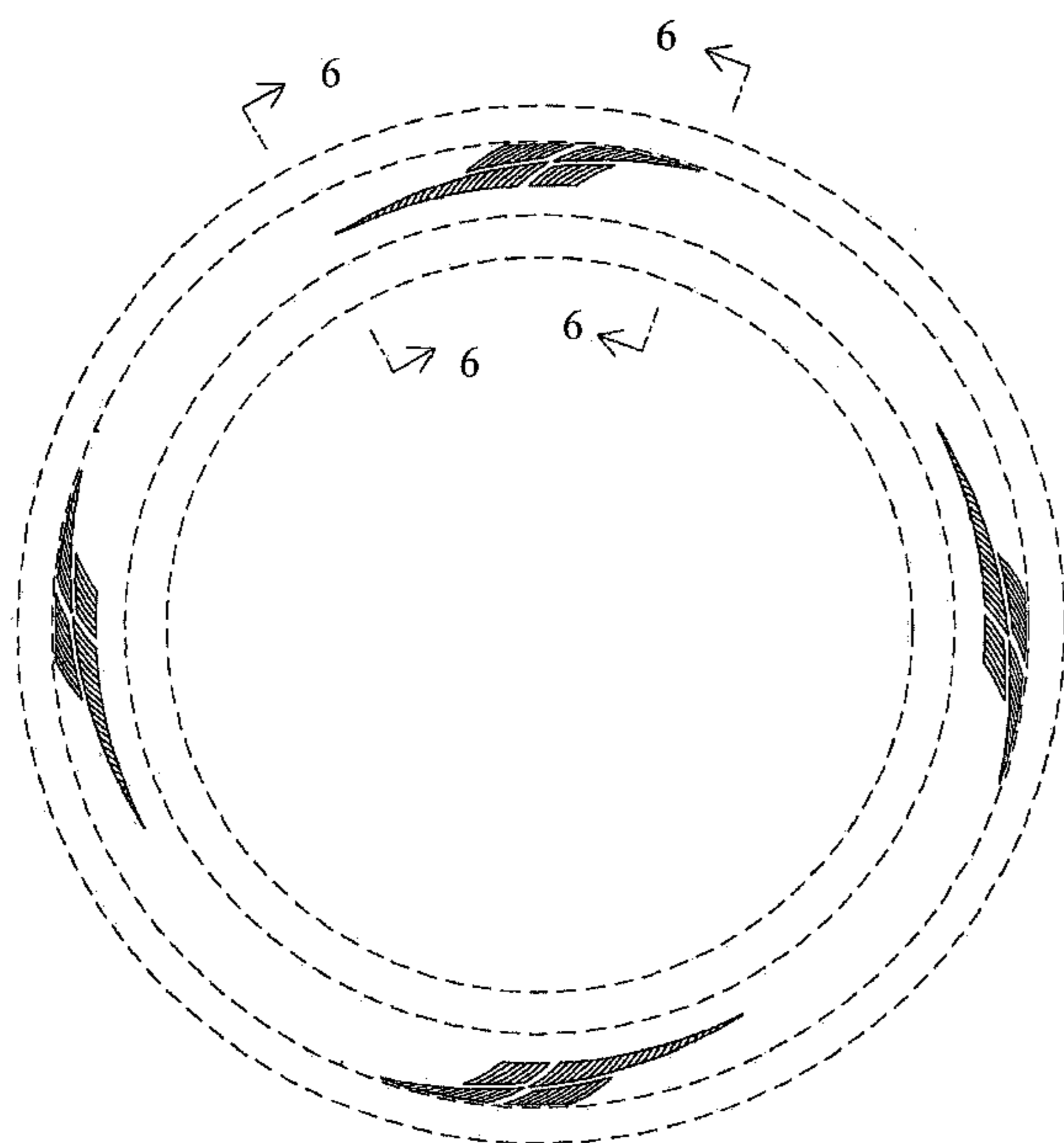
FIG. 5 is a perspective view thereof;

FIG. 6 is an enlarged view along the line 6—6 in FIG. 1 thereof; and,

FIG. 7 is an enlarged cross sectional view along the line 7—7 in FIG. 6, in the area designated by “B” in FIG. 4 and “C” in FIG. 6.

In the drawings, the broken lines defining the tread area, sidewall, and inner bead depict environmental subject matter that forms no part of the claimed design.

1 Claim, 7 Drawing Sheets



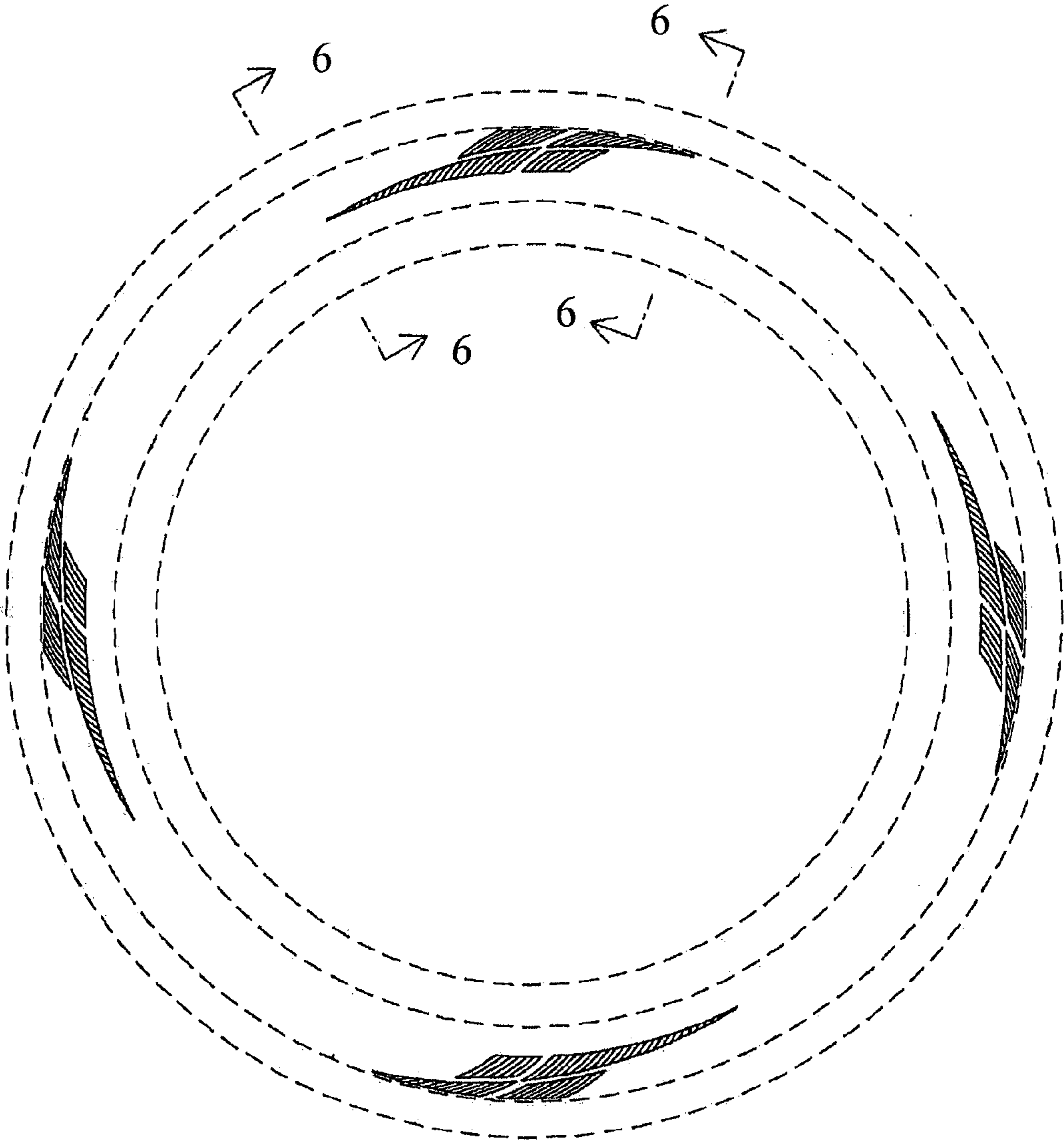


FIG. 1

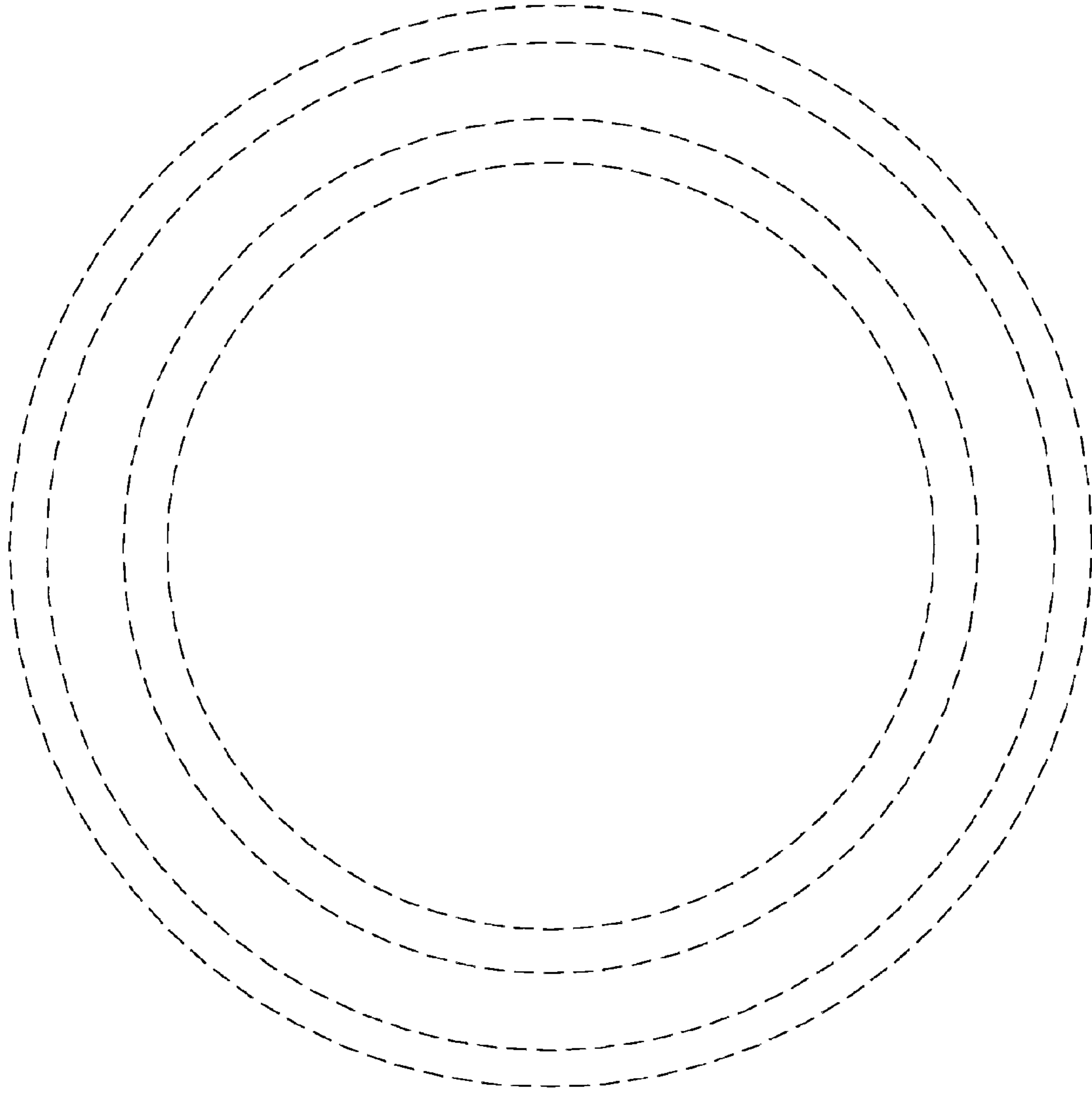


FIG.2

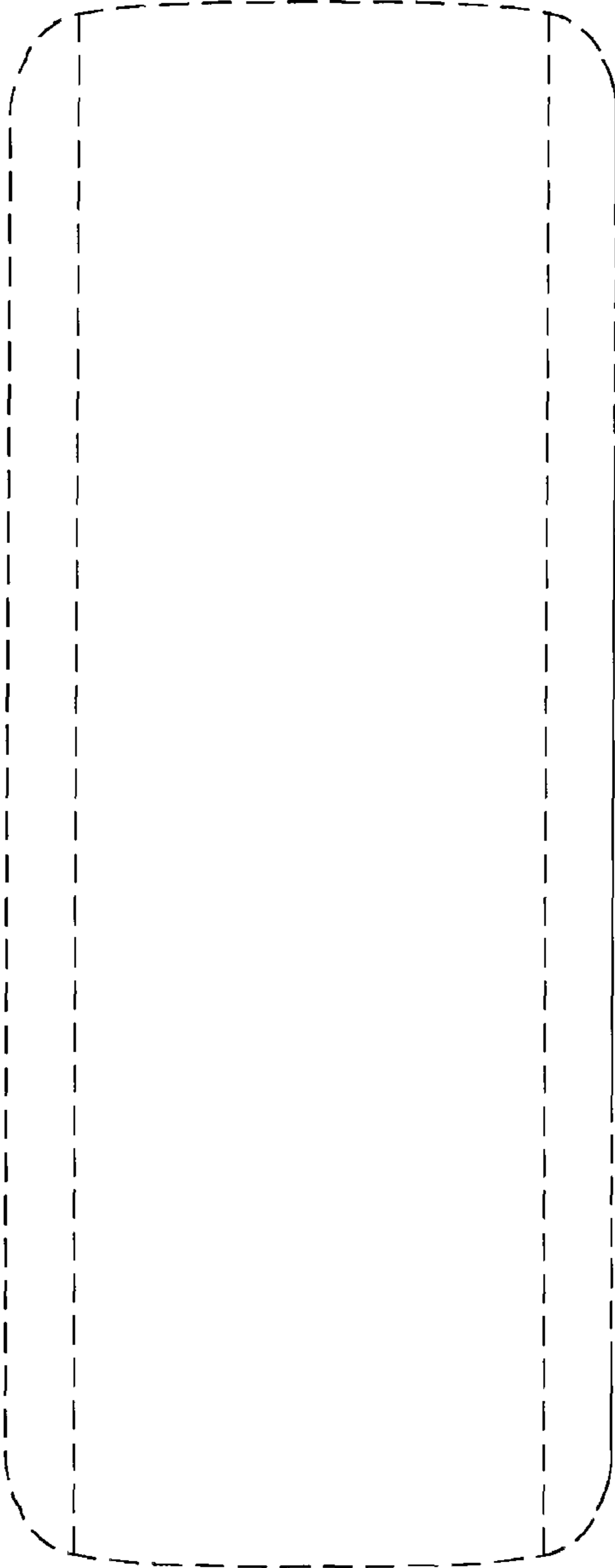


FIG.3

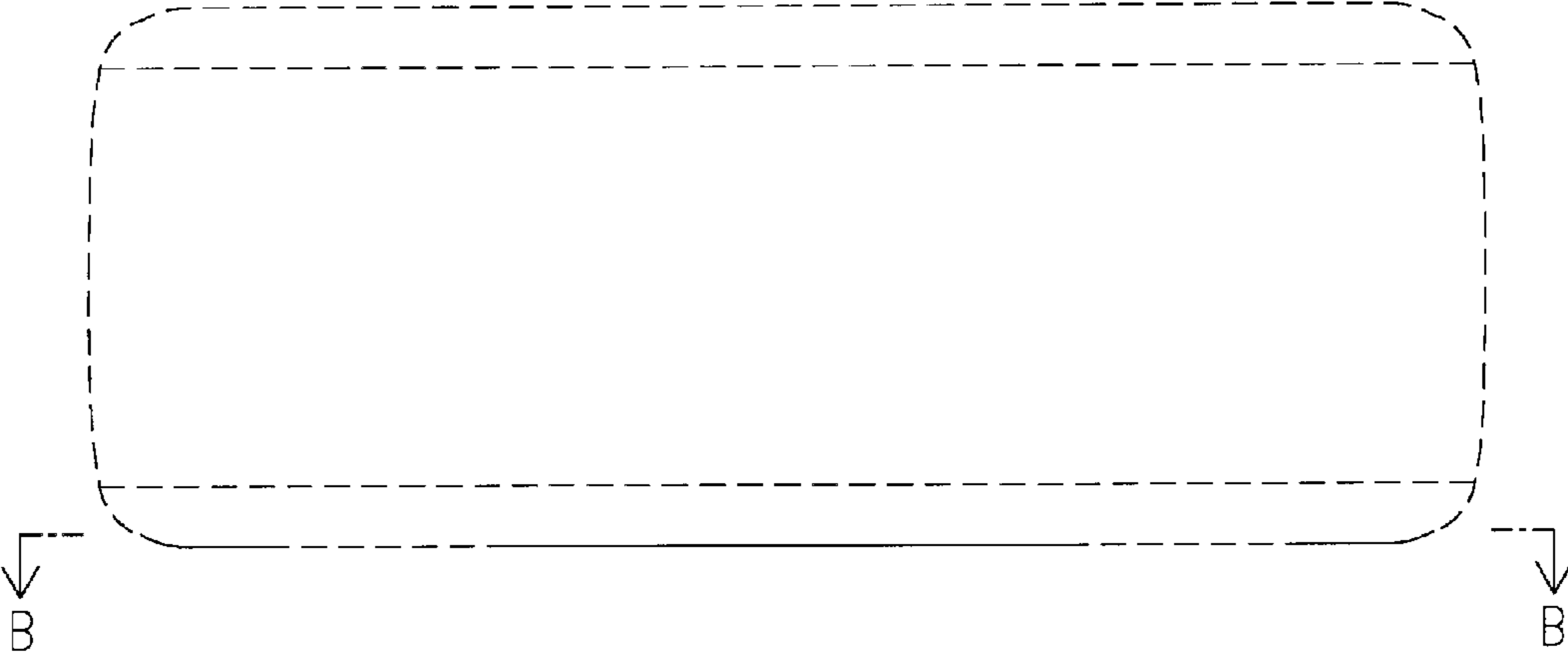


FIG.4

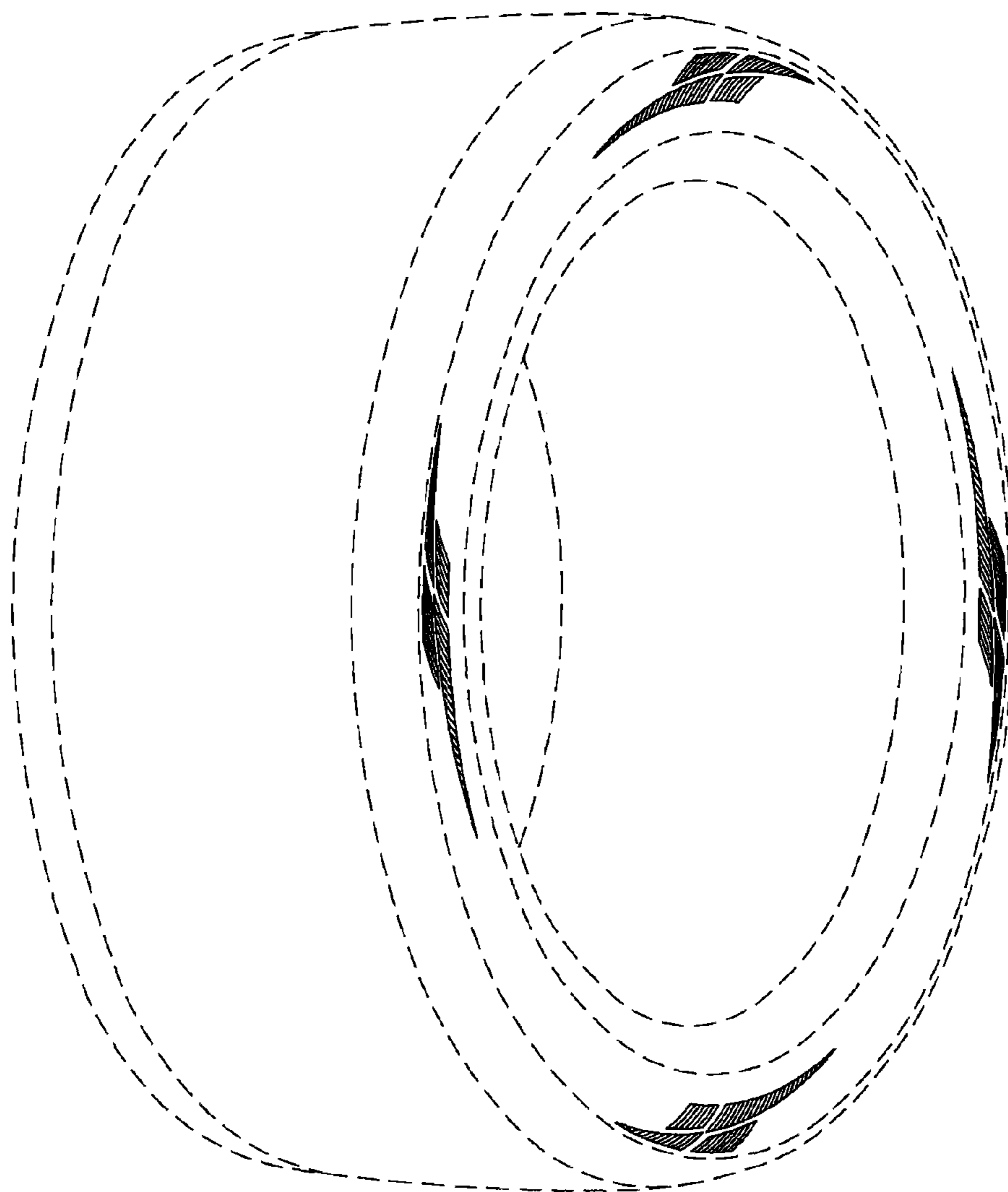


FIG.5

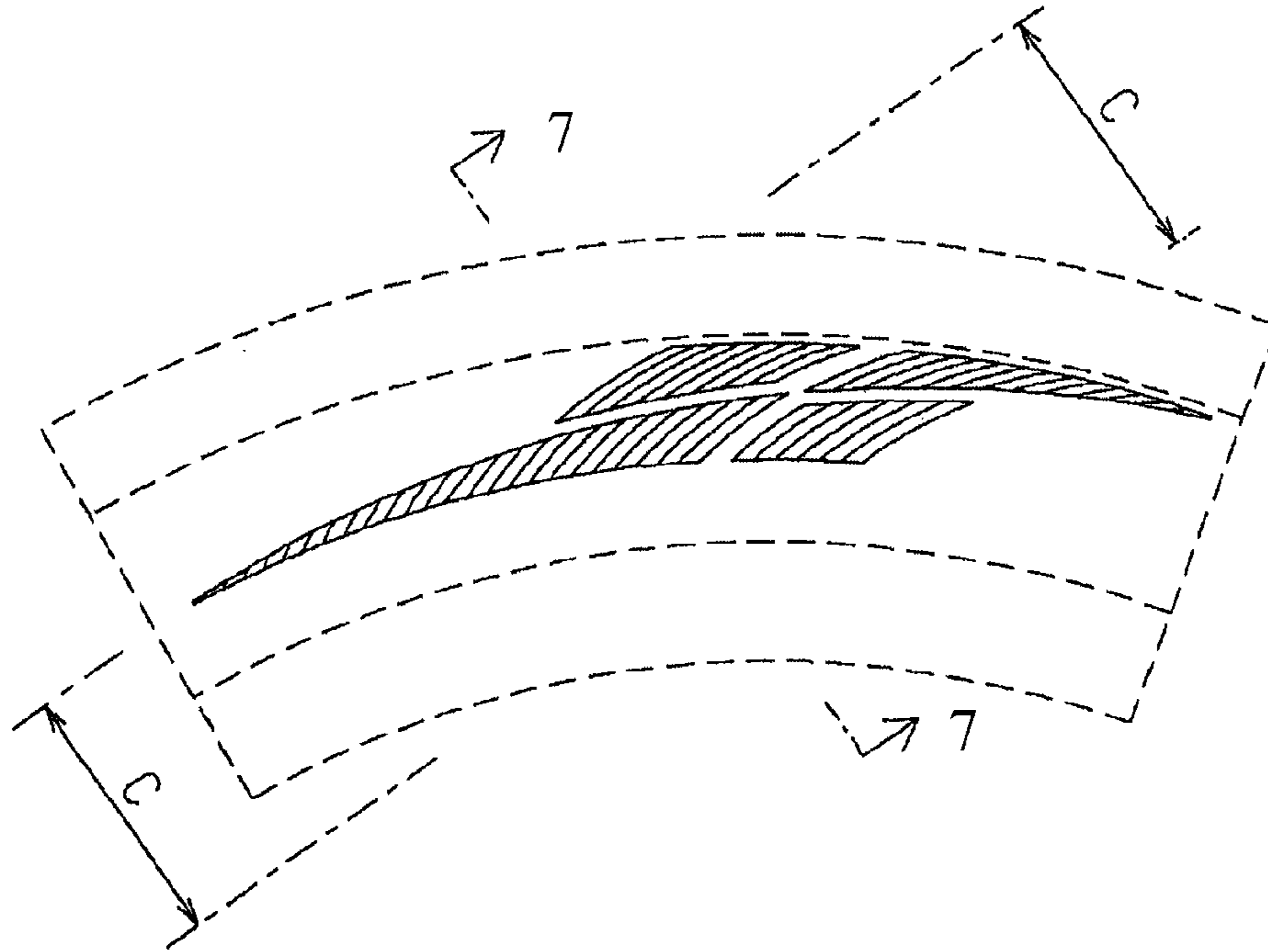


FIG.6

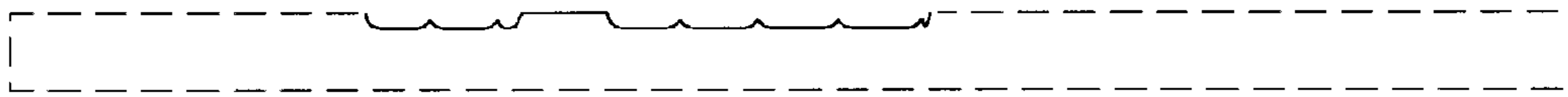


FIG.7