



US00D618156S

(12) **United States Design Patent**
Zhao

(10) **Patent No.:** **US D618,156 S**
(45) **Date of Patent:** **** Jun. 22, 2010**

(54) **FRONT FACE OF A VEHICLE WHEEL**

(76) Inventor: **John Zhao**, 283 E. Garvey Ave.,
Monterey Park, CA (US) 91755

(**) Term: **14 Years**

(21) Appl. No.: **29/353,651**

(22) Filed: **Jan. 12, 2010**

(51) **LOC (9) Cl.** **12-16**

(52) **U.S. Cl.** **D12/211**

(58) **Field of Classification Search** D12/204-213;
301/37.101, 64.101, 65, 64.201
See application file for complete search history.

(56) **References Cited**

U.S. PATENT DOCUMENTS

D432,071 S	*	10/2000	Brown	D12/211
D500,005 S	*	12/2004	van Hooydonk	D12/211
D516,991 S	*	3/2006	Guevara	D12/211
D533,827 S	*	12/2006	Aydin	D12/211
D546,748 S	*	7/2007	Young	D12/211
D560,588 S	*	1/2008	Cheng	D12/209
D569,323 S	*	5/2008	Laengerer	D12/211

D569,777 S	*	5/2008	Chung	D12/211
D572,186 S	*	7/2008	Viandante	D12/211
D582,334 S	*	12/2008	Fournier	D12/211
D583,742 S	*	12/2008	Juergens et al.	D12/211
D585,010 S	*	1/2009	Pollmann	D12/211
D593,922 S	*	6/2009	Blasi	D12/211

* cited by examiner

Primary Examiner—Stacia Cadmus

(74) *Attorney, Agent, or Firm*—Procopio, Cory, Hargreaves & Savitch LLP

(57) **CLAIM**

The ornamental design for a front face of a vehicle wheel, as shown and described.

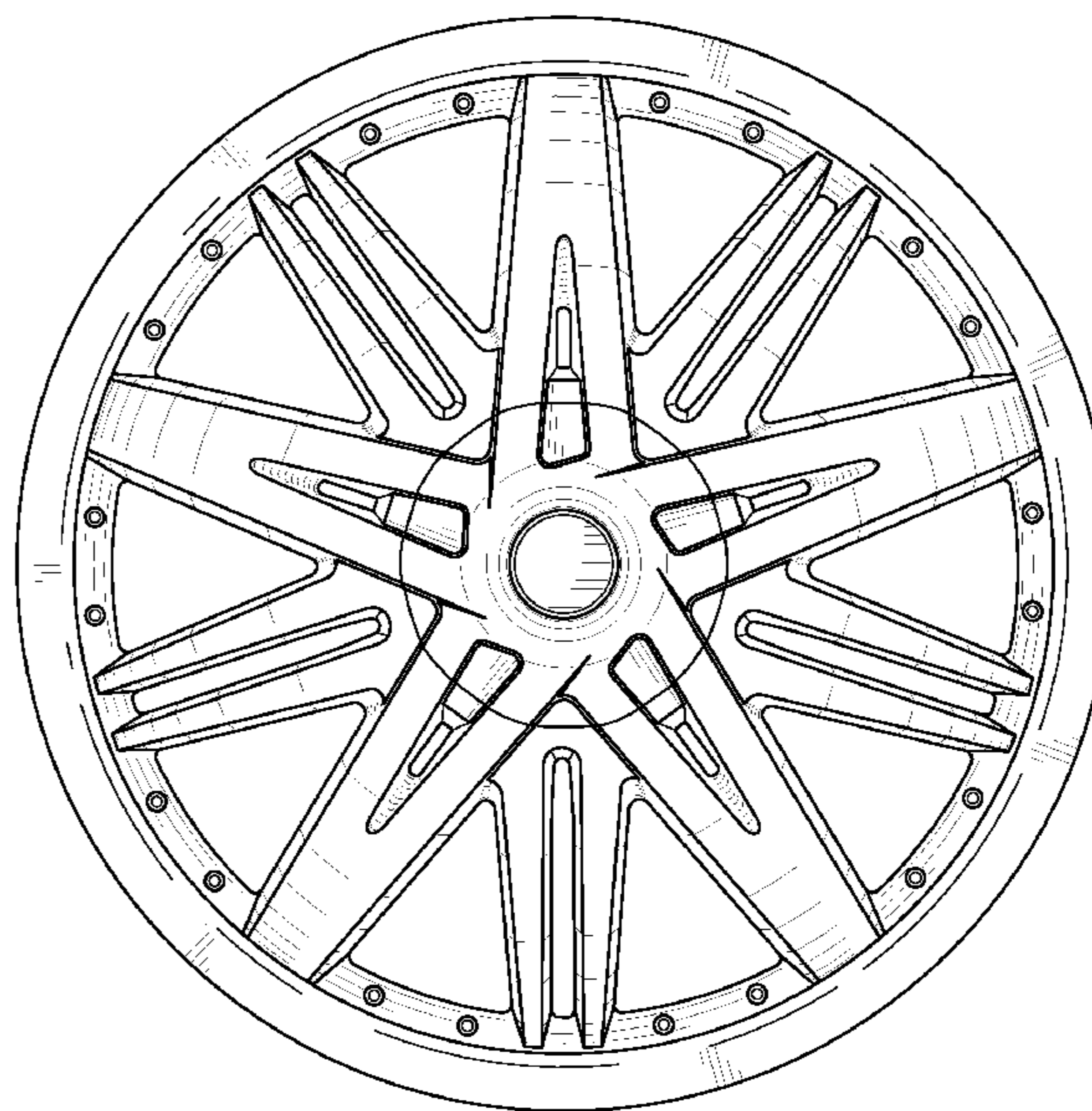
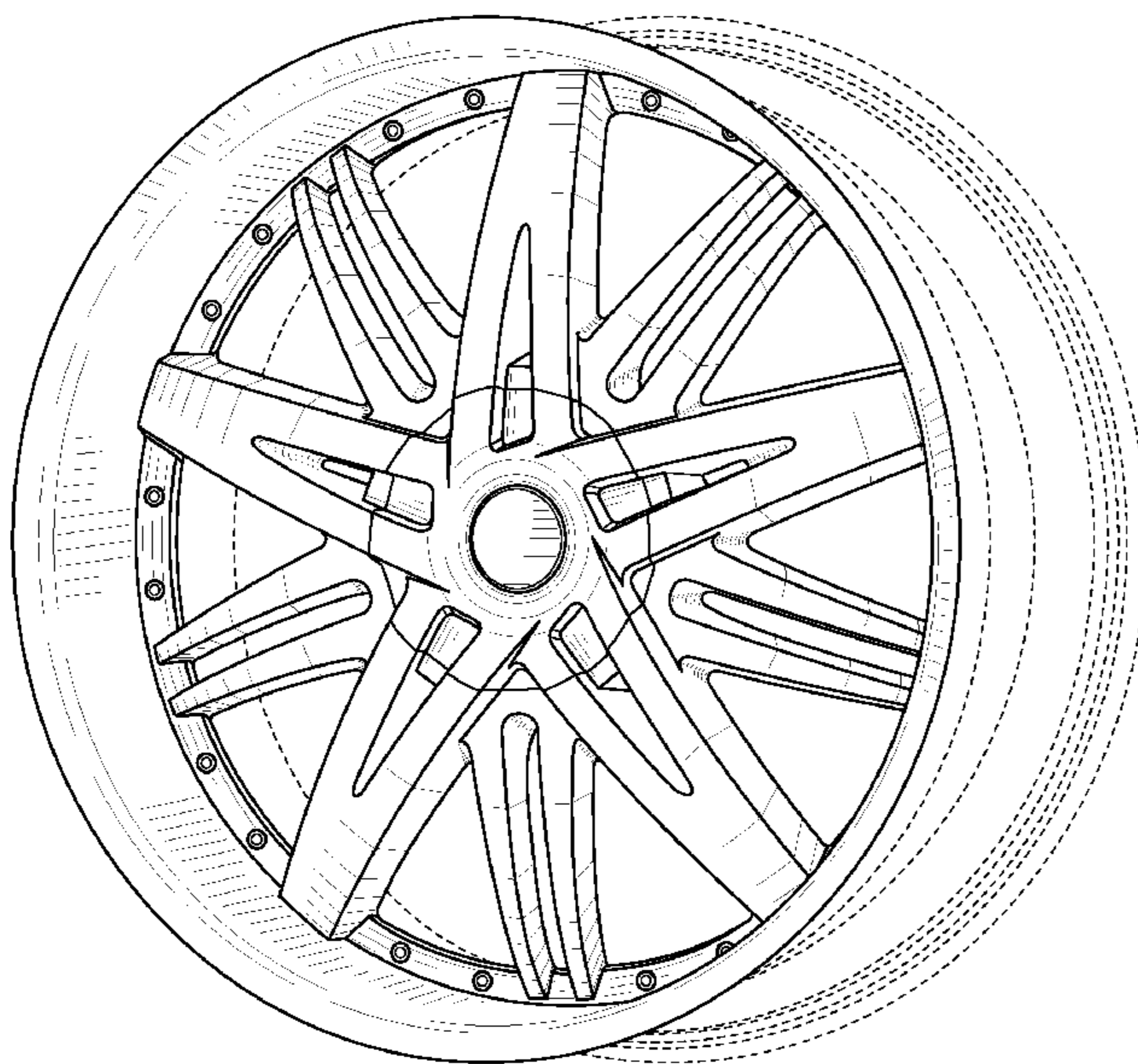
DESCRIPTION

FIG. 1 is a perspective view of a front face of a vehicle wheel embodying my new design; and,

FIG. 2 is a front view thereof.

The broken lines are for illustrative purposes only and form no part of the claimed design.

1 Claim, 2 Drawing Sheets



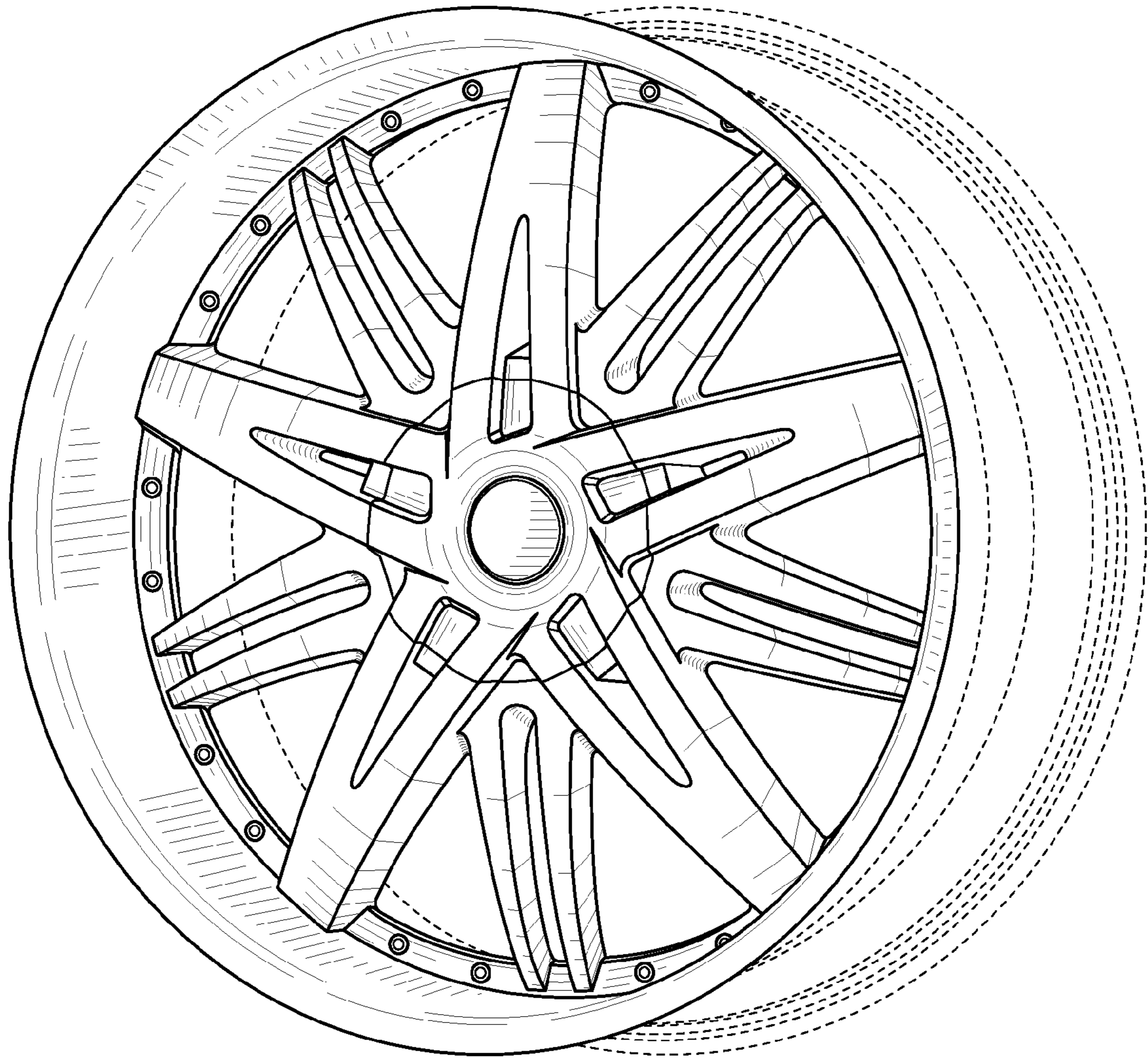


FIG. 1

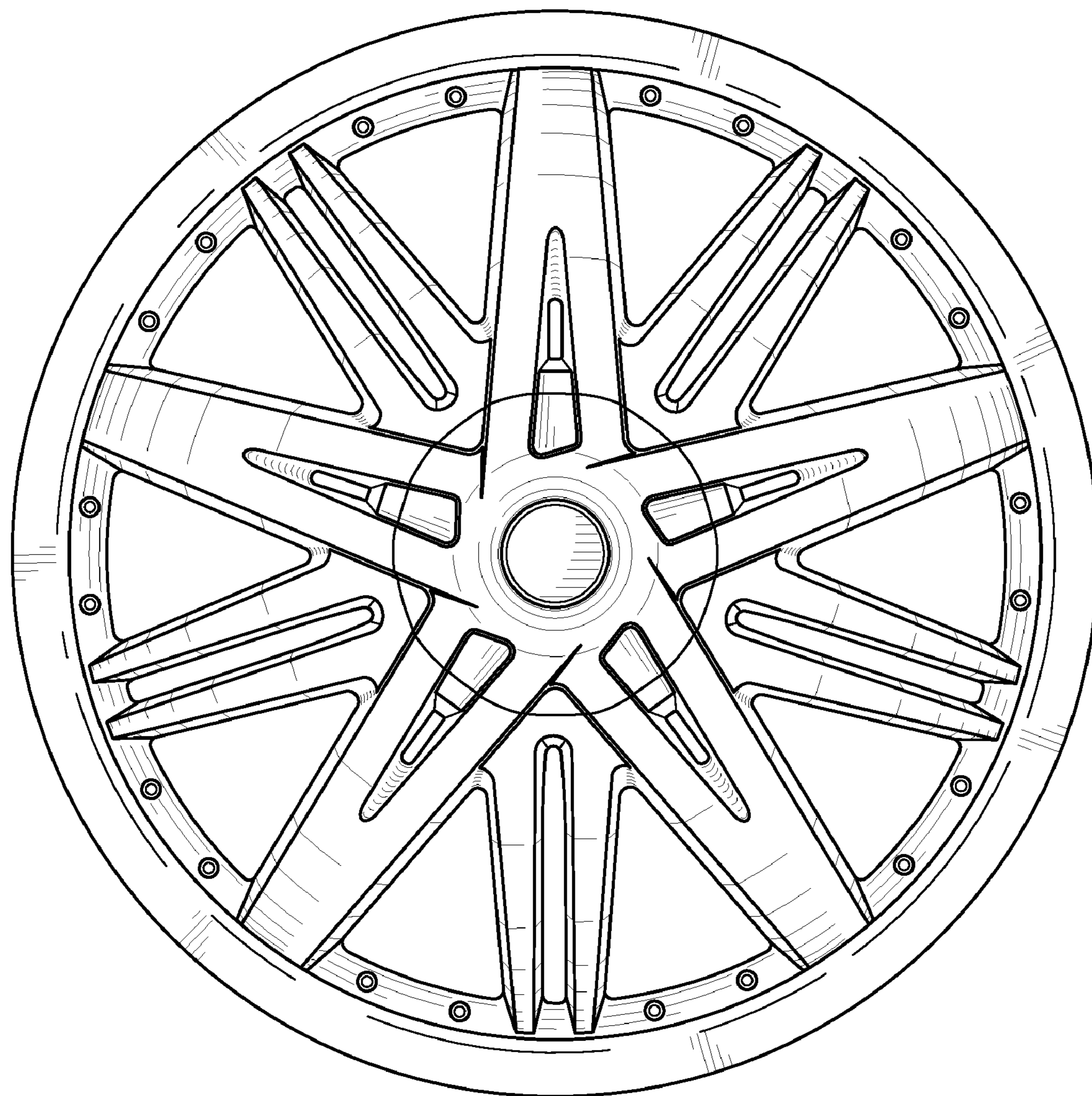


FIG. 2