



US00D618154S

(12) **United States Design Patent**  
**Zhao**

(10) **Patent No.:** **US D618,154 S**  
(45) **Date of Patent:** **\*\* Jun. 22, 2010**

(54) **FRONT FACE OF A VEHICLE WHEEL**

(76) Inventor: **John Zhao**, 283 E. Garvey Ave.,  
Monterey Park, CA (US) 91755

(\*\*) Term: **14 Years**

(21) Appl. No.: **29/353,912**

(22) Filed: **Jan. 15, 2010**

(51) **LOC (9) Cl.** ..... **12-16**

(52) **U.S. Cl.** ..... **D12/209**

(58) **Field of Classification Search** ..... D12/204–213;  
301/37.101, 64.101, 65, 64.201

See application file for complete search history.

(56) **References Cited**

U.S. PATENT DOCUMENTS

D382,242 S *	8/1997	Brown et al.	.....	D12/209
D396,838 S *	8/1998	Mills	.....	D12/209
D442,531 S *	5/2001	Brintouch	.....	D12/204
D464,308 S *	10/2002	Chung	.....	D12/209
D495,287 S *	8/2004	Wang	.....	D12/209
D501,173 S *	1/2005	Walbey, Jr.	.....	D12/209
D512,008 S *	11/2005	Tirado	.....	D12/209
D533,126 S *	12/2006	Looho	.....	D12/209

D535,008 S *	1/2007	Wu	.....	D12/209
D540,731 S *	4/2007	Evans	.....	D12/209
D541,723 S *	5/2007	Musser	.....	D12/209
D547,709 S *	7/2007	James	.....	D12/209
D547,710 S *	7/2007	Guevara	.....	D12/209
D550,138 S *	9/2007	Walbey, Jr.	.....	D12/209
D557,192 S *	12/2007	Walbey, Jr.	.....	D12/209
D575,717 S *	8/2008	Hetrick	.....	D12/209

\* cited by examiner

*Primary Examiner*—Stacia Cadmus

(74) *Attorney, Agent, or Firm*—Procopio, Cory, Hargreaves  
& Savitch LLP

(57) **CLAIM**

The ornamental design for a front face of a vehicle wheel, as shown and described.

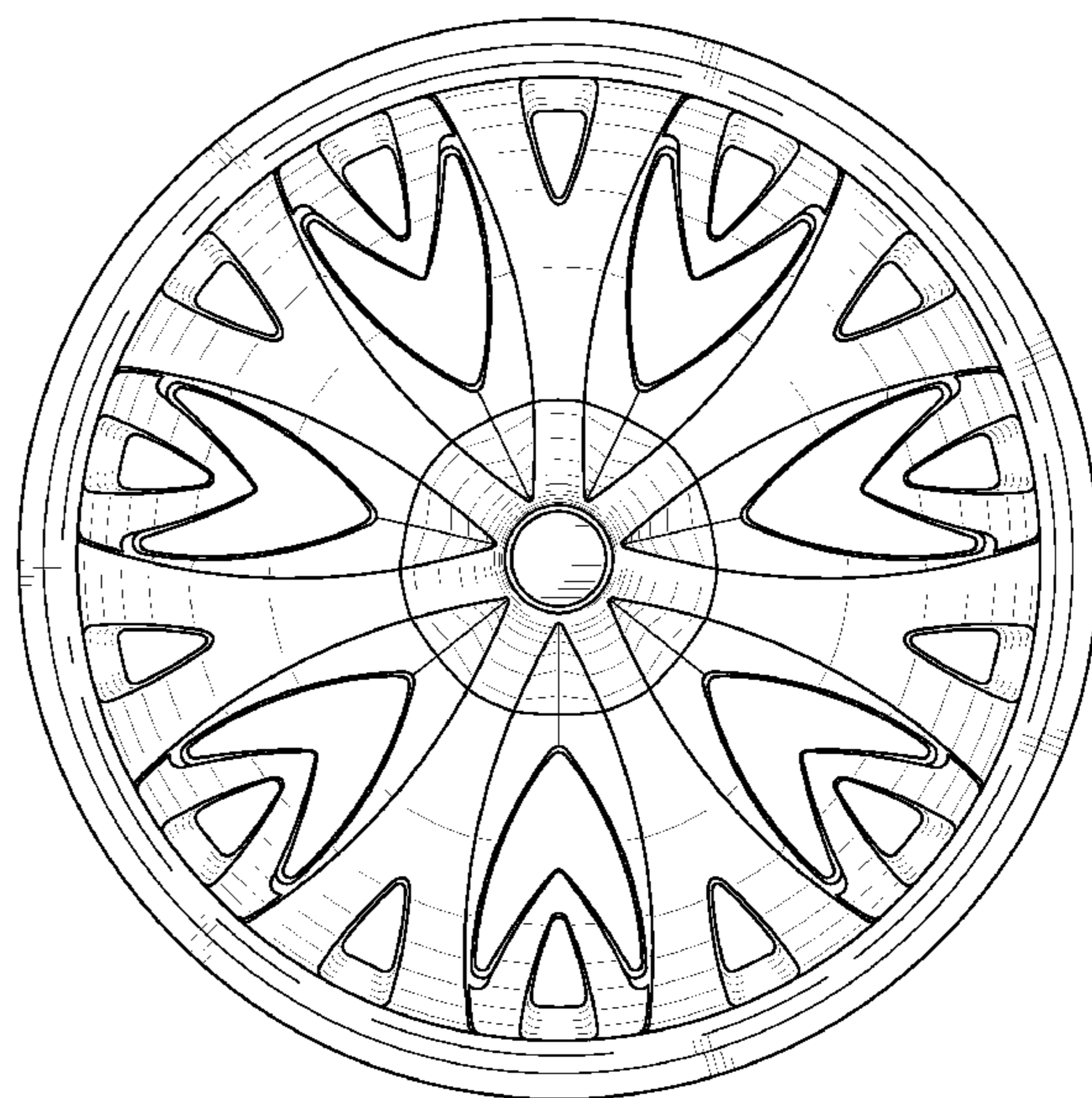
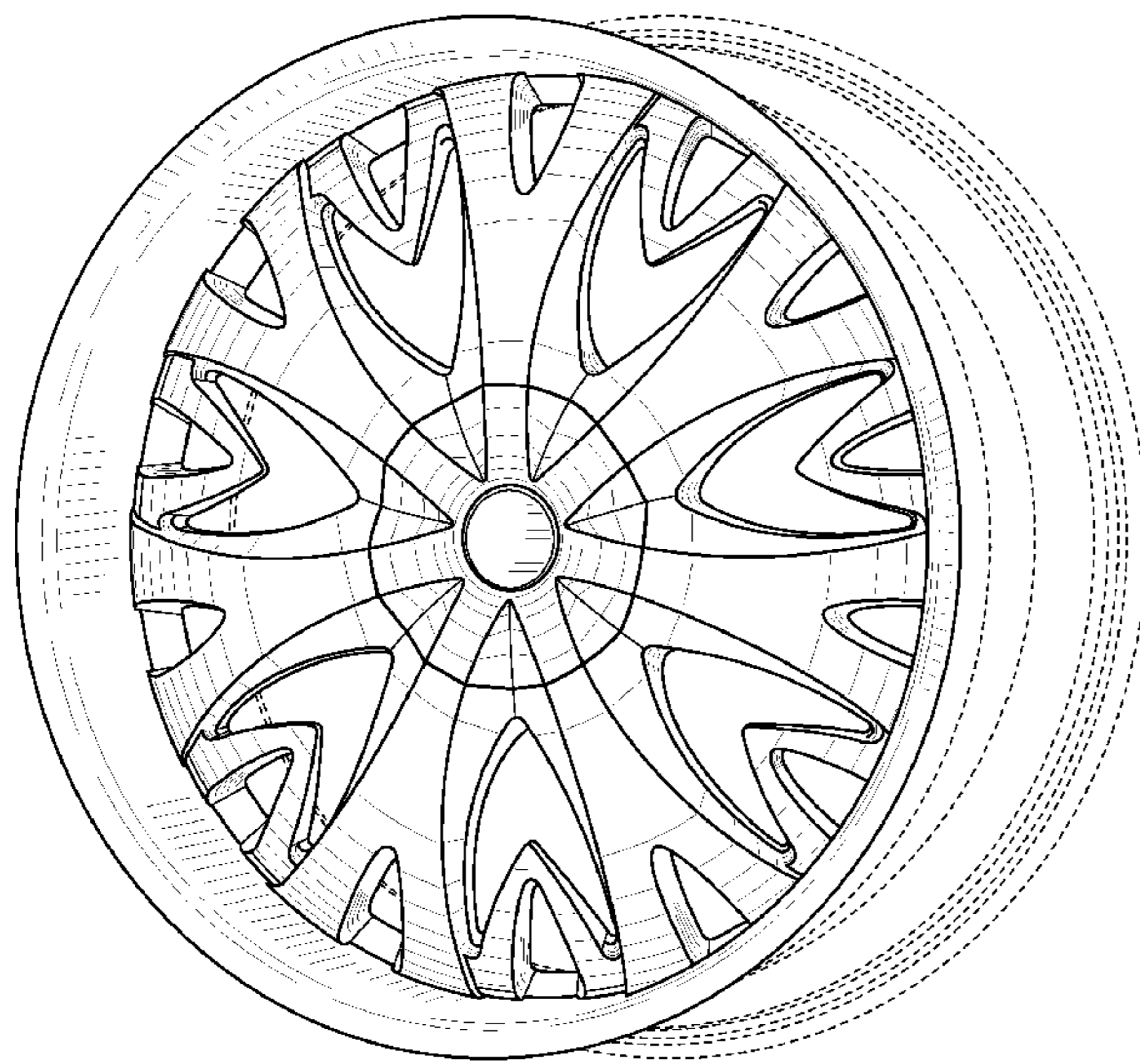
**DESCRIPTION**

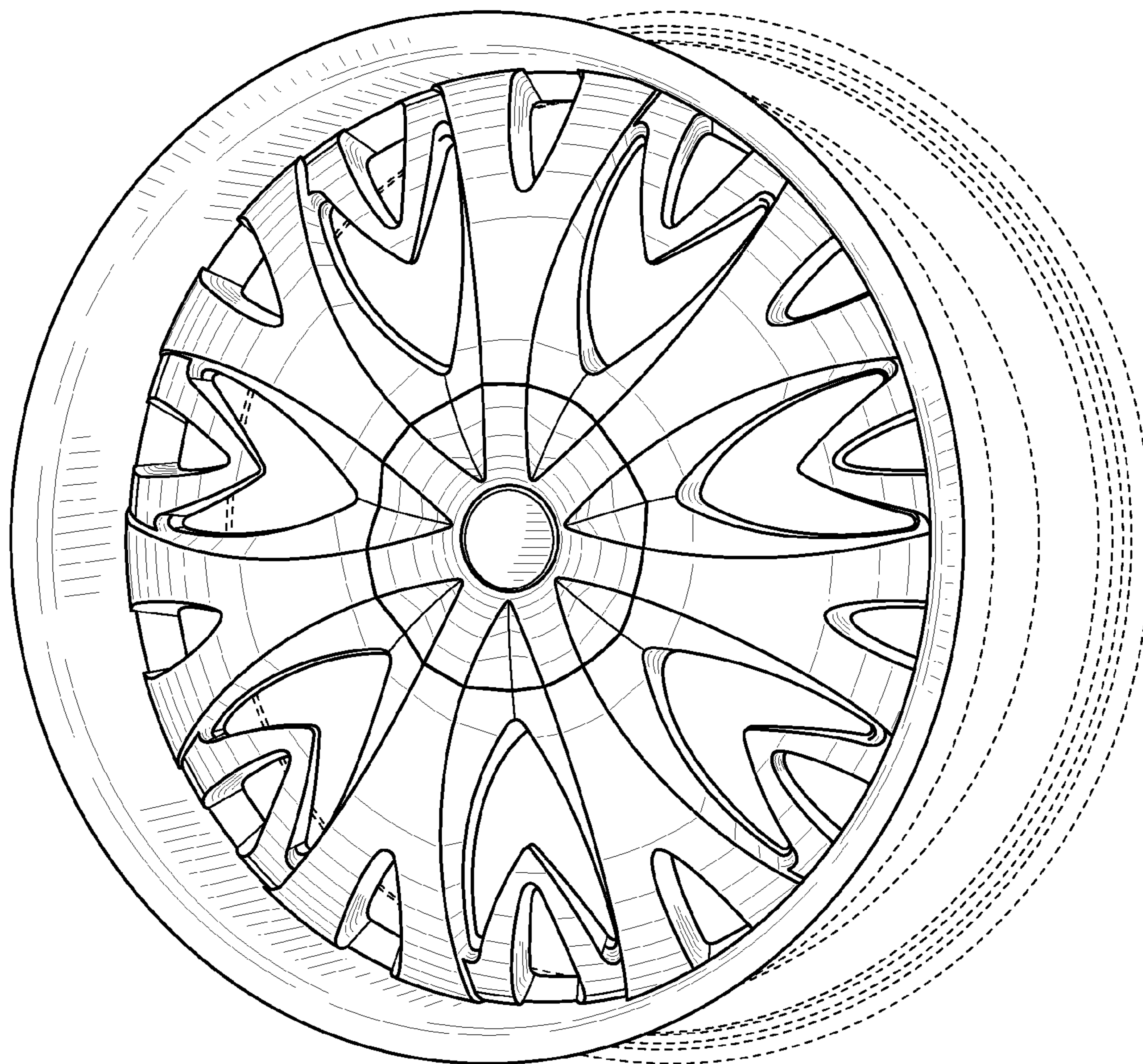
FIG. 1 is a perspective view of a front face of a vehicle wheel embodying my new design; and,

FIG. 2 is a front view thereof.

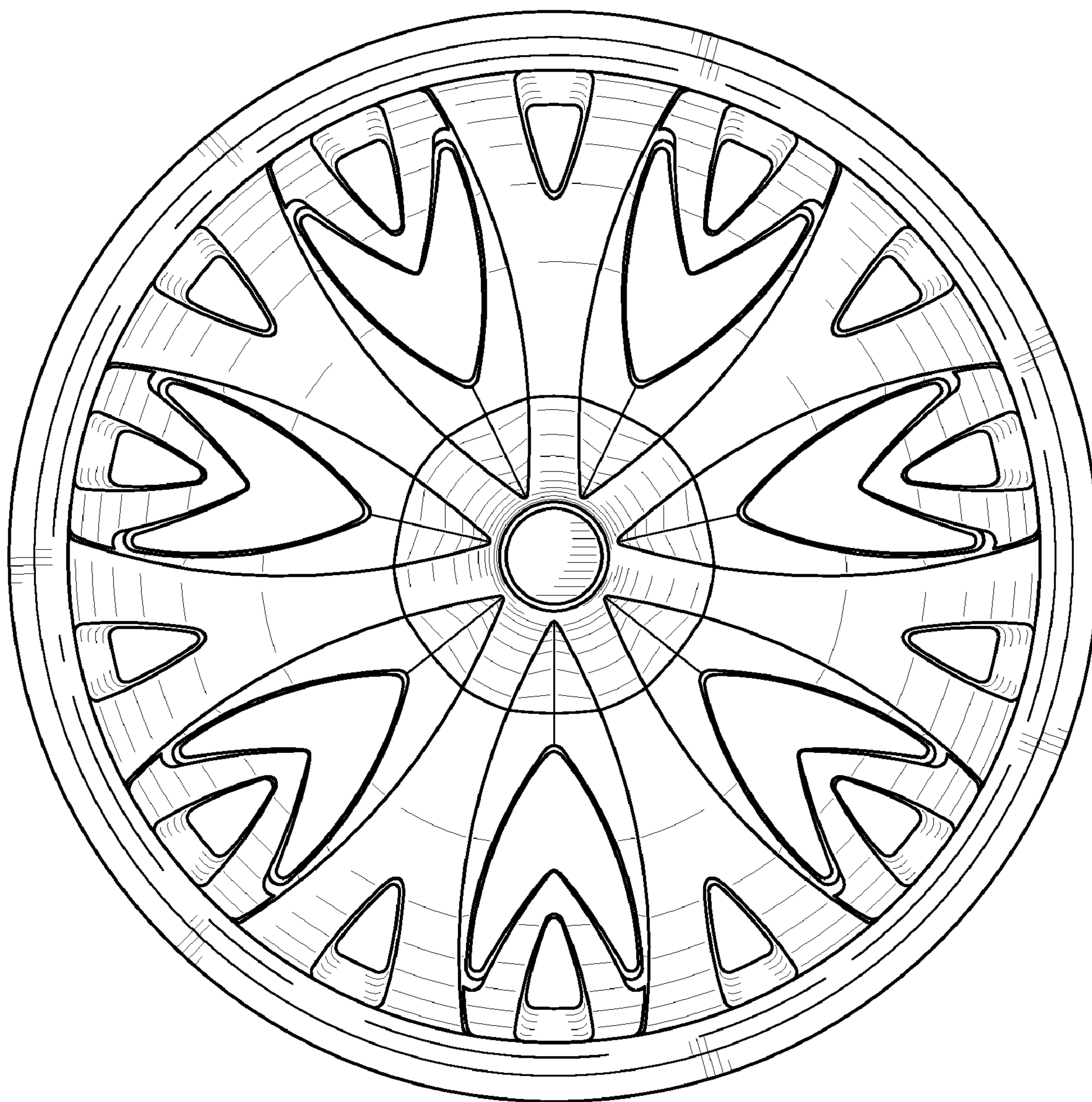
The broken lines are for illustrative purposes only and form no part of the claimed design.

**1 Claim, 2 Drawing Sheets**





**FIG. 1**



**FIG. 2**