



US00D618153S

(12) **United States Design Patent**  
**Zhao**

(10) **Patent No.:** **US D618,153 S**  
(45) **Date of Patent:** **\*\* Jun. 22, 2010**

(54) **FRONT FACE OF A VEHICLE WHEEL**

(76) Inventor: **John Zhao**, 283 E. Garvey Ave.,  
Monterey Park, CA (US) 91755

(\*\*) Term: **14 Years**

(21) Appl. No.: **29/353,576**

(22) Filed: **Jan. 11, 2010**

(51) **LOC (9) Cl.** ..... **12-16**

(52) **U.S. Cl.** ..... **D12/209**

(58) **Field of Classification Search** ..... D12/204–213;  
301/37.101, 64.101, 65, 64.201

See application file for complete search history.

(56) **References Cited**

U.S. PATENT DOCUMENTS

|              |         |             |       |         |
|--------------|---------|-------------|-------|---------|
| D412,149 S * | 7/1999  | Corioni     | ..... | D12/211 |
| D465,185 S * | 11/2002 | Chung       | ..... | D12/211 |
| D471,499 S * | 3/2003  | Cahyono     | ..... | D12/209 |
| D478,855 S * | 8/2003  | Kataoka     | ..... | D12/209 |
| D493,406 S * | 7/2004  | Kataoka     | ..... | D12/211 |
| D502,680 S * | 3/2005  | Frizzi      | ..... | D12/211 |
| D504,650 S * | 5/2005  | Ishiwata    | ..... | D12/209 |
| D515,996 S * | 2/2006  | Baumgartner | ..... | D12/209 |

|              |         |                    |       |         |
|--------------|---------|--------------------|-------|---------|
| D522,953 S * | 6/2006  | Guevara            | ..... | D12/211 |
| D525,931 S * | 8/2006  | Chen               | ..... | D12/211 |
| D540,733 S * | 4/2007  | Castiglione        | ..... | D12/211 |
| D576,533 S * | 9/2008  | Gallert            | ..... | D12/209 |
| D579,396 S * | 10/2008 | Osborne            | ..... | D12/209 |
| D595,631 S * | 7/2009  | Musser             | ..... | D12/211 |
| D599,267 S * | 9/2009  | Morgenstern et al. | ..... | D12/211 |

\* cited by examiner

*Primary Examiner*—Stacia Cadmus

(74) *Attorney, Agent, or Firm*—Procopio, Cory, Hargreaves & Savitch LLP

(57) **CLAIM**

The ornamental design for a front face of a vehicle wheel, as shown and described.

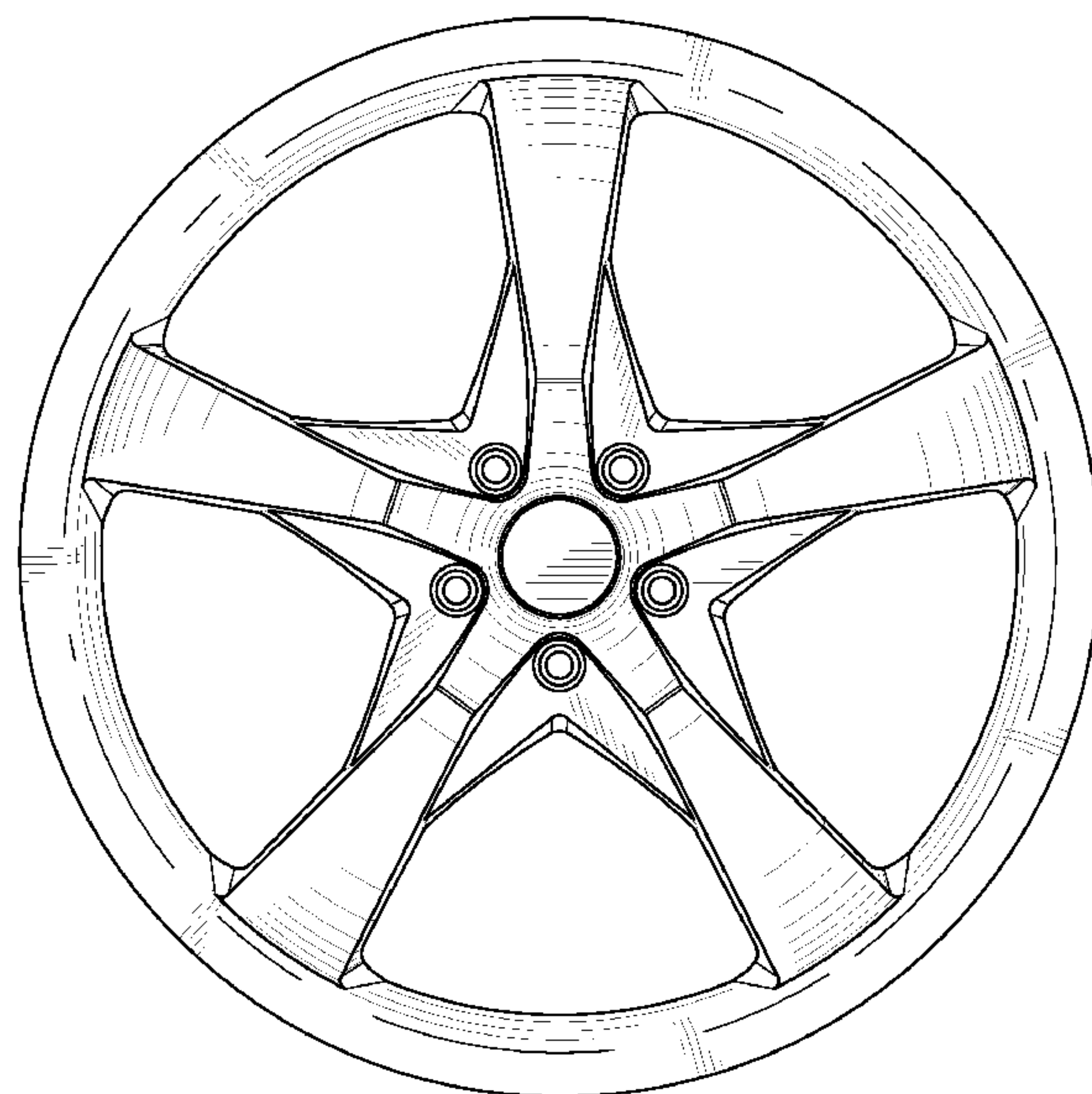
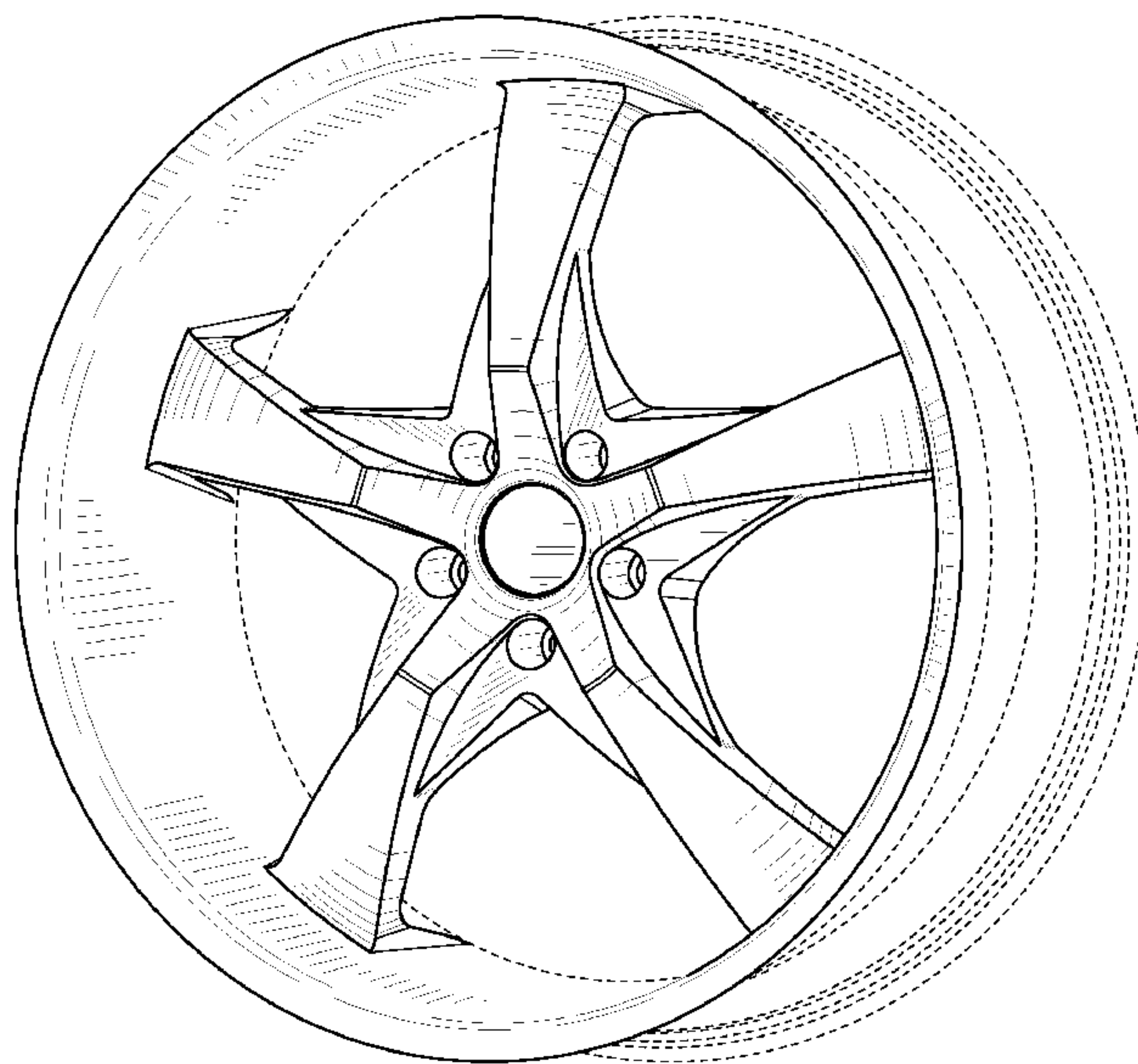
**DESCRIPTION**

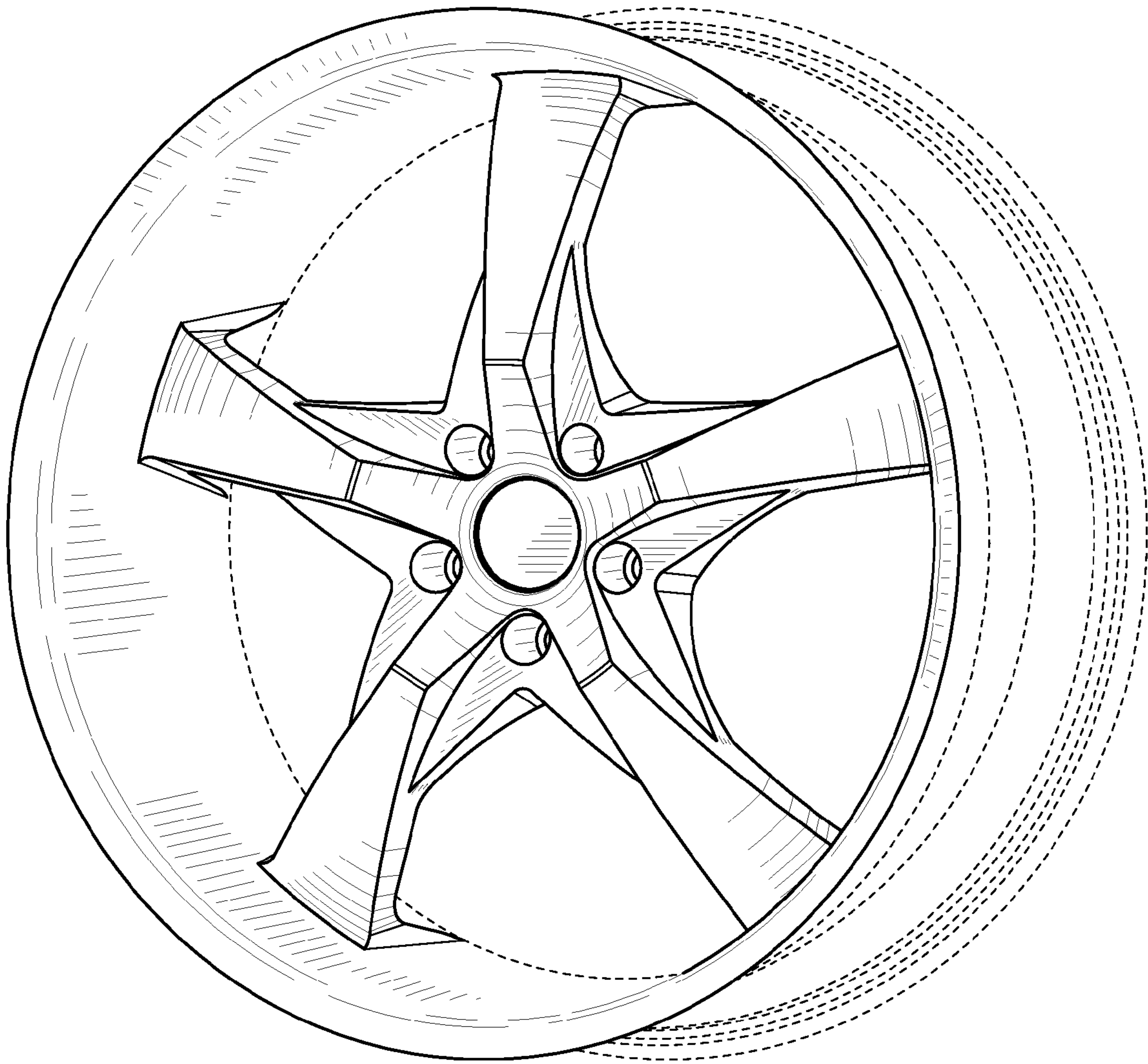
FIG. 1 is a perspective view of a front face of a vehicle wheel embodying my new design; and,

FIG. 2 is a front view thereof.

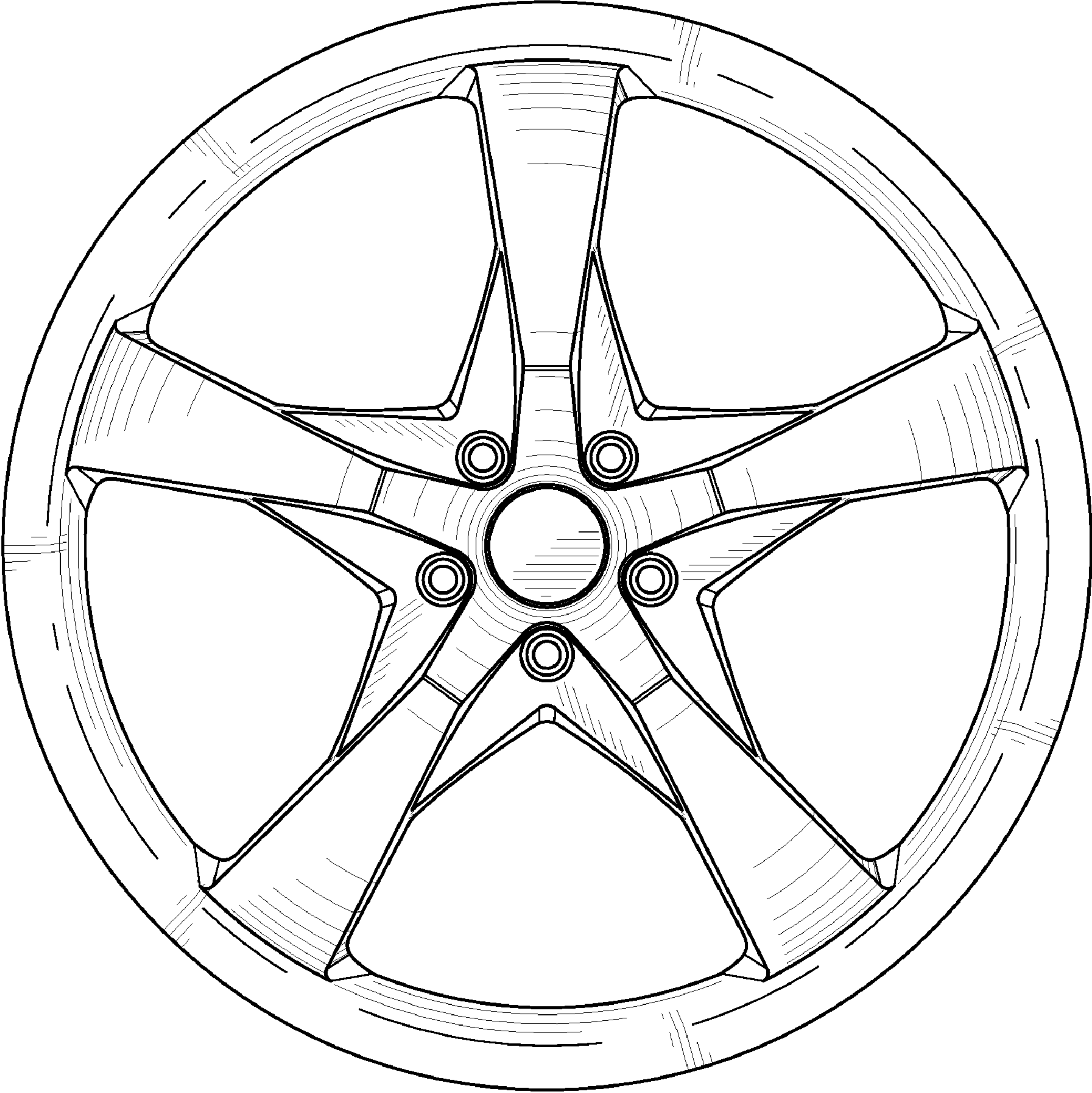
The broken lines are for illustrative purposes only and form no part of the claimed design.

**1 Claim, 2 Drawing Sheets**





**FIG. 1**



**FIG. 2**