



US00D618152S

(12) **United States Design Patent**
Juergens et al.

(10) **Patent No.:** **US D618,152 S**
(45) **Date of Patent:** **** Jun. 22, 2010**

(54) **WHEEL OR WHEEL COVER**

(75) Inventors: **Dirk Juergens**, Munich (DE); **Rainer Mueller**, Munich (DE)

(73) Assignee: **Bayerische Motoren Werke Aktiengesellschaft**, Munich (DE)

(**) Term: **14 Years**

(21) Appl. No.: **29/347,282**

(22) Filed: **Nov. 19, 2009**

(30) **Foreign Application Priority Data**

May 20, 2009 (DE) 402009002602

(51) **LOC (9) Cl.** **12-16**

(52) **U.S. Cl.** **D12/209**

(58) **Field of Classification Search** D12/204–213;
301/37.101, 64.101, 65, 64.201
See application file for complete search history.

(56) **References Cited**

U.S. PATENT DOCUMENTS

- D410,617 S * 6/1999 Hussaini et al. D12/209
- D419,942 S * 2/2000 Lampkin D12/209
- D451,461 S * 12/2001 Arellano D12/209
- D460,396 S * 7/2002 Kember et al. D12/209
- D487,881 S * 3/2004 Laengerer D12/209
- D491,124 S 6/2004 Rice
- D506,428 S * 6/2005 Hussaini et al. D12/209
- D512,007 S * 11/2005 Sze D12/209
- D520,431 S 5/2006 Truebsbach

- D560,585 S 1/2008 Blasi
- D585,805 S * 2/2009 Friedrich et al. D12/209
- D593,018 S * 5/2009 Juergens et al. D12/209
- D593,920 S * 6/2009 Juergens et al. D12/209

FOREIGN PATENT DOCUMENTS

- EM 000010442-0004 7/2003
- EM 000330774-0003 6/2005
- EM 000624812-0004 3/2008
- EM 001598277-0009 1/2010

* cited by examiner

Primary Examiner—Stacia Cadmus

(74) *Attorney, Agent, or Firm*—Crowell & Moring LLP

(57) **CLAIM**

The ornamental design for a wheel or wheel cover, as shown and described.

DESCRIPTION

This application contains subject matter related to the following pending U.S. design patent application:

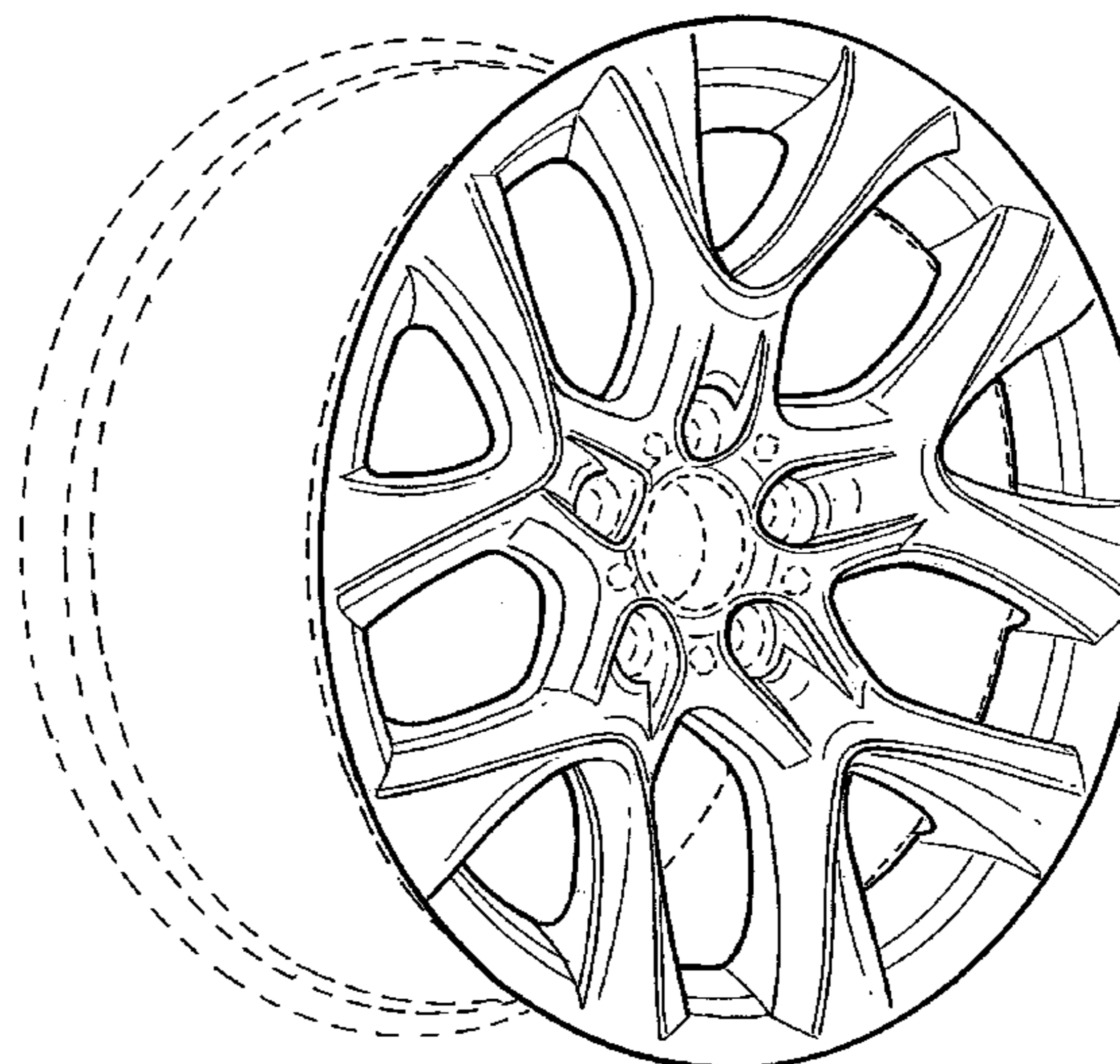
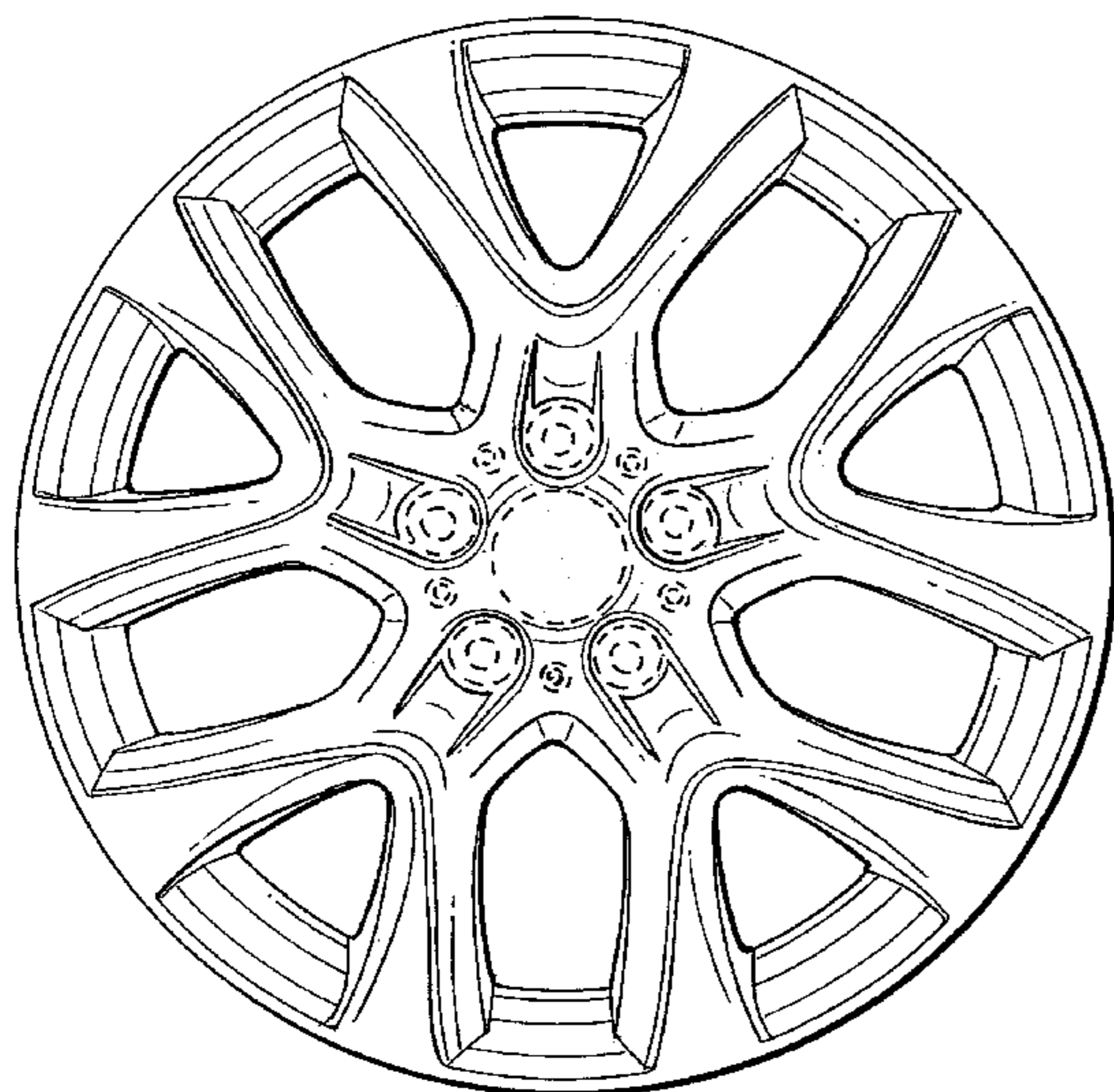
Application Ser. No. 29/347,017.

FIG. 1 is a front view of a wheel or wheel cover according to our design; and,

FIG. 2 is a perspective view thereof.

The broken line showing of the rear of the rim and the bolt holes and center hole in the central hub area is included for the purpose of illustrating environment and forms no part of the claimed design.

1 Claim, 1 Drawing Sheet



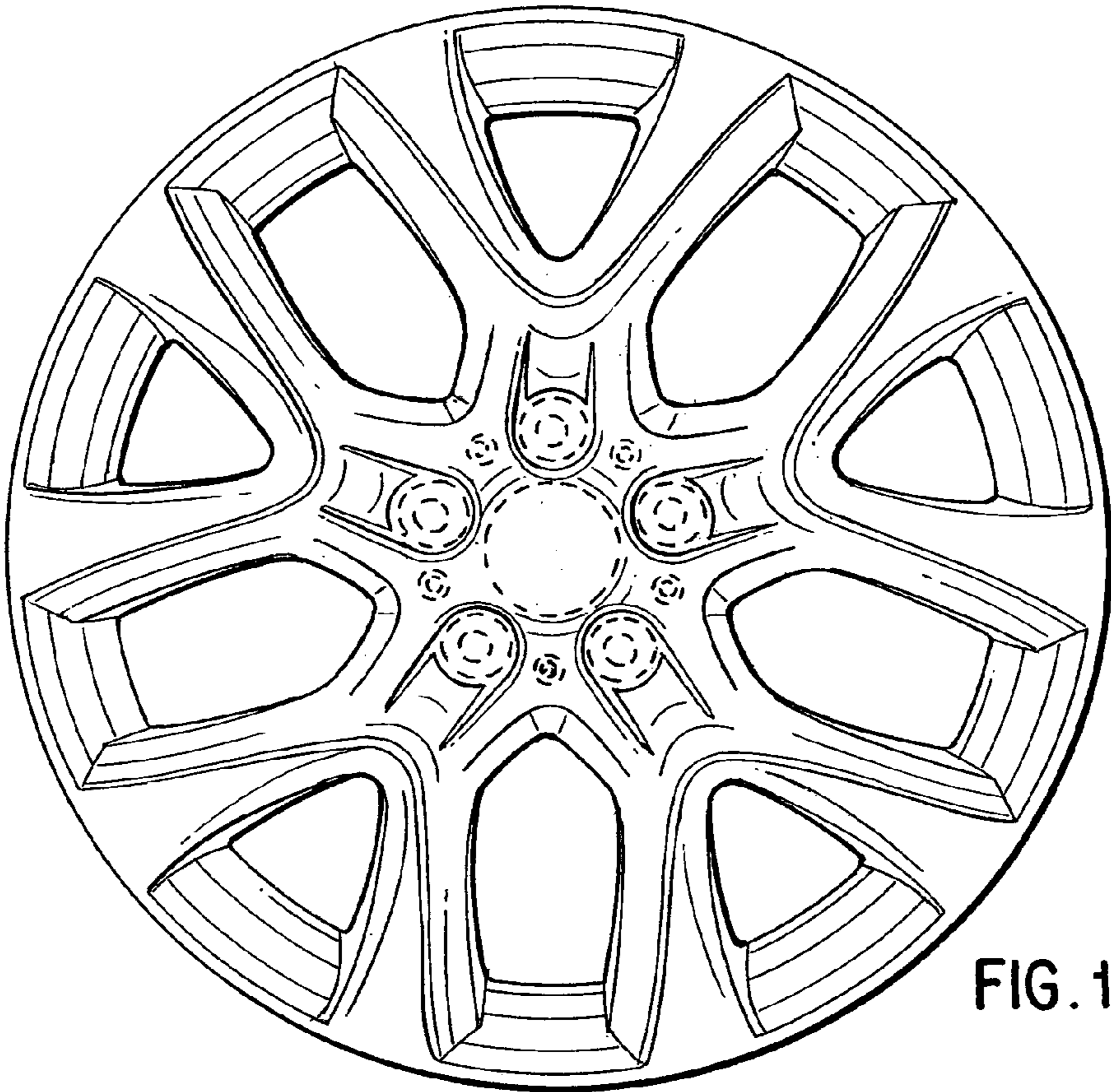


FIG. 1

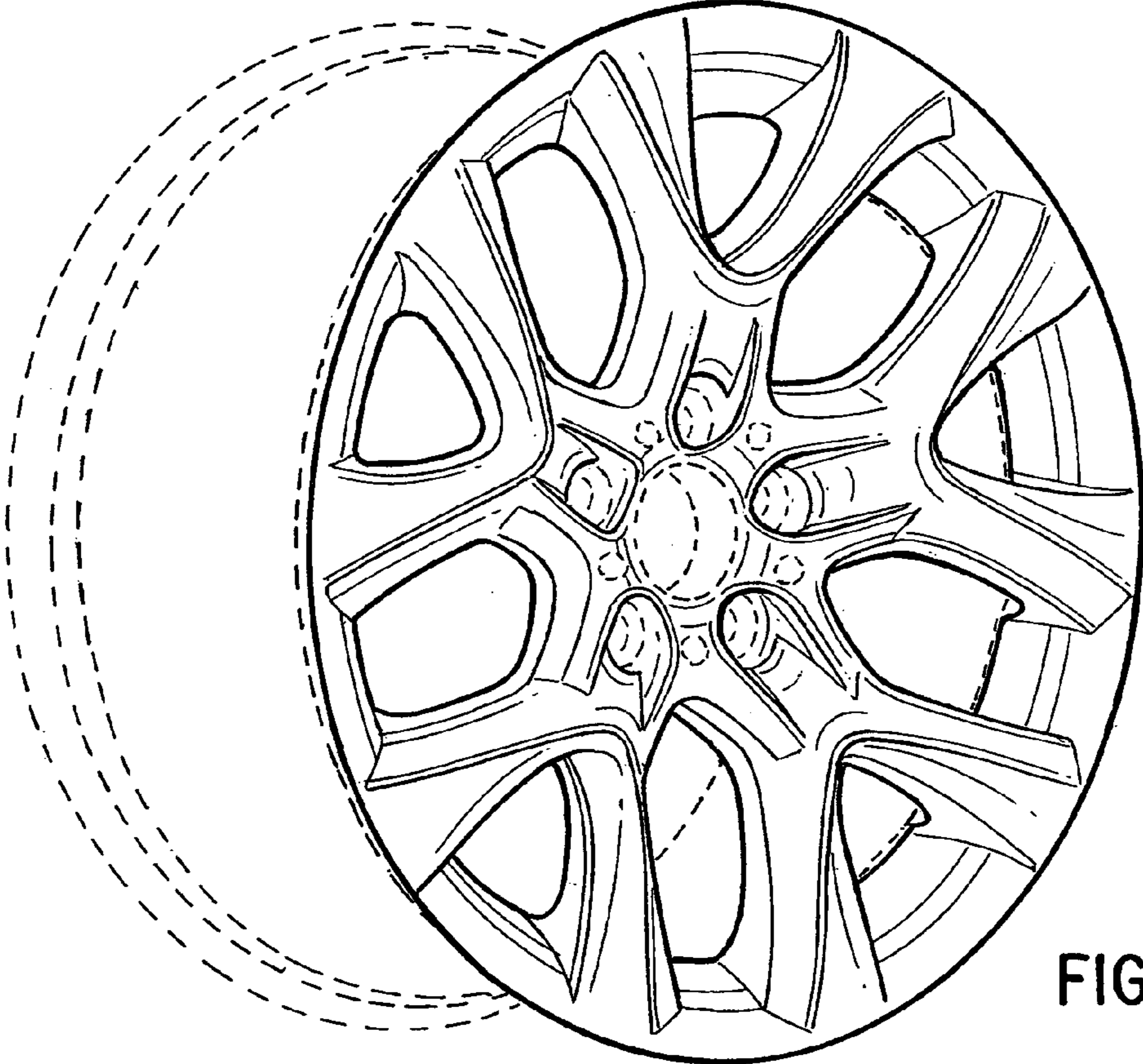


FIG. 2