



US00D618150S

(12) **United States Design Patent**
Hilpert

(10) **Patent No.:** **US D618,150 S**
(45) **Date of Patent:** **** Jun. 22, 2010**

(54) **WHEEL OR WHEEL COVER**

(75) Inventor: **Kai Hilpert**, Plochingen (DE)

(73) Assignee: **Daimler AG**, Stuttgart (DE)

(**) Term: **14 Years**

(21) Appl. No.: **29/311,876**

(22) Filed: **Jul. 22, 2009**

(30) **Foreign Application Priority Data**

Feb. 27, 2009 (EM) 001096606-0004

(51) **LOC (9) Cl.** **12-16**

(52) **U.S. Cl.** **D12/209**

(58) **Field of Classification Search** D12/204-213;
301/37.101, 64.101, 65, 64.201

See application file for complete search history.

(56) **References Cited**

U.S. PATENT DOCUMENTS

D437,821 S *	2/2001	Frohlich	D12/211
D504,098 S *	4/2005	Gallert	D12/209
D542,211 S *	5/2007	Hieke	D12/211
D544,823 S *	6/2007	Hieke	D12/211

D569,776 S *	5/2008	Hieke	D12/211
D572,646 S *	7/2008	Hieke	D12/209
D582,328 S *	12/2008	Hieke	D12/209
D602,834 S *	10/2009	Dilber	D12/211
D604,221 S *	11/2009	Krisch	D12/211
D604,222 S *	11/2009	Krisch	D12/211
D604,223 S *	11/2009	Dilber	D12/211

* cited by examiner

Primary Examiner—Stacia Cadmus

(74) *Attorney, Agent, or Firm*—Crowell & Moring LLP

(57) **CLAIM**

The ornamental design for a wheel or wheel cover, as shown and described.

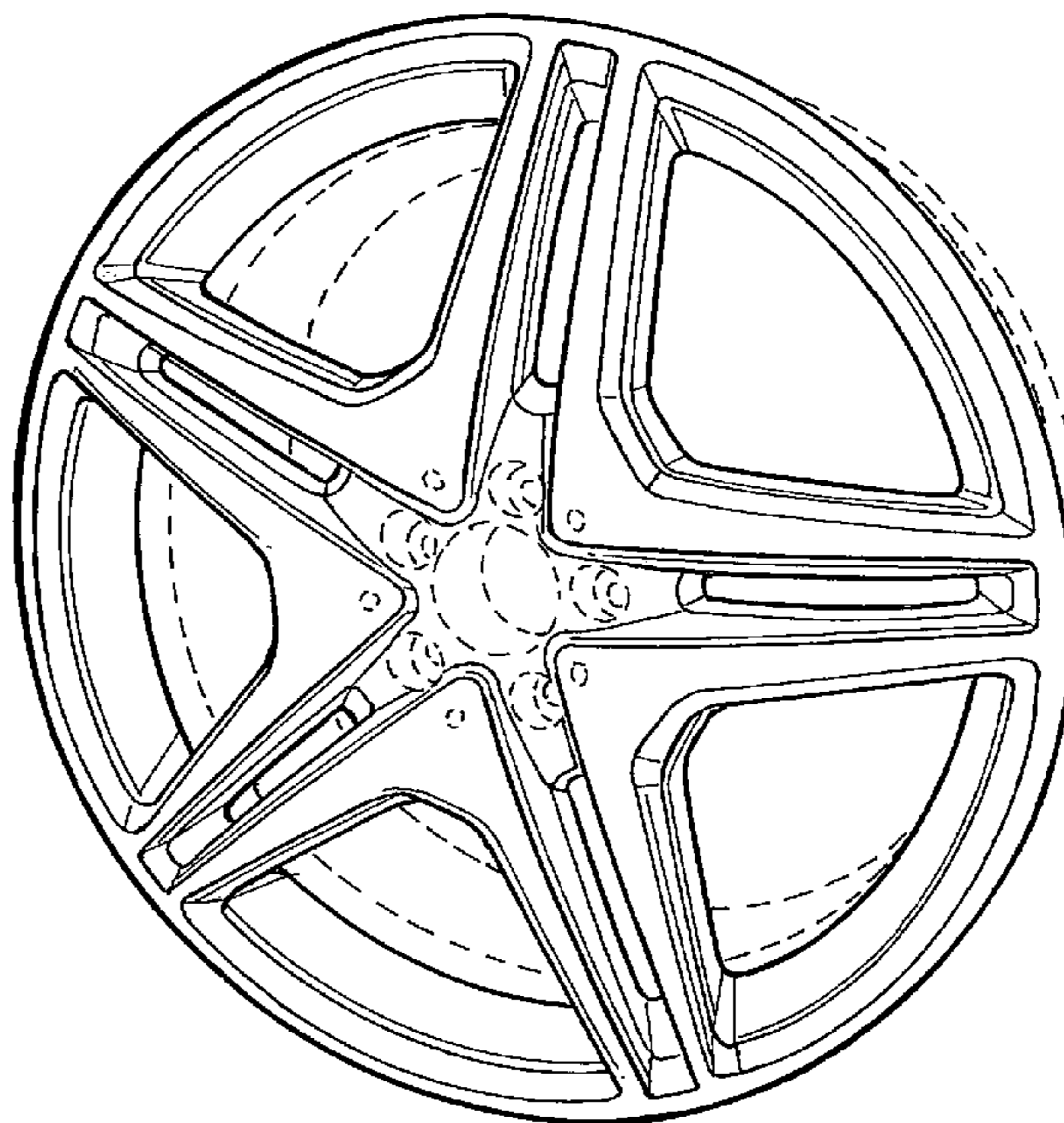
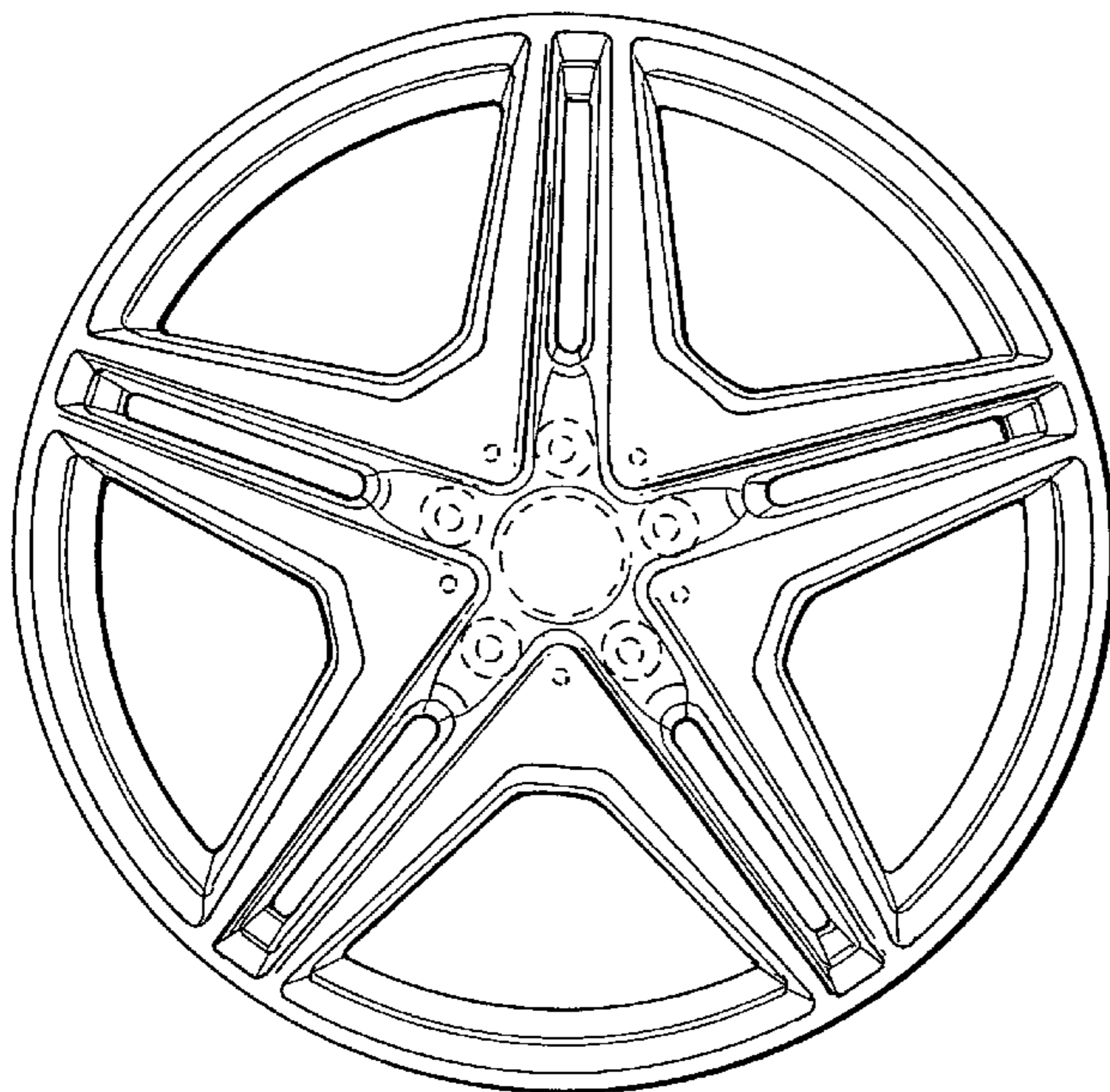
DESCRIPTION

FIG. 1 is a front view of a wheel or wheel cover according to my design; and,

FIG. 2 is a perspective view thereof.

The broken line showing of the rear of the rim and the bolt holes and center hole in the central hub area is included for the purpose of illustrating environment and forms no part of the claimed design.

1 Claim, 1 Drawing Sheet



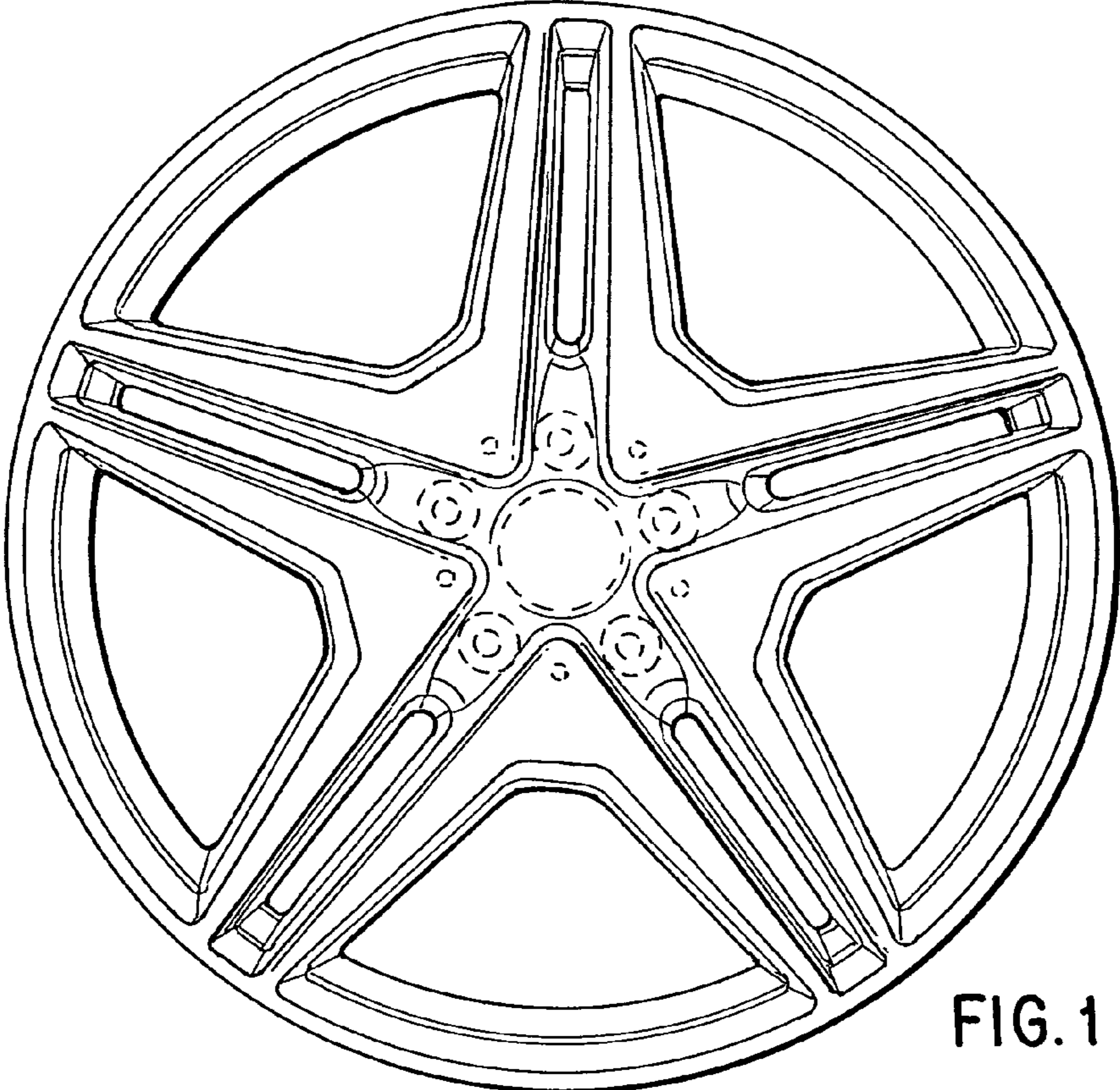


FIG. 1

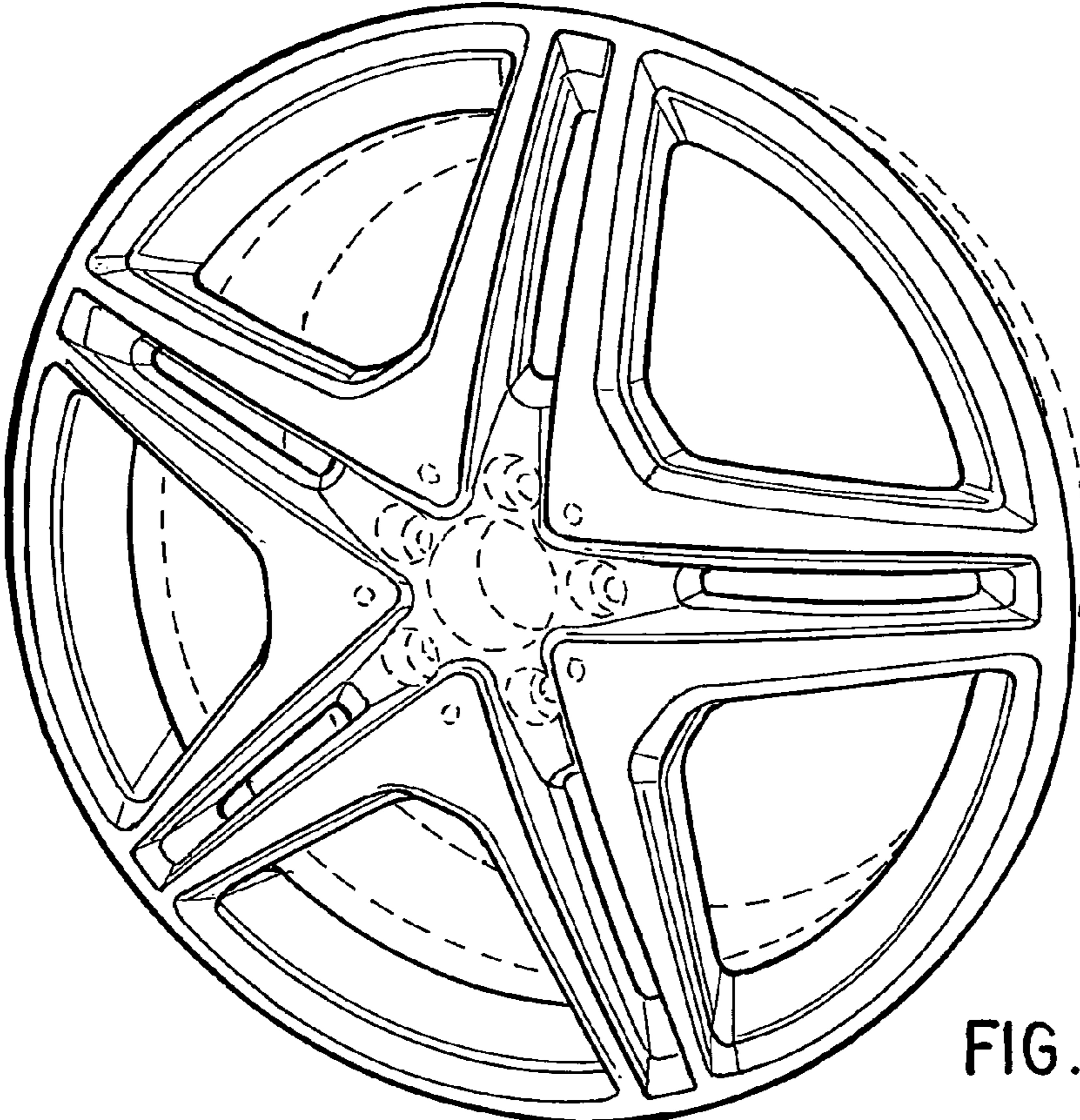


FIG. 2