



US00D618148S

(12) **United States Design Patent**
Hoppert

(10) **Patent No.:** **US D618,148 S**

(45) **Date of Patent:** **** Jun. 22, 2010**

(54) **RAIL STEP**

(76) Inventor: **David J. Hoppert**, 1085 Deer Run La.,
Woodburn, OR (US) 97071

(**) Term: **14 Years**

(21) Appl. No.: **29/356,340**

(22) Filed: **Feb. 24, 2010**

Related U.S. Application Data

(63) Continuation-in-part of application No. 29/292,126,
filed on Sep. 28, 2007.

(51) **LOC (9) Cl.** **12-16**

(52) **U.S. Cl.** **D12/203**

(58) **Field of Classification Search** D12/106,
D12/102, 203; D25/126–129, 136, 123,
D25/62, 69; 280/163, 164.1, 166, 169, 607,
280/164.2, 165; 52/846, 630; 220/1.5
See application file for complete search history.

(56) **References Cited**

U.S. PATENT DOCUMENTS

D233,663 S *	11/1974	Facer et al.	D25/126
D258,839 S *	4/1981	Broyles	D25/69
D414,881 S *	10/1999	Giese	D25/123
D470,598 S *	2/2003	Schneider et al.	D25/38
D519,430 S *	4/2006	Moody	D12/203
D535,928 S *	1/2007	Crandall	D12/203
D567,729 S *	4/2008	Crandall	D12/203

2008/0018074 A1* 1/2008 Steffens et al. 280/163

* cited by examiner

Primary Examiner—Caron Veynar

Assistant Examiner—George D Kirschbaum

(74) *Attorney, Agent, or Firm*—Mark S. Hubert

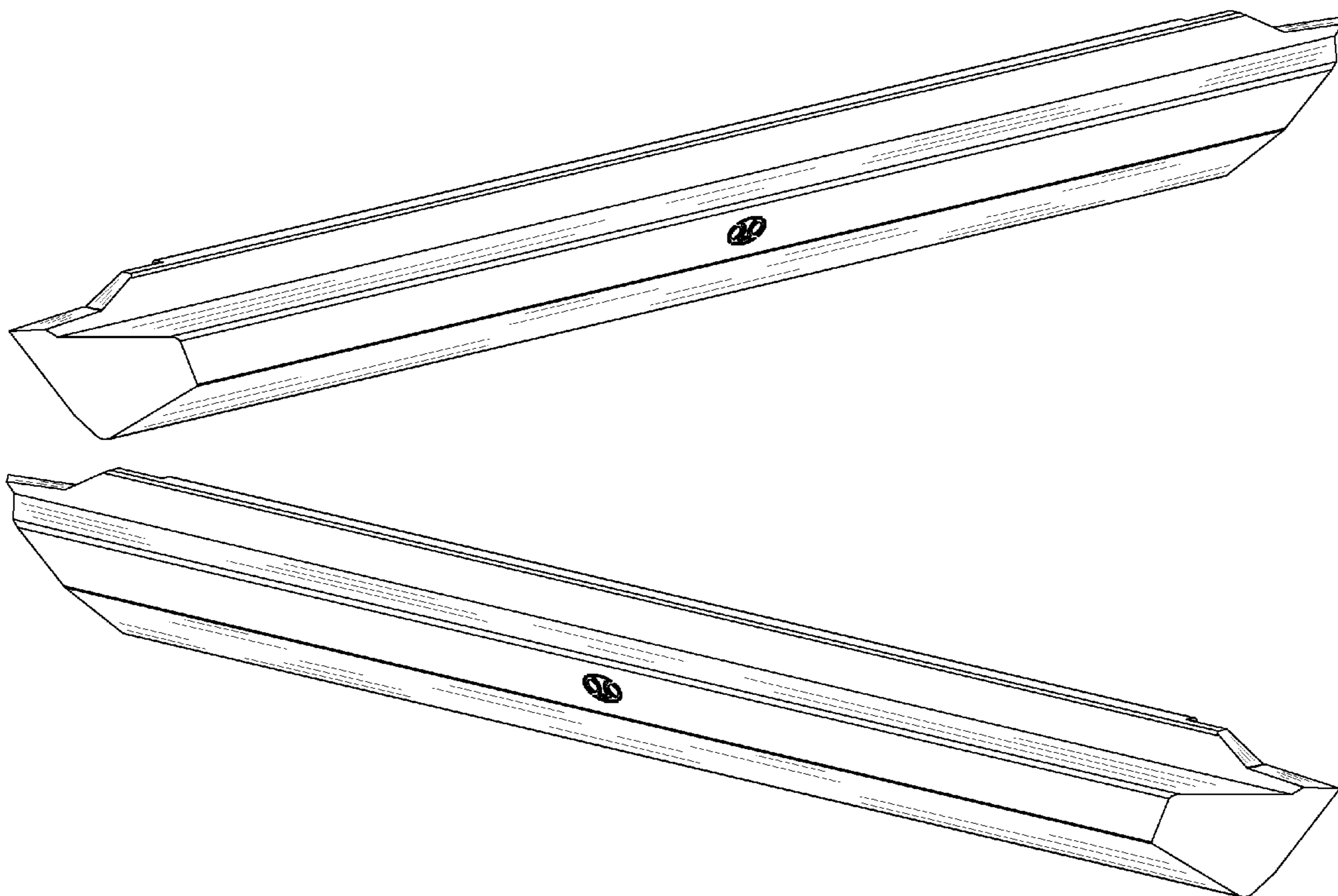
(57) **CLAIM**

The ornamental design for a rail step, as shown and described.

DESCRIPTION

FIG. 1 is a top view of the rail step;
 FIG. 2 is a front view of the rail step;
 FIG. 3 is a bottom view of the rail step;
 FIG. 4 is a right end view of the rail step;
 FIG. 5 is a rear view of the rail step;
 FIG. 6 is a left end view of the rail step;
 FIG. 7 is a cross-sectional view taken along line 7—7 of FIG. 1;
 FIG. 8 is a cross-sectional view taken along line 8—8 of FIG. 1;
 FIG. 9 is a cross-sectional view taken along line 9—9 of FIG. 1;
 FIG. 10 is a front left perspective view of the rail step;
 FIG. 11 is a front right perspective view of the rail step; and,
 FIG. 12 is a rear perspective view of the rail step.

1 Claim, 6 Drawing Sheets



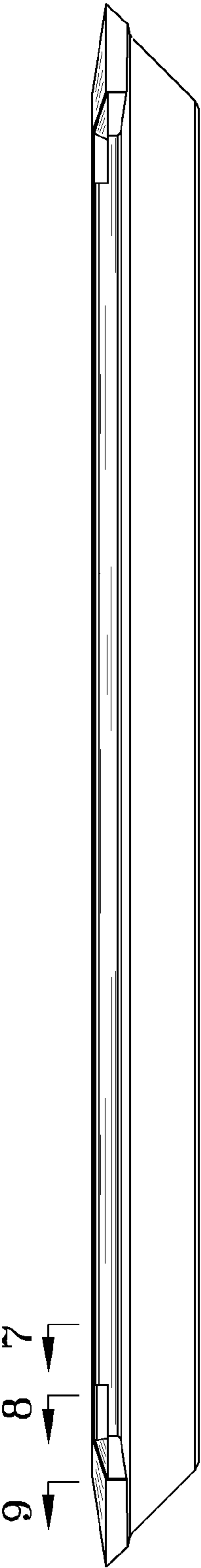


FIG. 1

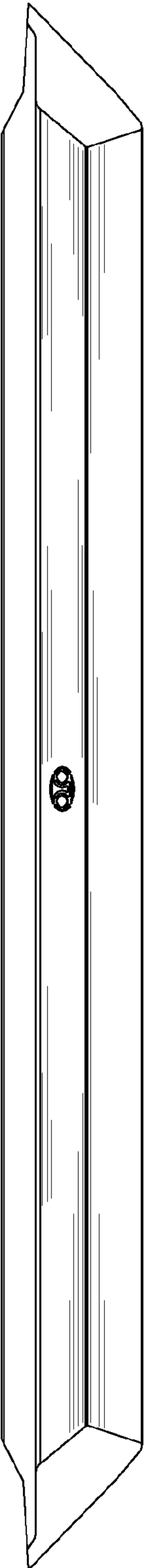


FIG. 2

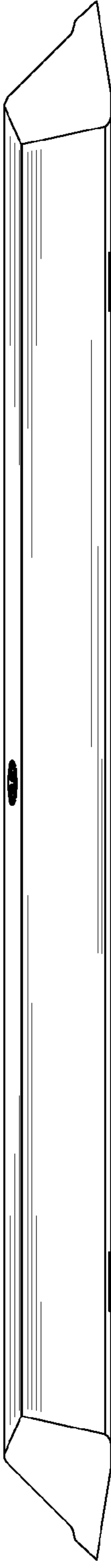


FIG. 3

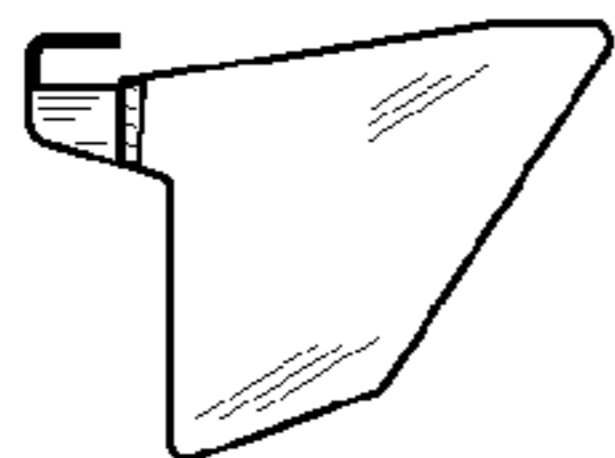


FIG. 4

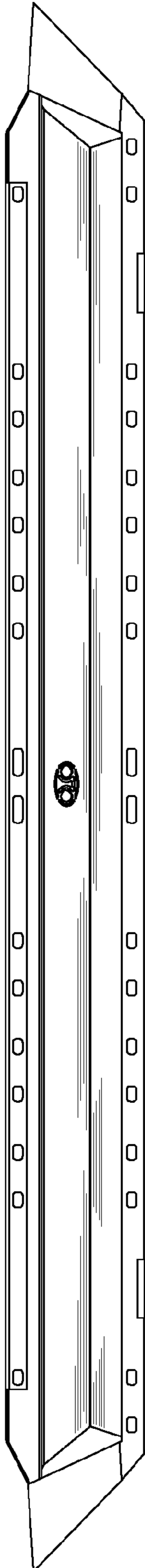


FIG. 5

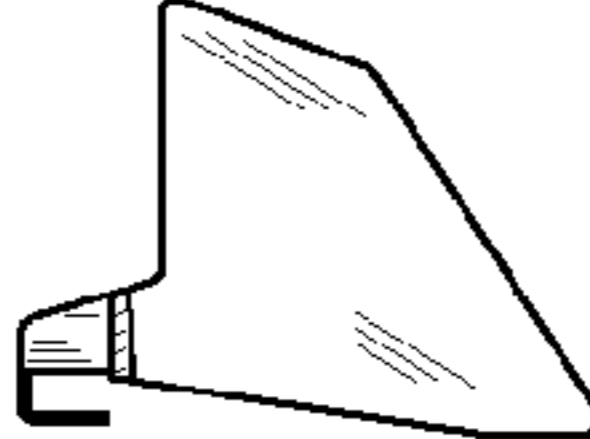


FIG. 6

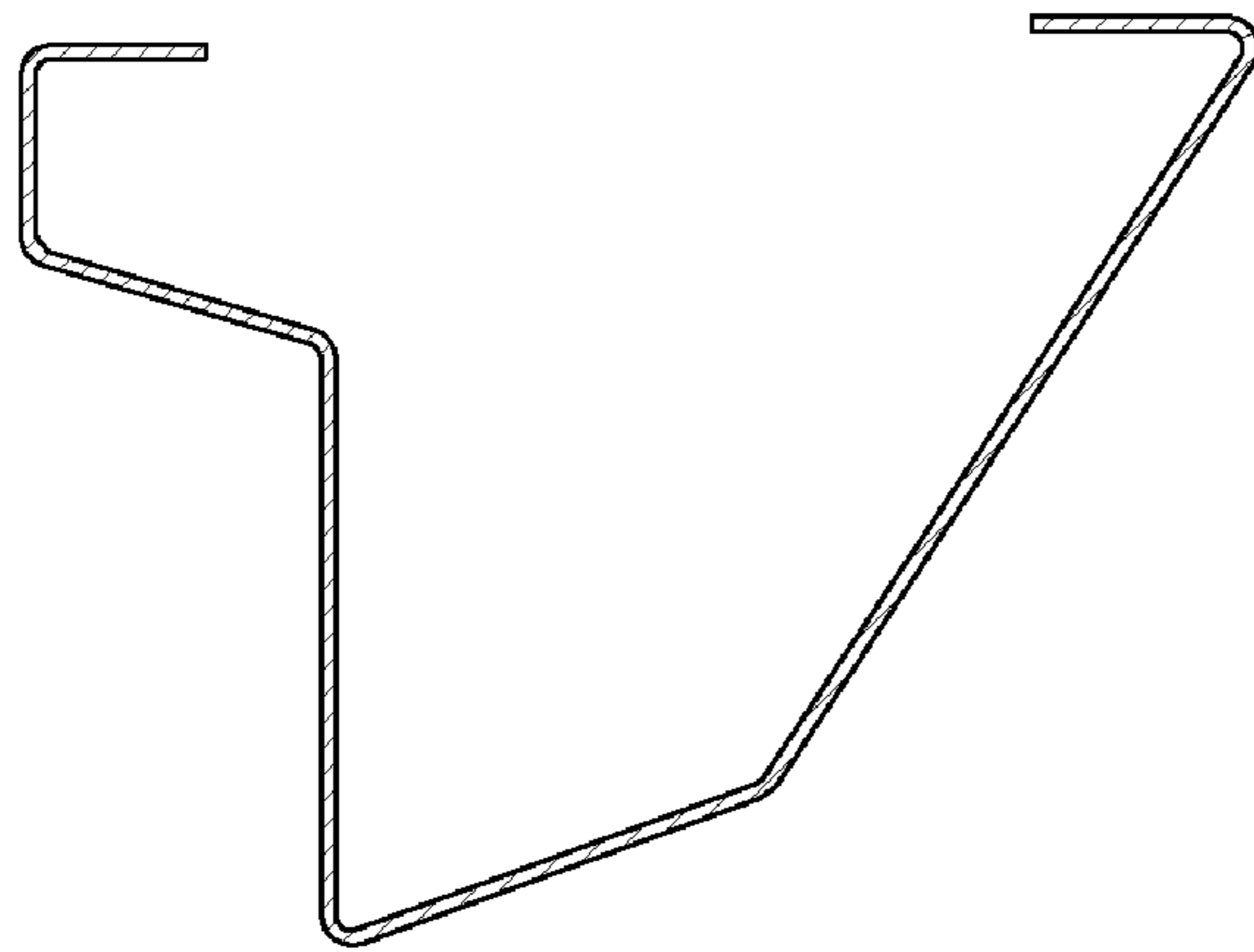


FIG. 7

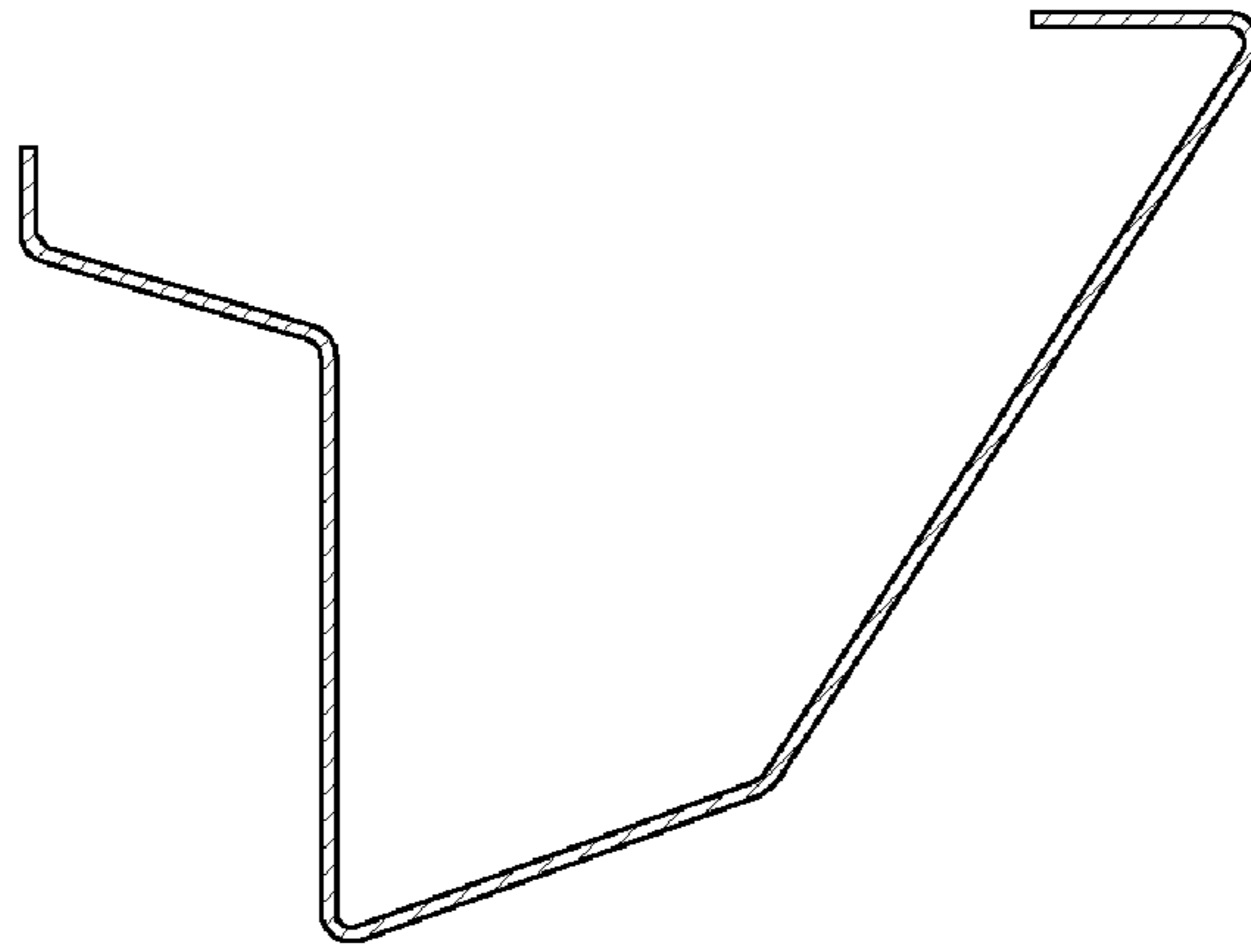


FIG. 8

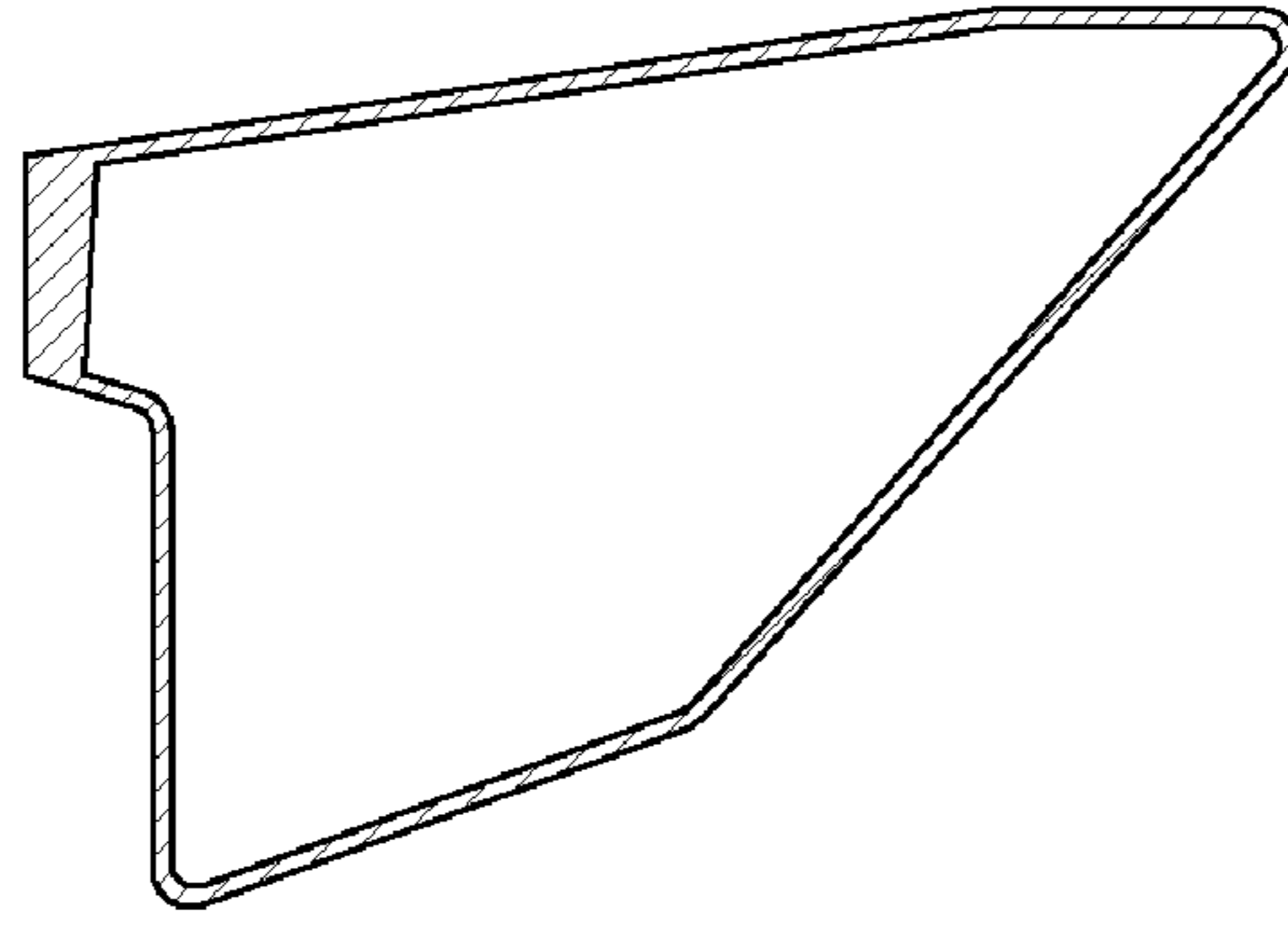


FIG. 9

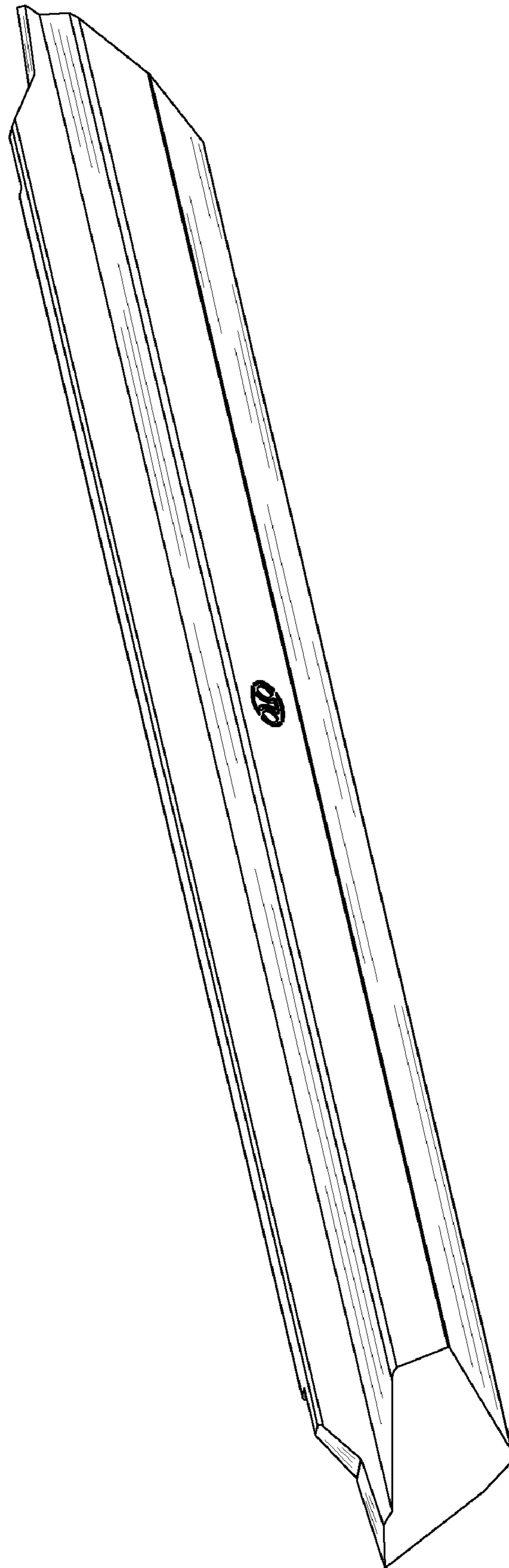


FIG. 10

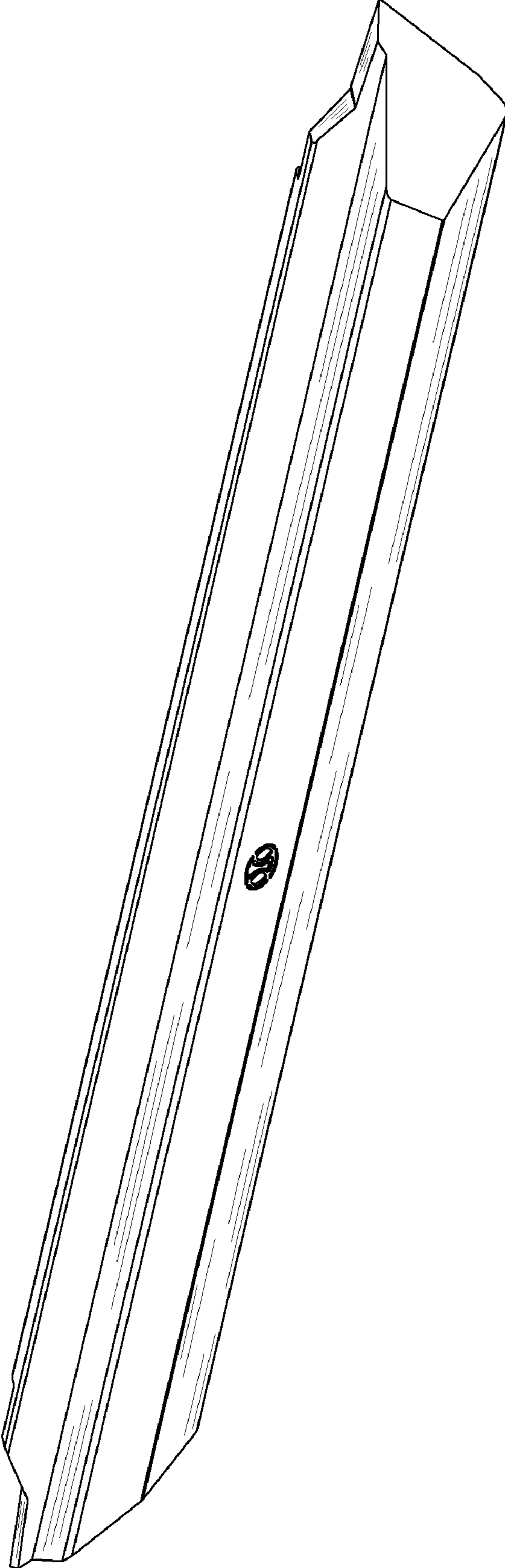


FIG. 11

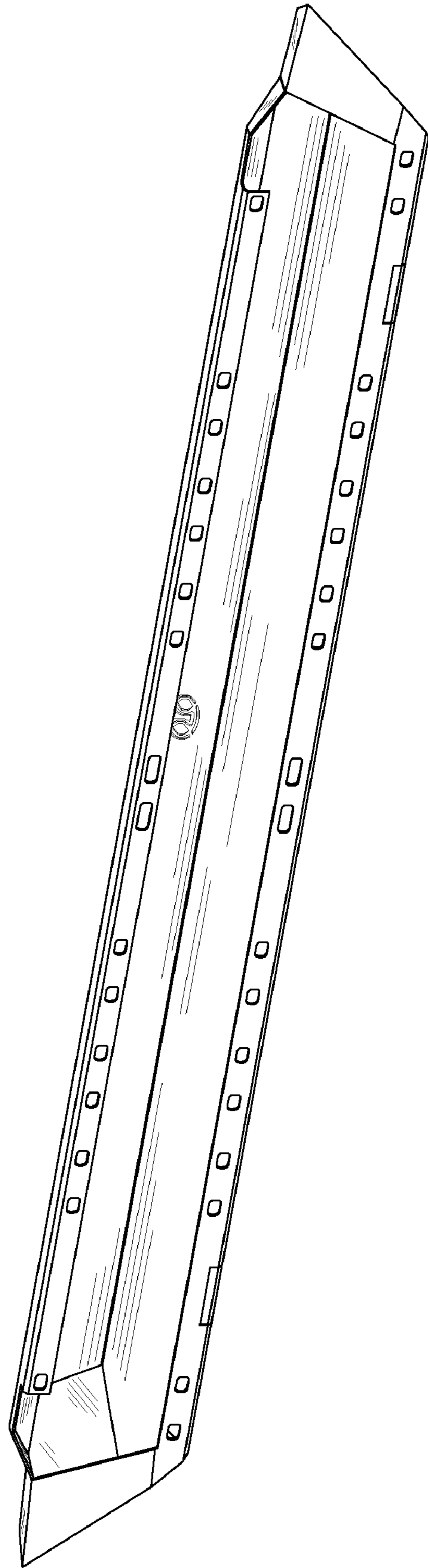


FIG. 12