



US00D618147S

(12) **United States Design Patent**
Bellingham

(10) **Patent No.:** **US D618,147 S**
(45) **Date of Patent:** **** Jun. 22, 2010**

(54) **AUTOMOBILE REAR VIEW MIRROR ASSEMBLY WITH CAMERA SYSTEM AND RETRACTABLE GPS DISPLAY**

Primary Examiner—Caron Veynar
Assistant Examiner—Katrina A Kile
(74) *Attorney, Agent, or Firm*—Gordon Thomson

(76) Inventor: **David W. Bellingham**, 121 Hidden Spring Circle N.W., Calgary, Alberta (CA) T3A 5H4

(57) **CLAIM**

I claim the ornamental design for an automobile rear view mirror assembly with camera system and retractable GPS display, as shown in the attached drawings.

(**) Term: **14 Years**

(21) Appl. No.: **29/341,460**

DESCRIPTION

(22) Filed: **Aug. 5, 2009**

(51) **LOC (9) Cl.** **12-16**

FIG. 1 is a top view of the assembly with the GPS display retracted.

(52) **U.S. Cl.** **D12/187**

FIG. 2 is a right side view of the assembly with the GPS display retracted.

(58) **Field of Classification Search** D12/187, D12/188–189, 96; D6/300, 309; 359/838, 359/841, 843, 844, 868, 871, 604, 881, 514, 359/866; 248/479–483, 475.1

FIG. 3 is a front view of the assembly with the GPS display retracted.

See application file for complete search history.

FIG. 4 is a front perspective view of the assembly with the GPS display retracted.

(56) **References Cited**

U.S. PATENT DOCUMENTS

7,468,651	B2 *	12/2008	DeLine et al.	340/425.5
7,488,080	B2 *	2/2009	Skiver et al.	359/604
7,490,944	B2 *	2/2009	Blank et al.	359/838
7,500,690	B2 *	3/2009	Hermon et al.	280/477
2003/0117728	A1 *	6/2003	Hutzel et al.	359/838
2006/0176165	A1 *	8/2006	DeLine et al.	340/461
2007/0086097	A1 *	4/2007	Motomiya et al.	359/879
2008/0259462	A1 *	10/2008	Uken et al.	359/630
2009/0213480	A1 *	8/2009	Li	359/844
2009/0219637	A1 *	9/2009	Brouwer	359/844

FIG. 5 is a bottom view of the assembly with the GPS display retracted.

FIG. 6 is a front view of the assembly with the GPS display deployed.

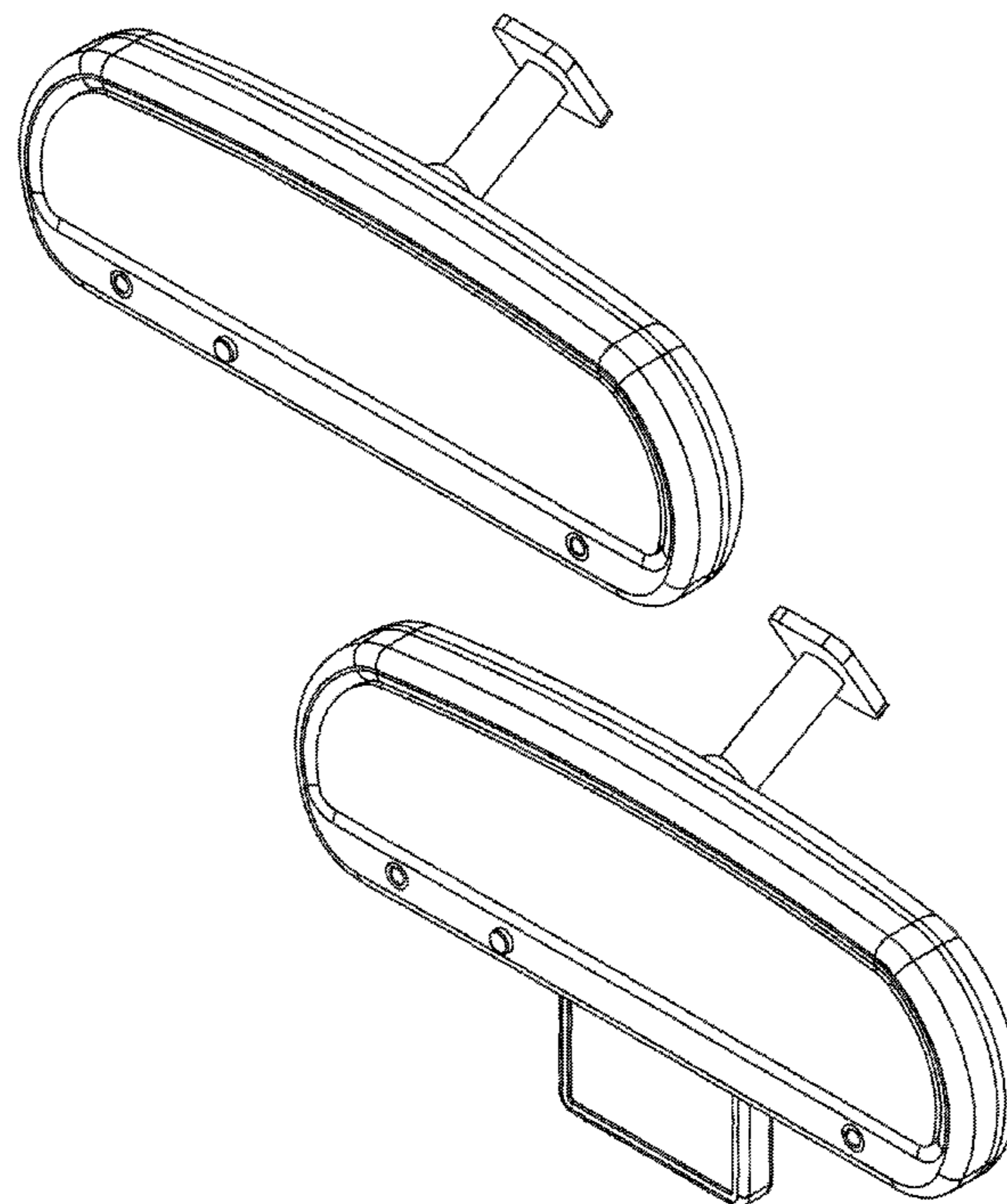
FIG. 7 is a front perspective view of the assembly with the GPS display deployed.

FIG. 8 is a right side view of the assembly with the GPS display deployed; and,

FIG. 9 is a bottom view of the assembly with the GPS display deployed.

* cited by examiner

1 Claim, 9 Drawing Sheets



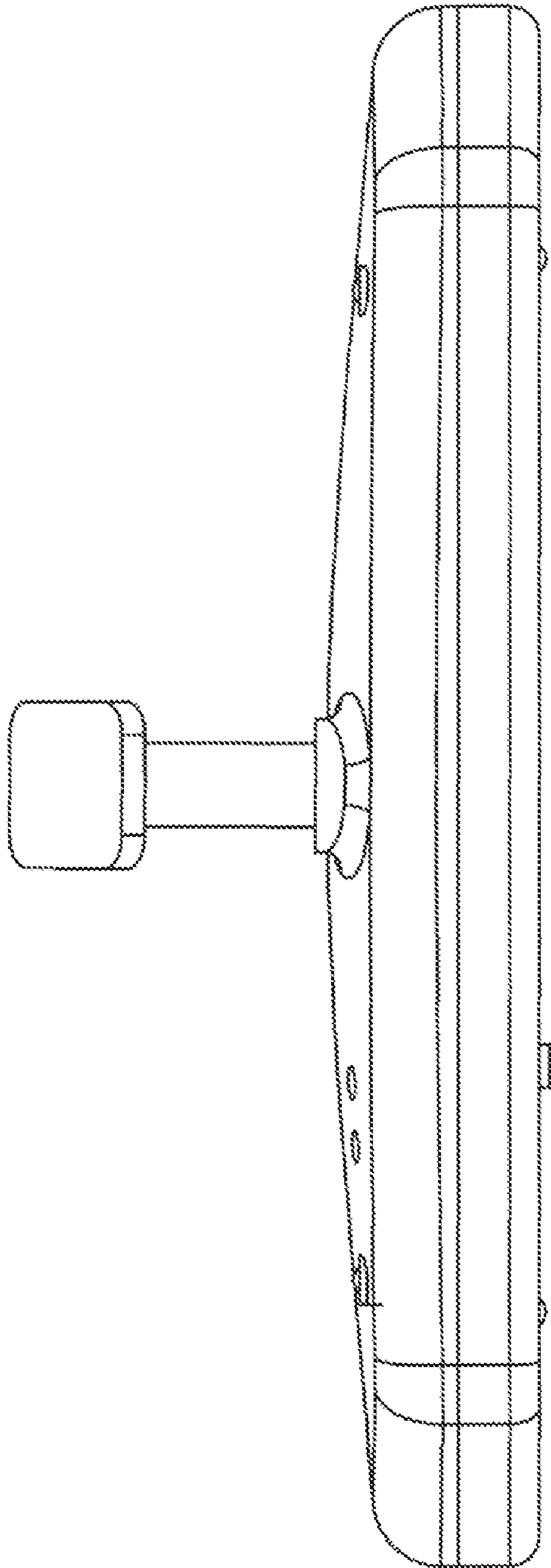


FIGURE 1

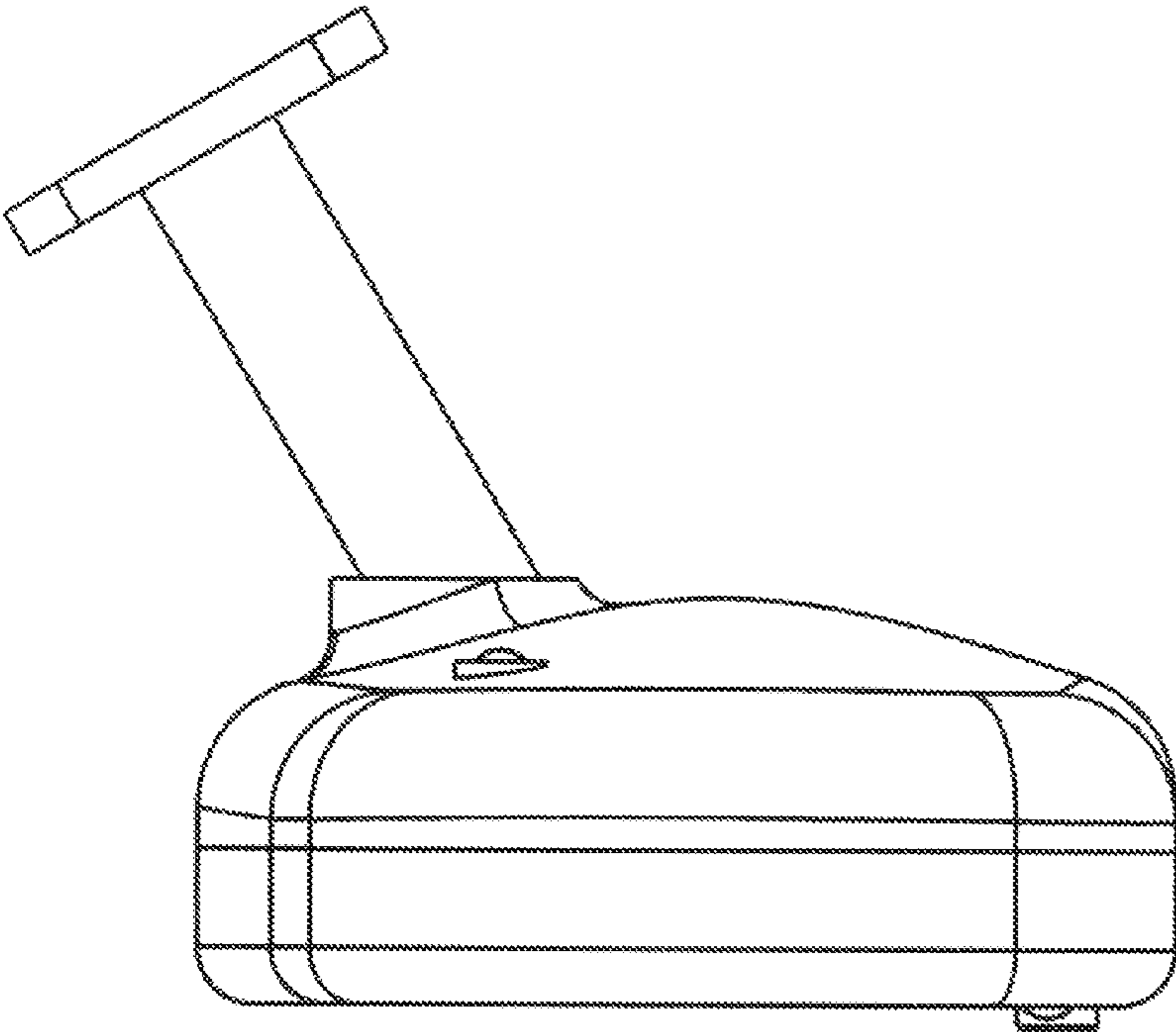


FIGURE 2

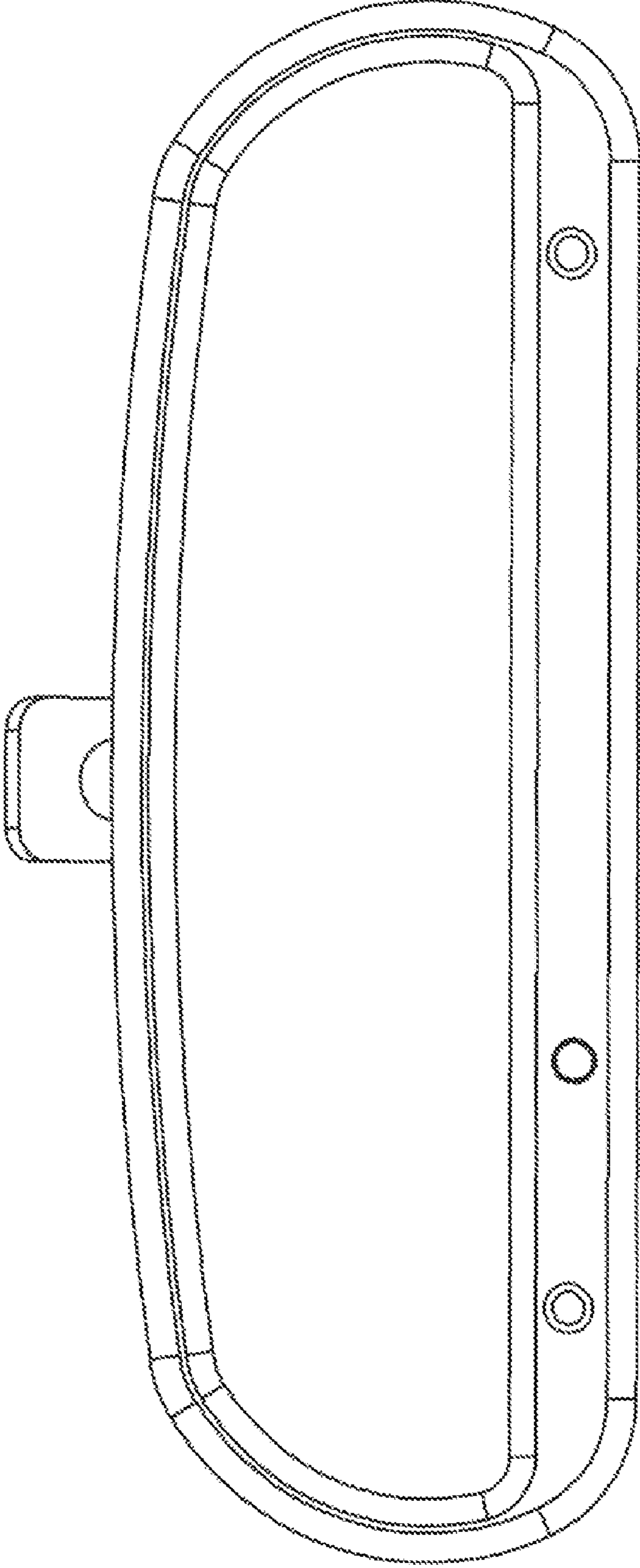


FIGURE 3

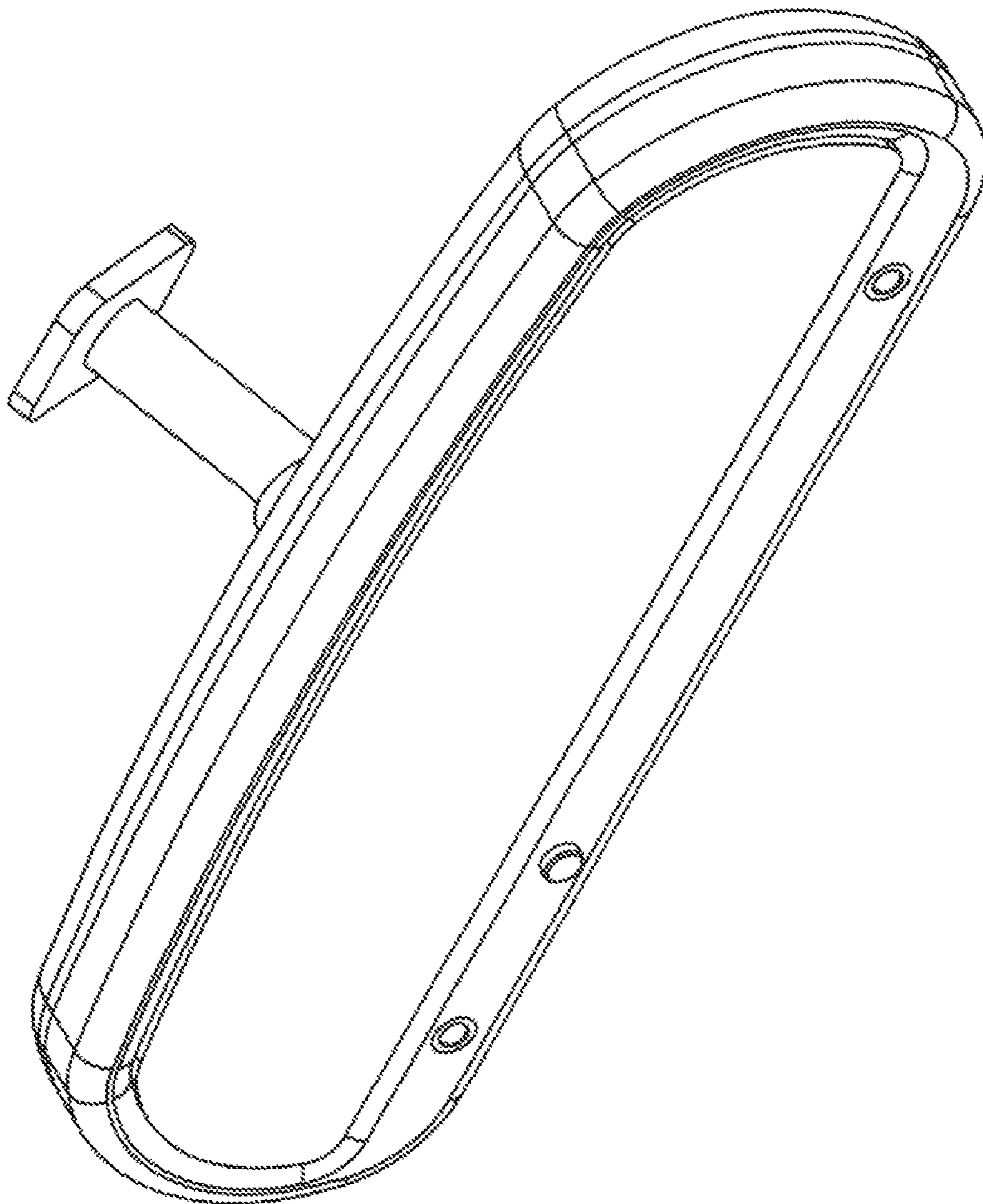


FIGURE 4

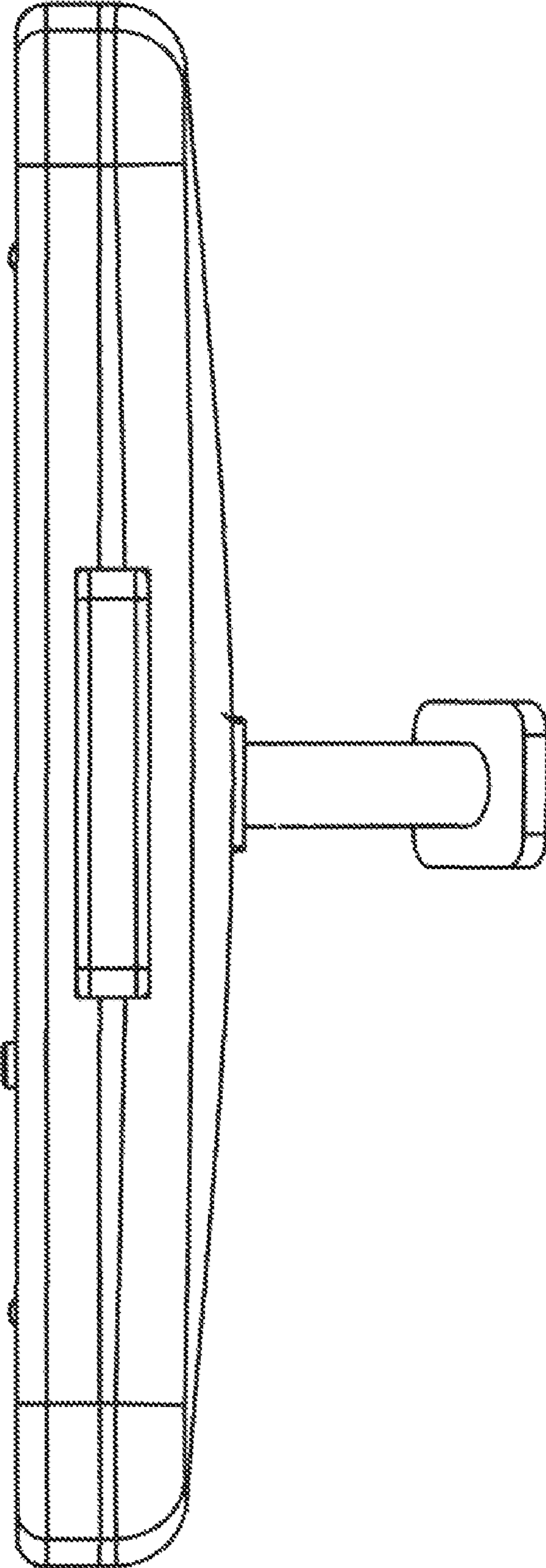


FIGURE 5

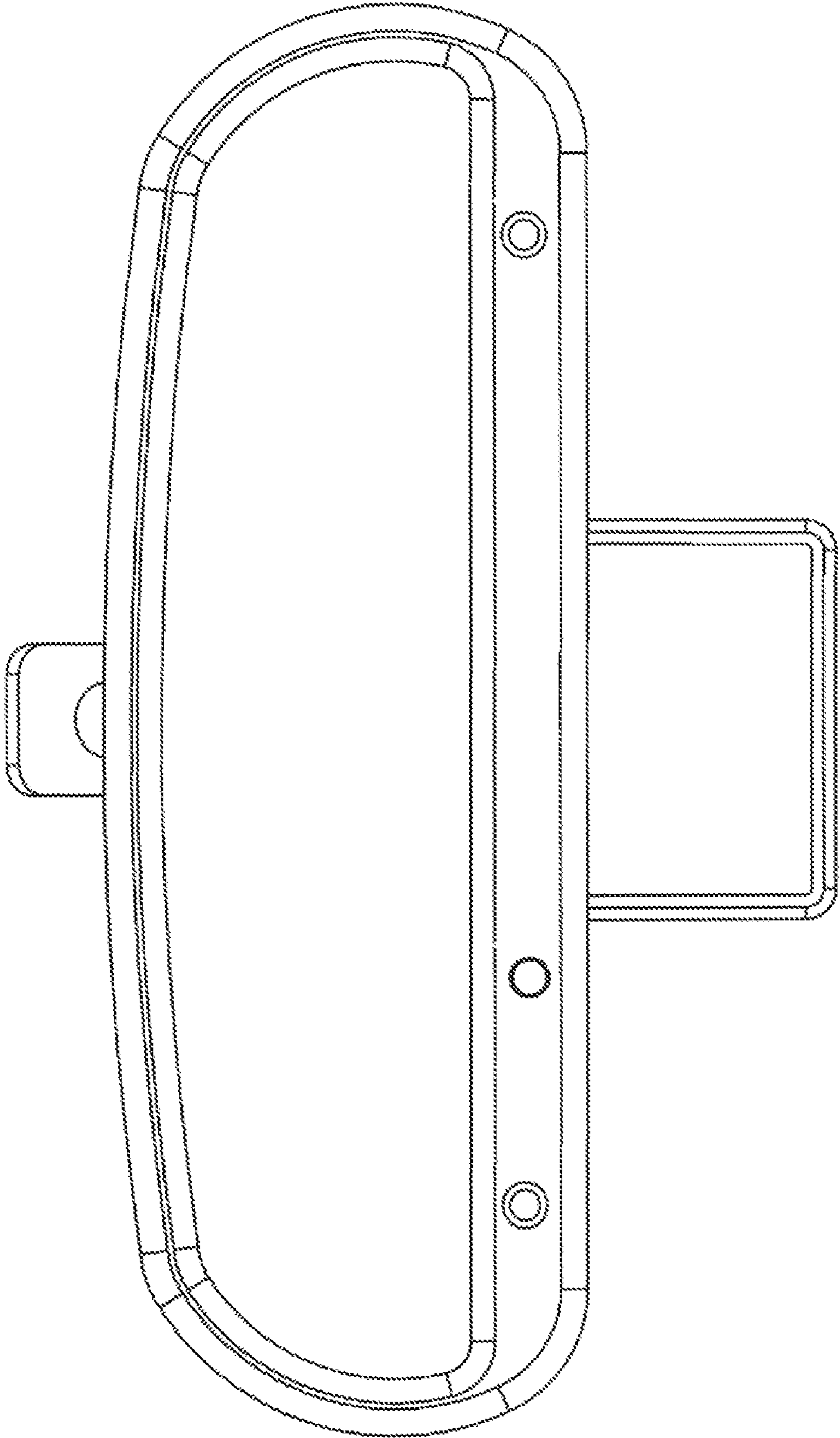


FIGURE 6

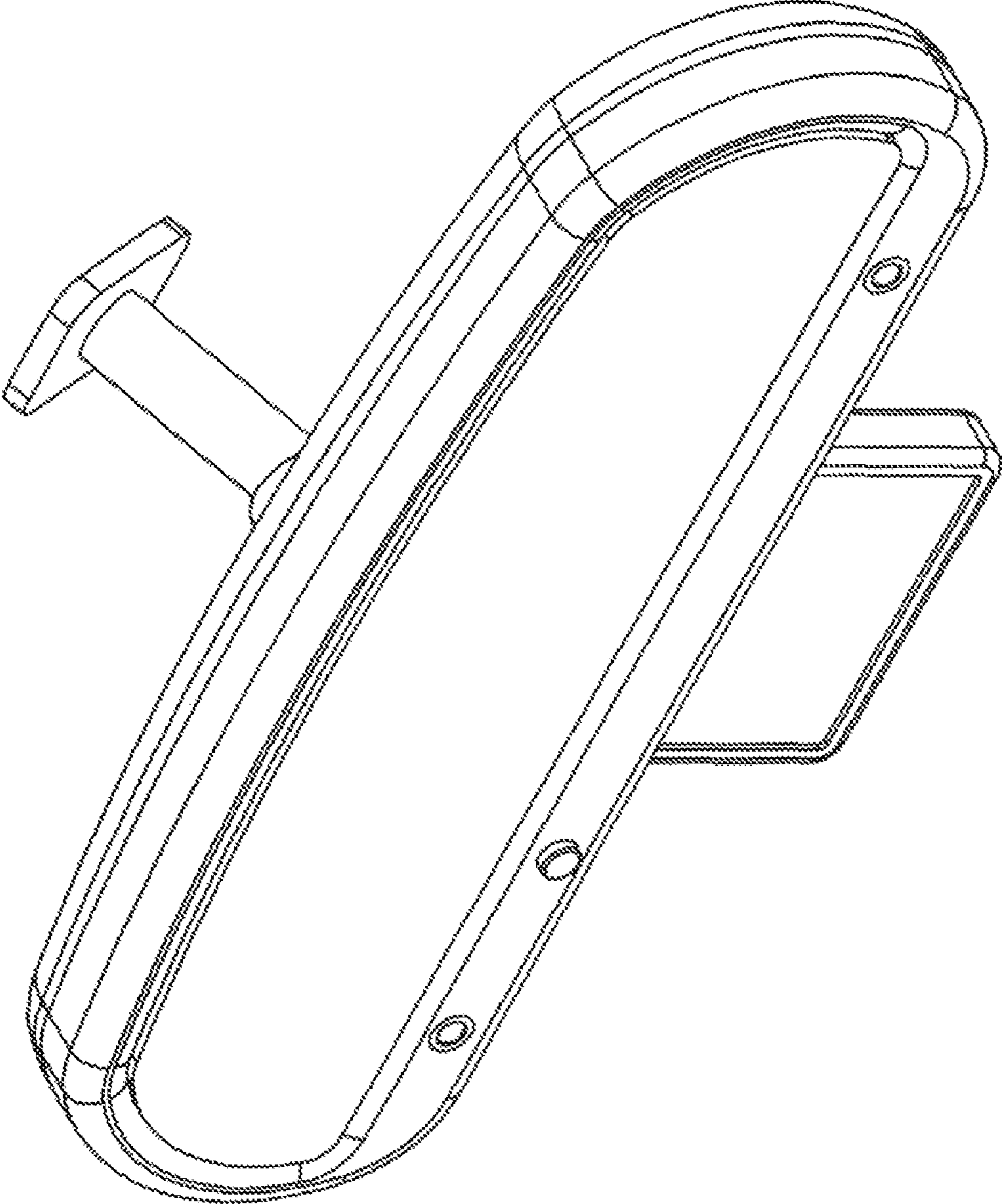


FIGURE 7

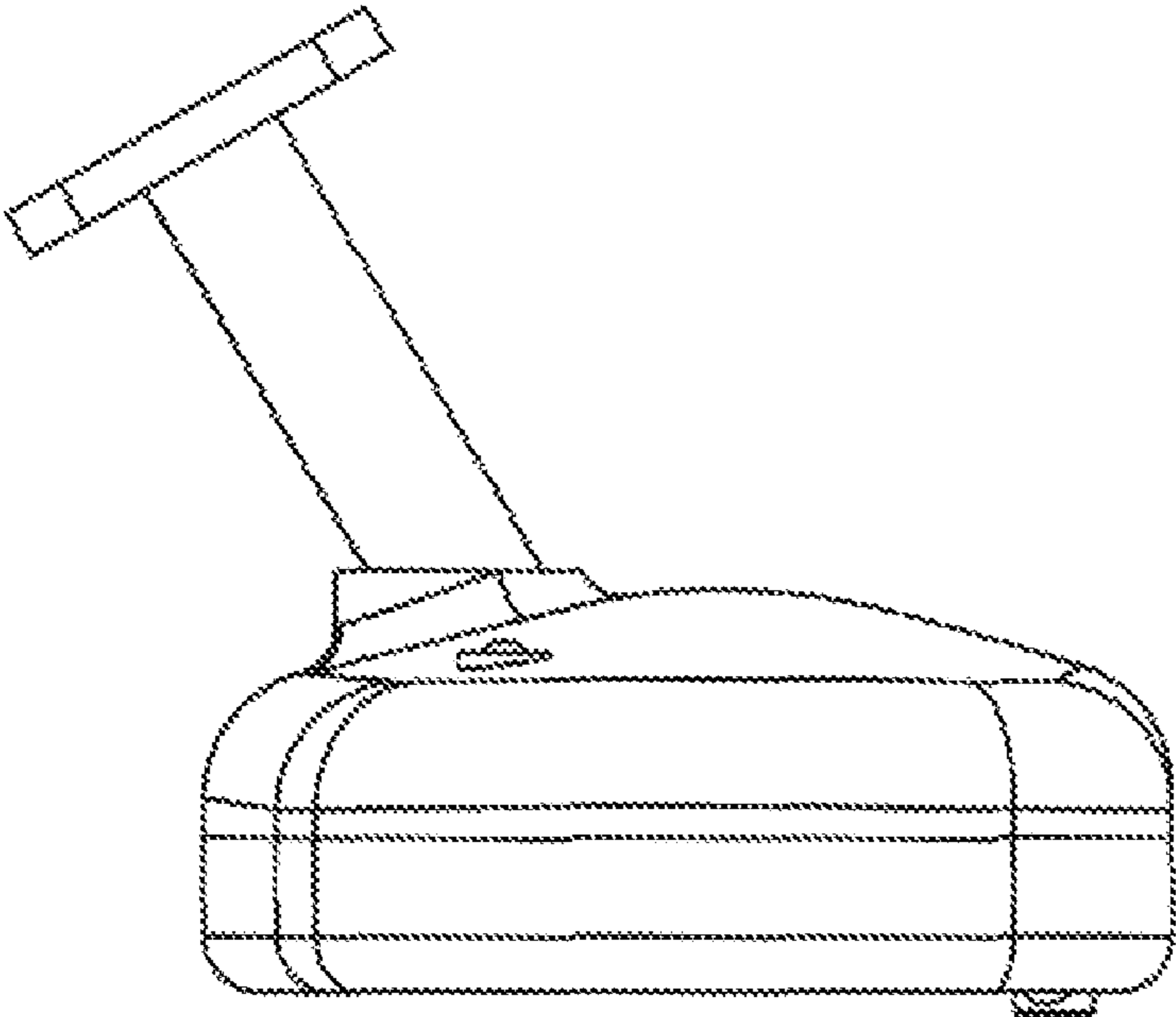


FIGURE 8

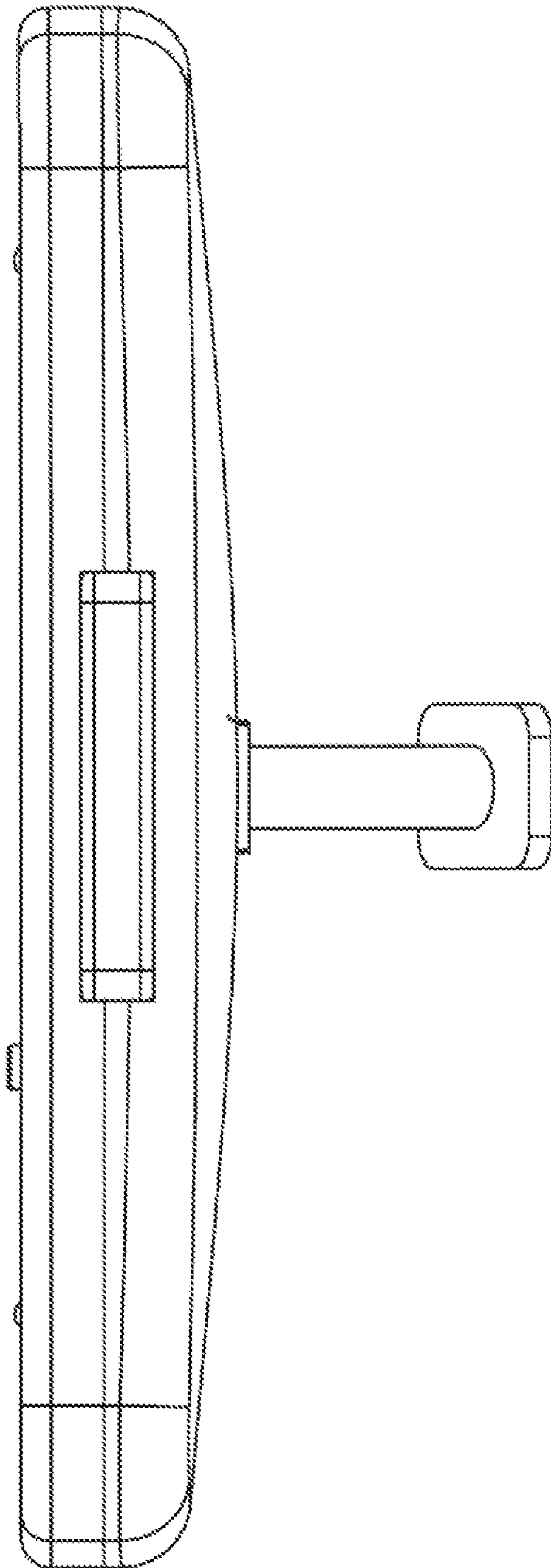


FIGURE 9