



US00D618144S

(12) **United States Design Patent**
Nam

(10) **Patent No.:** **US D618,144 S**
(45) **Date of Patent:** **** Jun. 22, 2010**

(54) **VEHICLE FRONT END UNIT**

D599,721 S * 9/2009 Jung et al. D12/164
D605,980 S * 12/2009 Imbert D12/91

(75) Inventor: **Ki Y. Nam**, Newport Beach, CA (US)

* cited by examiner

(73) Assignee: **T3 Motion, Inc.**, Costa Mesa, CA (US)

Primary Examiner—Melody N Brown
(74) *Attorney, Agent, or Firm*—Blakely Sokoloff Taylor & Zafman LLP

(**) Term: **14 Years**

(21) Appl. No.: **29/344,577**

(57) **CLAIM**

(22) Filed: **Sep. 30, 2009**

The ornamental design for a vehicle front end unit, as shown and described.

(51) **LOC (9) Cl.** **12-16**

(52) **U.S. Cl.** **D12/164**

(58) **Field of Classification Search** D12/164,
D12/196, 90-92, 86; 296/181.1, 181.5
See application file for complete search history.

DESCRIPTION

(56) **References Cited**

U.S. PATENT DOCUMENTS

- D454,813 S * 3/2002 Boniface et al. D12/91
- D504,646 S * 5/2005 Hakamata et al. D12/196
- D550,123 S * 9/2007 Sasaki D12/91
- D551,119 S * 9/2007 Okamoto D12/91
- D580,313 S * 11/2008 Ohishi et al. D12/164
- D586,268 S * 2/2009 Suga et al. D12/164
- D594,793 S * 6/2009 Matsueda D12/164

FIG. 1 is a front perspective view of the vehicle front end unit;
FIG. 2 is a front view thereof;
FIG. 3 is a side view thereof;
FIG. 4 is a opposite side view thereof; and,
FIG. 5 is a top view thereof.

The broken lines shown throughout the drawings are for illustrative purposes only and form no part of the claimed design.

1 Claim, 3 Drawing Sheets

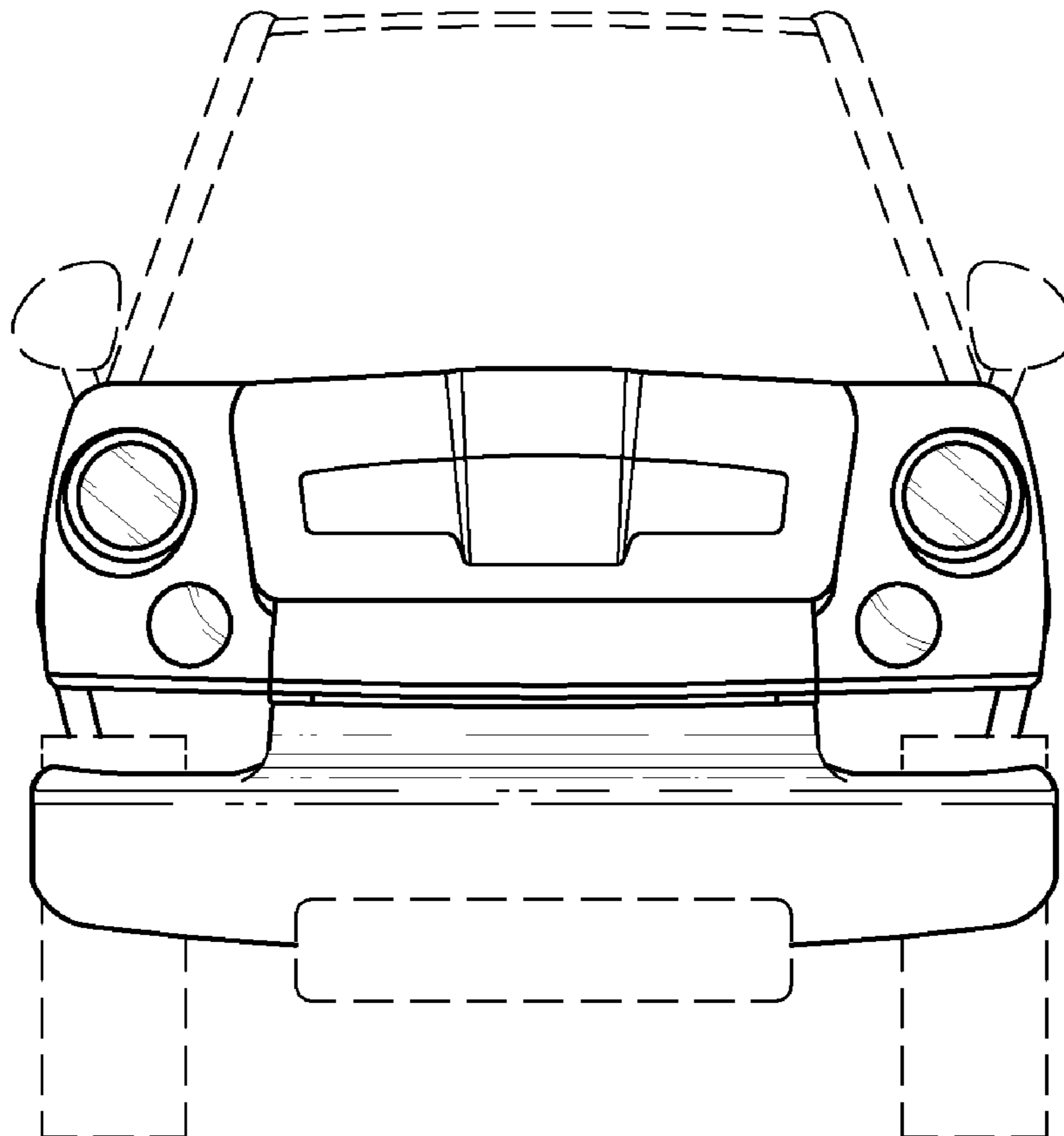


FIG. 1

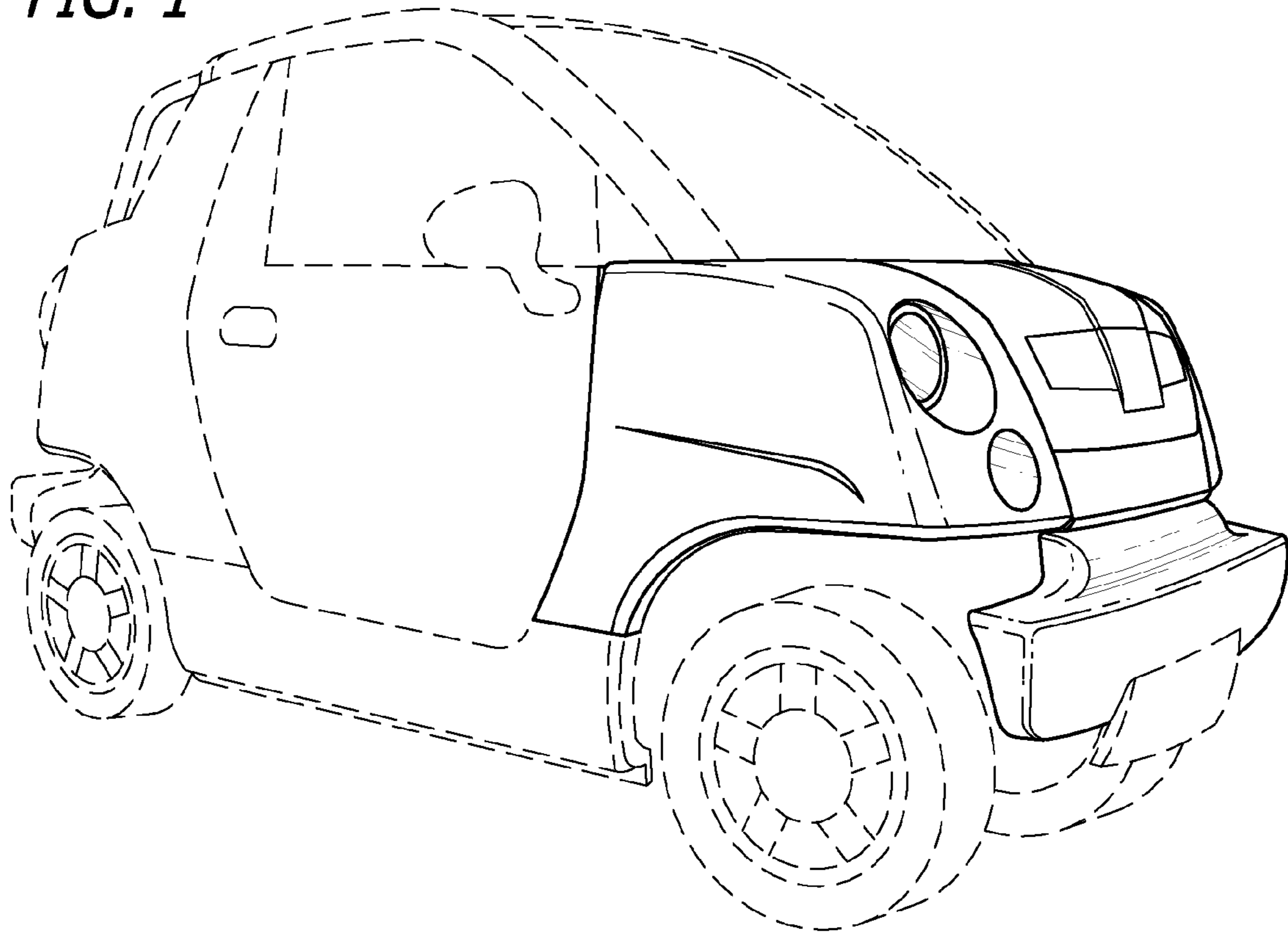


FIG. 2

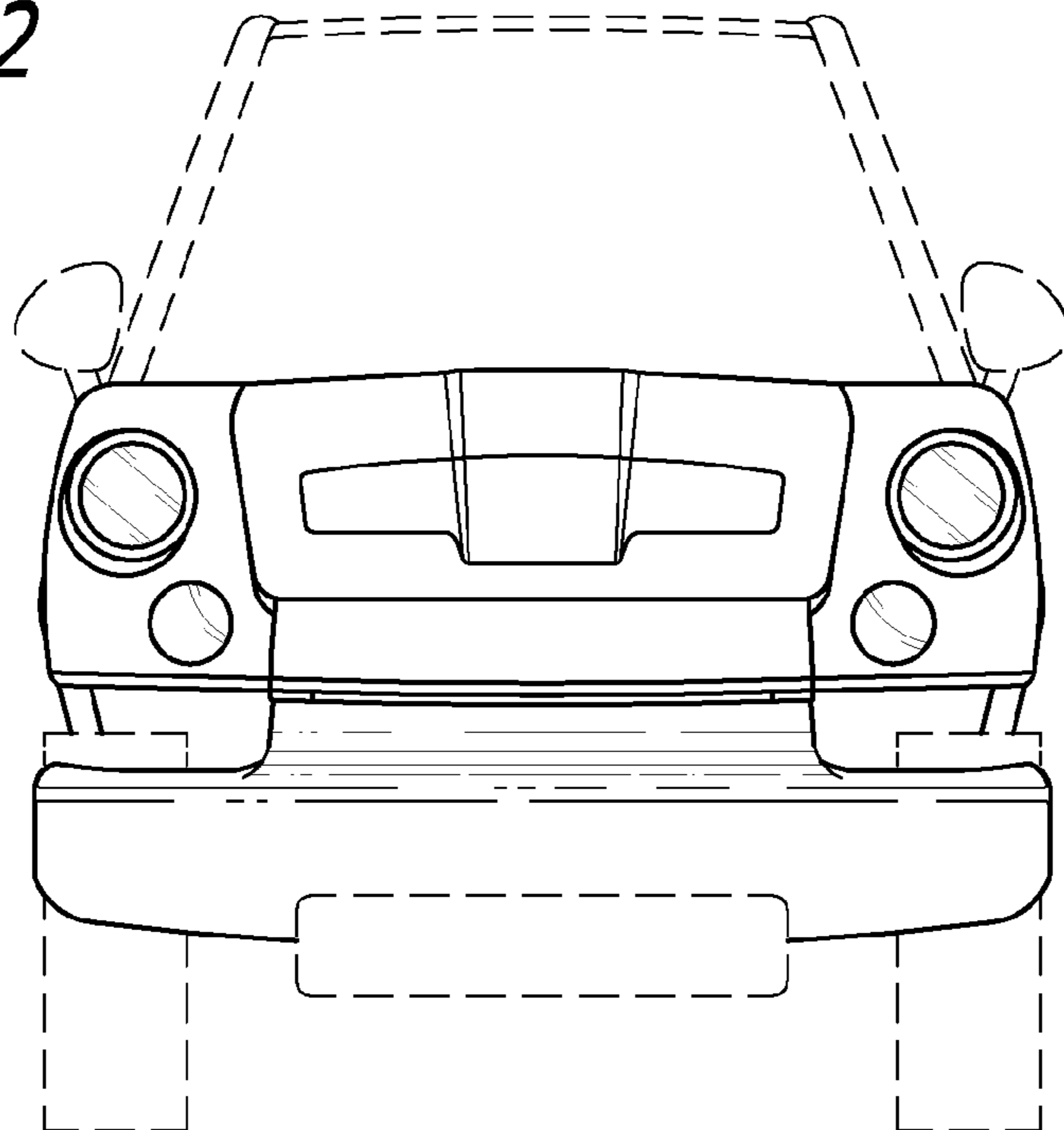


FIG. 3

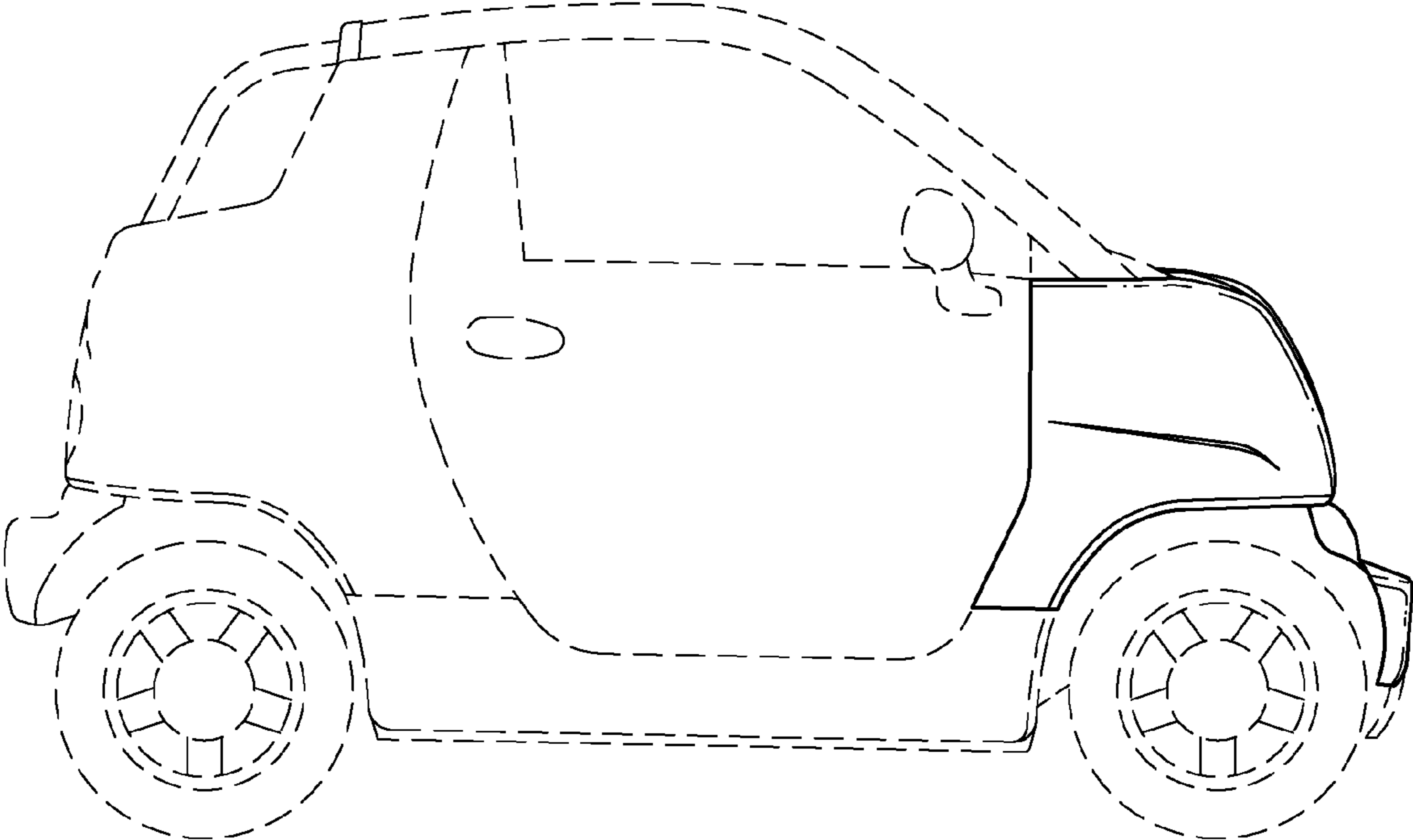


FIG. 4

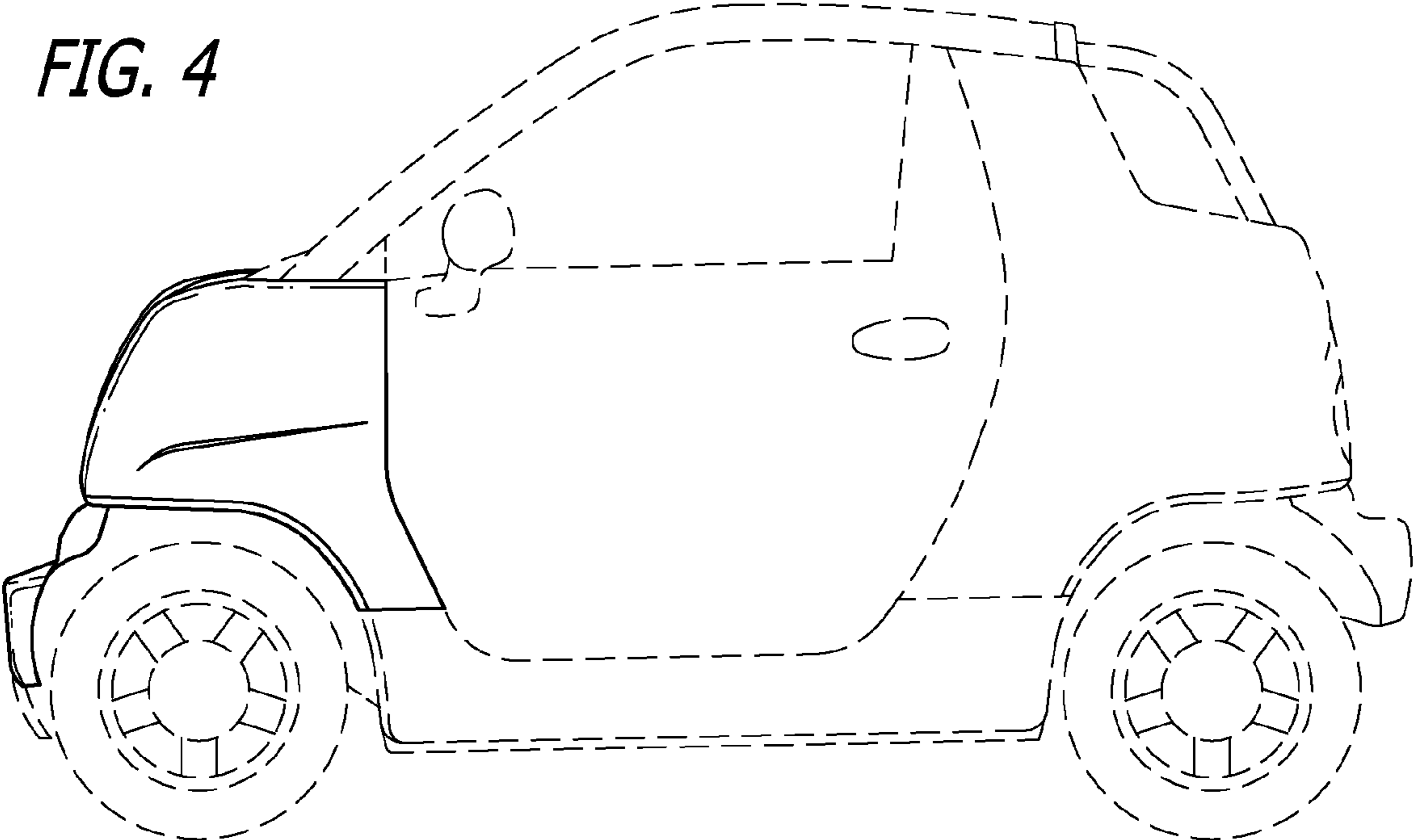


FIG. 5

