



US00D618143S

(12) **United States Design Patent**
Elliott et al.

(10) **Patent No.:** **US D618,143 S**
(45) **Date of Patent:** **** Jun. 22, 2010**

(54) **VEHICLE LOWER GRILLE**

(75) Inventors: **Peter Elliott**, Pascoe Vale (AU); **David Carl Dewitt**, Ivanhoe (AU); **Craig S. Metros**, Melbourne (AU); **Scott Strong**, Warrandyte (AU)

(73) Assignee: **Ford Global Technologies, LLC**, Dearborn, MI (US)

(**) Term: **14 Years**

(21) Appl. No.: **29/342,242**

(22) Filed: **Aug. 20, 2009**

(51) **LOC (9) Cl.** **12-16**

(52) **U.S. Cl.** **D12/163**

(58) **Field of Classification Search** D12/163,
D12/196, 90-92, 86, 171, 169, 216; 180/68.1,
180/68.6; 296/193.11

See application file for complete search history.

(56) **References Cited**

U.S. PATENT DOCUMENTS

D548,146 S *	8/2007	Schiavone et al.	D12/169
D561,654 S *	2/2008	Platto et al.	D12/163
D563,847 S *	3/2008	Sowa et al.	D12/169
D563,848 S *	3/2008	Tada et al.	D12/169
D578,443 S *	10/2008	Schiavone et al.	D12/163
D586,267 S *	2/2009	Ebel et al.	D12/163
D590,752 S *	4/2009	Williams et al.	D12/169
D609,143 S *	2/2010	Kruger et al.	D12/169

OTHER PUBLICATIONS

Ford Ranger 3.0 TDCI Wild Track Melbourne, Australia 2009, Feb. 27, 2009, <http://www.facts.ford.com>.

Houston Cars, May 19, 2009, 2012 Ford Ranger Spy Shots, <http://www.houstoncars.org/2012-ford-ranger-spy-shots.php>.

The Grayline, June 10, 2009, 2012 Ford Ranger Spy Pic, <http://the-grayline.com/2009/06/10/2012-ford-ranger-spy-pic>.

* cited by examiner

Primary Examiner—Melody N Brown

(74) *Attorney, Agent, or Firm*—Damian Porcari

(57) **CLAIM**

An ornamental design for a vehicle lower grille, as shown and described.

DESCRIPTION

FIG. 1 is a top plan view of a vehicle lower grille;

FIG. 2 is a bottom plan view of the vehicle lower grille;

FIG. 3 is a front elevational view of the vehicle lower grille;

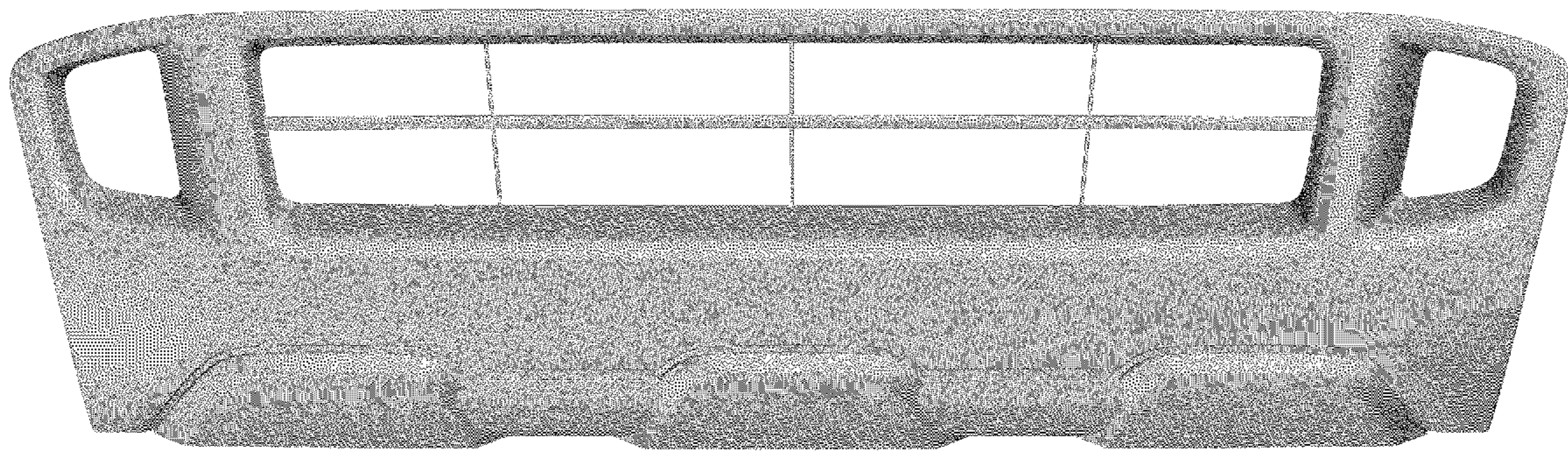
FIG. 4 is a left side elevational view of the vehicle lower grille;

FIG. 5 is a right side elevational view of the vehicle lower grille; and,

FIG. 6 is a perspective view of the vehicle lower grille.

The broken lines and surface members shown in faded lighter tones and enclosed in broken lines are for illustrative purpose only and form no part of the claimed design.

1 Claim, 6 Drawing Sheets



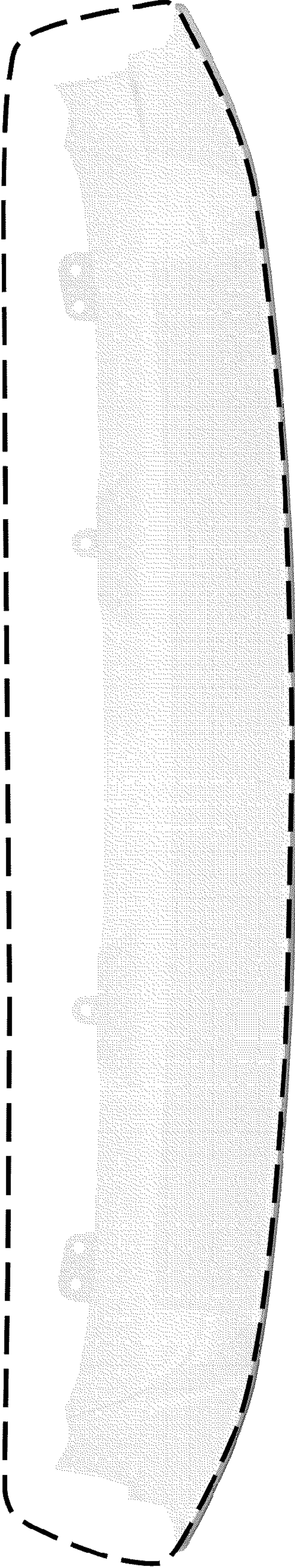


Figure 1

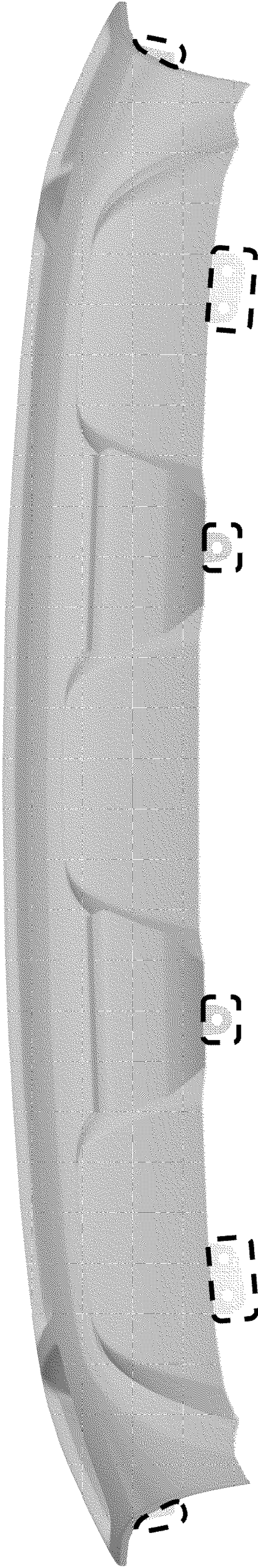


Figure 2

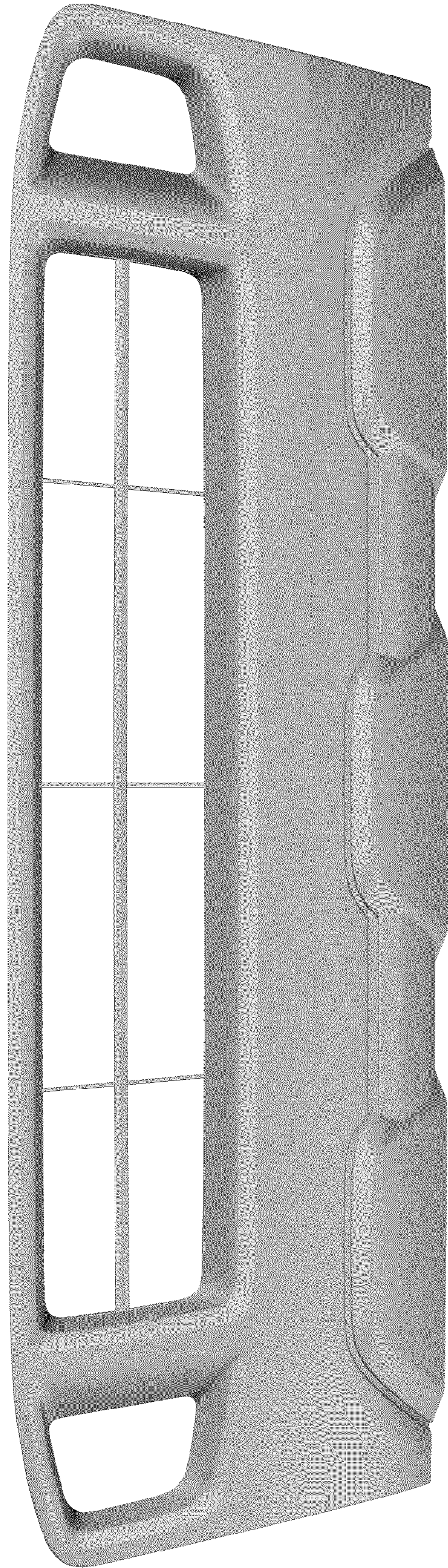


Figure 3

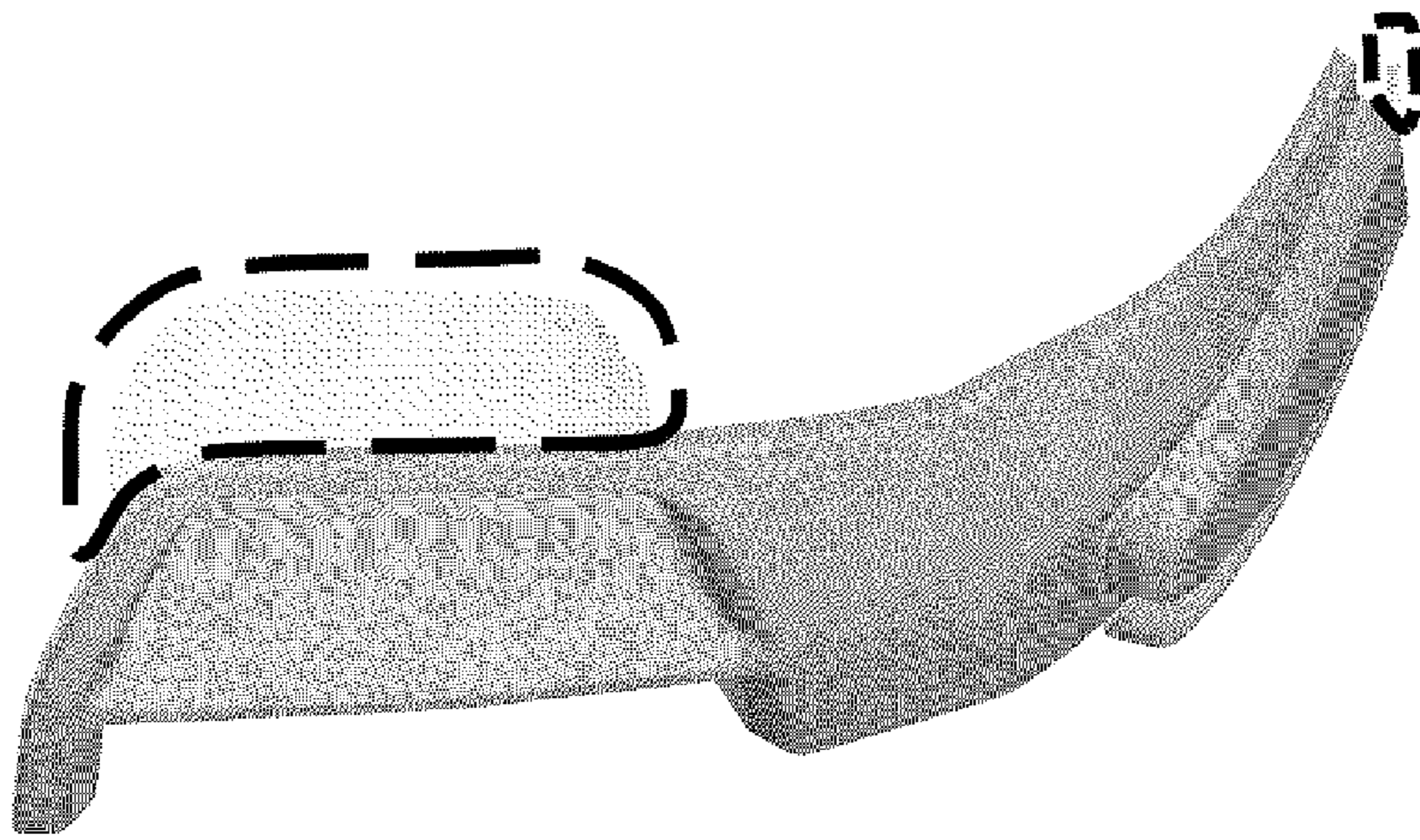


Figure 4

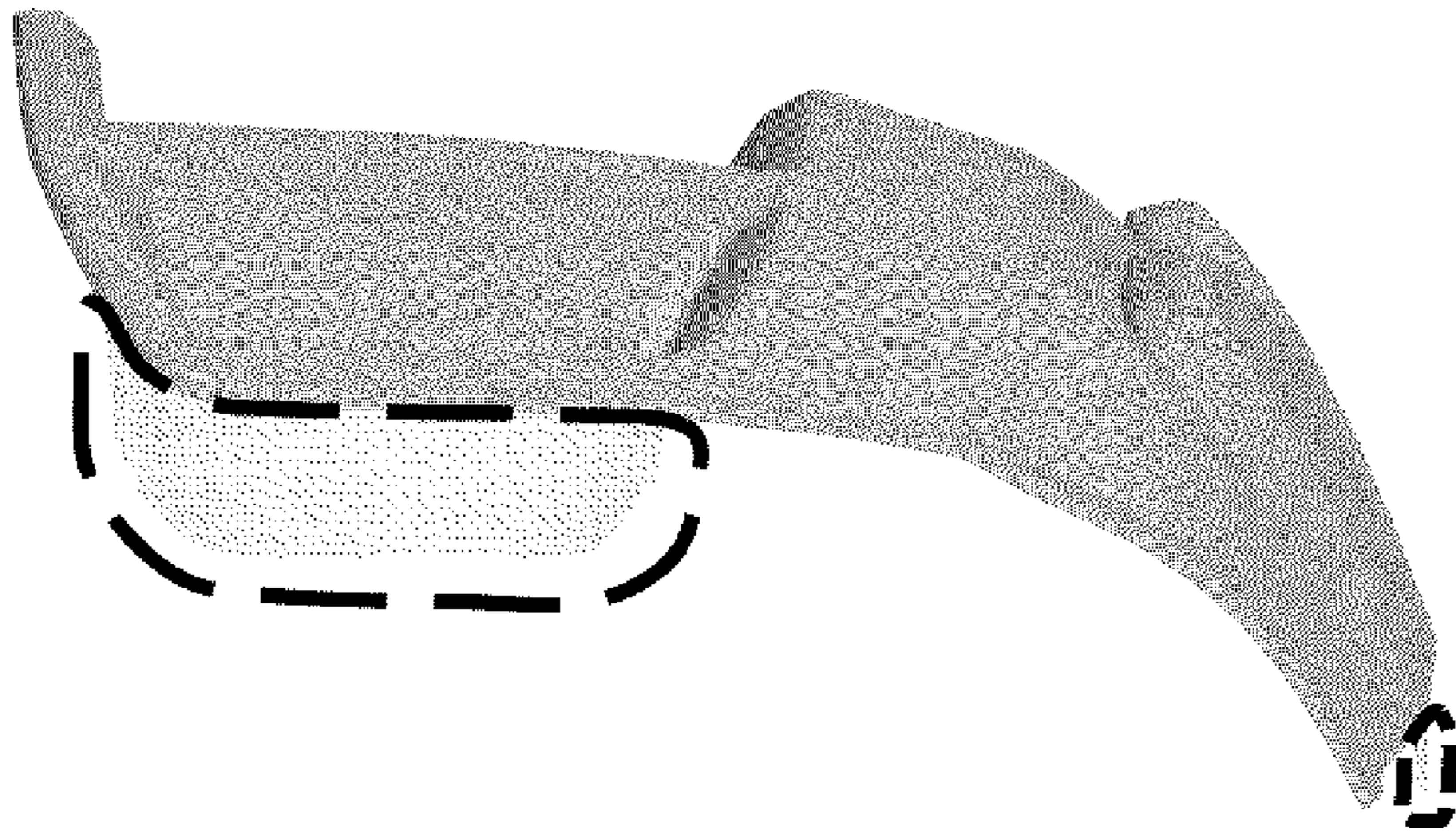


Figure 5

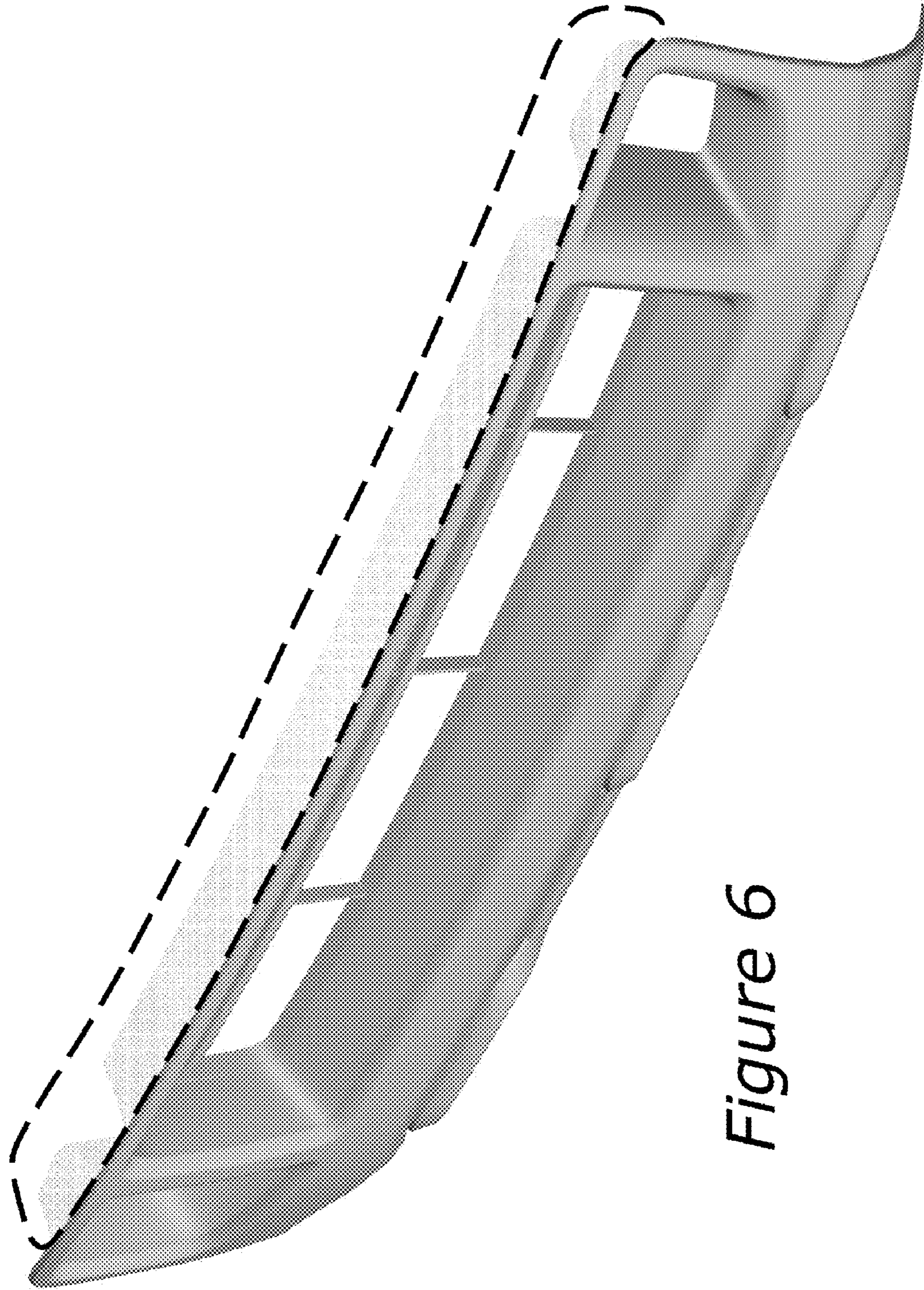


Figure 6