



US00D618142S

(12) **United States Design Patent**
Hancock et al.

(10) **Patent No.:** **US D618,142 S**
(45) **Date of Patent:** **** Jun. 22, 2010**

(54) **ATV HITCH**

(76) Inventors: **Jeffrey D. Hancock**, 1562 E. 6850 South, Uintah, UT (US) 84405; **Dennis H. Hancock**, 5752 N. Silverstone Cir., Morgan, UT (US) 84050

(**) Term: **14 Years**

(21) Appl. No.: **29/348,349**

(22) Filed: **Dec. 24, 2009**

(51) **LOC (9) Cl.** **12-16**

(52) **U.S. Cl.** **D12/162**

(58) **Field of Classification Search** D12/161, D12/162, 199, 400; 280/186, 402-403, 405, 280/407, 482, 511-513, 405.1-405.2, 407.1, 280/416.2, 455.1, 491.5

See application file for complete search history.

(56) **References Cited**

U.S. PATENT DOCUMENTS

D158,372 S * 5/1950 Gee D12/162
3,963,264 A * 6/1976 Down 280/416.1

D276,602 S * 12/1984 Dixon-Bate D12/162
6,837,510 B1 * 1/2005 Karls 280/416.1

* cited by examiner

Primary Examiner—T. Chase Nelson
Assistant Examiner—Katheleen M Sims

(57) **CLAIM**

The ornamental design for an ATV hitch, as shown and described.

DESCRIPTION

FIG. 1 is a side, rear perspective view of the ATV hitch showing our new design;

FIG. 2 is an opposite side, front perspective view thereof;

FIG. 3, a top plan view;

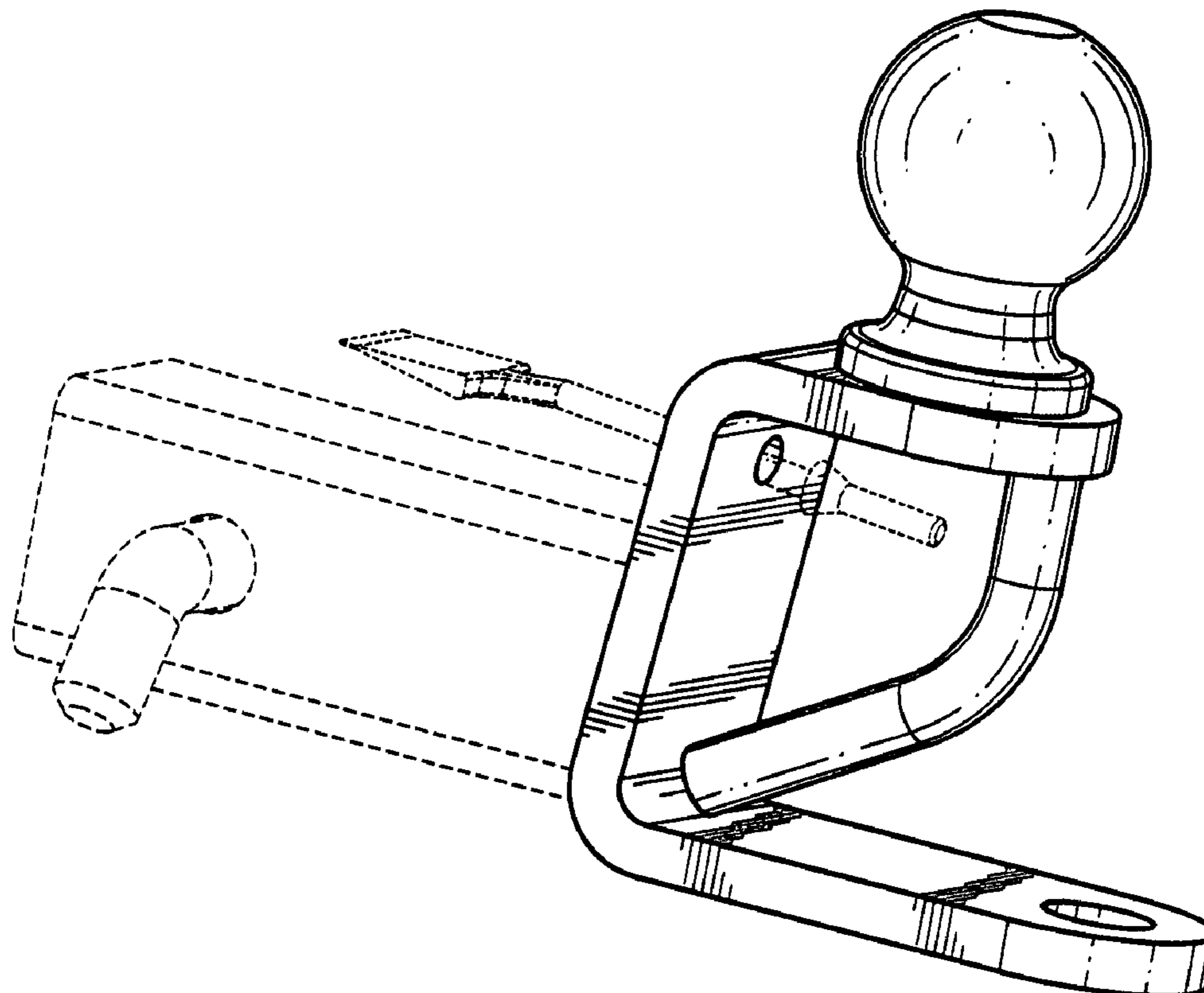
FIG. 4, a side elevation view, the opposite side being a mirror image thereof;

FIG. 5, a bottom plan view;

FIG. 6, a front elevation view; and,

FIG. 7, a rear elevation view.

1 Claim, 3 Drawing Sheets



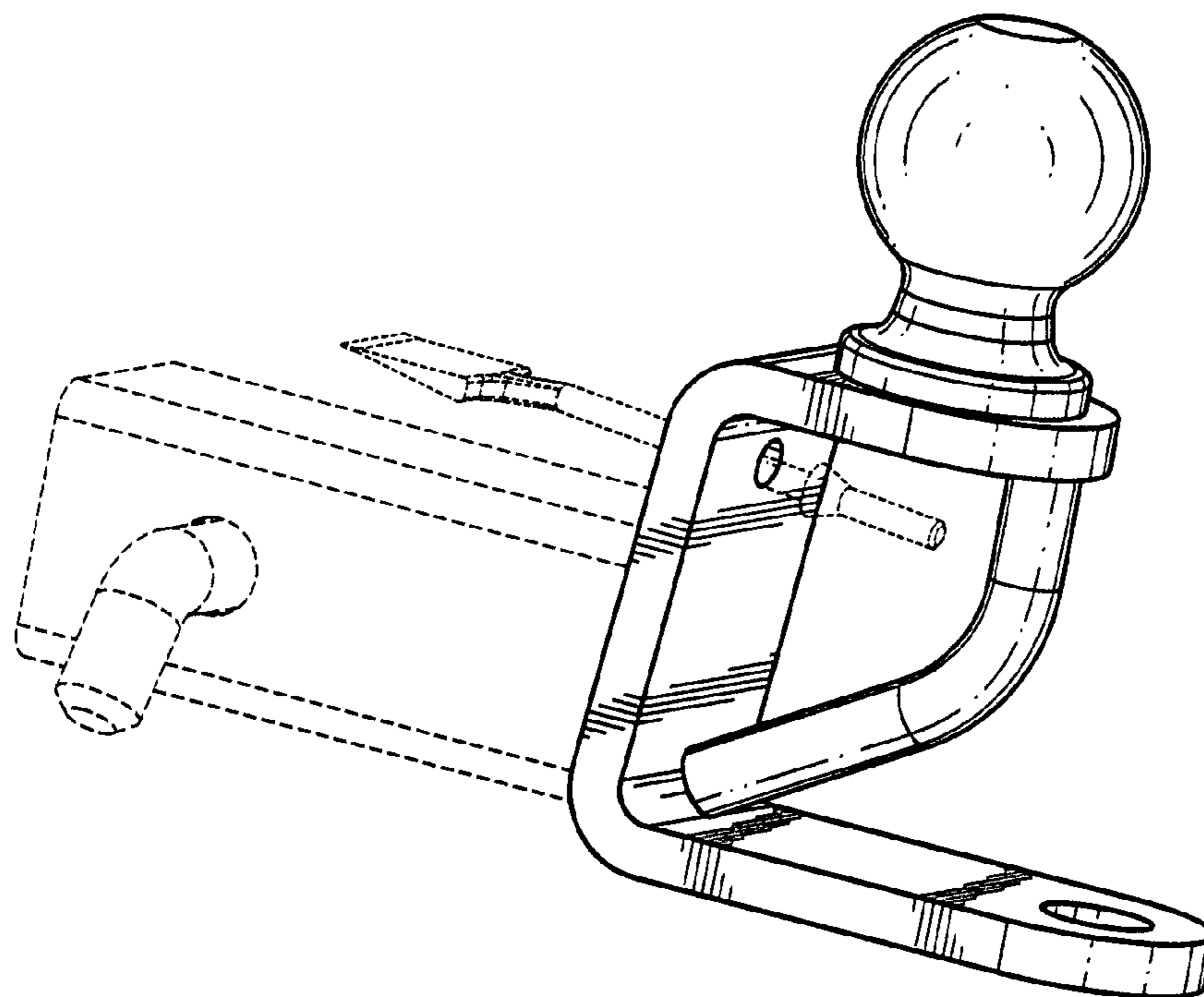


FIG. 1

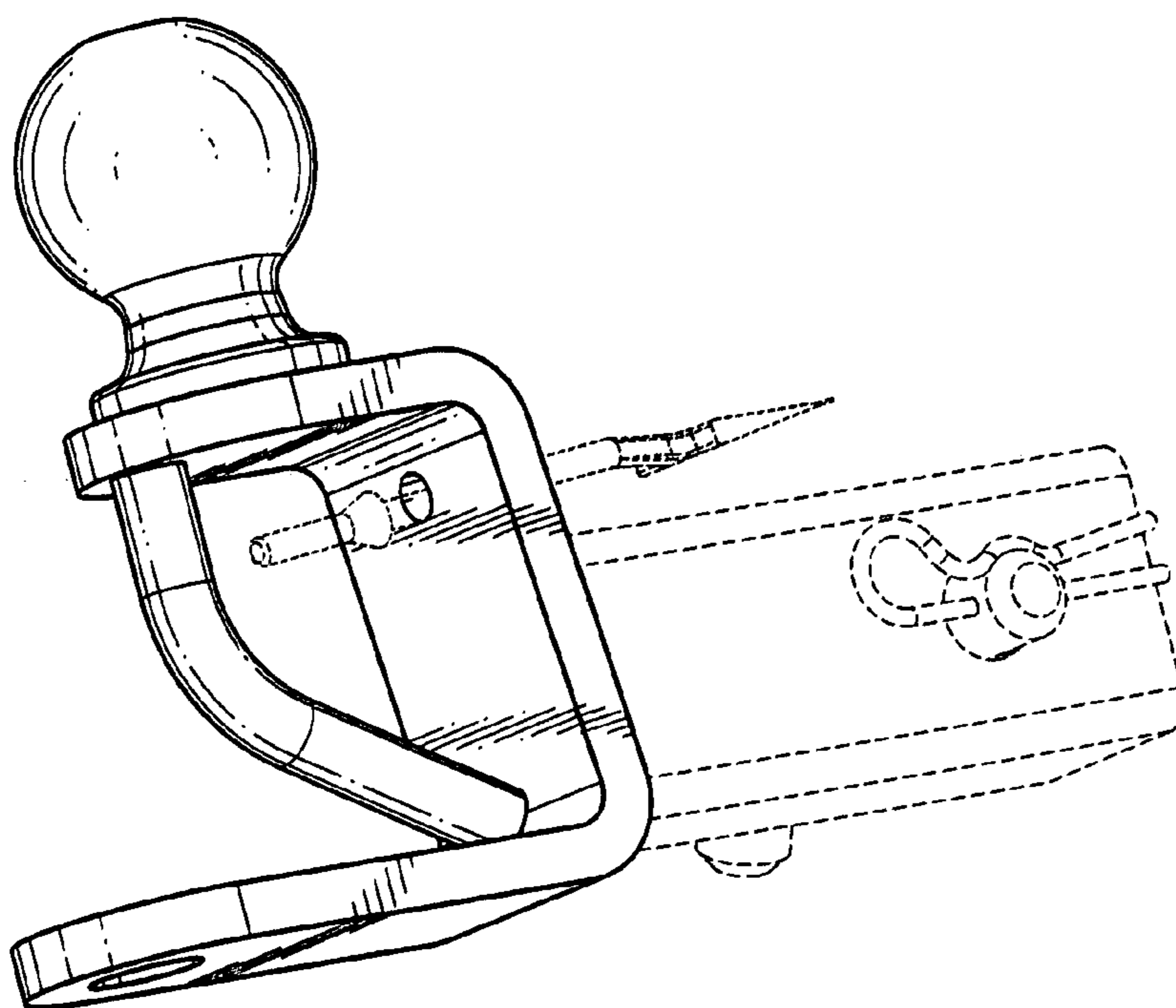


FIG. 2

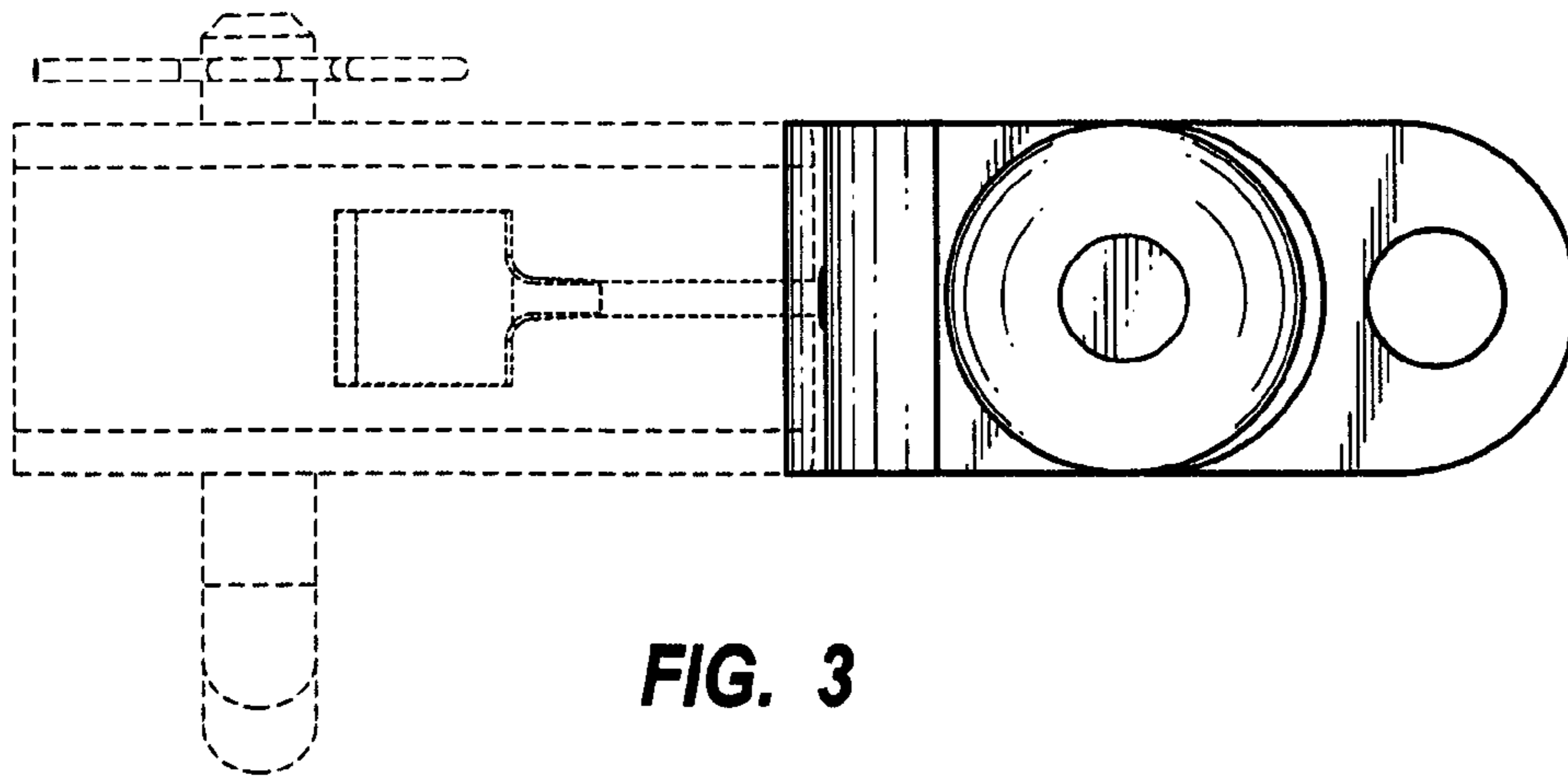


FIG. 3

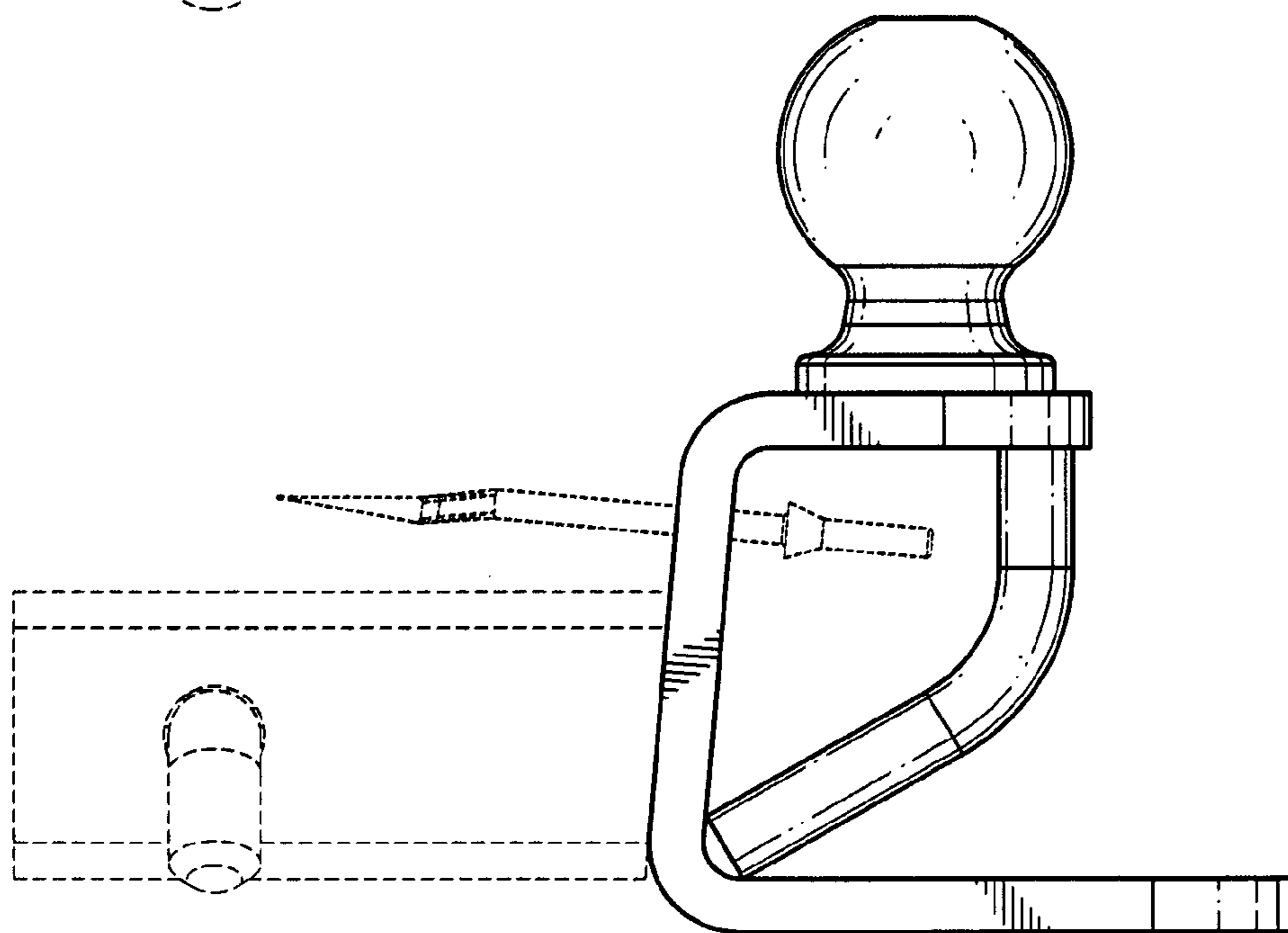


FIG. 4

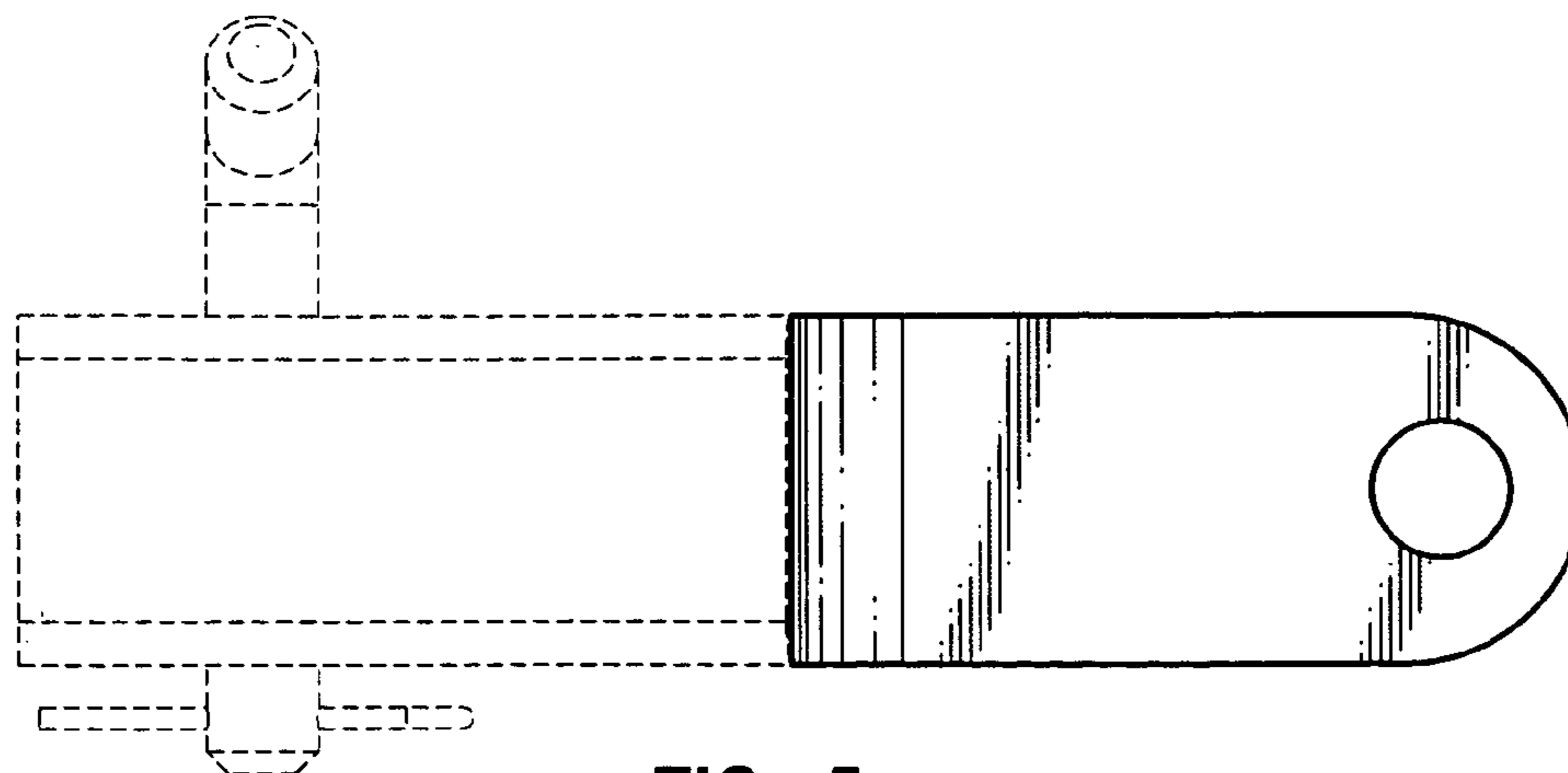


FIG. 5

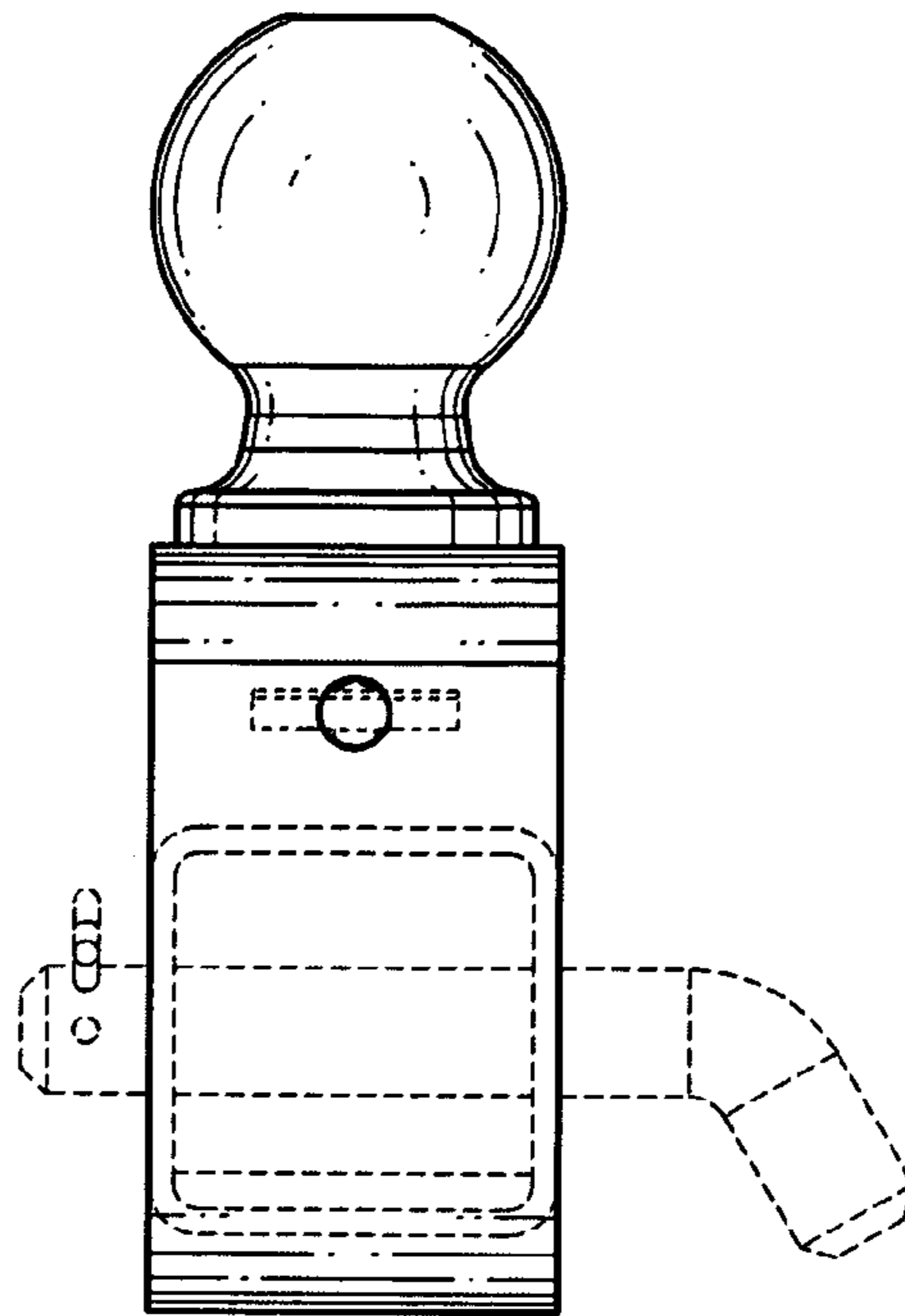


FIG. 6

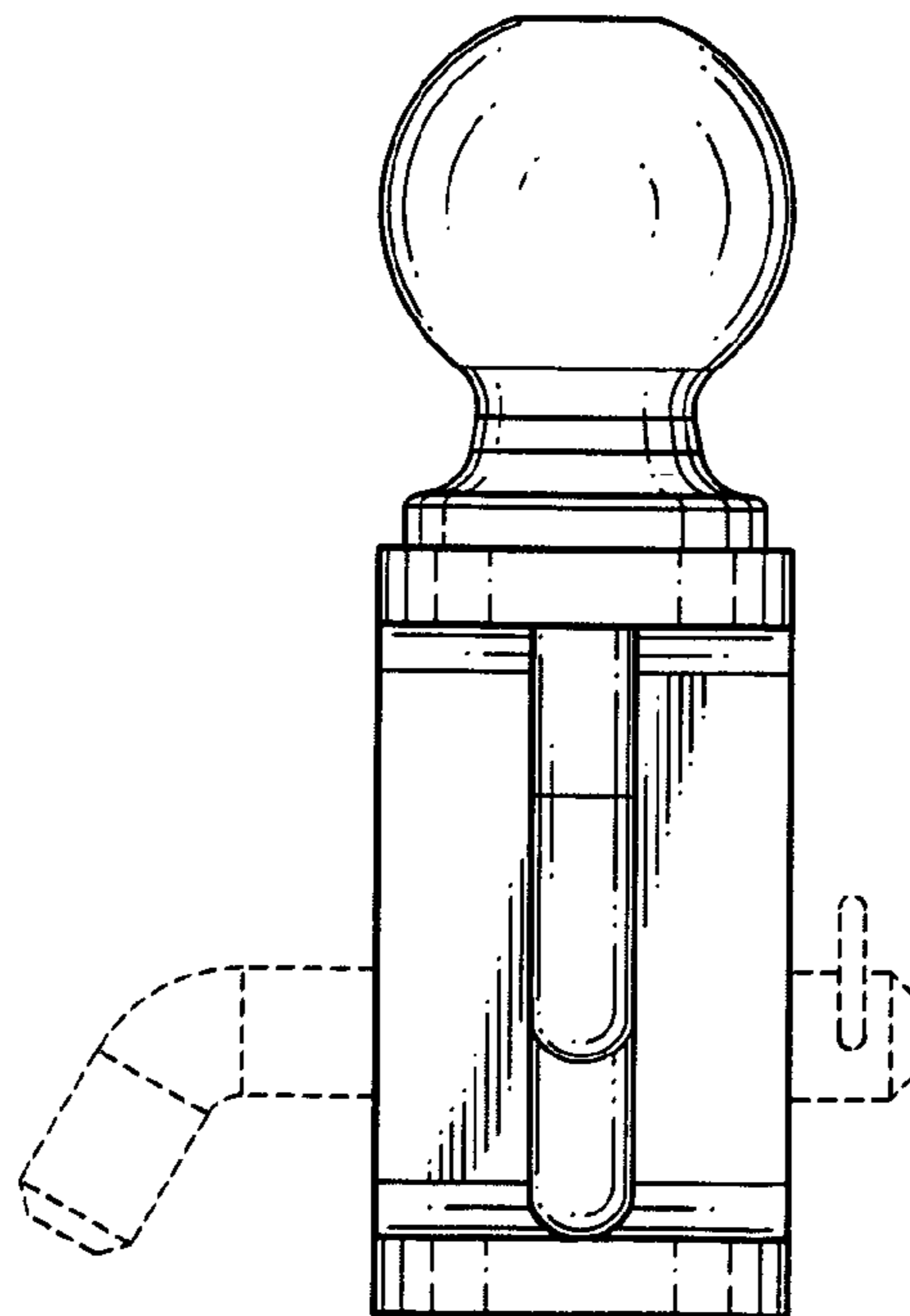


FIG. 7