



US00D618141S

(12) **United States Design Patent**
Chan

(10) **Patent No.:** **US D618,141 S**
(45) **Date of Patent:** **** Jun. 22, 2010**

(54) **WHEELCHAIR**

(75) **Inventor:** **Andy Chan**, 1F, No. 2, Alley 12, Lane 89, Yonglong 2nd Street, Dali City, Taichung (TW)

(73) **Assignees:** **Andy Chan**, Taichung (TW); **Li-Chieh Lai**, Taichung (TW)

(**) **Term:** **14 Years**

(21) **Appl. No.:** **29/340,891**

(22) **Filed:** **Jul. 28, 2009**

(51) **LOC (9) Cl.** **12-12**

(52) **U.S. Cl.** **D12/131**

(58) **Field of Classification Search** D12/128-133;
296/65.03, 65.04; 224/409; 297/DIG. 4;
280/62, 647-650, 29, 200, 47.38, 250.1,
280/259, 642, 658

See application file for complete search history.

(56) **References Cited**

U.S. PATENT DOCUMENTS

4,705,287 A * 11/1987 Cumbie 280/304.1
4,830,388 A * 5/1989 Wang 280/202
4,867,506 A * 9/1989 Chavez 297/188.2

5,037,120 A * 8/1991 Parisi 280/250.1
5,139,309 A * 8/1992 Kornreich 297/162
5,333,929 A * 8/1994 Slagerman 297/155
5,558,358 A * 9/1996 Johnson 280/648
6,880,845 B1 * 4/2005 Broyles et al. 280/250.1
7,207,630 B1 * 4/2007 Reynolds 297/397

* cited by examiner

Primary Examiner—Ian Simmons
Assistant Examiner—Charles D Hanson

(57) **CLAIM**

The ornamental design for a wheelchair, as shown.

DESCRIPTION

FIG. 1 is a perspective view of a wheelchair showing my new design;

FIG. 2 is a right side view thereof;

FIG. 3 is a left side view thereof;

FIG. 4 is a front end view thereof;

FIG. 5 is a rear end view thereof;

FIG. 6 is a top plan view thereof; and,

FIG. 7 is a bottom plan view thereof.

1 Claim, 7 Drawing Sheets



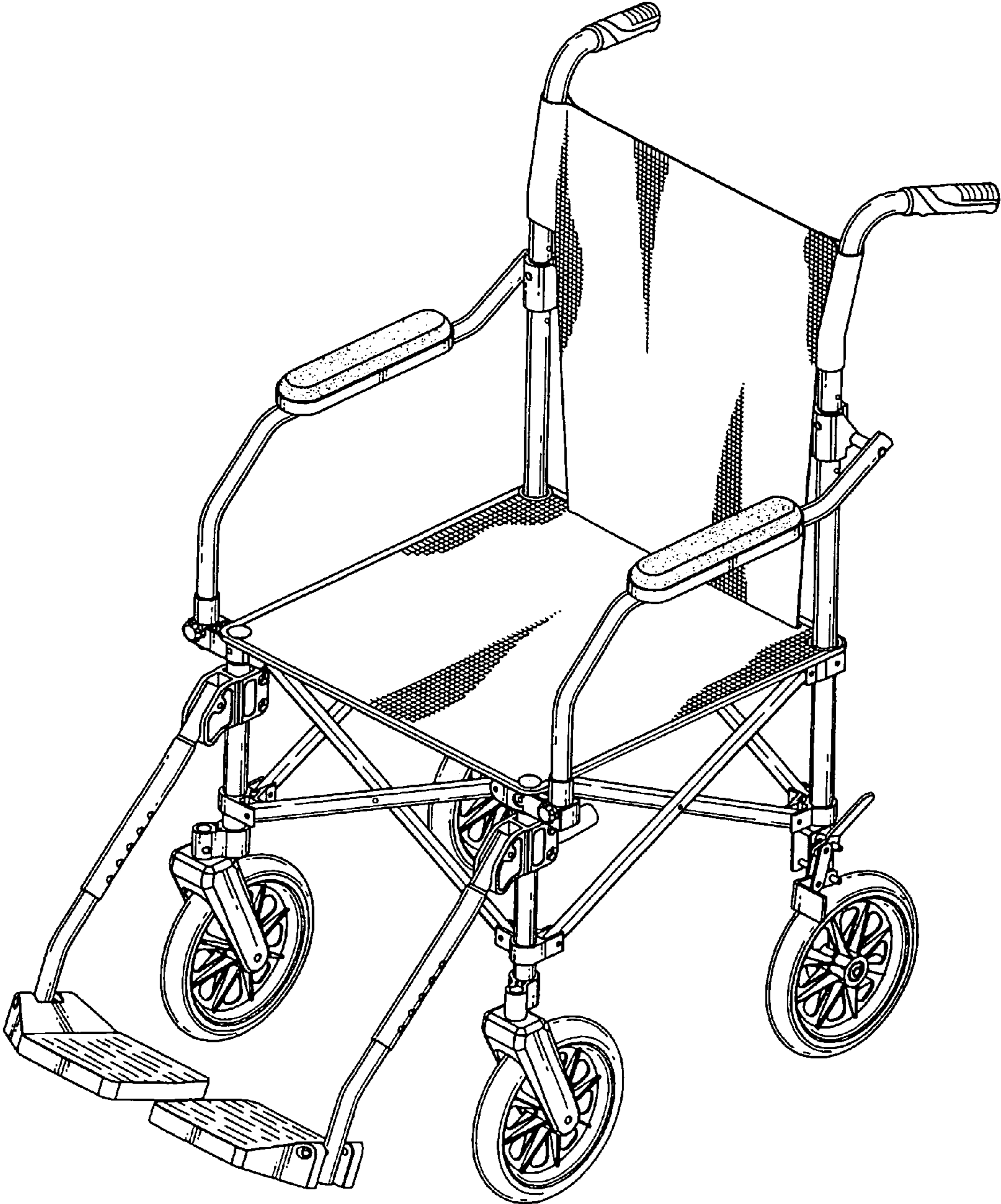


FIG. 1

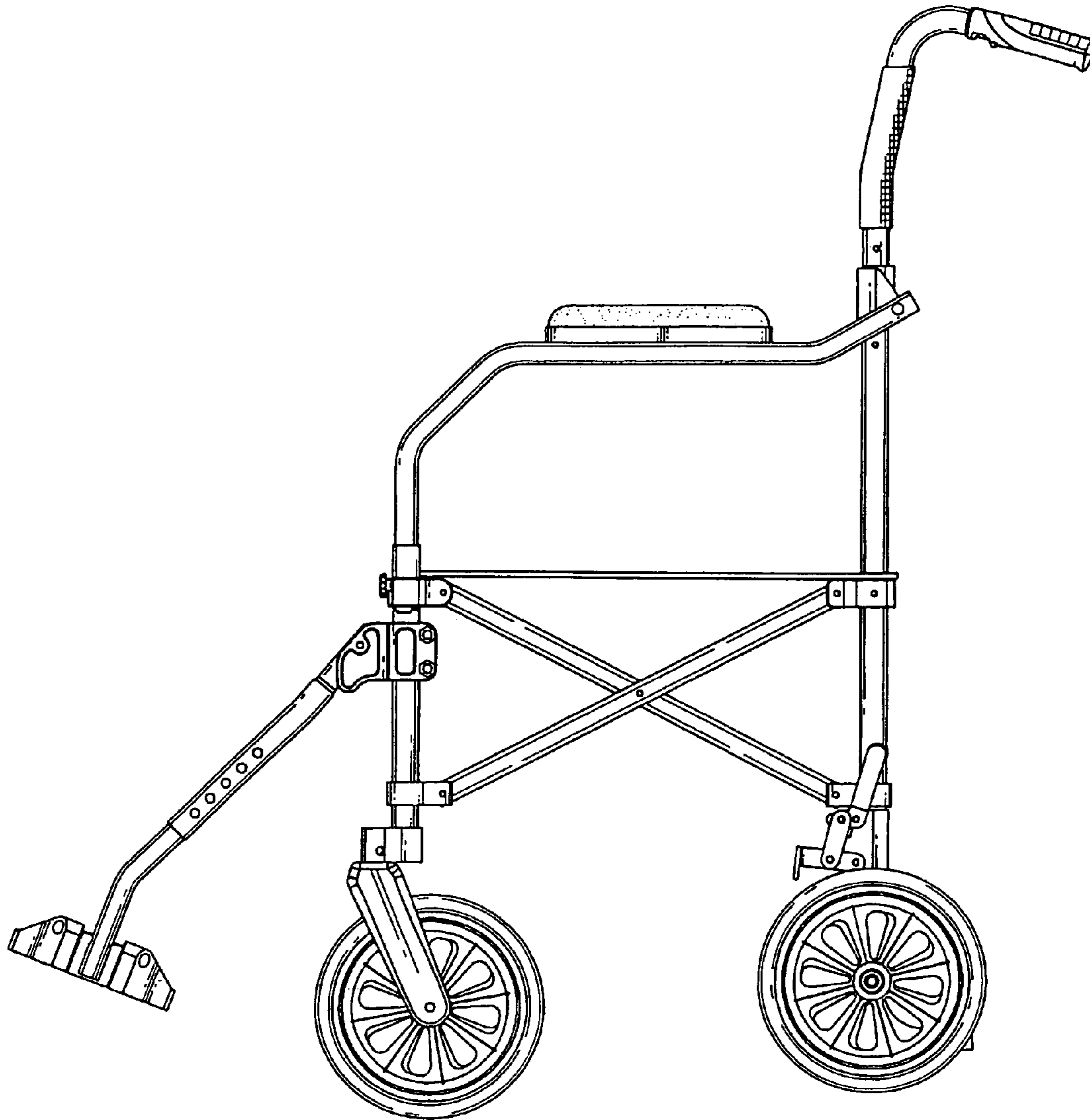


FIG. 2

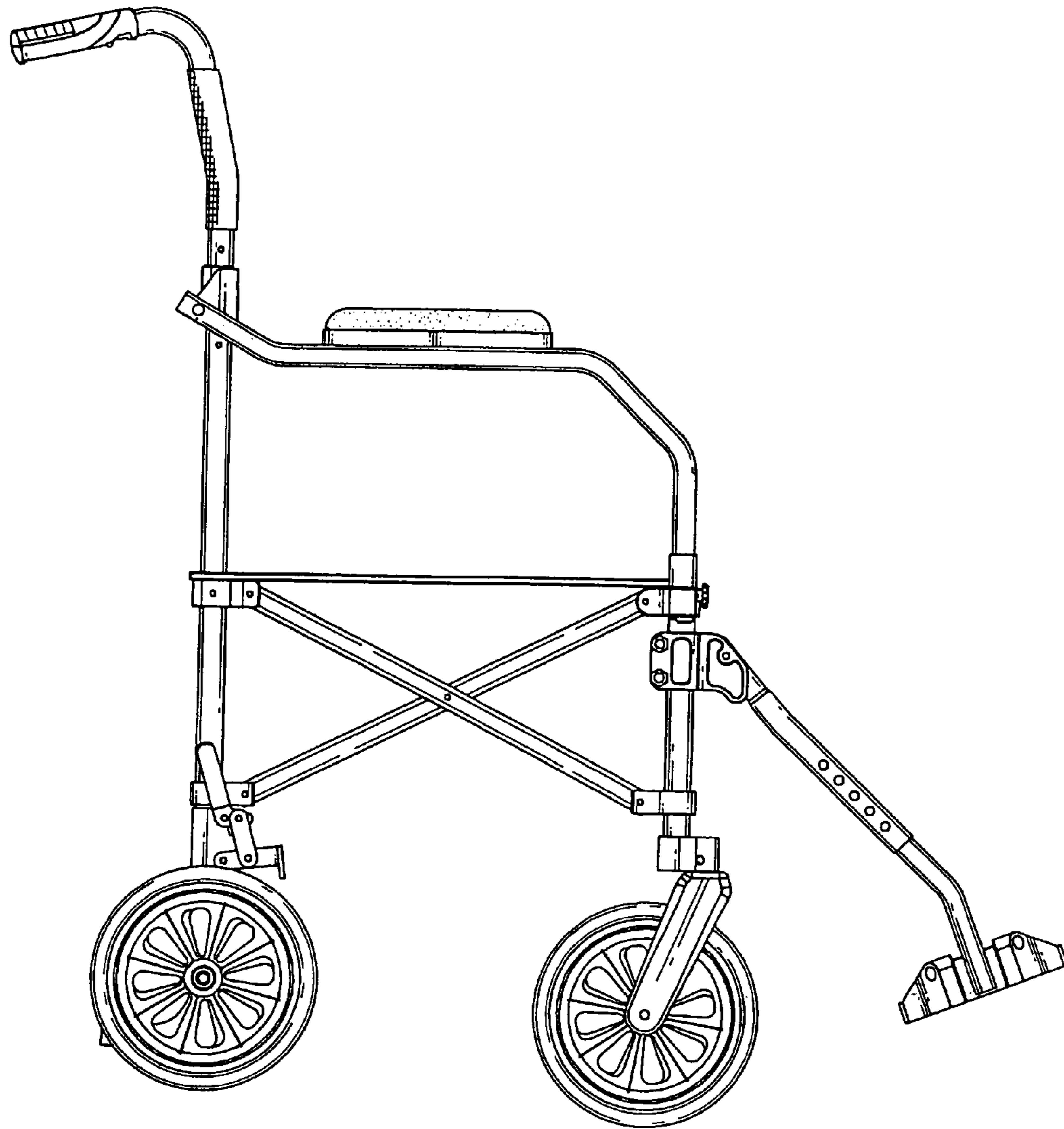


FIG. 3

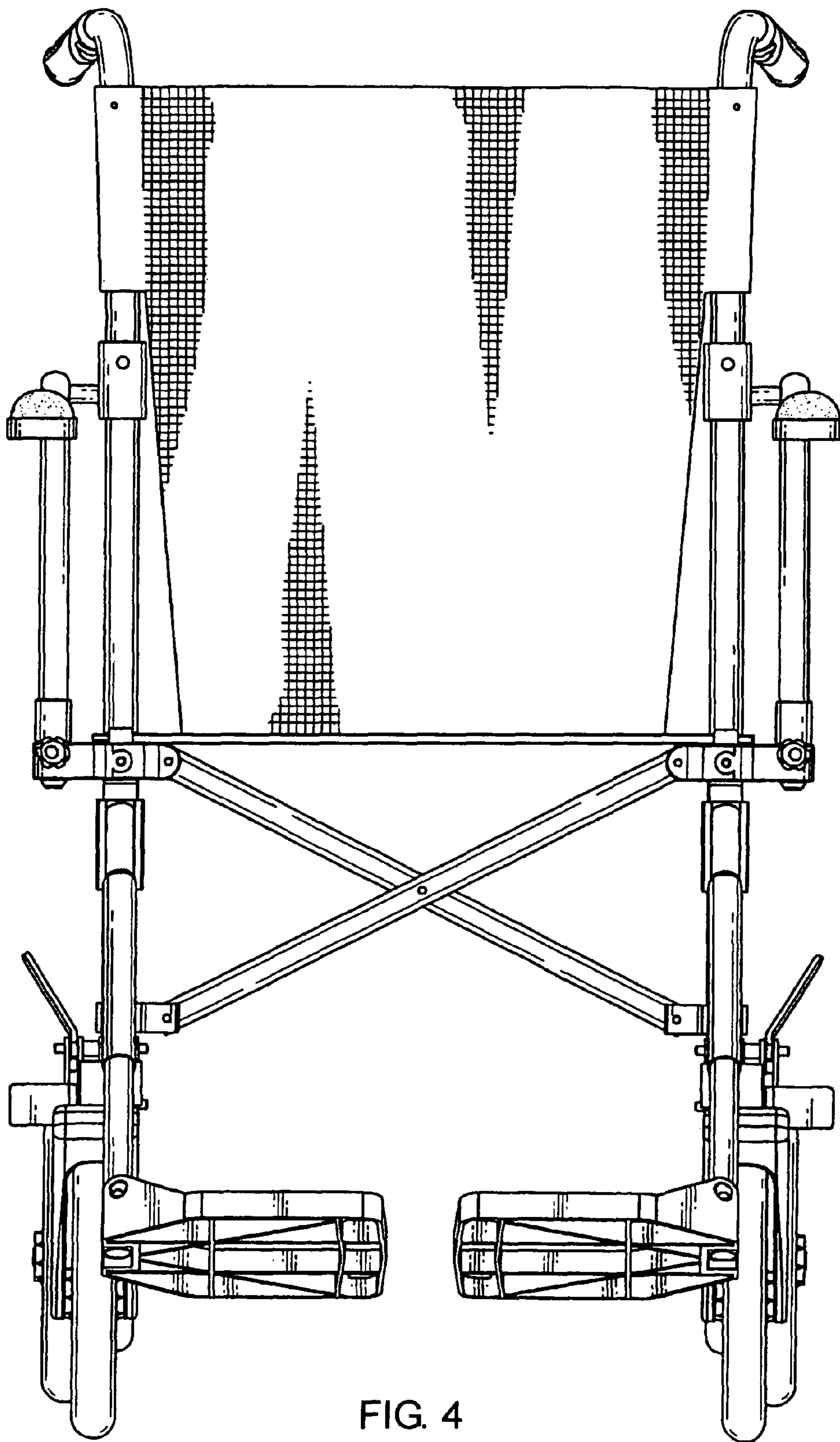


FIG. 4

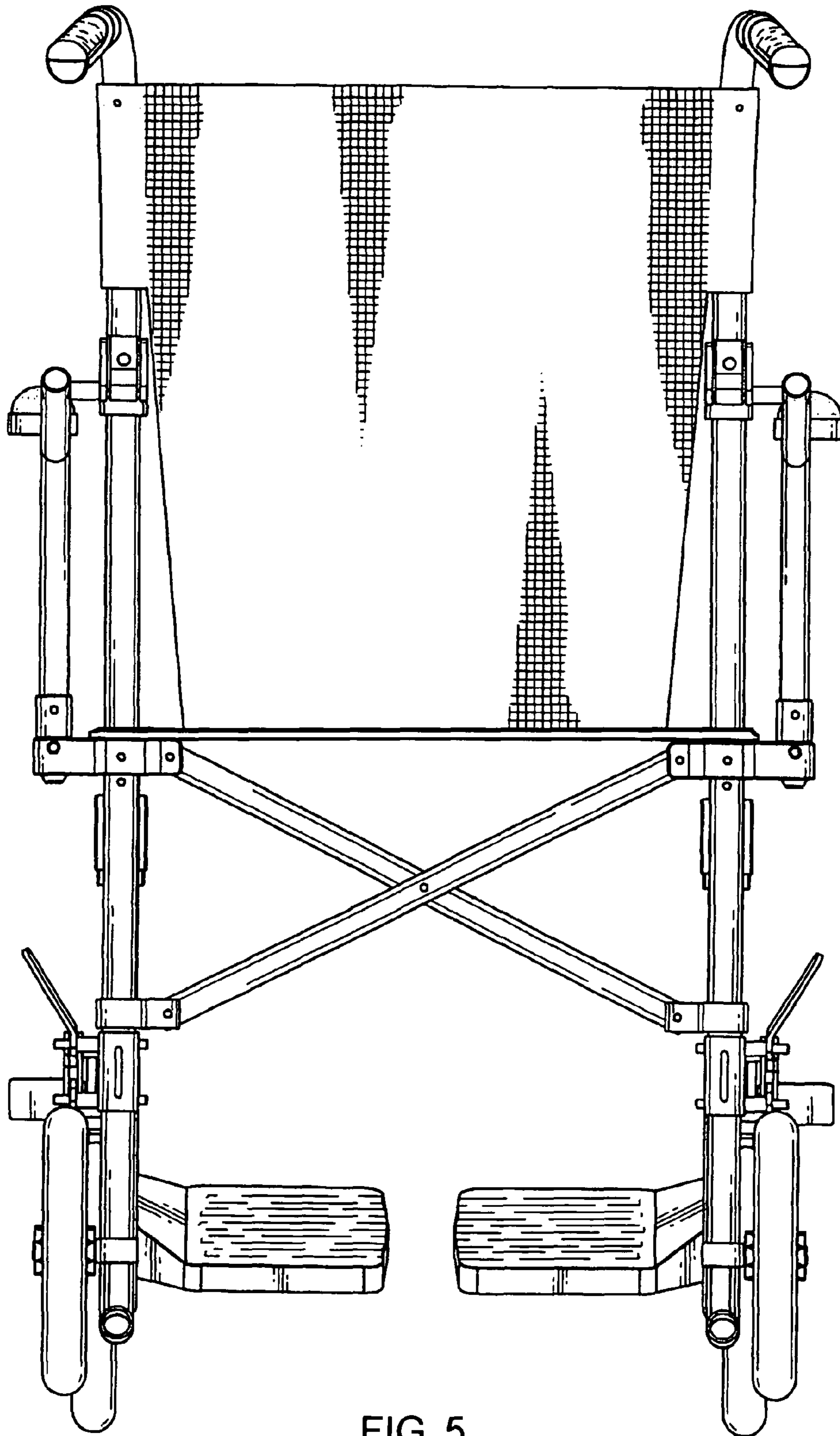


FIG. 5

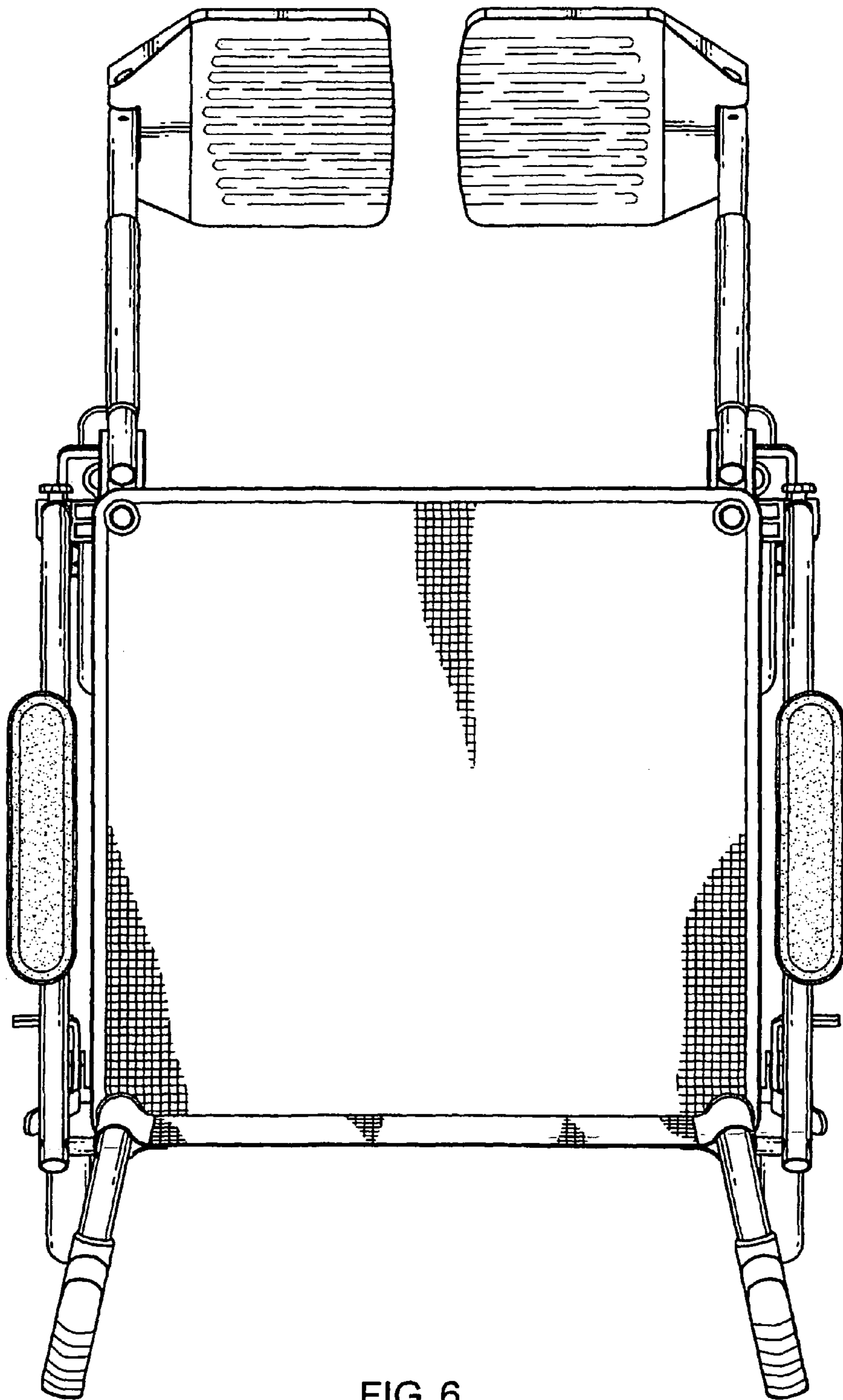


FIG. 6

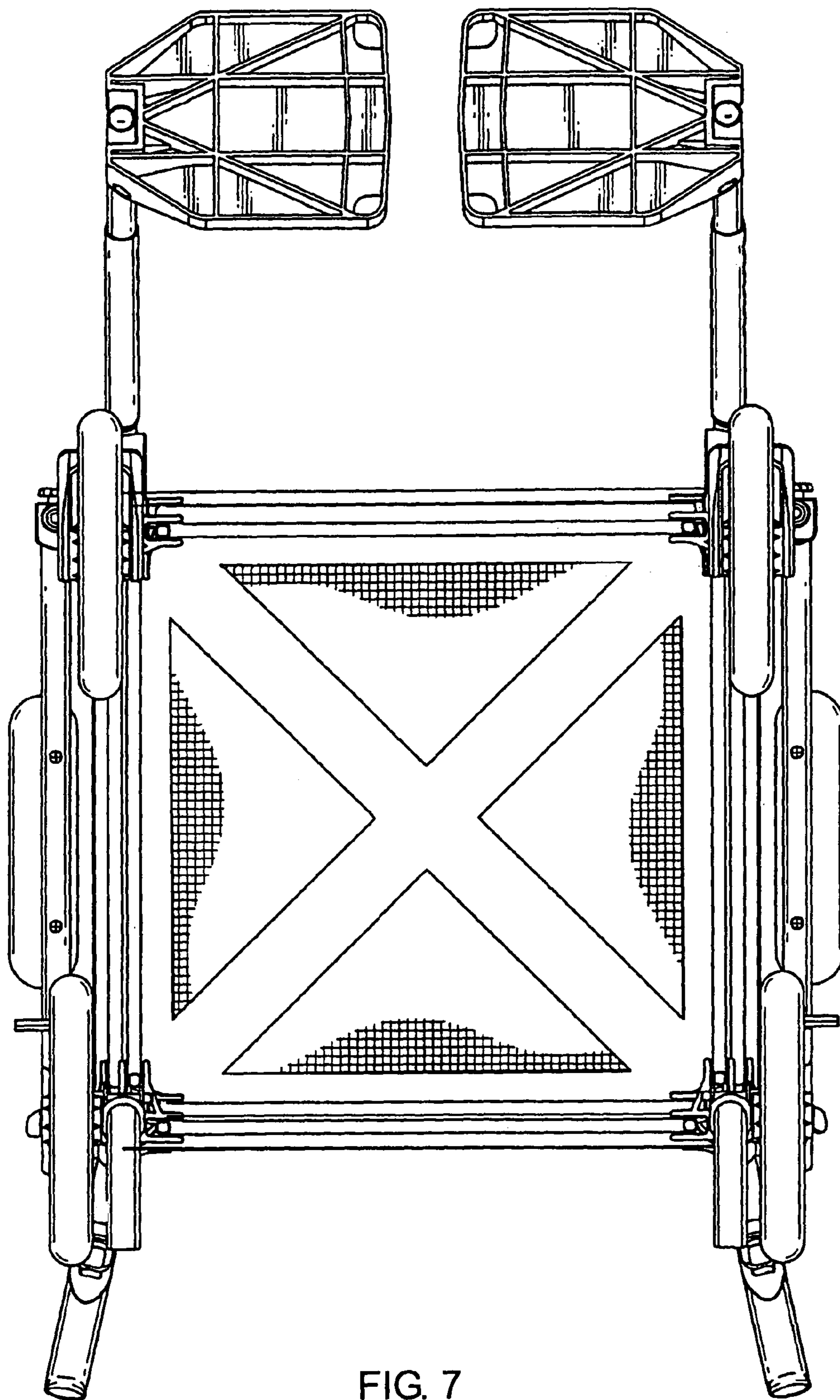


FIG. 7