



US00D618140S

(12) **United States Design Patent**  
**Sanderson et al.**

(10) **Patent No.:** **US D618,140 S**  
(45) **Date of Patent:** **\*\* Jun. 22, 2010**

(54) **FOUR-WHEEL ORTHOPEDIC WHEELED CRUTCH**

(76) Inventors: **Terry Sanderson**, 1012 W. Division St., Mount Vernon, WA (US) 98273; **Bob Cesena**, 1012 W. Division St., Mount Vernon, WA (US) 98273

(\*\*) Term: **14 Years**

(21) Appl. No.: **29/334,918**

(22) Filed: **Apr. 3, 2009**

(51) **LOC (9) Cl.** ..... **12-12**

(52) **U.S. Cl.** ..... **D12/130**

(58) **Field of Classification Search** ..... D12/128-133;  
280/62, 647-650, 29, 200, 47.38, 35, 250.1,  
280/259, 642, 658; 296/65.03, 65.04; 135/65-67,  
135/74; D21/419, 421, 423, 743, 765, 477  
See application file for complete search history.

(56) **References Cited**

**U.S. PATENT DOCUMENTS**

D229,079	S	*	11/1973	Boyle	.....	D21/435
4,029,329	A	*	6/1977	Chambers	.....	280/87.021
4,867,188	A	*	9/1989	Reid	.....	135/67
5,158,313	A	*	10/1992	Becker	.....	280/87.021
D363,904	S	*	11/1995	Stone	.....	D12/130
6,848,696	B2	*	2/2005	Miller	.....	280/87.021

D517,455	S	*	3/2006	Allen et al.	.....	D12/130
7,287,767	B1	*	10/2007	Gomes et al.	.....	280/87.021
7,311,319	B1	*	12/2007	Ortega	.....	280/87.05
D566,199	S	*	4/2008	Wiebenga et al.	.....	D21/419
D589,410	S	*	3/2009	Ramm et al.	.....	D12/130
D597,451	S	*	8/2009	Ramm et al.	.....	D12/130

\* cited by examiner

*Primary Examiner*—Charles A Rademaker

*Assistant Examiner*—Charles D Hanson

(74) *Attorney, Agent, or Firm*—QuickPatents, Inc.; Kevin Prince

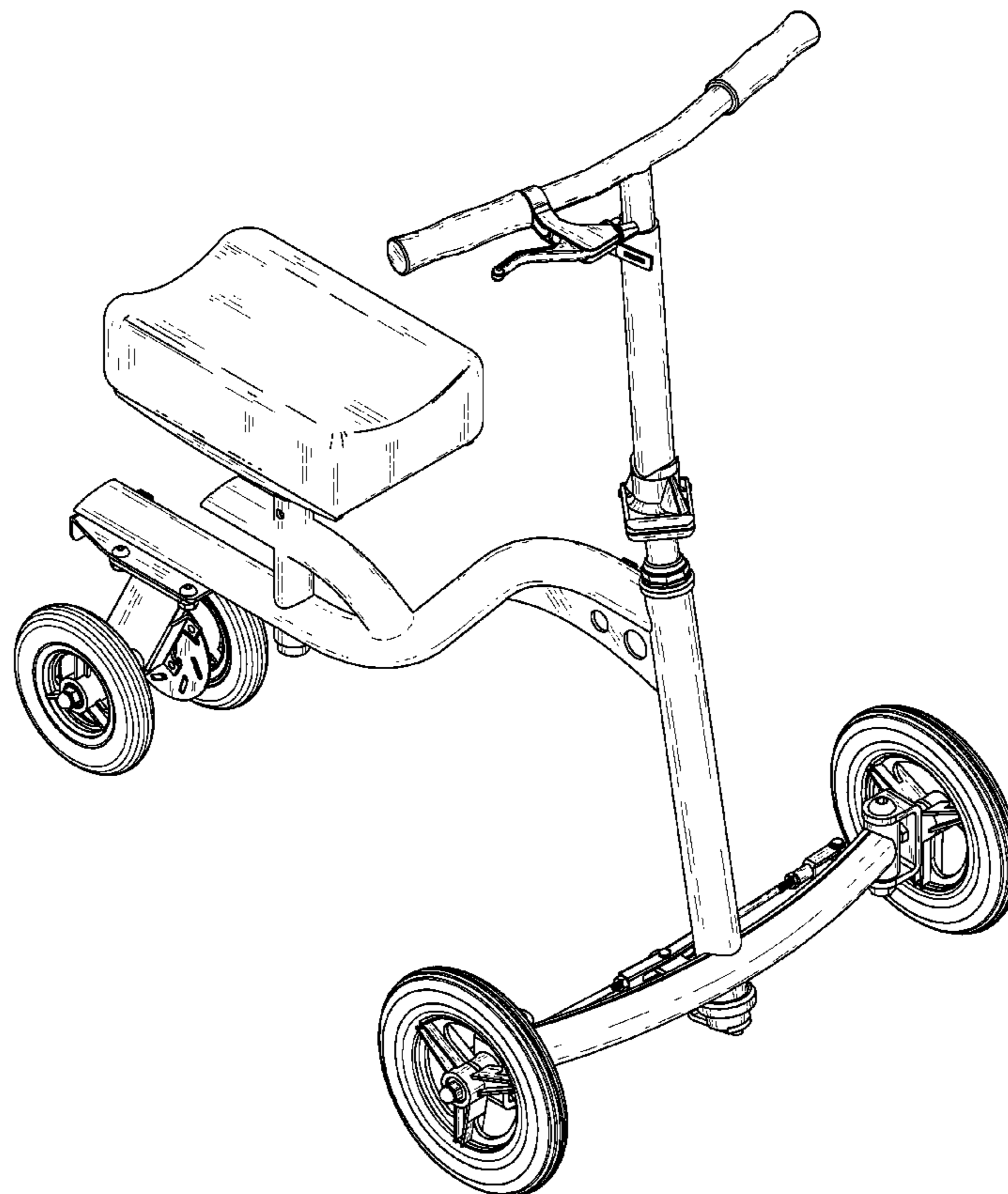
(57) **CLAIM**

We claim the ornamental design for a four-wheel orthopedic wheeled crutch, as shown and described.

**DESCRIPTION**

FIG. 1 is a perspective view of a four-wheel orthopedic wheeled crutch, showing my new design;  
FIG. 2 is a front elevational view thereof;  
FIG. 3 is a rear elevational view thereof;  
FIG. 4 is a right-side elevational view thereof;  
FIG. 5 is a left-side elevational view thereof;  
FIG. 6 is a top plan view thereof; and,  
FIG. 7 is a bottom plan view thereof.

**1 Claim, 7 Drawing Sheets**



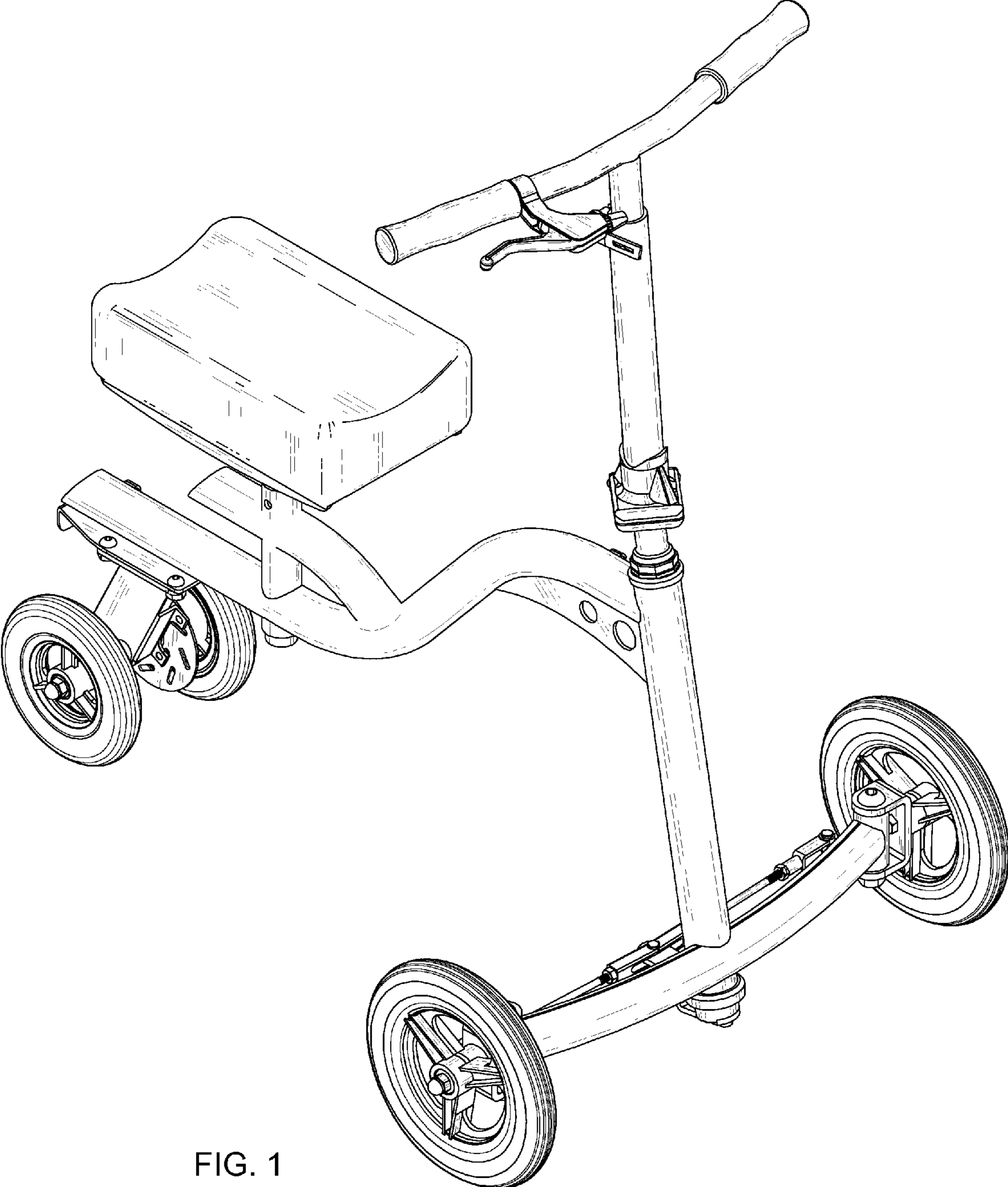


FIG. 1

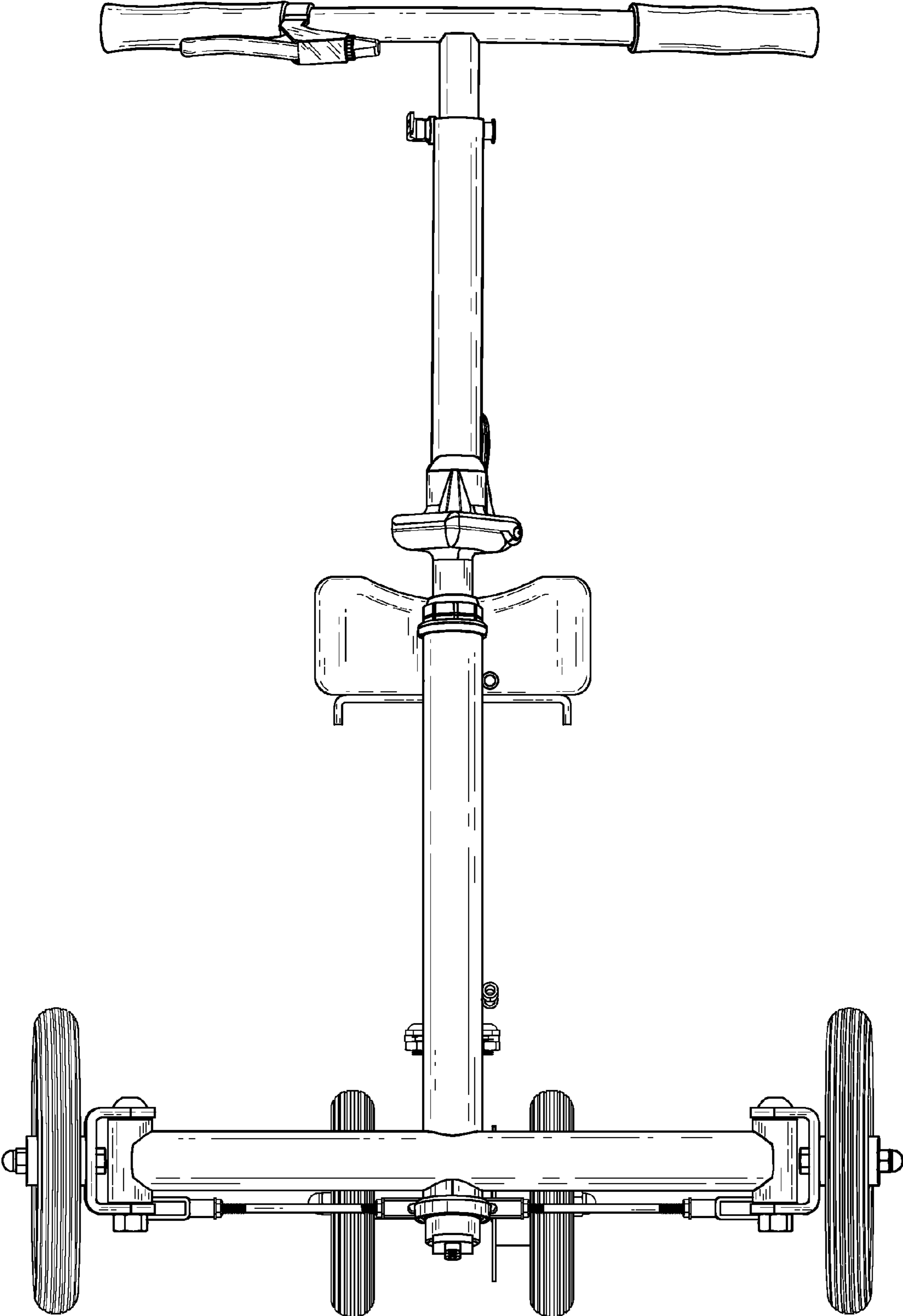


FIG. 2

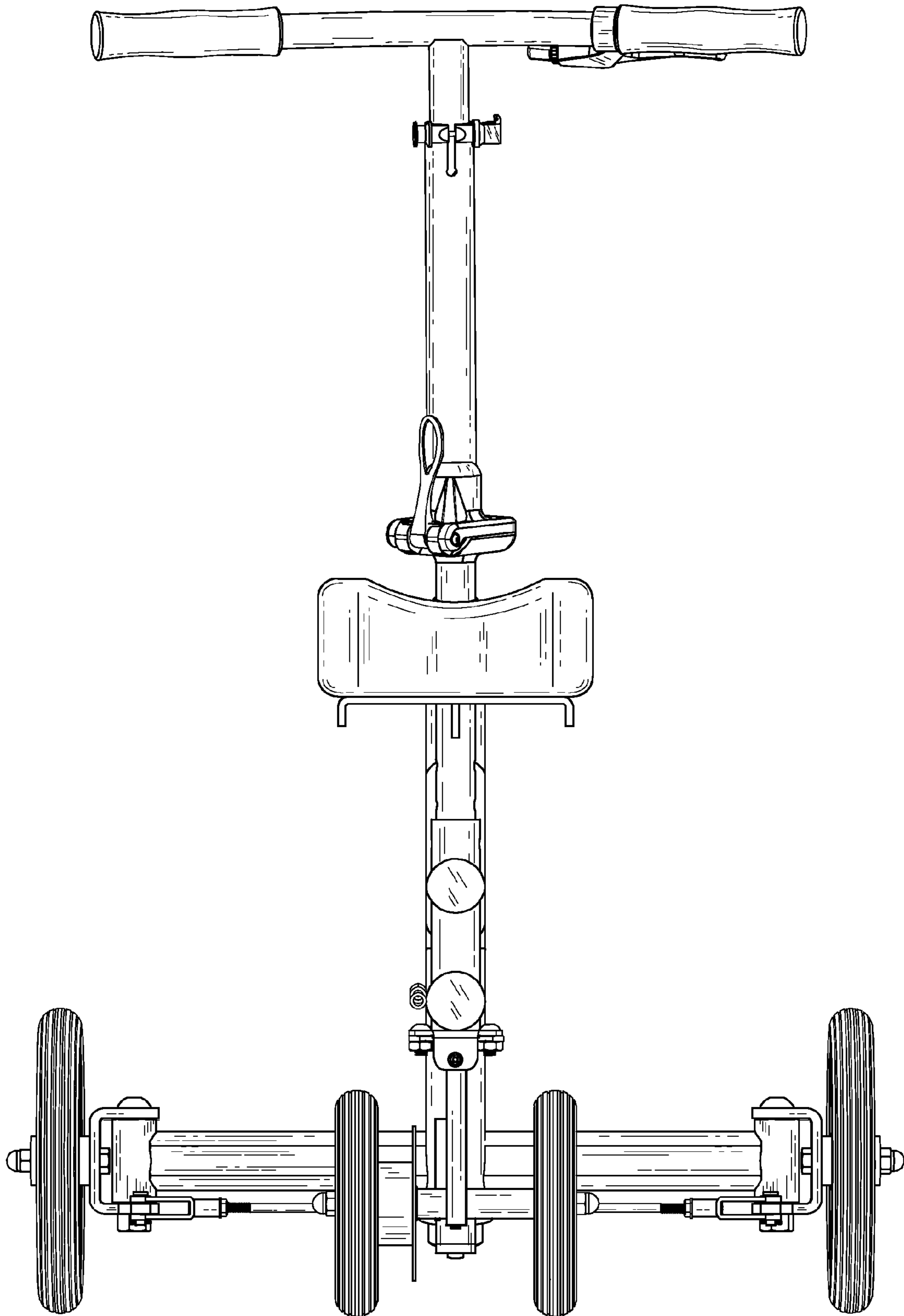


FIG. 3

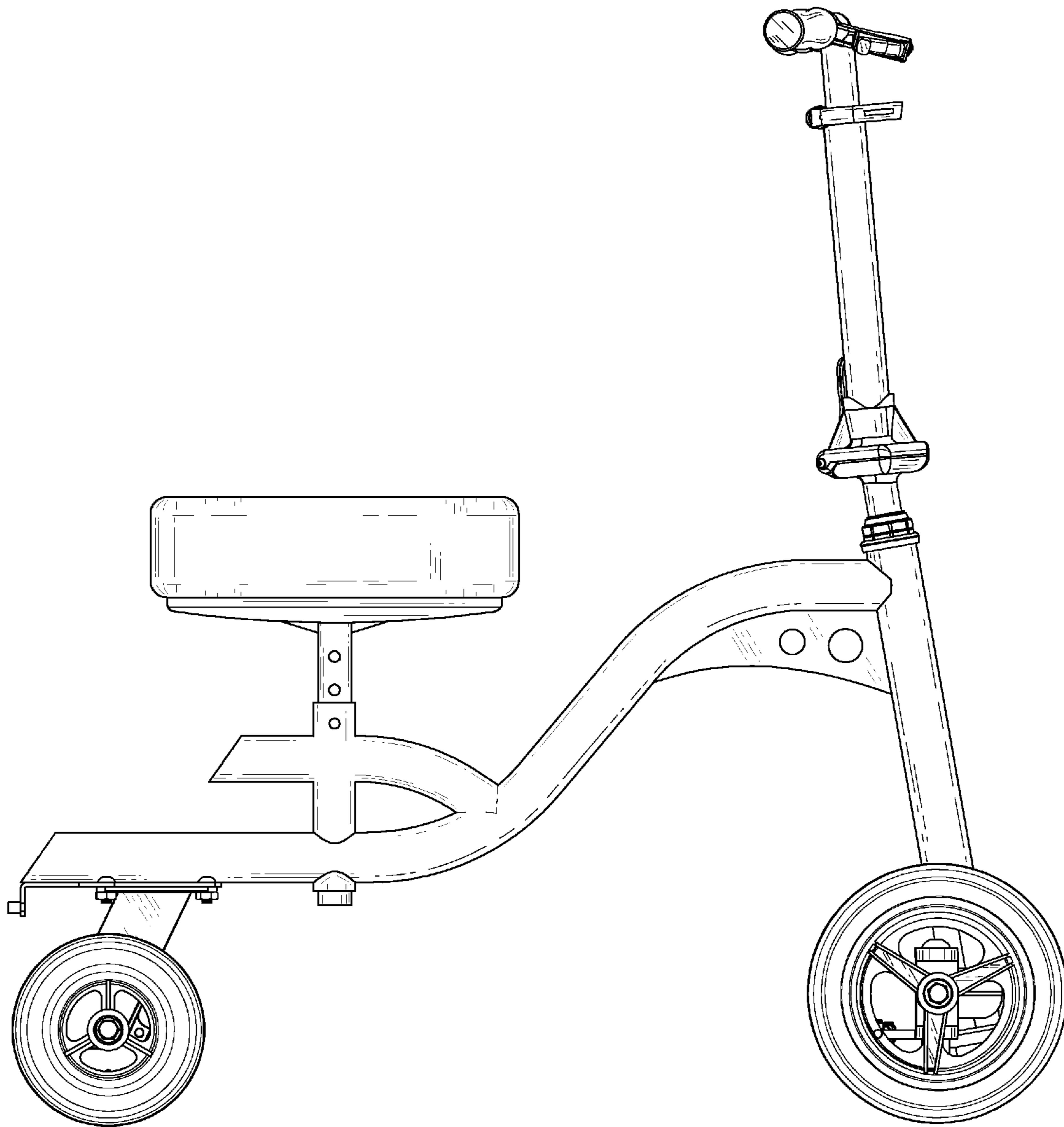


FIG. 4

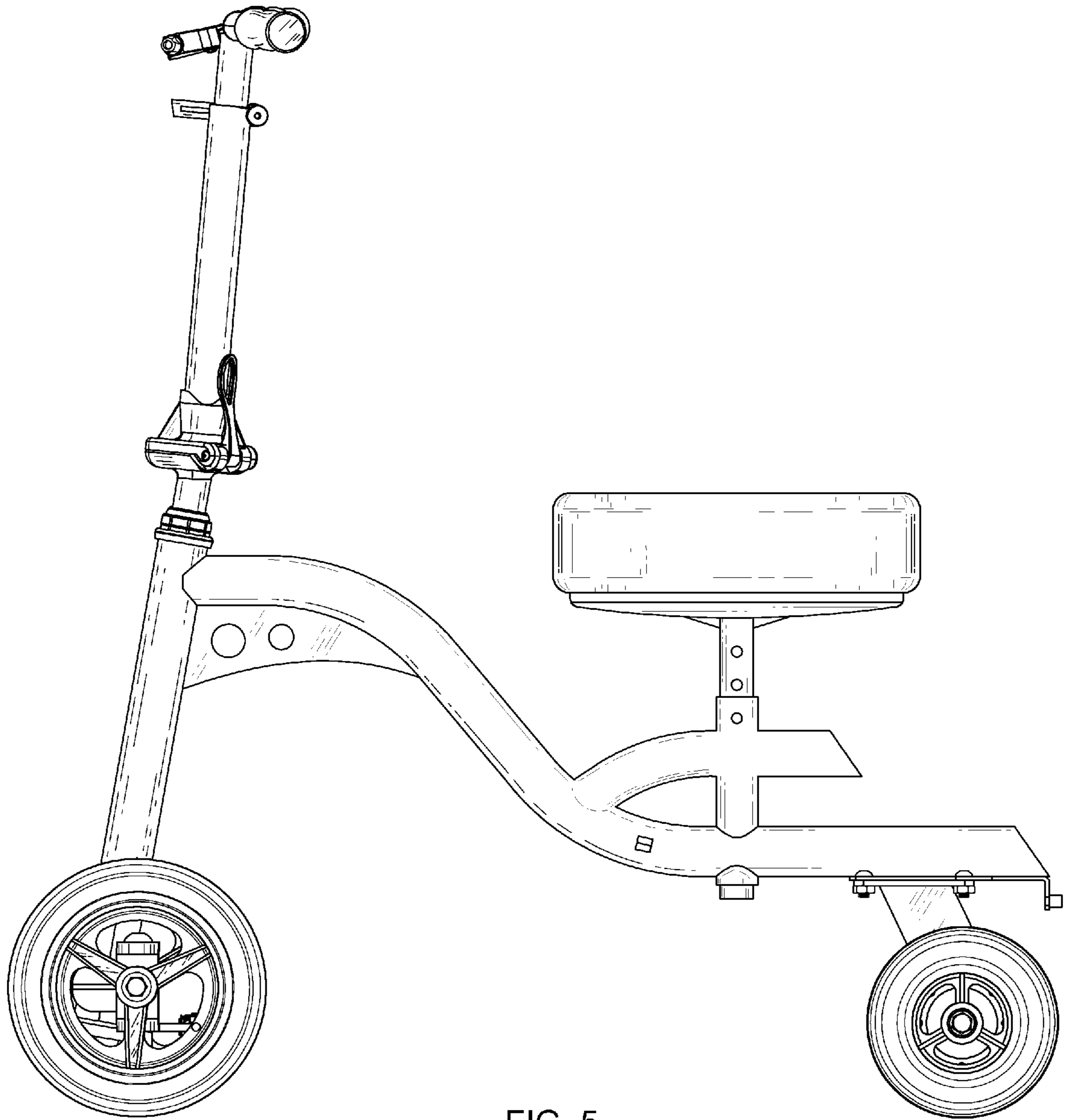


FIG. 5

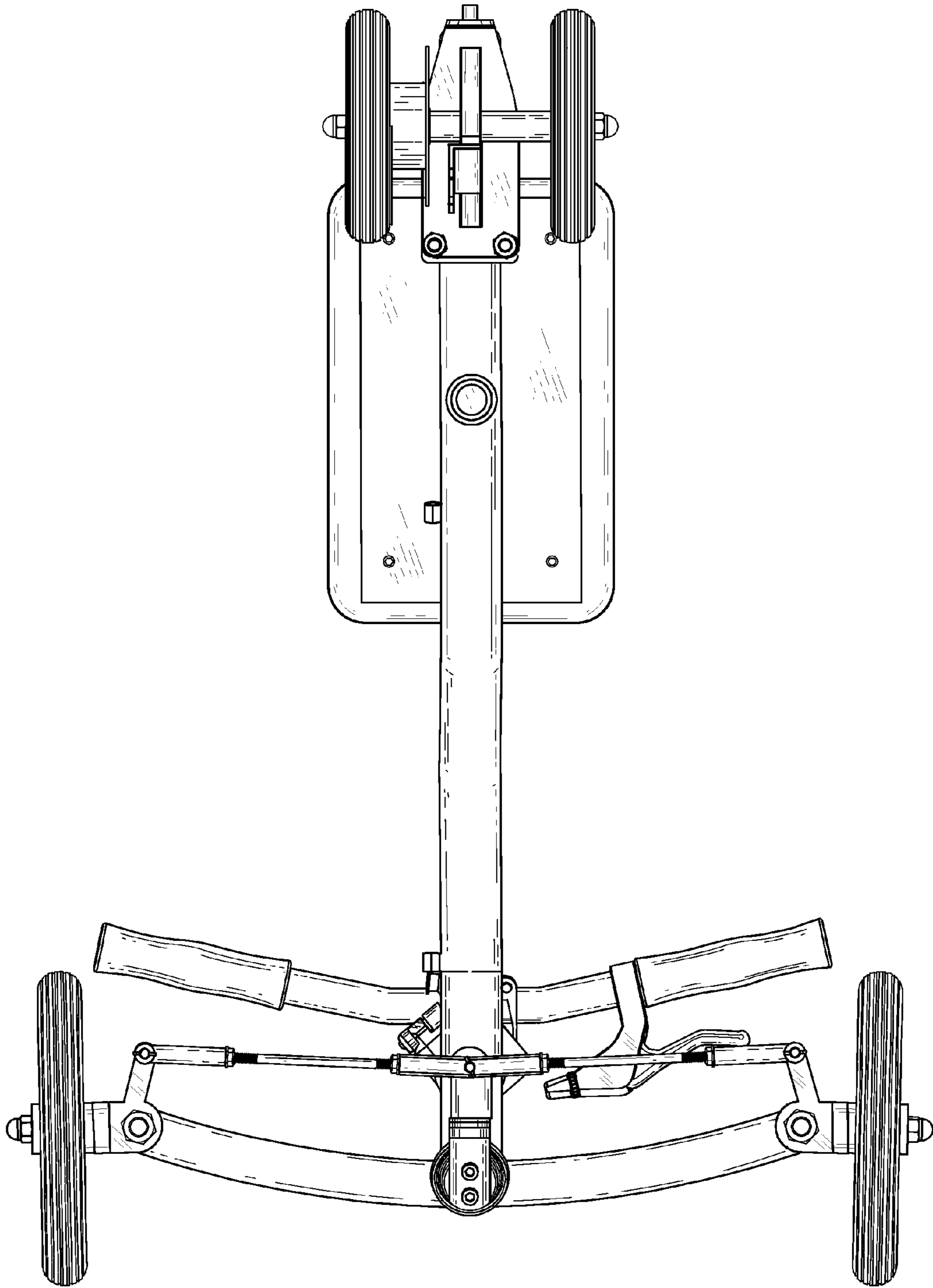


FIG. 6

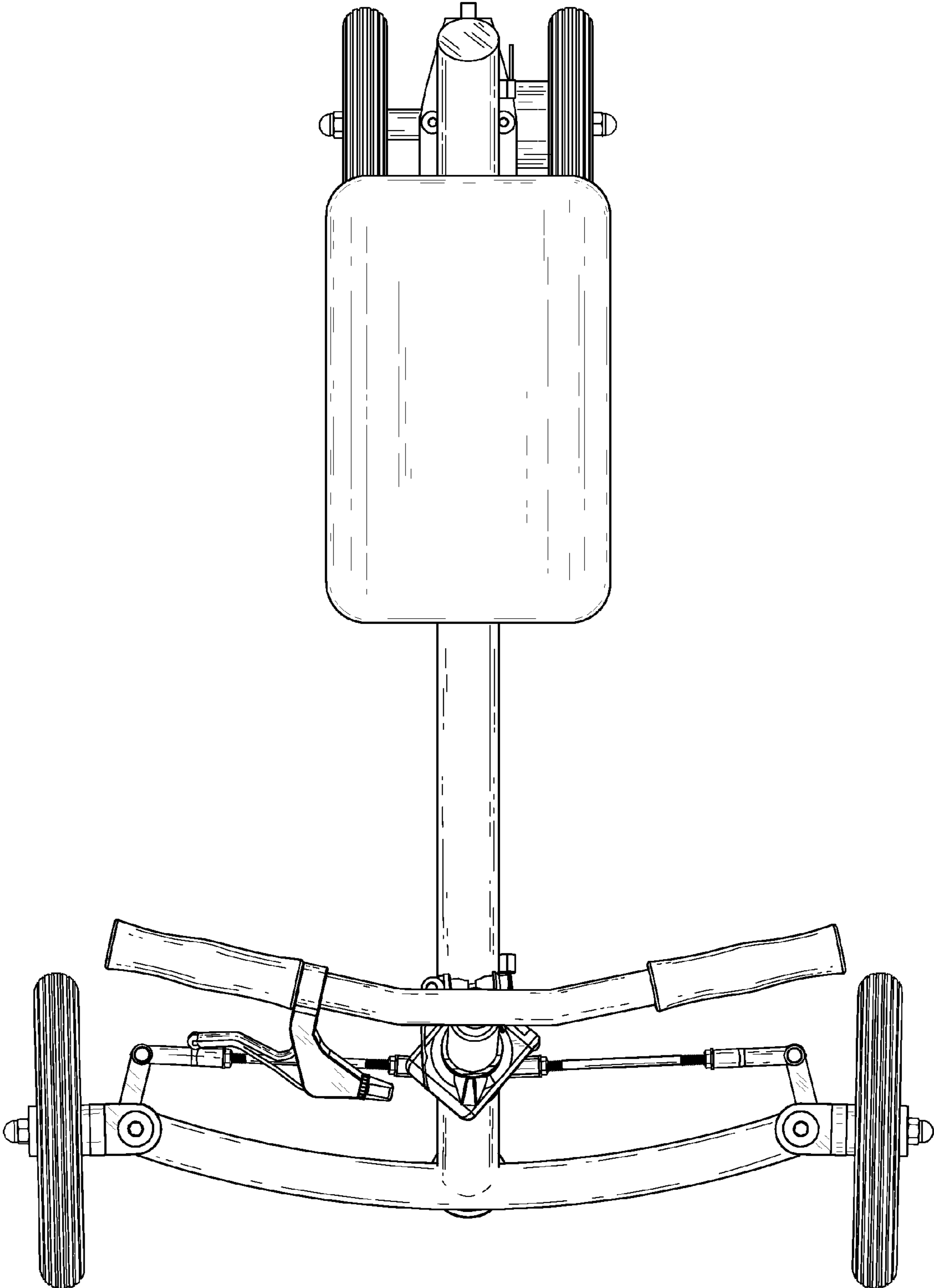


FIG. 7