



US00D618139S

(12) **United States Design Patent**  
**Whitfield**

(10) **Patent No.:** **US D618,139 S**  
(45) **Date of Patent:** **\*\* Jun. 22, 2010**

(54) **GOLF CART CADDY**

(76) Inventor: **Richard Whitfield**, 7407 SE. Hill Ter.,  
Hobe Sound, FL (US) 33455

(\*\*) Term: **14 Years**

(21) Appl. No.: **29/324,491**

(22) Filed: **Sep. 12, 2008**

(51) **LOC (9) Cl.** ..... **12-10**

(52) **U.S. Cl.** ..... **D12/101**

(58) **Field of Classification Search** ..... D12/101-106;  
126/569, 621, 704; 320/101, 136; 296/180.2,  
296/181.3, 164, 165, 100.06; 280/204, 656,  
280/400, 415.1; D15/27; D21/433, 434,  
D21/552-560; 62/275; 180/326, 208; 473/139  
See application file for complete search history.

(56) **References Cited**

**U.S. PATENT DOCUMENTS**

D215,542 S *	10/1969	Sherer	.....	D12/10
D221,991 S *	9/1971	Jensen	.....	D15/27
4,119,331 A *	10/1978	Jackson	.....	280/639
4,170,370 A *	10/1979	Schaefer	.....	280/400
5,732,788 A *	3/1998	Brown	.....	180/326
6,193,256 B1 *	2/2001	Banary, Jr.	.....	280/400
6,227,217 B1 *	5/2001	Peta	.....	135/88.07
6,557,882 B2 *	5/2003	Harrington	.....	280/415.1
6,579,189 B2 *	6/2003	Anzaldua	.....	473/139
6,641,192 B2 *	11/2003	Eschenfelder	.....	296/37.1

6,880,880 B1 *	4/2005	Armstrong	.....	296/183.1
6,929,083 B2 *	8/2005	Hurlburt	.....	180/208
D513,717 S *	1/2006	Wittkowski	.....	D12/101
D544,406 S *	6/2007	Lang	.....	D12/101
D590,746 S *	4/2009	Yang	.....	D12/101
2004/0238387 A1 *	12/2004	Heidenreich	.....	206/315.3
2008/0099645 A1 *	5/2008	Reichley	.....	248/285.1

\* cited by examiner

*Primary Examiner*—Cathron C Brooks

*Assistant Examiner*—Austin Murphy

(74) *Attorney, Agent, or Firm*—McHale & Slavin, P.A.

(57) **CLAIM**

The ornamental design for a golf cart caddy, as shown and described.

**DESCRIPTION**

FIG. 1 is a front elevation view of the golf cart caddy of the instant invention;

FIG. 2 is a top view thereof;

FIG. 3 is a right side view thereof; the left side view being a mirror image thereof; and,

FIG. 4 is a rear elevation view thereof.

The broken lines shown in the drawings represent portions of the golf cart caddy that form no part of the claimed design. The dashed dot dashed dot lines represent the boundaries of the claimed design in FIG. 4.

**1 Claim, 4 Drawing Sheets**

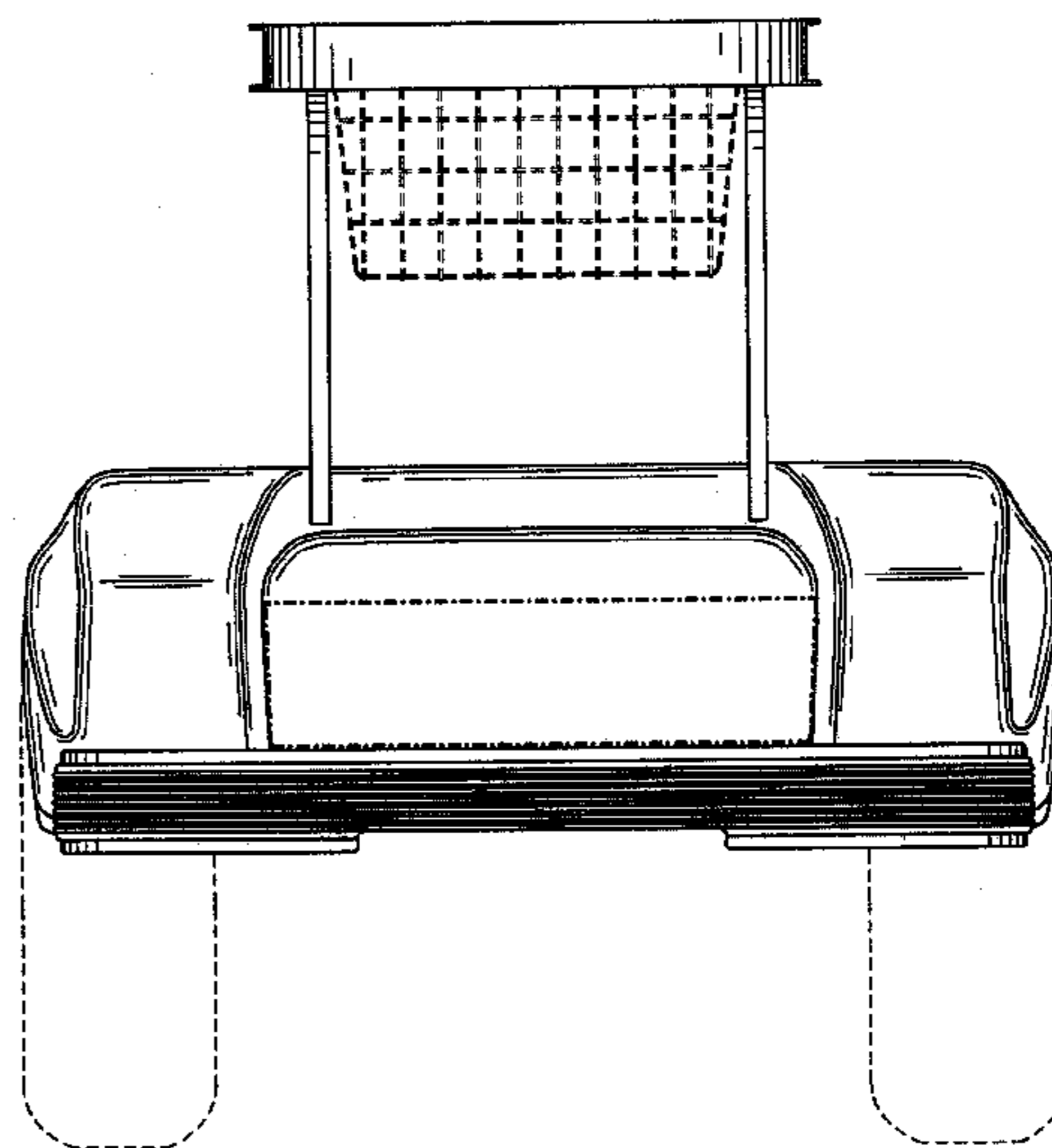
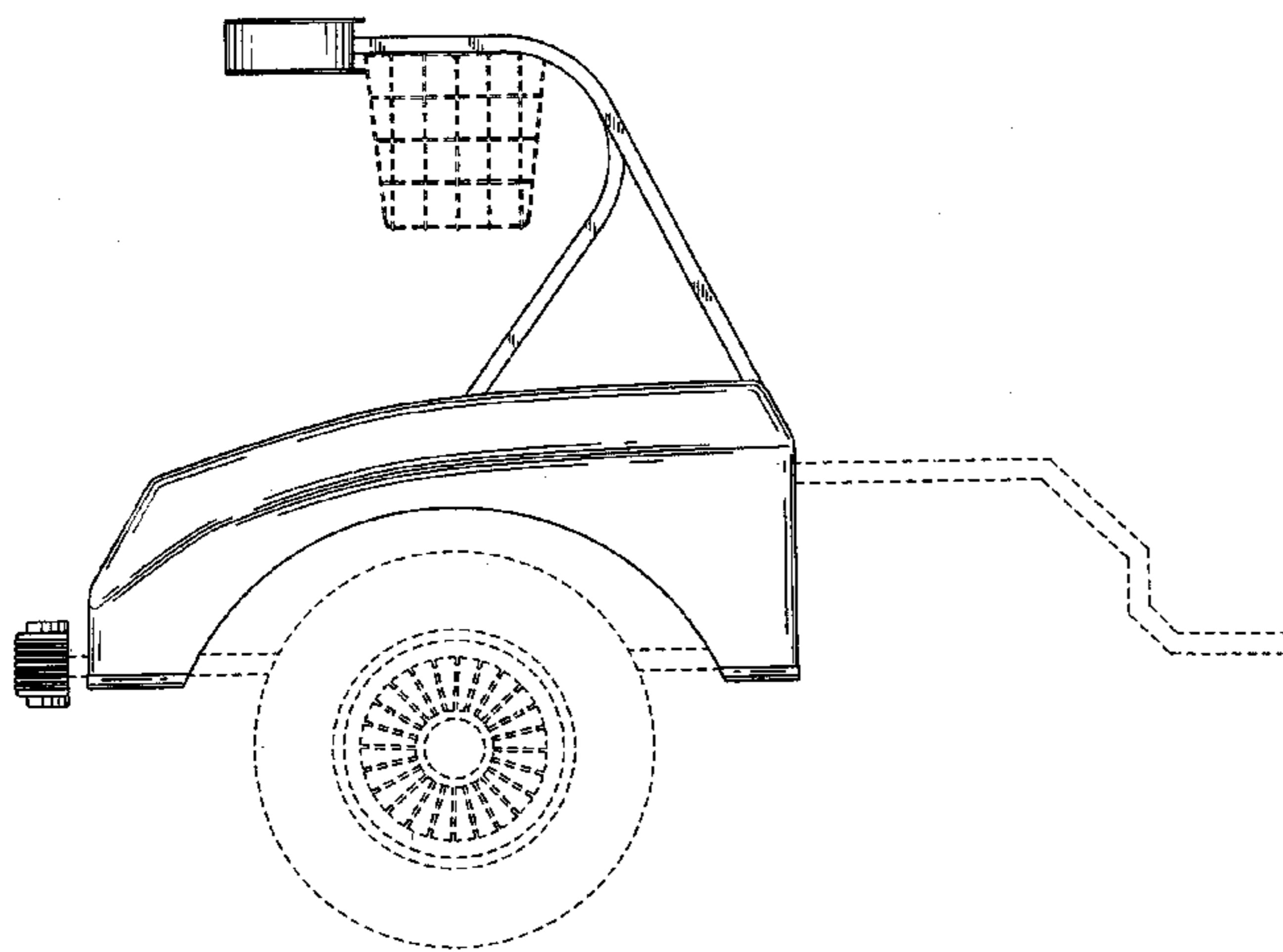


FIG. 1

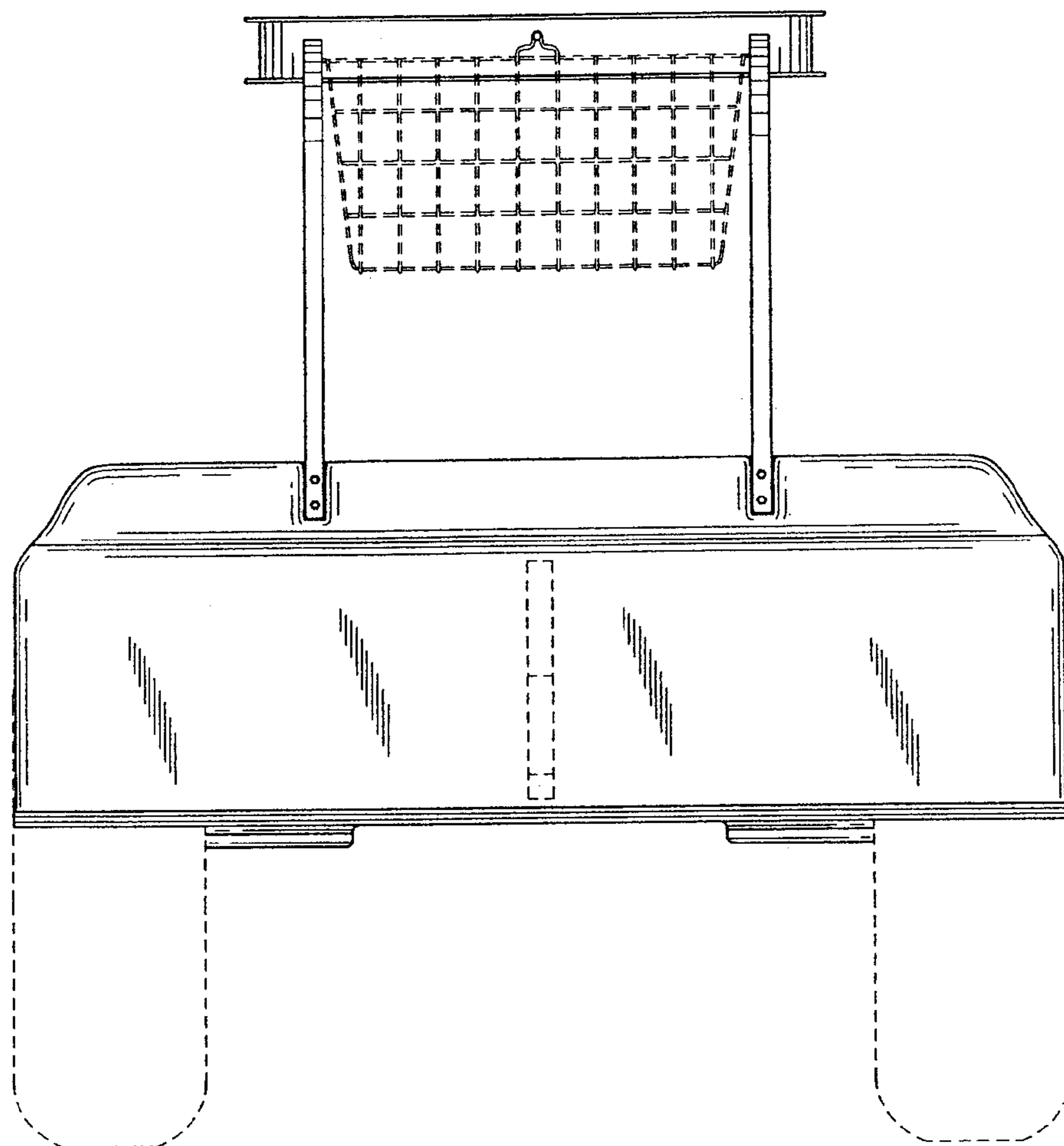


FIG. 2

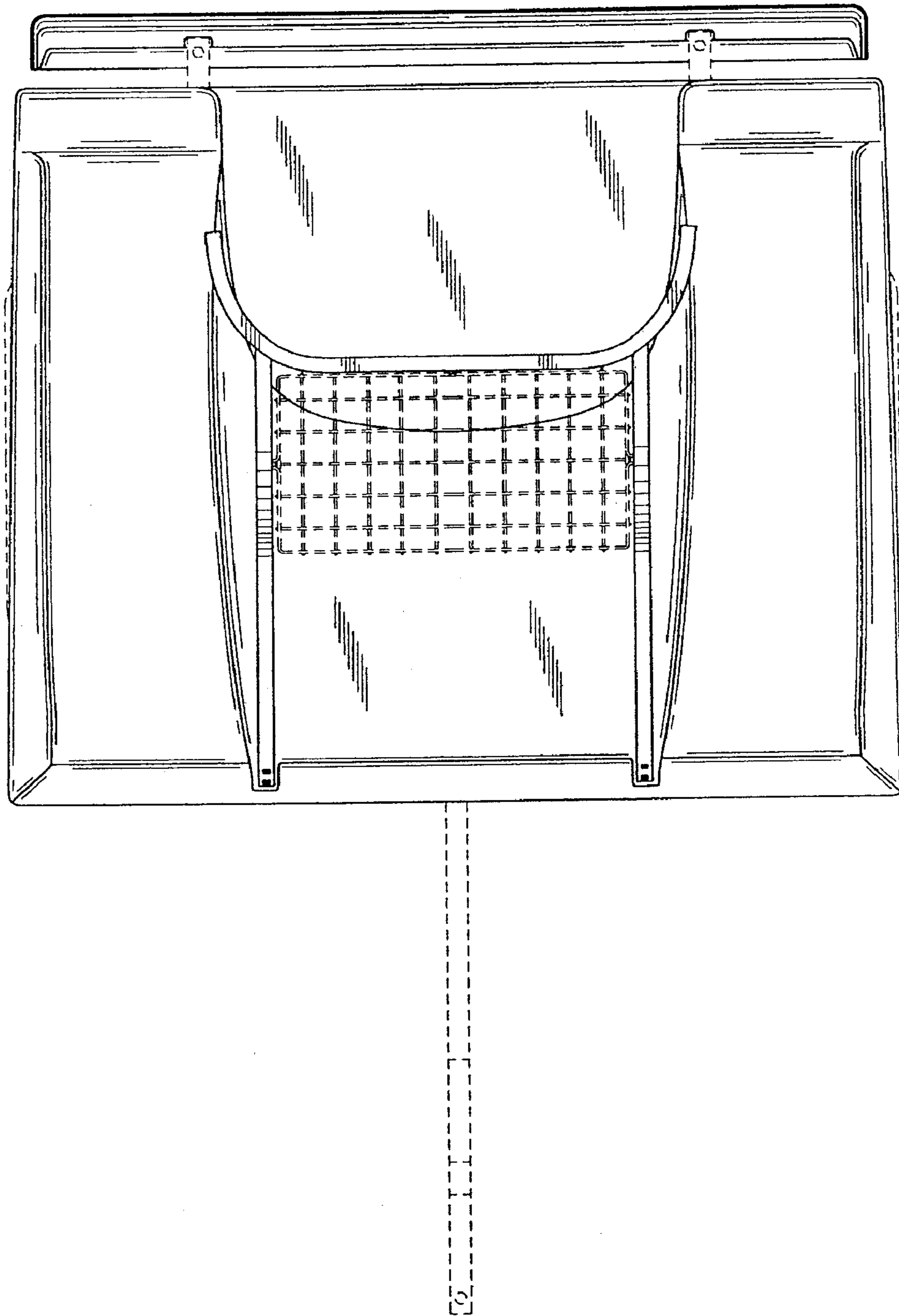


FIG. 3

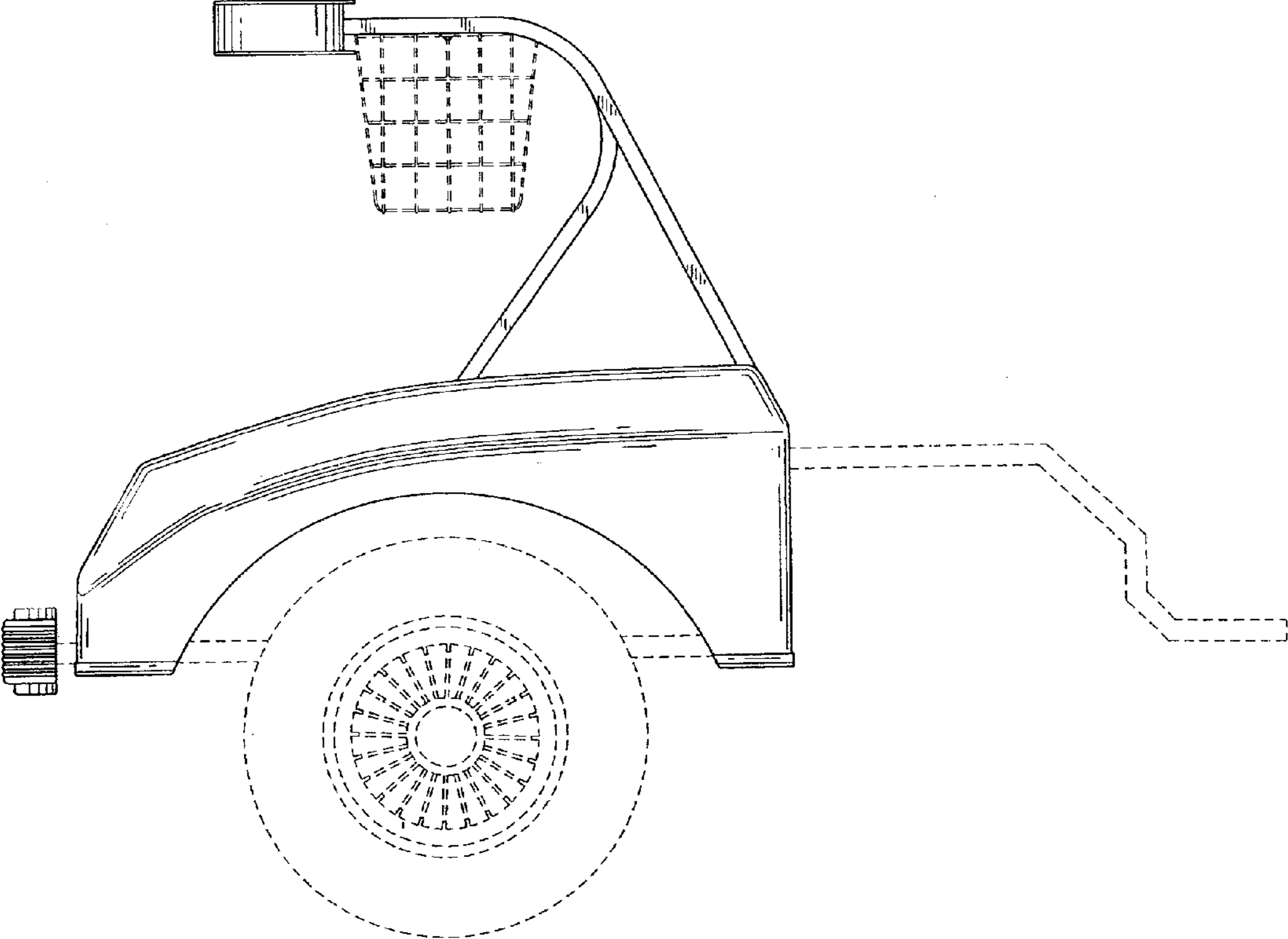


FIG. 4

