



US00D618137S

(12) **United States Design Patent**
Yuan

(10) **Patent No.:** **US D618,137 S**
(45) **Date of Patent:** **** Jun. 22, 2010**

(54) **ELECTRIC GOLF CAR**

D571,689 S * 6/2008 Andrews et al. D12/16
D600,593 S * 9/2009 Hanson et al. D12/16
2007/0267241 A1* 11/2007 Ball 180/312

(75) Inventor: **Sheng Yuan, WuXi (CN)**

(73) Assignee: **Jiangsu Jewell Electrodynamic
Technology Co., Ltd., Wuxi, Jiangsu
(CN)**

* cited by examiner

Primary Examiner—T. Chase Nelson
Assistant Examiner—Ania K Dworzecka
(74) *Attorney, Agent, or Firm*—Cheng-Ju Chiang

(**) Term: **14 Years**

(21) Appl. No.: **29/346,159**

(57) **CLAIM**

(22) Filed: **Oct. 28, 2009**

The ornamental design for an electric golf car, as shown and described.

(51) **LOC (9) Cl.** **12-02**

(52) **U.S. Cl.** **D12/16**

(58) **Field of Classification Search** D12/87,
D12/86, 1, 433, 15, 16, 107, 82, 88, 89, 90,
D12/91, 92, 93; D15/30; D21/803; 180/233,
180/908; 280/DIG. 5, 183, 184, 185, 186,
280/28, 37.7

See application file for complete search history.

DESCRIPTION

FIG. 1 is a front perspective view of an electric golf car showing my new design.

FIG. 2 is a front elevation view thereof;

FIG. 3 is a rear elevation view thereof;

FIG. 4 is a left side elevation view thereof;

FIG. 5 is a right side elevation view thereof; and,

FIG. 6 is a top plan view thereof.

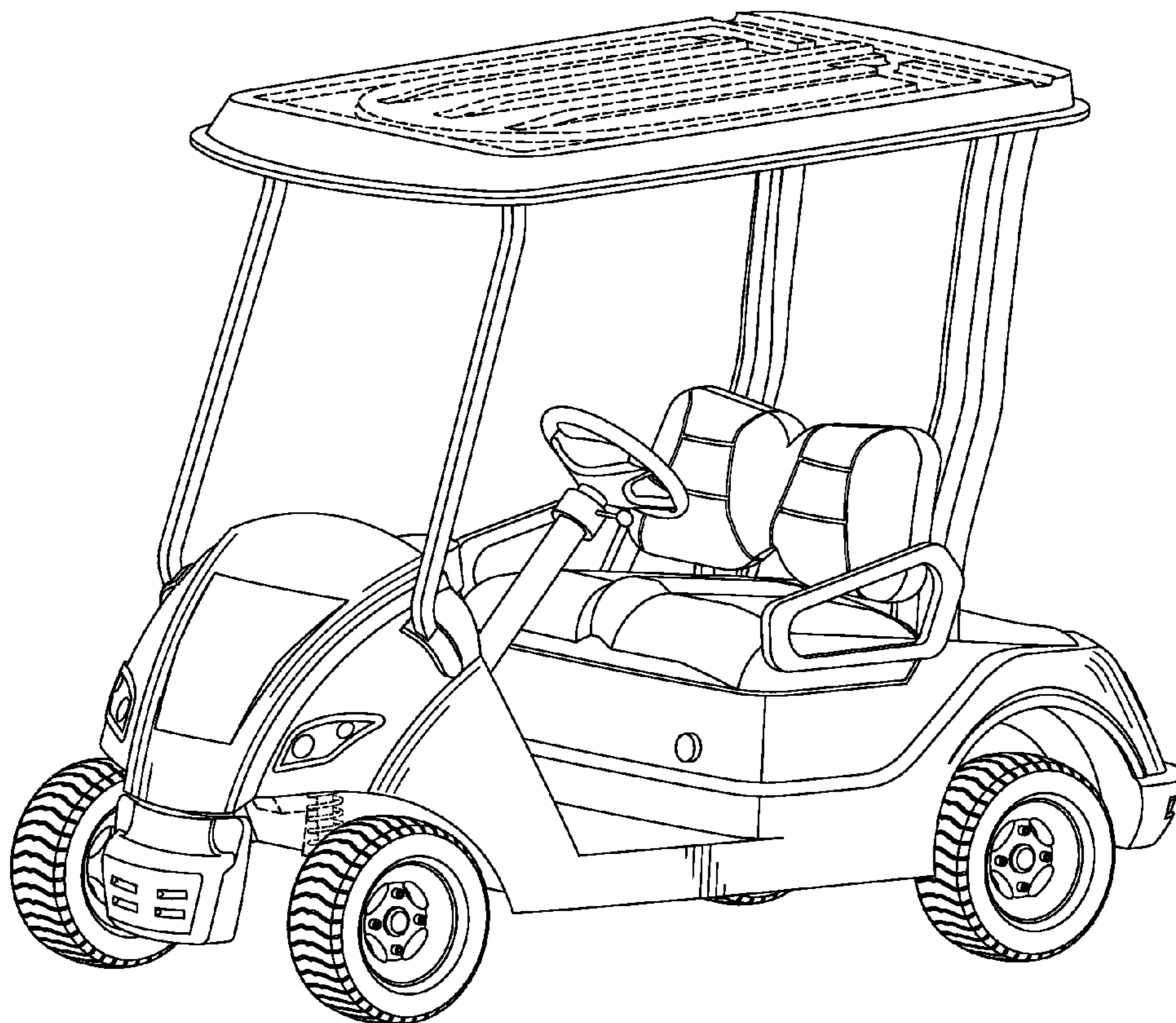
The broken lines showing of elements in the figures are for the purpose of illustrating environment and form no part of the claimed design.

(56) **References Cited**

U.S. PATENT DOCUMENTS

D430,619 S * 9/2000 Wang et al. D21/433
D483,079 S * 12/2003 Wang et al. D21/433
D498,704 S * 11/2004 Bonner et al. D12/16
D514,981 S * 2/2006 Andrews et al. D12/16
D541,699 S * 5/2007 Andrews et al. D12/16

1 Claim, 6 Drawing Sheets



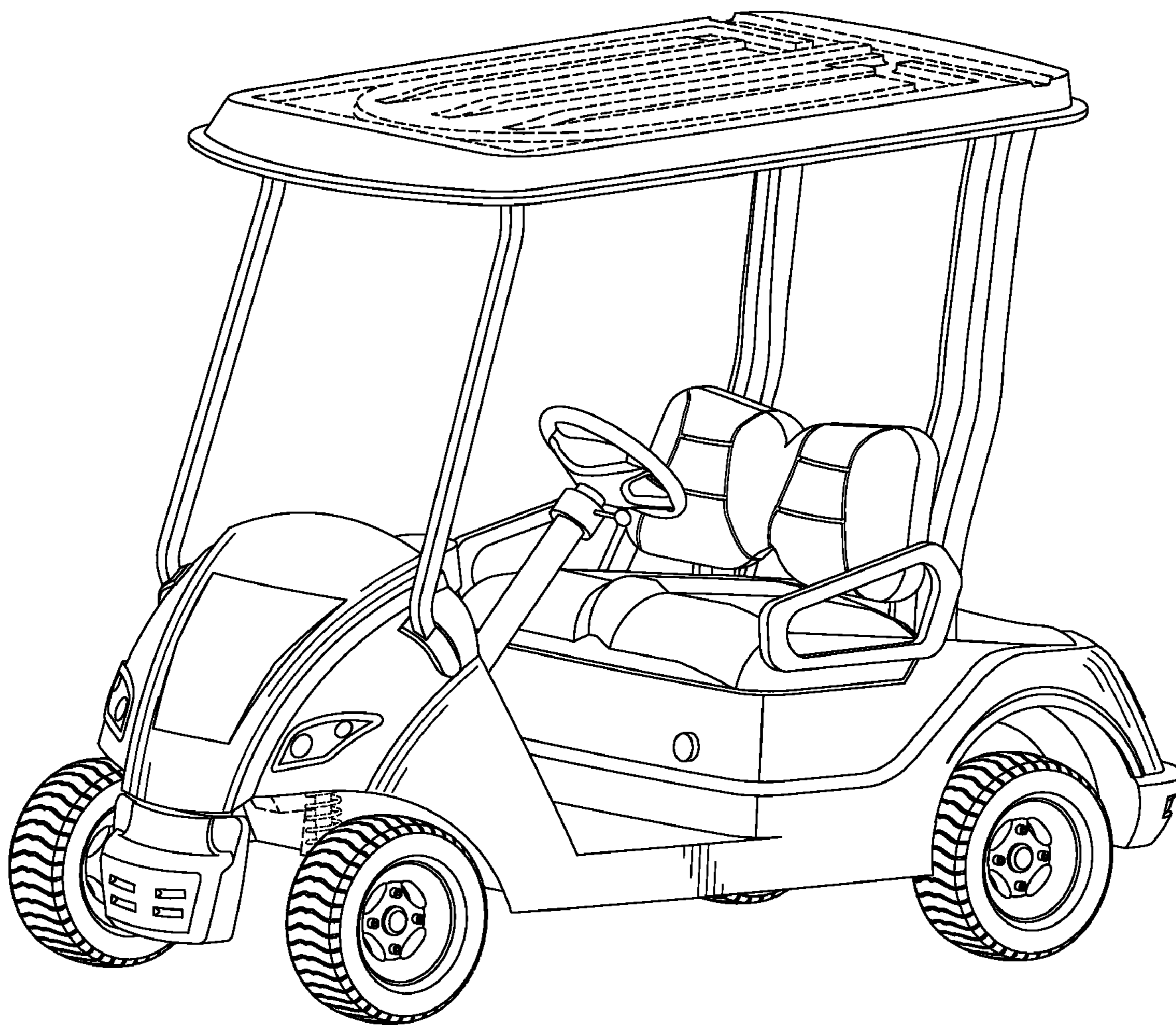


FIG. 1

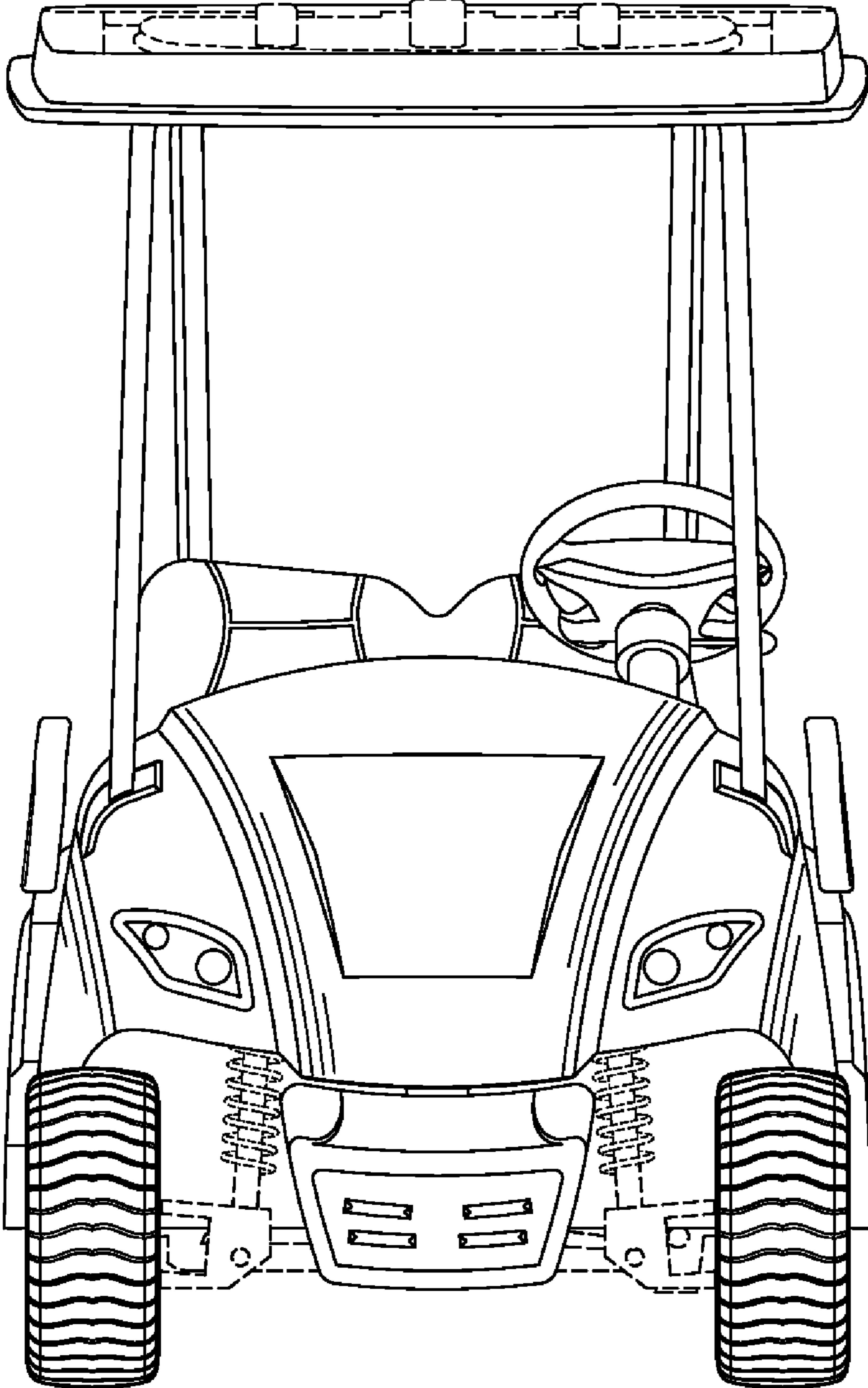


FIG. 2

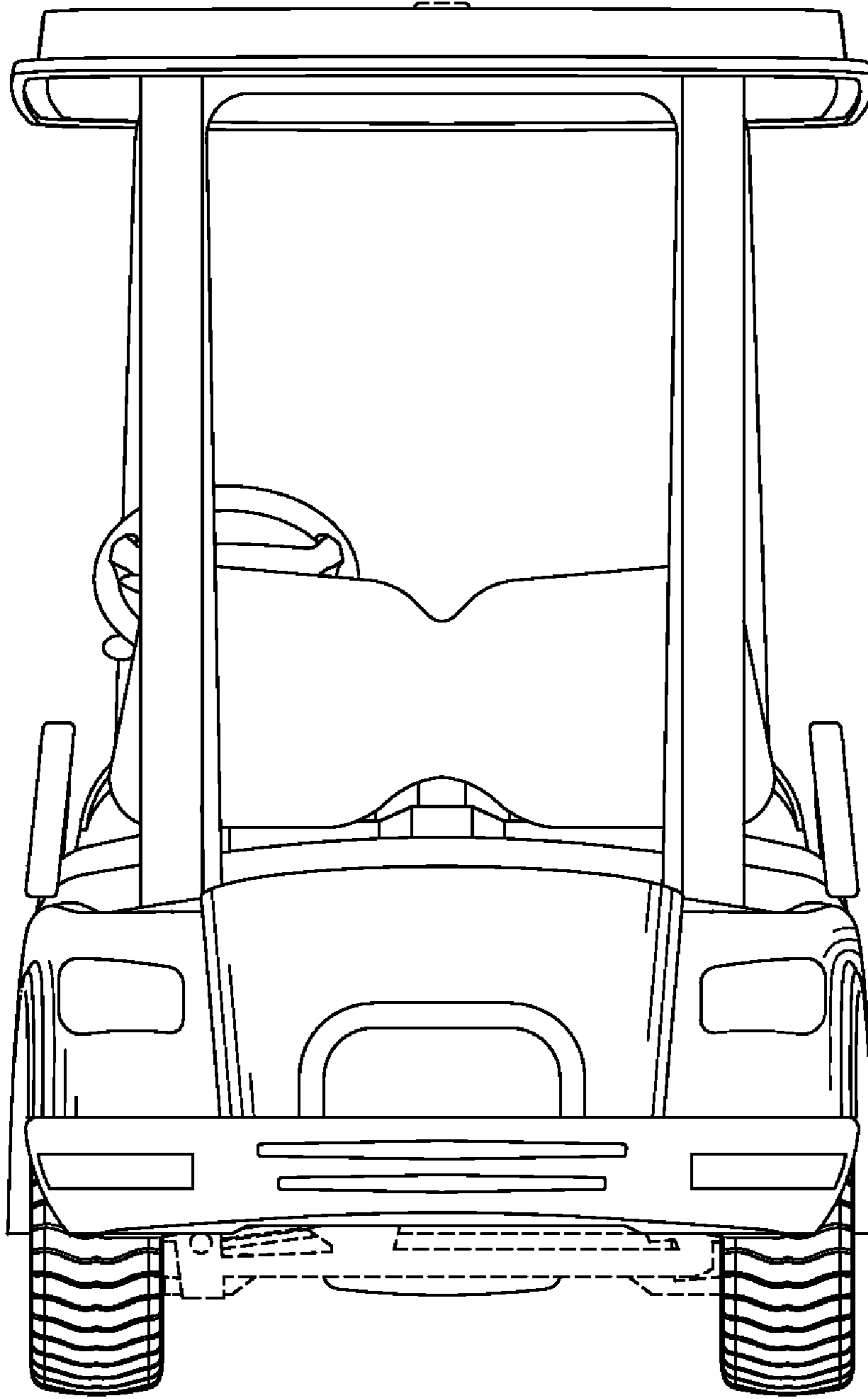


FIG. 3

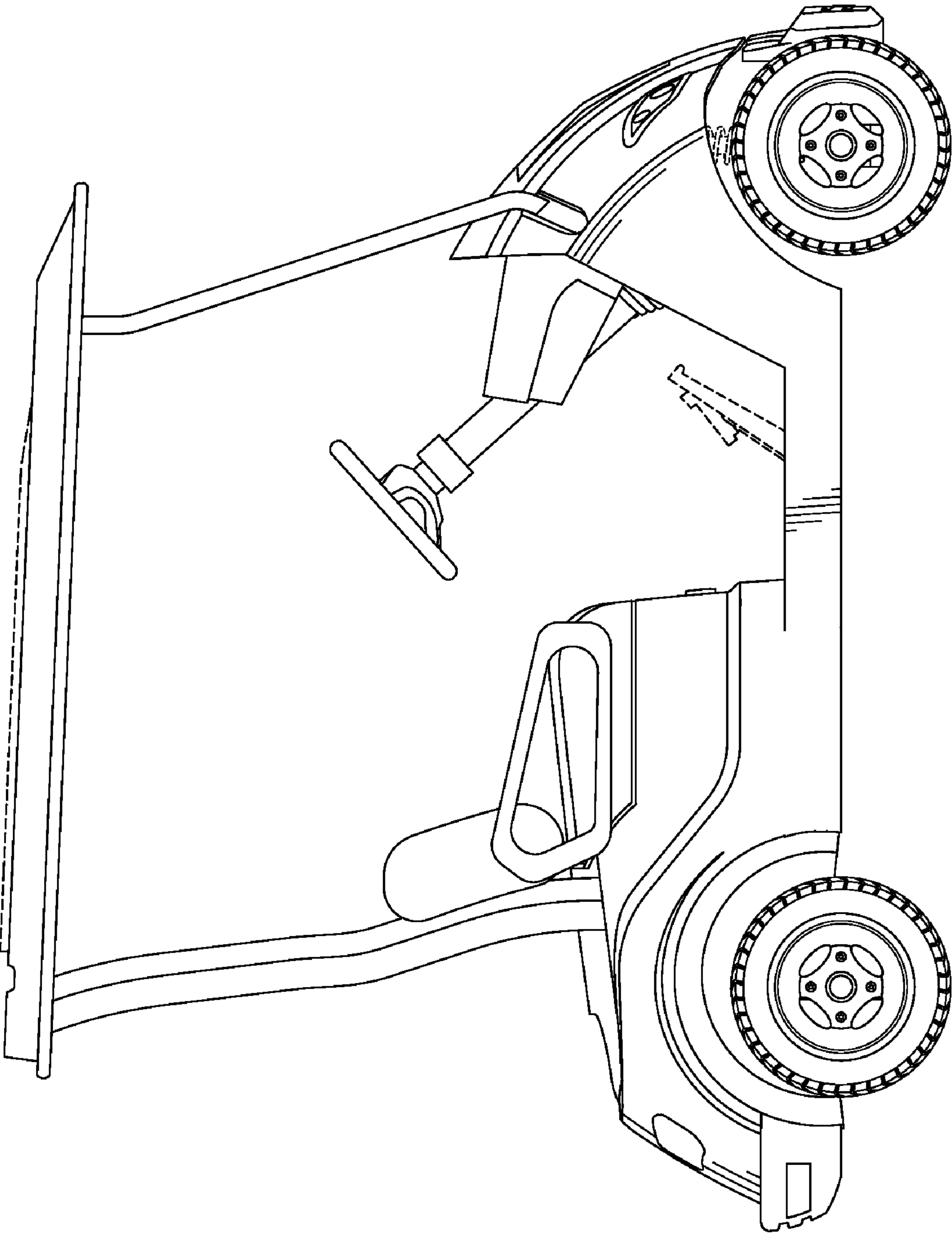


FIG. 4

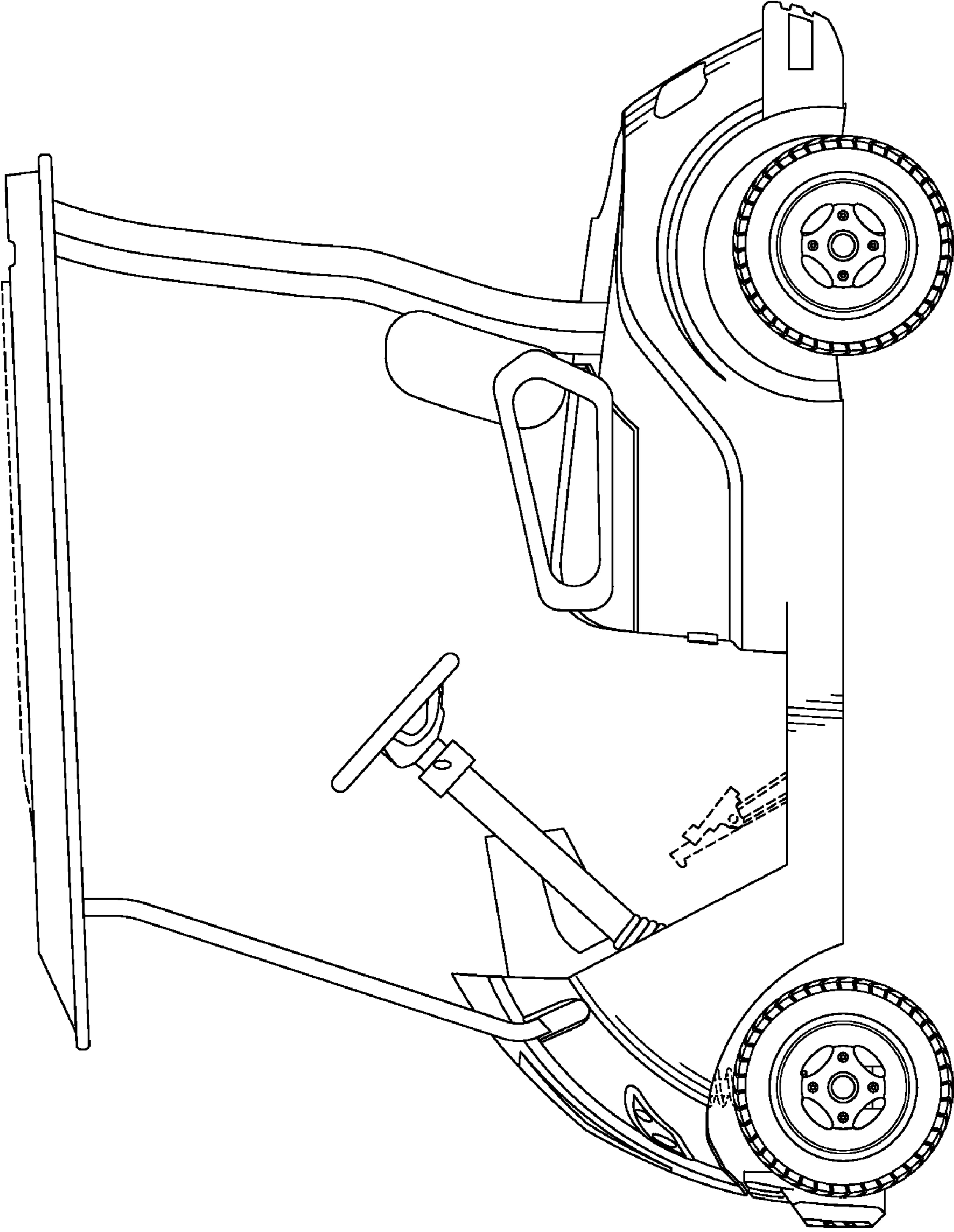


FIG. 5

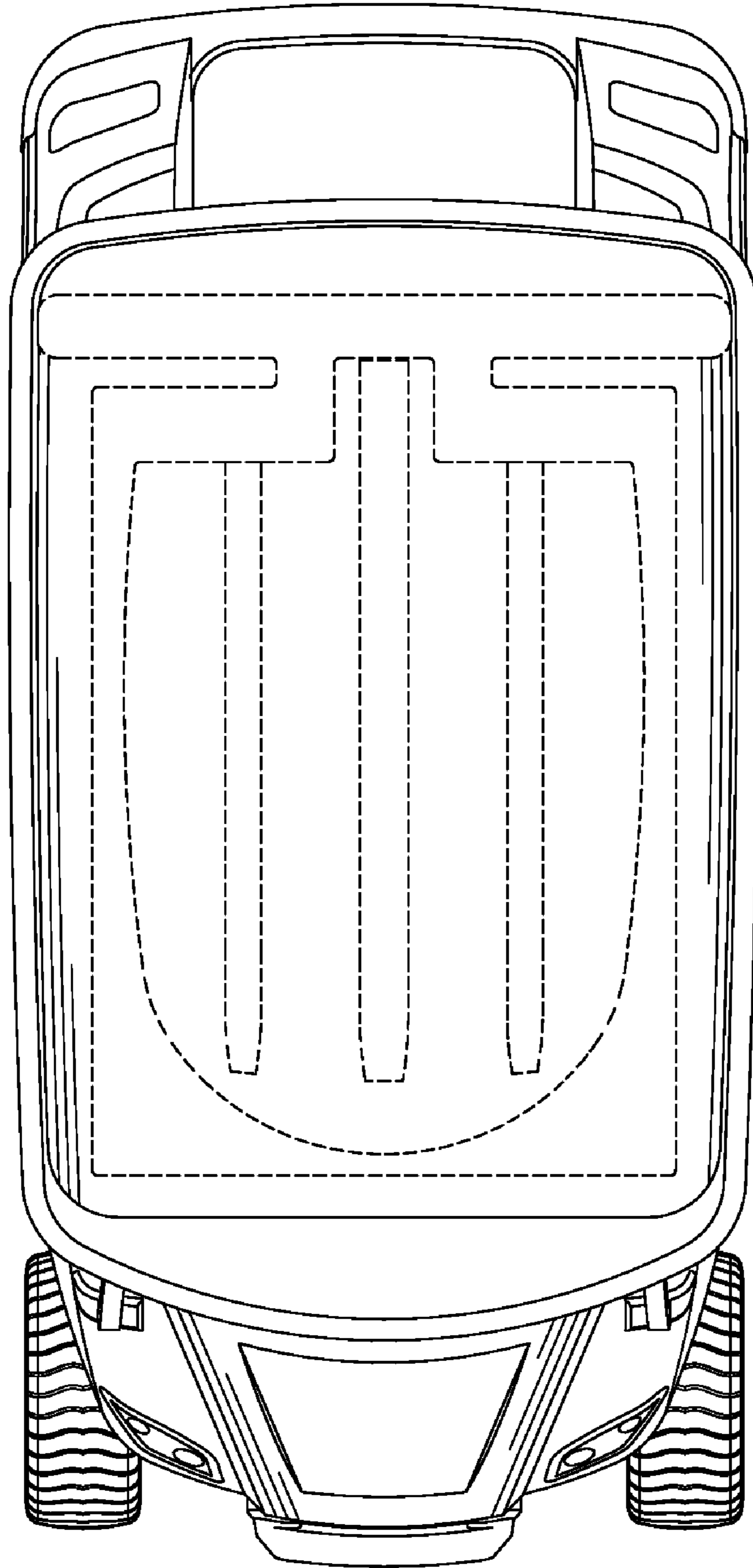


FIG. 6