



US00D618127S

(12) **United States Design Patent**
Galli

(10) **Patent No.:** **US D618,127 S**
(45) **Date of Patent:** **** Jun. 22, 2010**

(54) **PORTION OF A STRAP**

(75) Inventor: **Giorgio Galli**, Milan (IT)

(73) Assignee: **Timex Group B.V.**, Amsterdam (NL)

(**) Term: **14 Years**

(21) Appl. No.: **29/333,387**

(22) Filed: **Mar. 9, 2009**

(51) **LOC (9) Cl.** **11-01**

(52) **U.S. Cl.** **D11/3**

(58) **Field of Classification Search** D11/1-25;
D10/30-32, 38-39; 224/164-179; 63/1.11,
63/3, 3.1, 3.2, 5.1, 5.2, 7, 8, 9, 10, 11
See application file for complete search history.

(56) **References Cited**

U.S. PATENT DOCUMENTS

D256,568 S *	8/1980	Young	D11/25
D323,472 S *	1/1992	Bende	D11/95
D339,309 S *	9/1993	Butler	D11/19
D340,664 S *	10/1993	Butler	D11/19
D350,911 S *	9/1994	Bert	D11/19
D361,877 S *	9/1995	Ruiz	D2/627
D402,910 S *	12/1998	Jorst	D11/3

D439,861 S * 4/2001 Dumas D11/3

* cited by examiner

Primary Examiner—Cathron C Brooks

Assistant Examiner—Melanie Levy

(74) *Attorney, Agent, or Firm*—Carmody & Torrance LLP

(57) **CLAIM**

The ornamental design for a portion of a strap, as shown and described.

DESCRIPTION

FIG. 1 is a perspective view of a portion of a strap showing my new design;

FIG. 2 is a top plan view thereof;

FIG. 3 is a bottom plan view thereof;

FIG. 4 is a first end elevational view thereof;

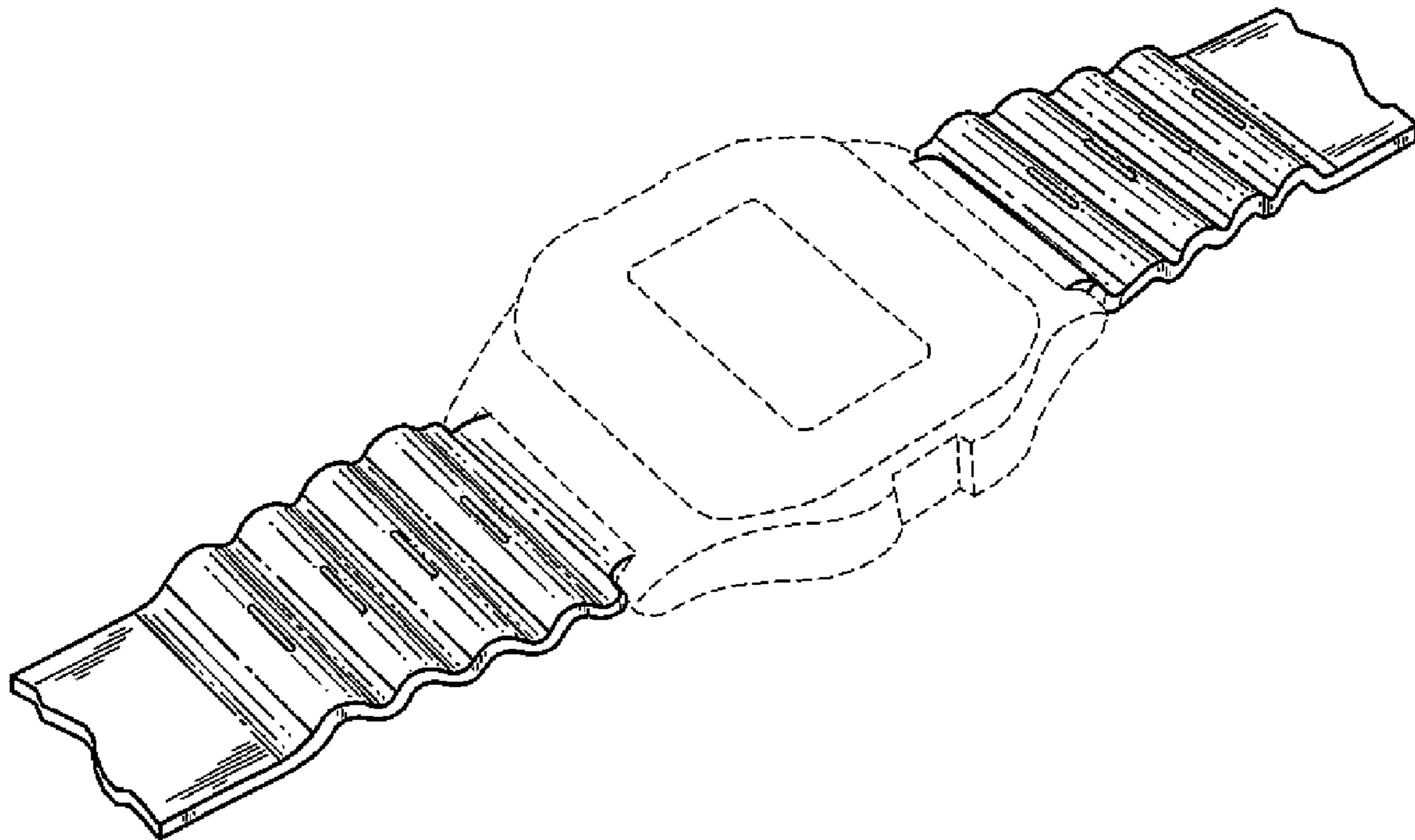
FIG. 5 is a second end elevational view thereof;

FIG. 6 is a left side elevational view thereof; and,

FIG. 7 is a right side elevational view thereof.

The broken lines shown in the drawings represent environmental matter and unclaimed portions of the design and form no part thereof.

1 Claim, 2 Drawing Sheets



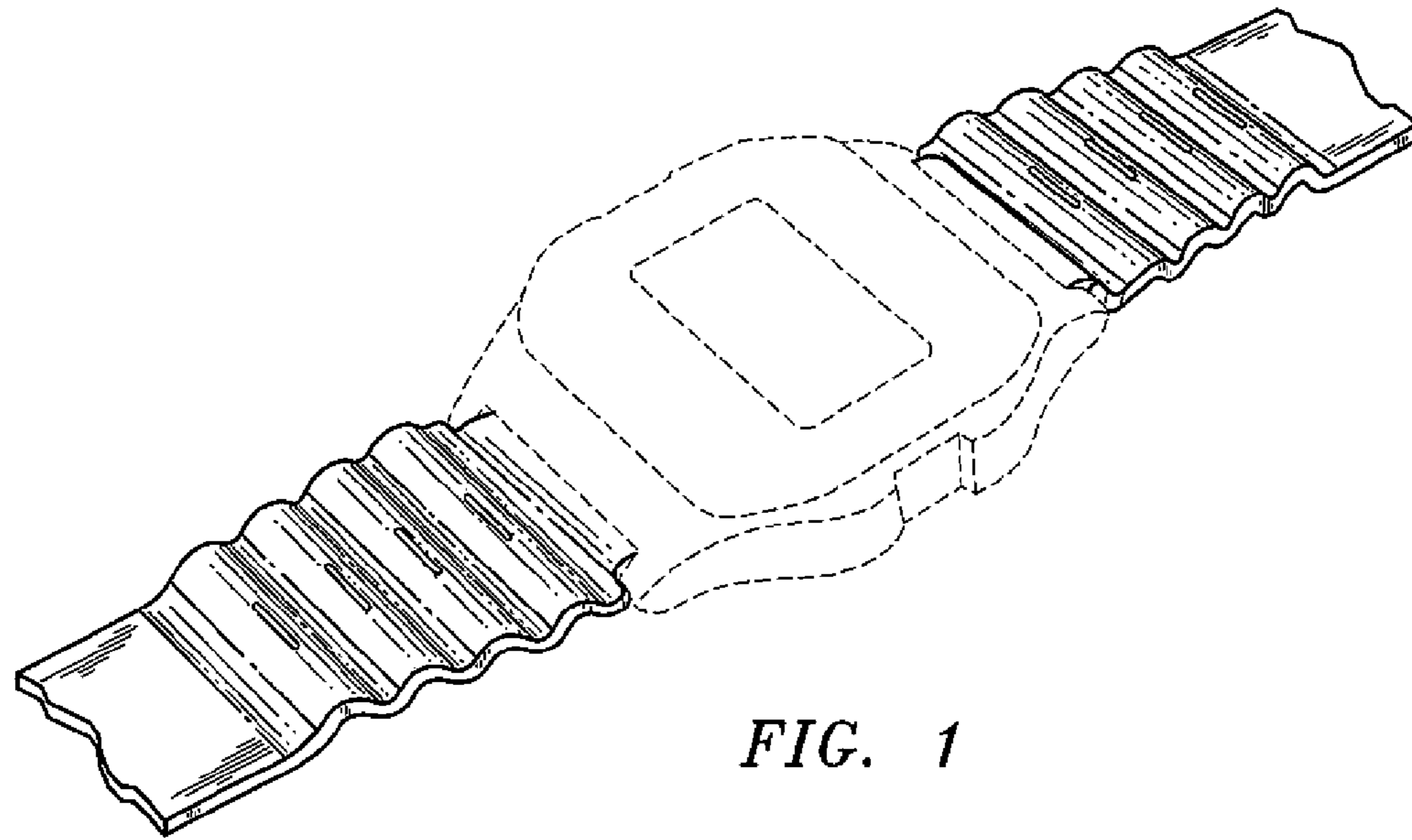


FIG. 1

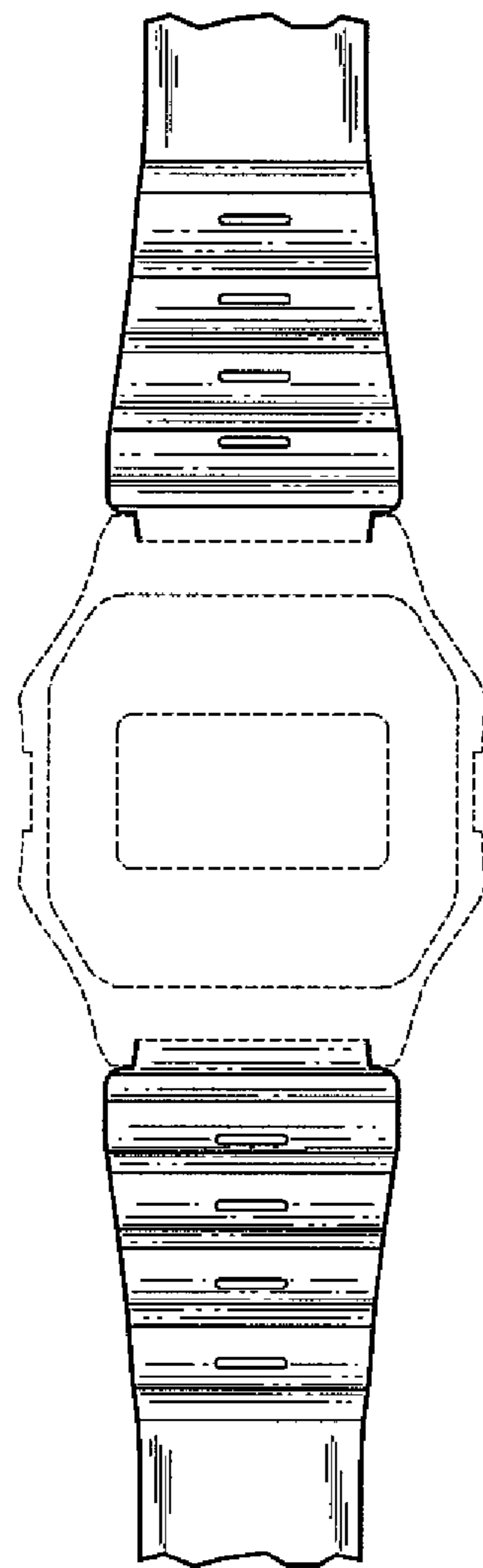


FIG. 2

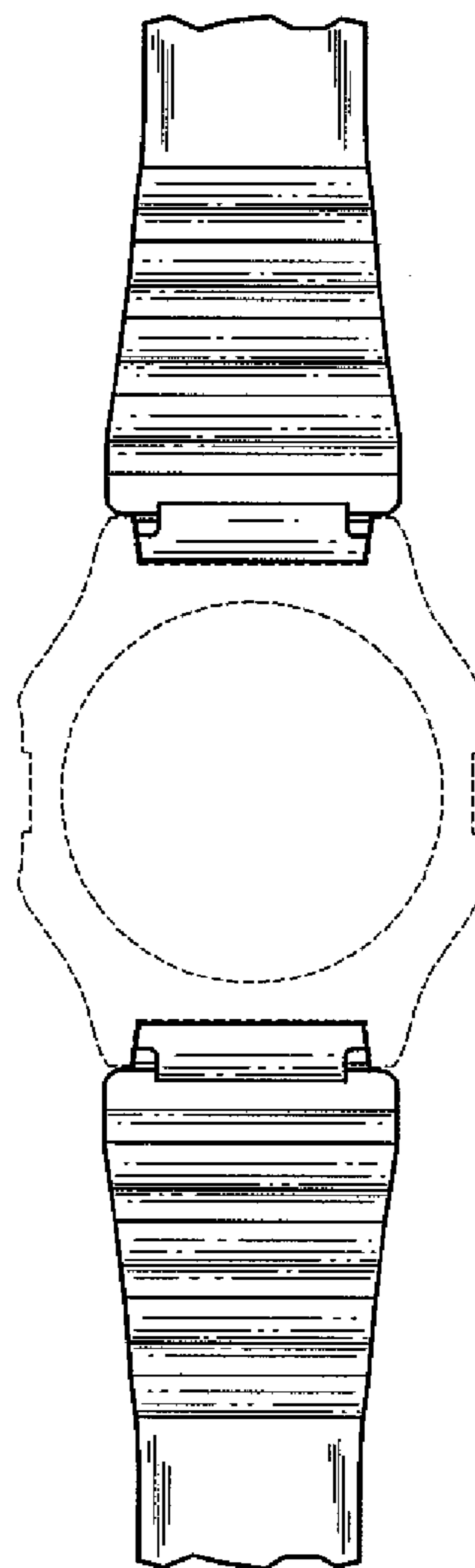


FIG. 3

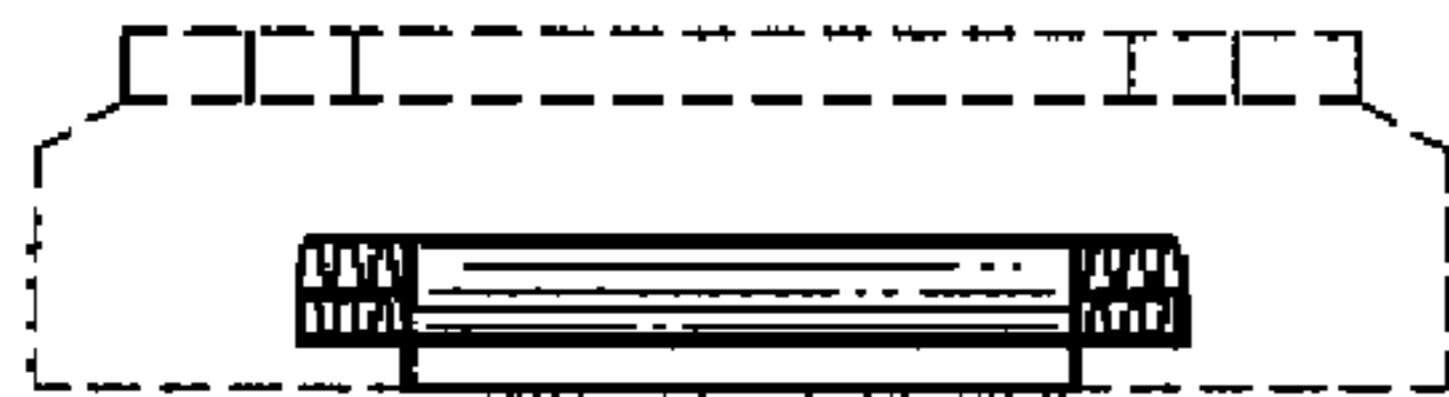


FIG. 4

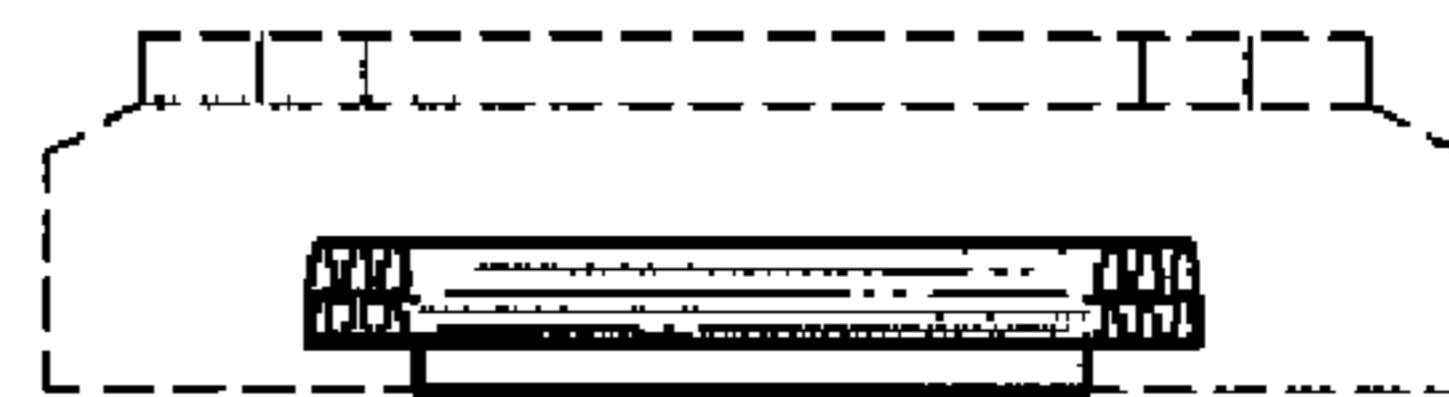


FIG. 5

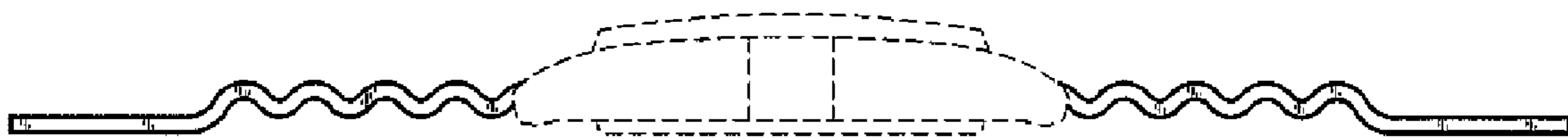


FIG. 6

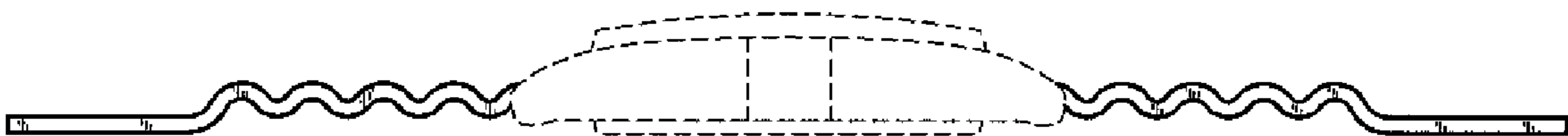


FIG. 7