



US00D618125S

(12) **United States Design Patent**
Luscombe et al.

(10) **Patent No.:** **US D618,125 S**
(45) **Date of Patent:** **** Jun. 22, 2010**

(54) **LIGHTING UNIT**

(75) Inventors: **Nicholas Charles Luscombe**, Saffron Walden (GB); **Jamie Paul Pettit**, Saffron Walden (GB)

(73) Assignee: **Labcraft Limited**, Saffron Walden (GB)

(**) Term: **14 Years**

(21) Appl. No.: **29/351,785**

(22) Filed: **Dec. 11, 2009**

(51) **LOC (9) Cl.** **10-05**

(52) **U.S. Cl.** **D10/113**

(58) **Field of Classification Search** D10/109,
D10/111, 113; 404/9, 11, 12-15, 72; 340/908,
340/908.1; 116/63 R

See application file for complete search history.

(56) **References Cited**

U.S. PATENT DOCUMENTS

D490,335 S * 5/2004 Attar D10/113
D520,394 S * 5/2006 Li et al. D10/113
D578,919 S * 10/2008 Liao et al. D10/113

FOREIGN PATENT DOCUMENTS

EM 001055628-0001 1/2009

EM 001055628-0002 1/2009
EM 001055628-0003 1/2009
EM 001055628-0004 1/2009

* cited by examiner

Primary Examiner—Marcus A Jackson
(74) *Attorney, Agent, or Firm*—Myers Wolin, LLC

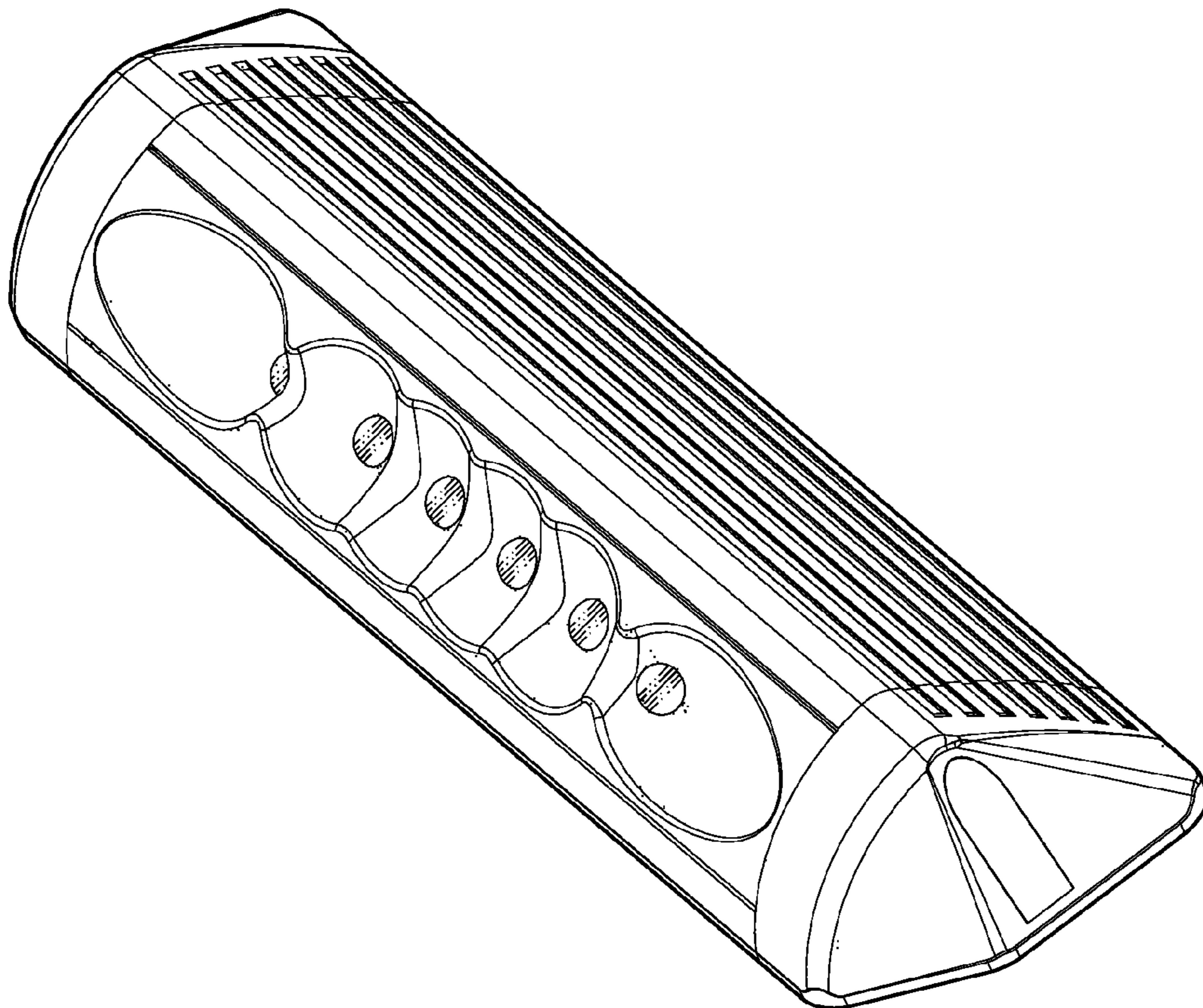
(57) **CLAIM**

The ornamental design for a lighting unit, as shown and described.

DESCRIPTION

FIG. 1 is a front isometric view thereof;
FIG. 2 is a top view thereof;
FIG. 3 is a front view thereof;
FIG. 4 is a rear view thereof;
FIG. 5 is a right side elevation view thereof, the left side elevation being the same;
FIG. 6 is a bottom view thereof; and,
FIG. 7 is a rear isometric view thereof.

1 Claim, 3 Drawing Sheets



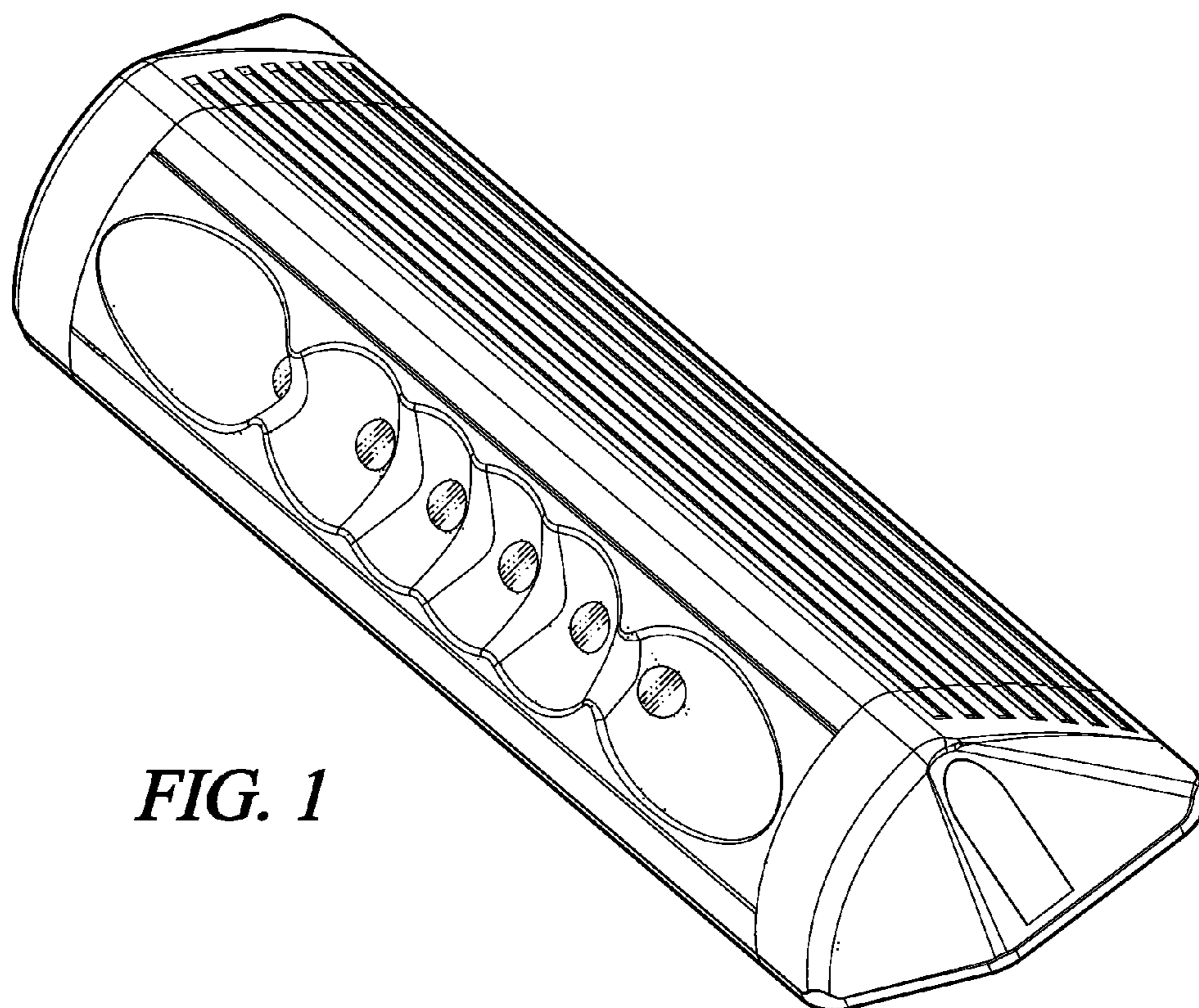


FIG. 1

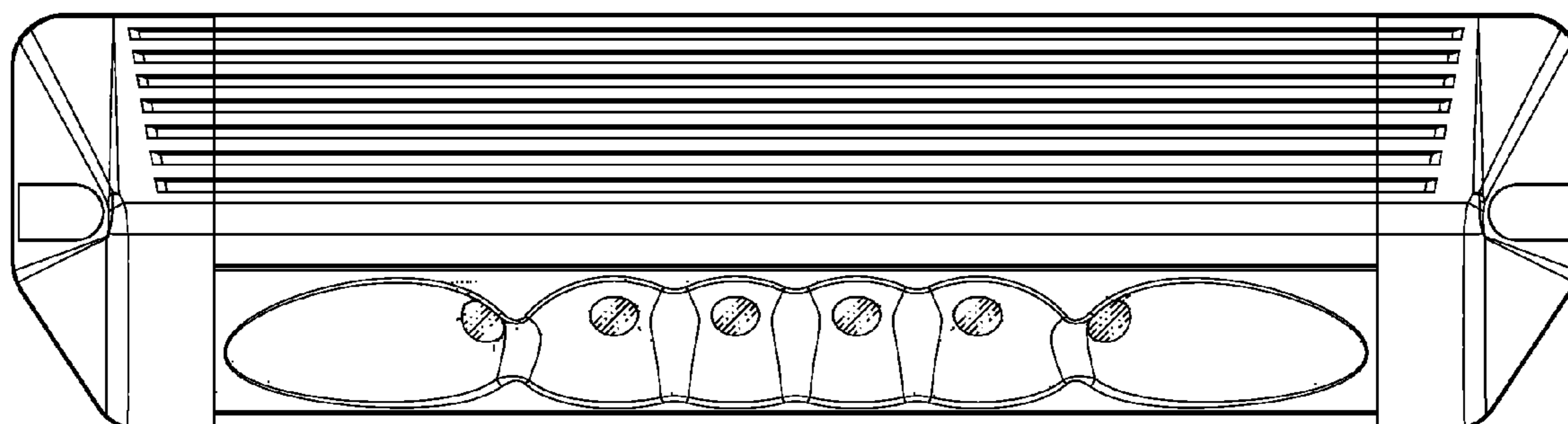


FIG. 2

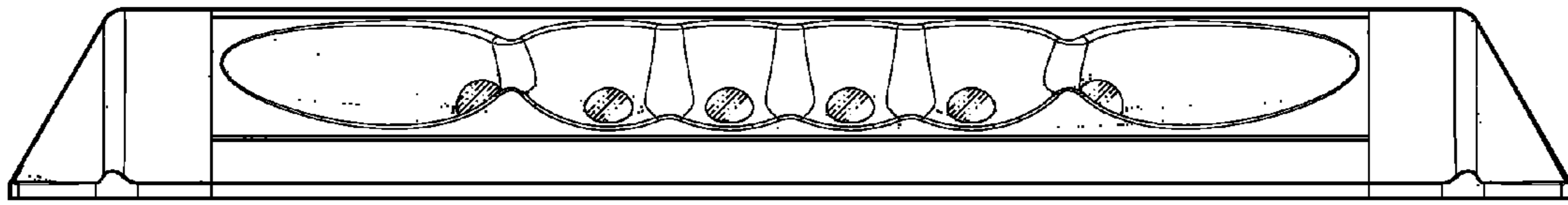


FIG. 3

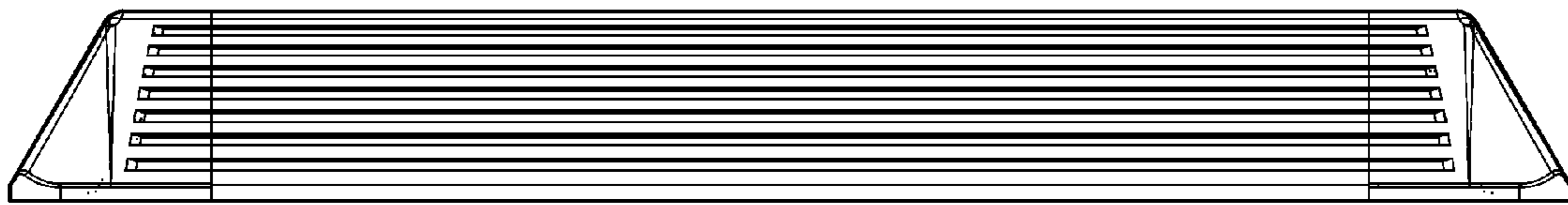


FIG. 4

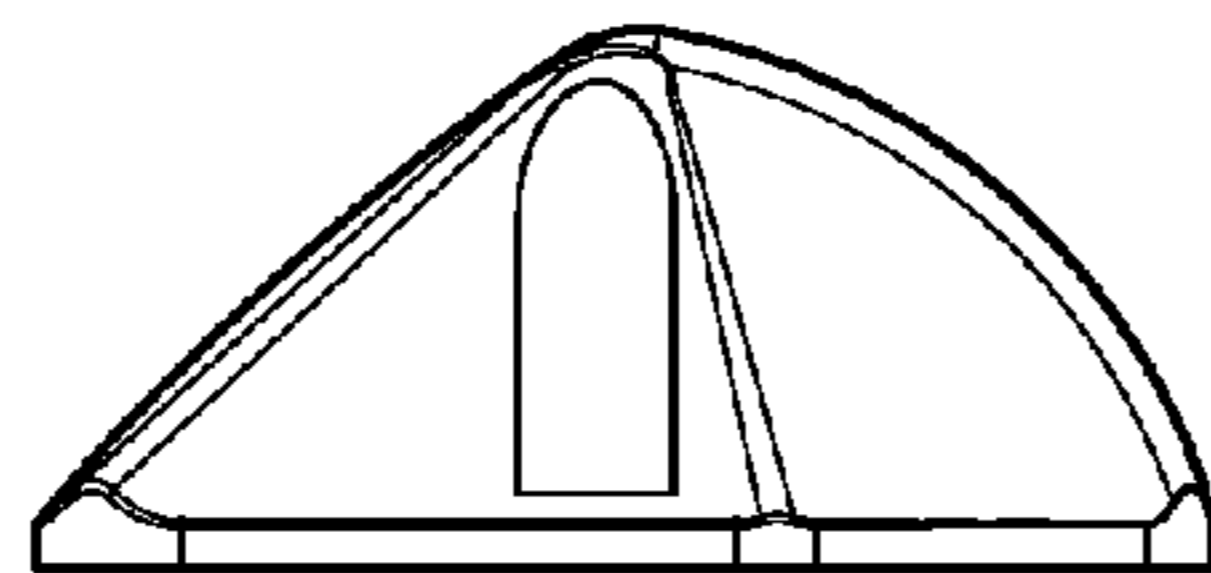


FIG. 5

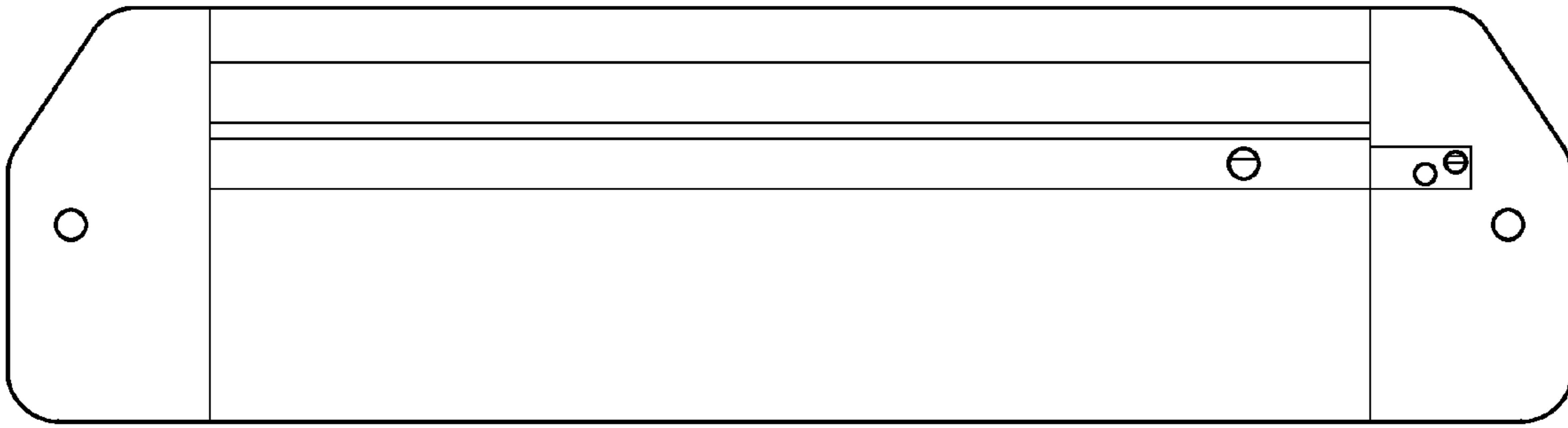


FIG. 6

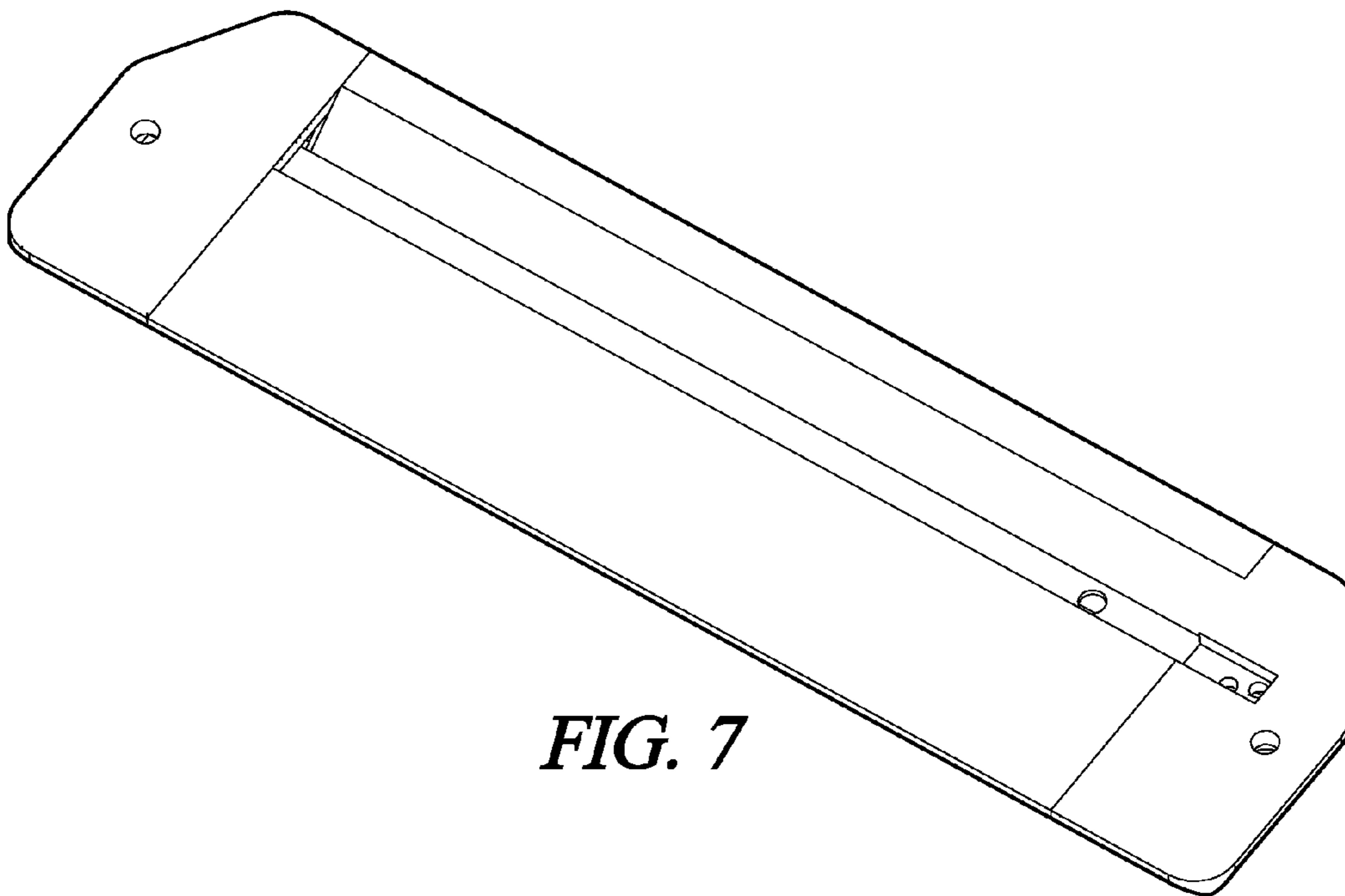


FIG. 7