



US00D618123S

(12) **United States Design Patent**
Luscombe et al.

(10) **Patent No.:** **US D618,123 S**
(45) **Date of Patent:** **** Jun. 22, 2010**

(54) **LIGHTING UNIT**

FOREIGN PATENT DOCUMENTS

(75) Inventors: **Nicholas Charles Luscombe**, Saffron Walden (GB); **Jamie Paul Pettit**, Saffron Walden (GB)

EM	001055628-0001	1/2009
EM	001055628-0002	1/2009
EM	001055628-0003	1/2009
EM	001055628-0004	1/2009

(73) Assignee: **Labcraft Limited**, Saffron Walden (GB)

* cited by examiner

(**) Term: **14 Years**

Primary Examiner—Marcus A Jackson

(21) Appl. No.: **29/351,779**

(74) *Attorney, Agent, or Firm*—Myers Wolin, LLC

(22) Filed: **Dec. 11, 2009**

(57) **CLAIM**

(51) **LOC (9) Cl.** **10-05**

The ornamental design for a lighting unit, as shown and described.

(52) **U.S. Cl.** **D10/113**

(58) **Field of Classification Search** D10/109,
D10/111, 113; 404/9, 12–15, 16, 72; 340/908,
340/908.1

DESCRIPTION

See application file for complete search history.

FIG. 1 is a front isometric view thereof;

FIG. 2 is a front view thereof;

FIG. 3 is a top view thereof, the bottom view being the same;

FIG. 4 is a left side elevation view thereof, the right side elevation being the same;

FIG. 5 is a rear view thereof; and,

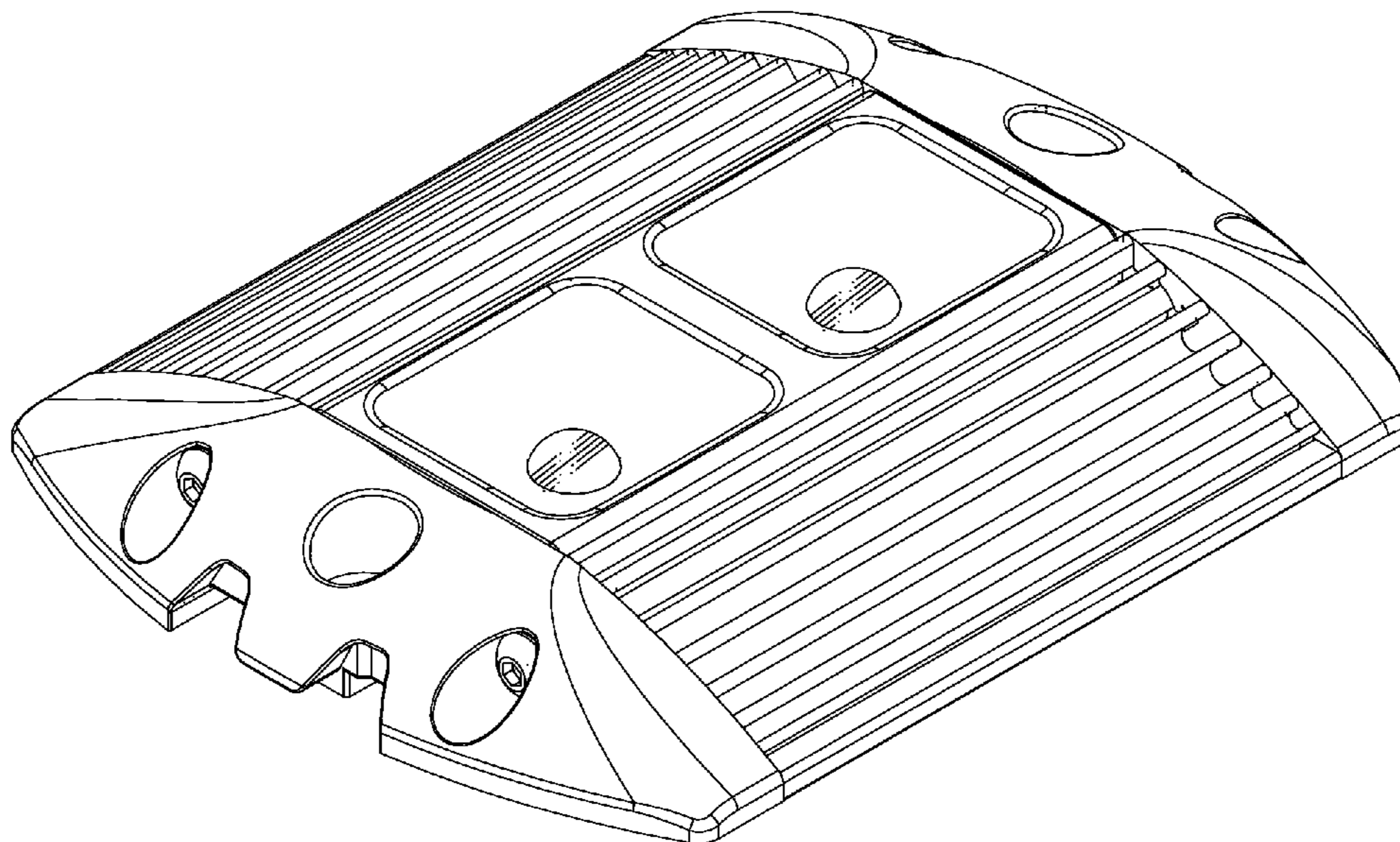
FIG. 6 is a rear isometric view thereof.

(56) **References Cited**

U.S. PATENT DOCUMENTS

D470,787 S *	2/2003	Kim	D10/113
D490,335 S *	5/2004	Attar	D10/113
D520,394 S *	5/2006	Li et al.	D10/113
D565,447 S *	4/2008	Hornig	D10/113
D569,755 S *	5/2008	Humble et al.	D10/114

1 Claim, 3 Drawing Sheets



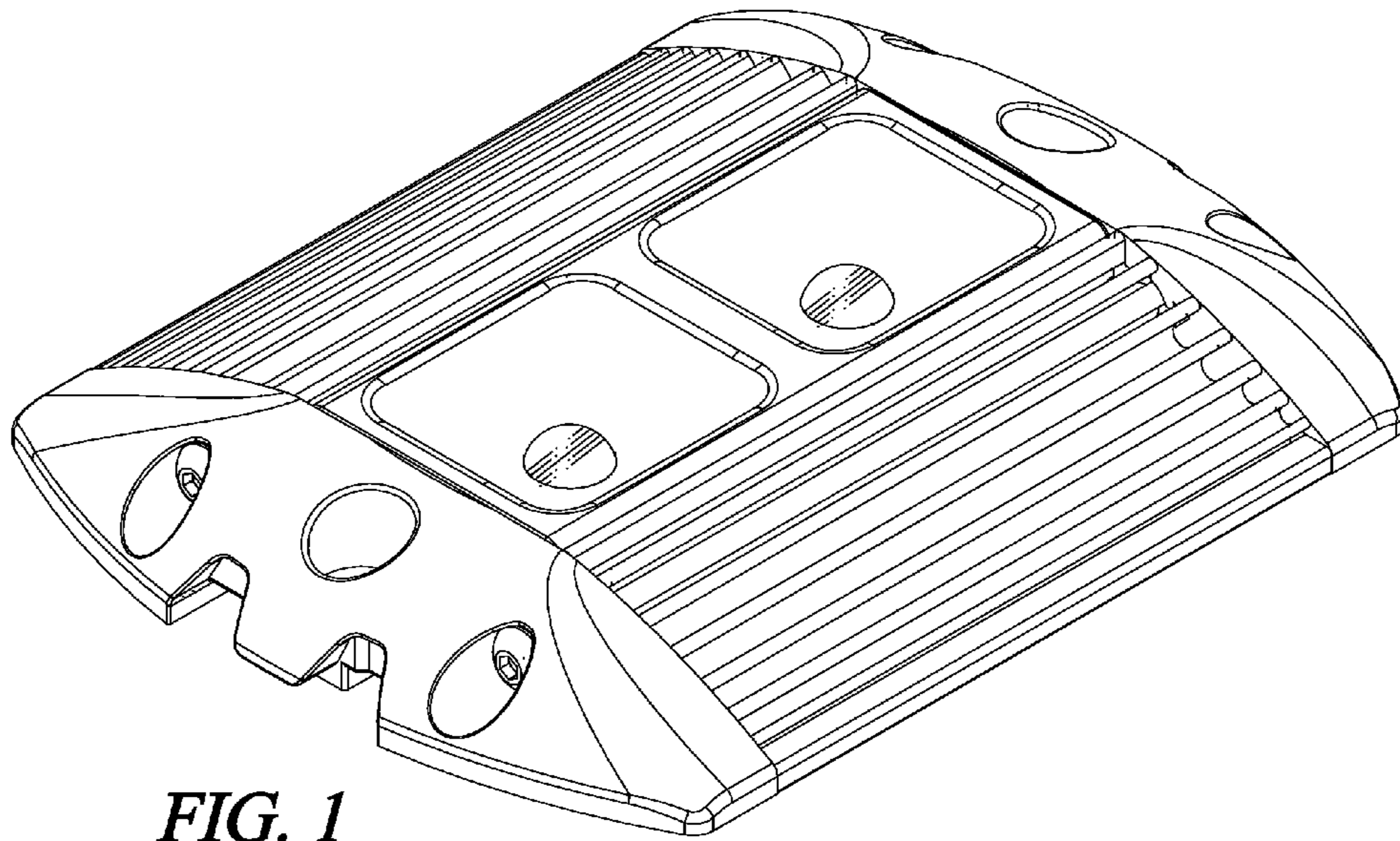


FIG. 1

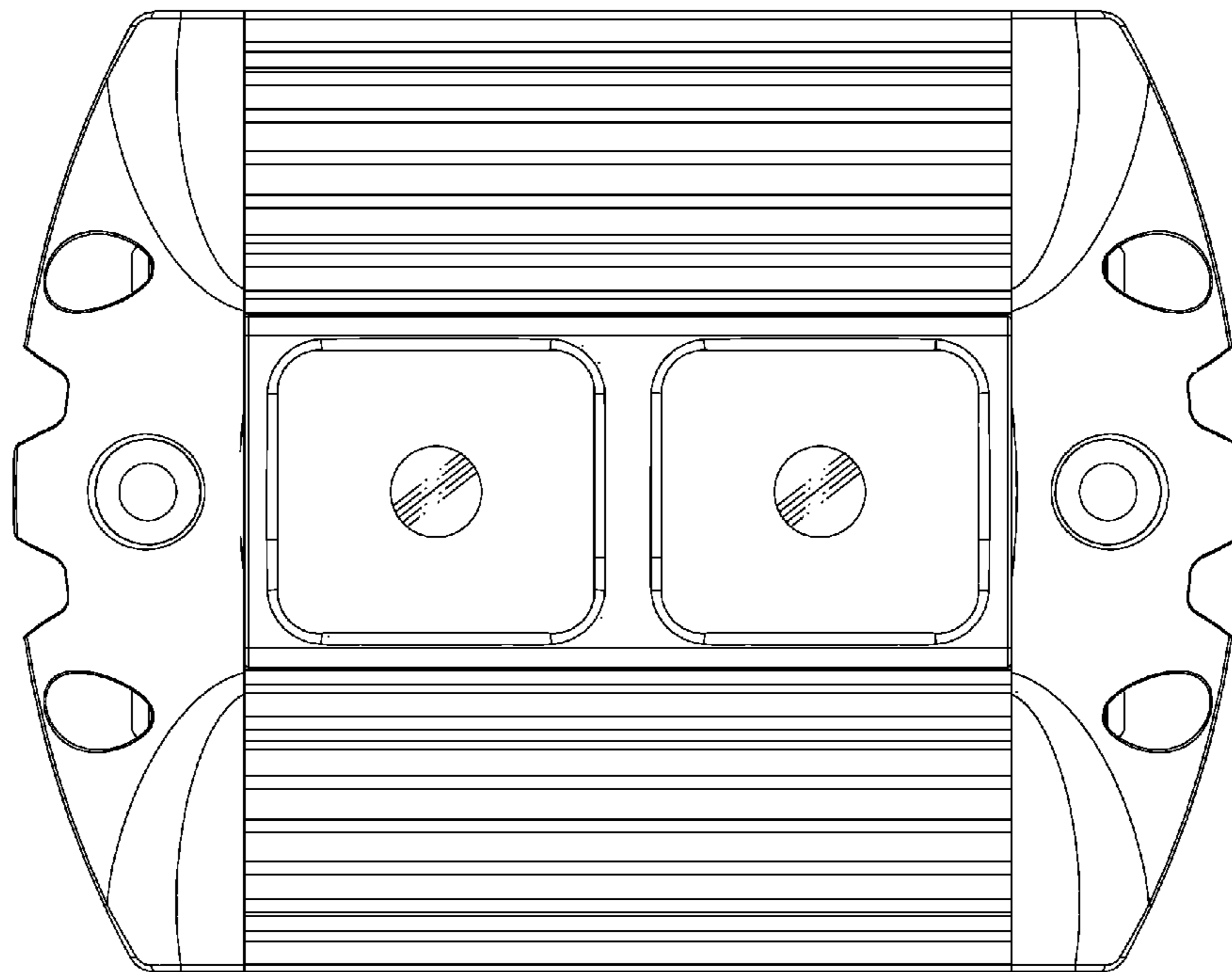


FIG. 2

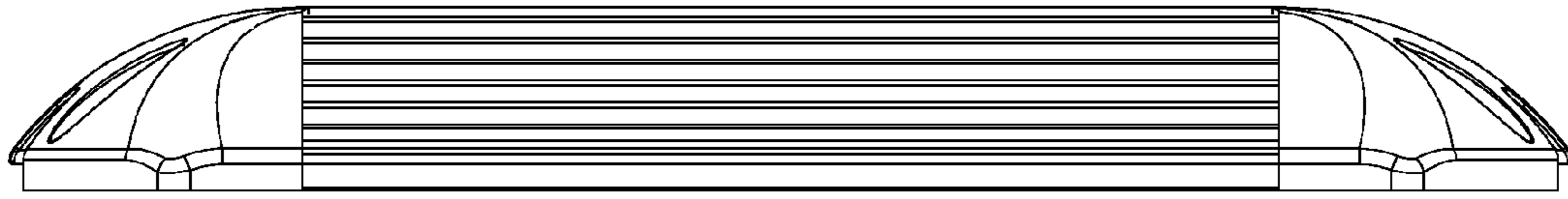


FIG. 3

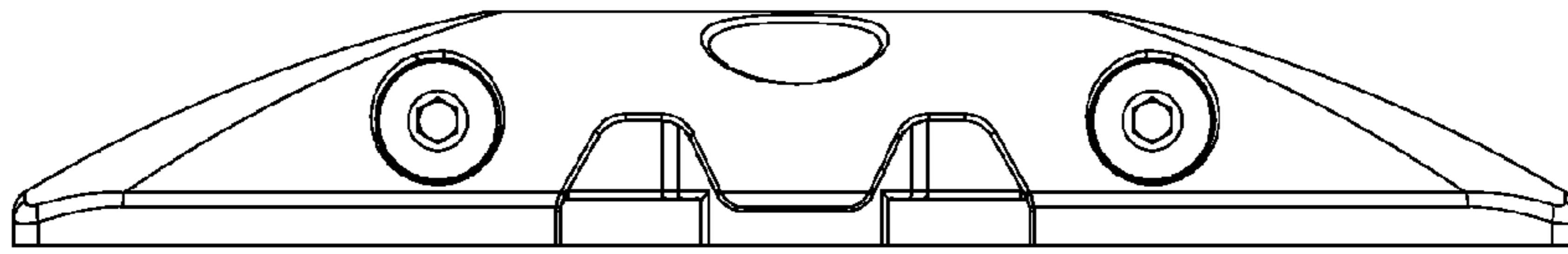


FIG. 4

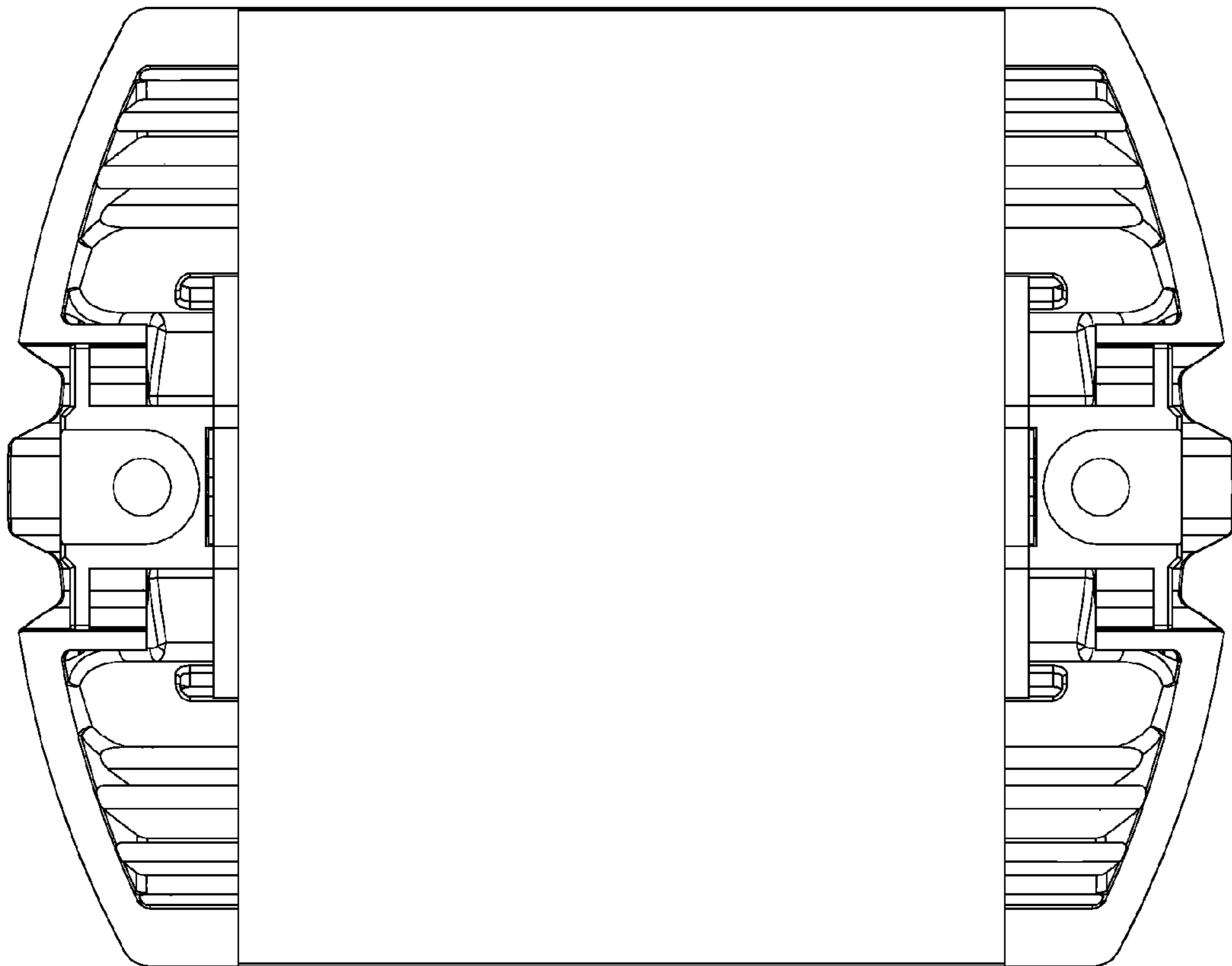


FIG. 5

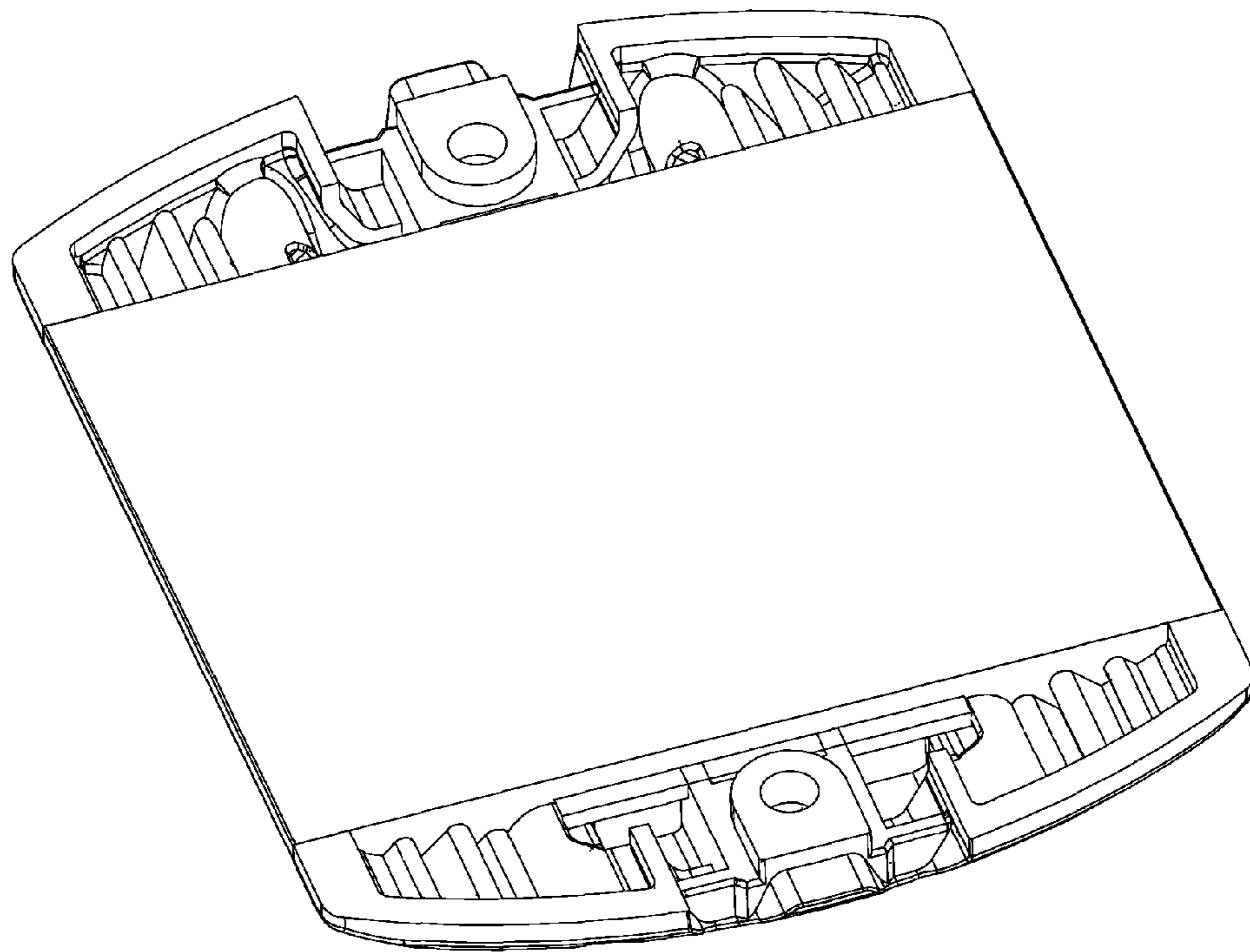


FIG. 6