



US00D618122S

(12) **United States Design Patent**
Lódi

(10) **Patent No.:** **US D618,122 S**
(45) **Date of Patent:** **** Jun. 22, 2010**

(54) **ANTI-THEFT DEVICE**

(75) Inventor: **Tamás Lódi**, Tiszaszolos (HU)

(73) Assignee: **Exaqtworld**, Nogent sur Marne

(**) Term: **14 Years**

(21) Appl. No.: **29/350,420**

(22) Filed: **Nov. 17, 2009**

(30) **Foreign Application Priority Data**

May 17, 2009 (EM) 001515933-0005

(51) **LOC (9) Cl.** **10-05**

(52) **U.S. Cl.** **D10/106**

(58) **Field of Classification Search** D10/104,
D10/106; D14/251, 203.6, 480.1; 70/57,
70/57.1, 58, 59; D8/356, 354

See application file for complete search history.

(56) **References Cited**

U.S. PATENT DOCUMENTS

D406,523 S * 3/1999 Manthei D8/354

D466,426 S * 12/2002 Proulx et al. D10/104

* cited by examiner

Primary Examiner—Caron Veynar
Assistant Examiner—George D Kirschbaum
(74) *Attorney, Agent, or Firm*—WRB-IP LLP

(57) **CLAIM**

The ornamental design for an anti-theft device, as shown and described.

DESCRIPTION

FIG. 1 is a top perspective view of an anti-theft device according to an embodiment of the present invention;

FIG. 2 is a bottom perspective top view of the anti-theft device of FIG. 1;

FIG. 3 is a front view of the anti-theft device of FIG. 1;

FIG. 4 is a rear view of the anti-theft device of FIG. 1;

FIG. 5 is a top view of the anti-theft device of FIG. 1;

FIG. 6 is a bottom view of the anti-theft device of FIG. 1; and,

FIG. 7 is a side view of the anti-theft device of FIG. 1.

Broken lines in the drawings depict unclaimed environmental subject matter.

1 Claim, 4 Drawing Sheets

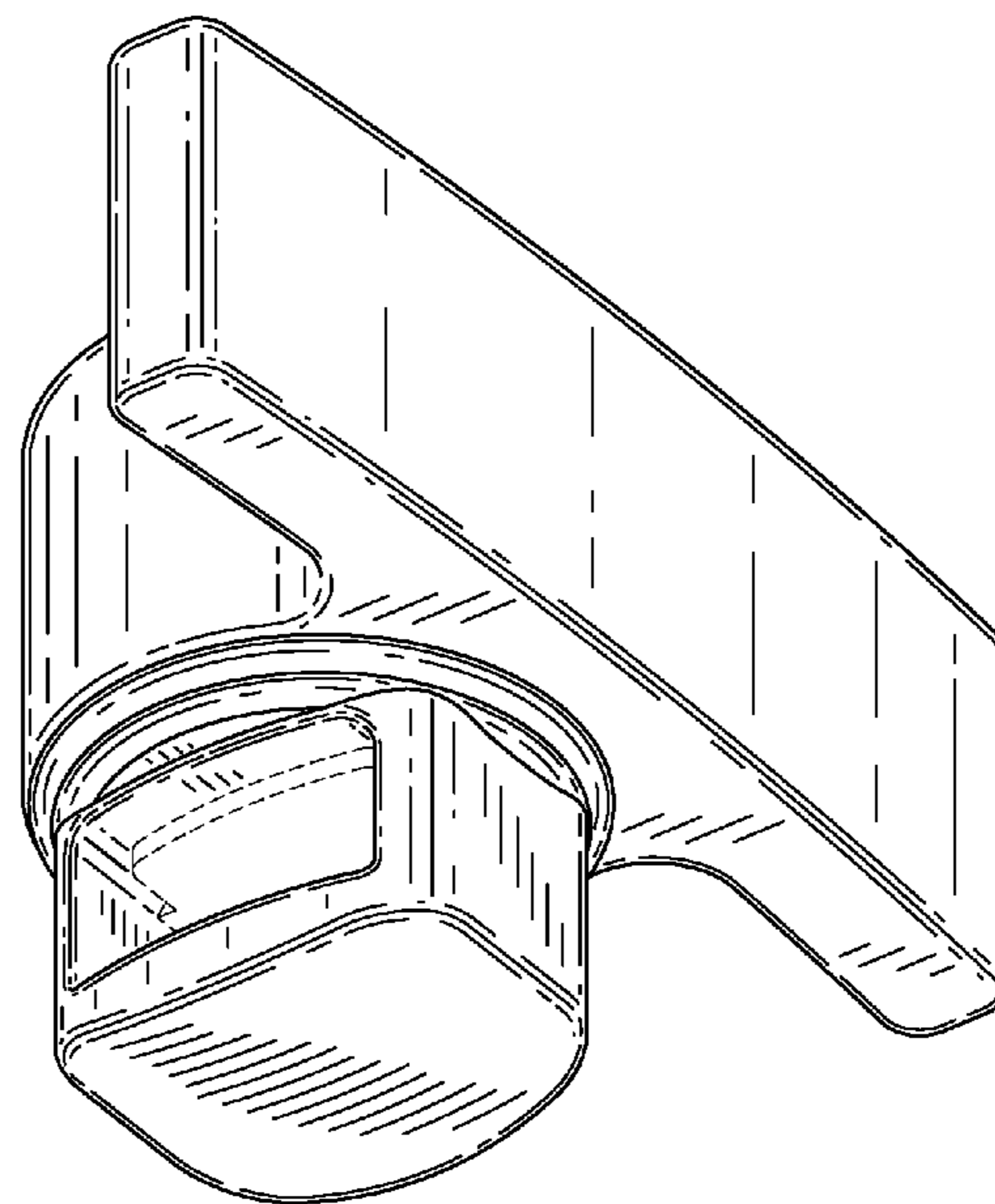
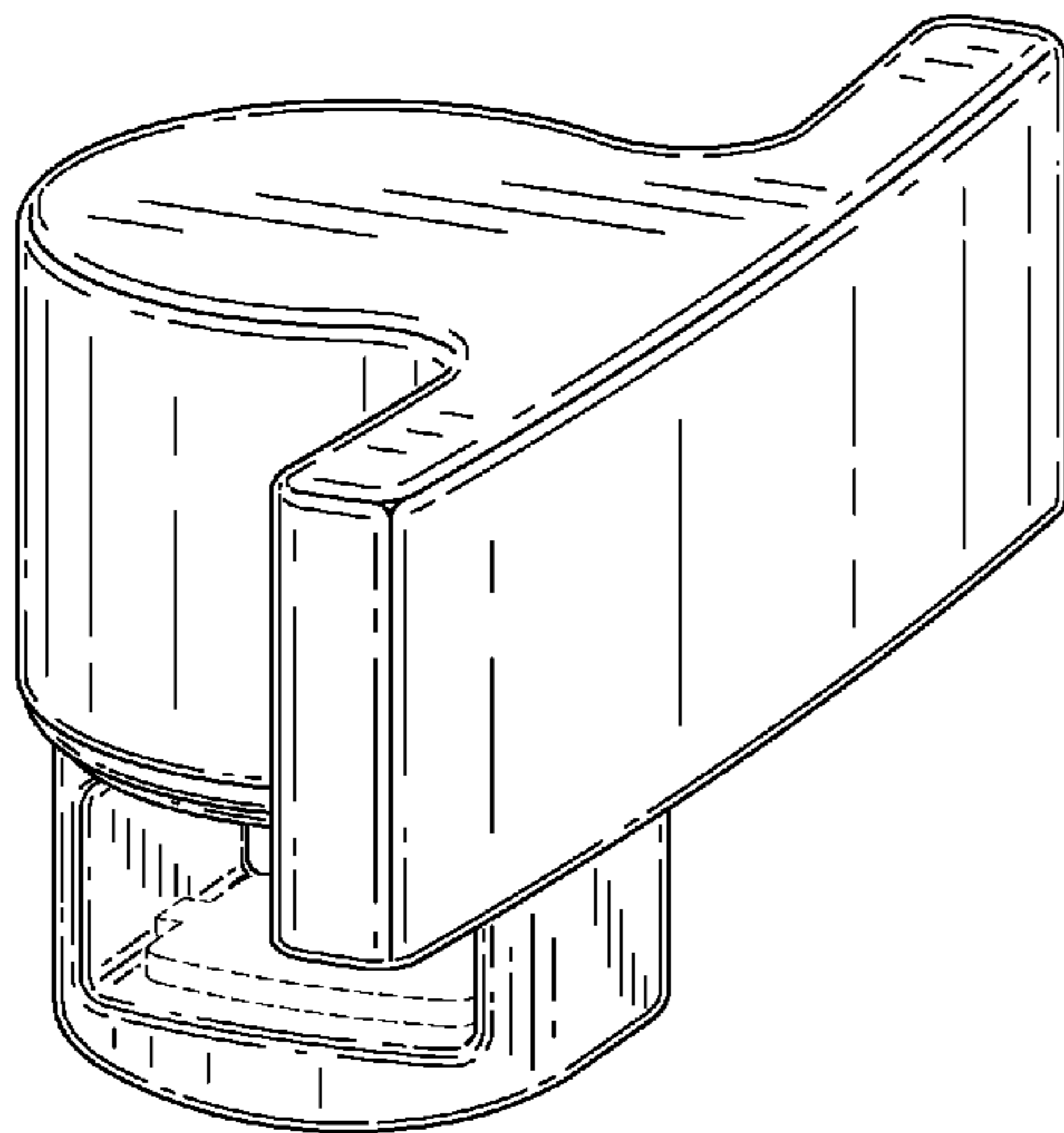


FIG. 1

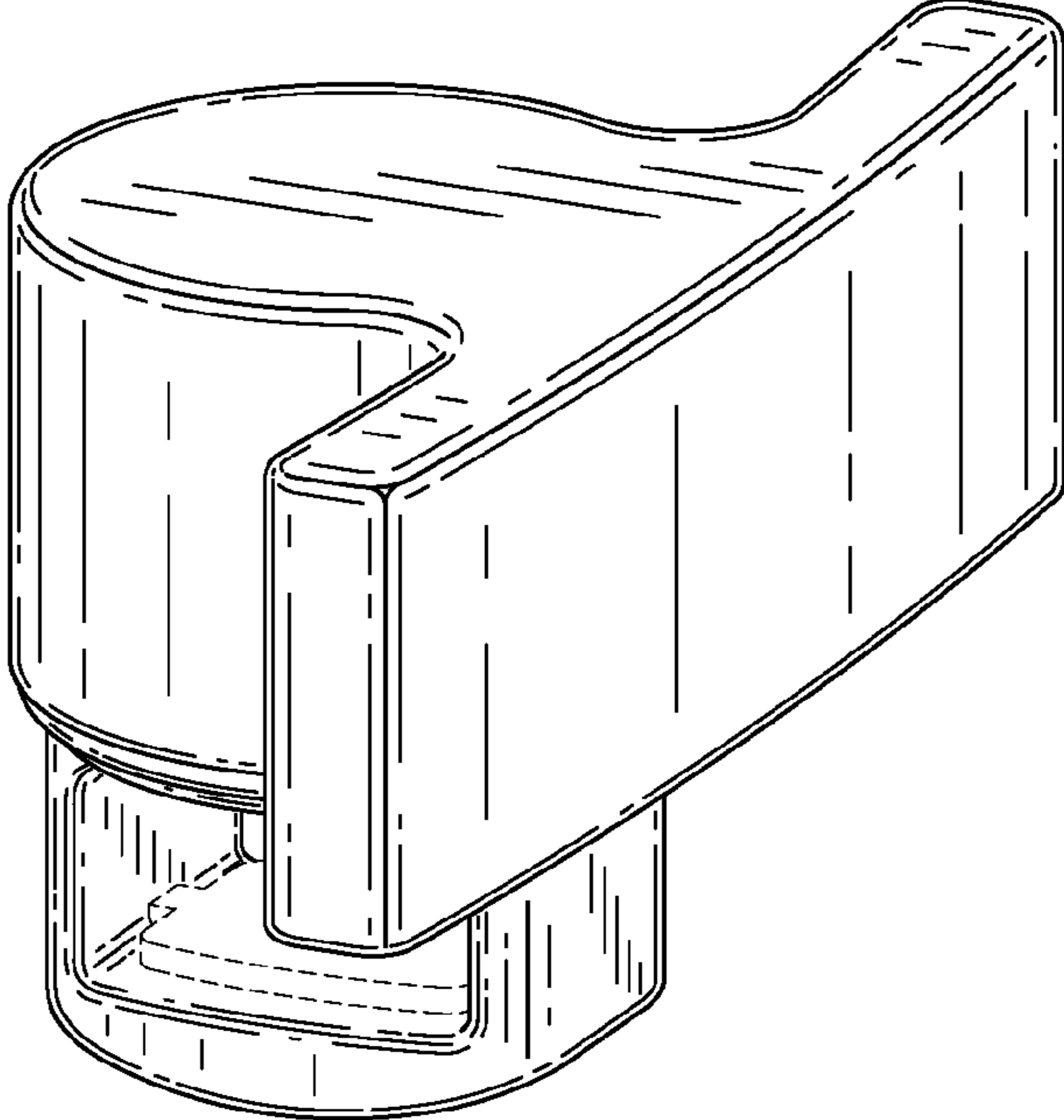
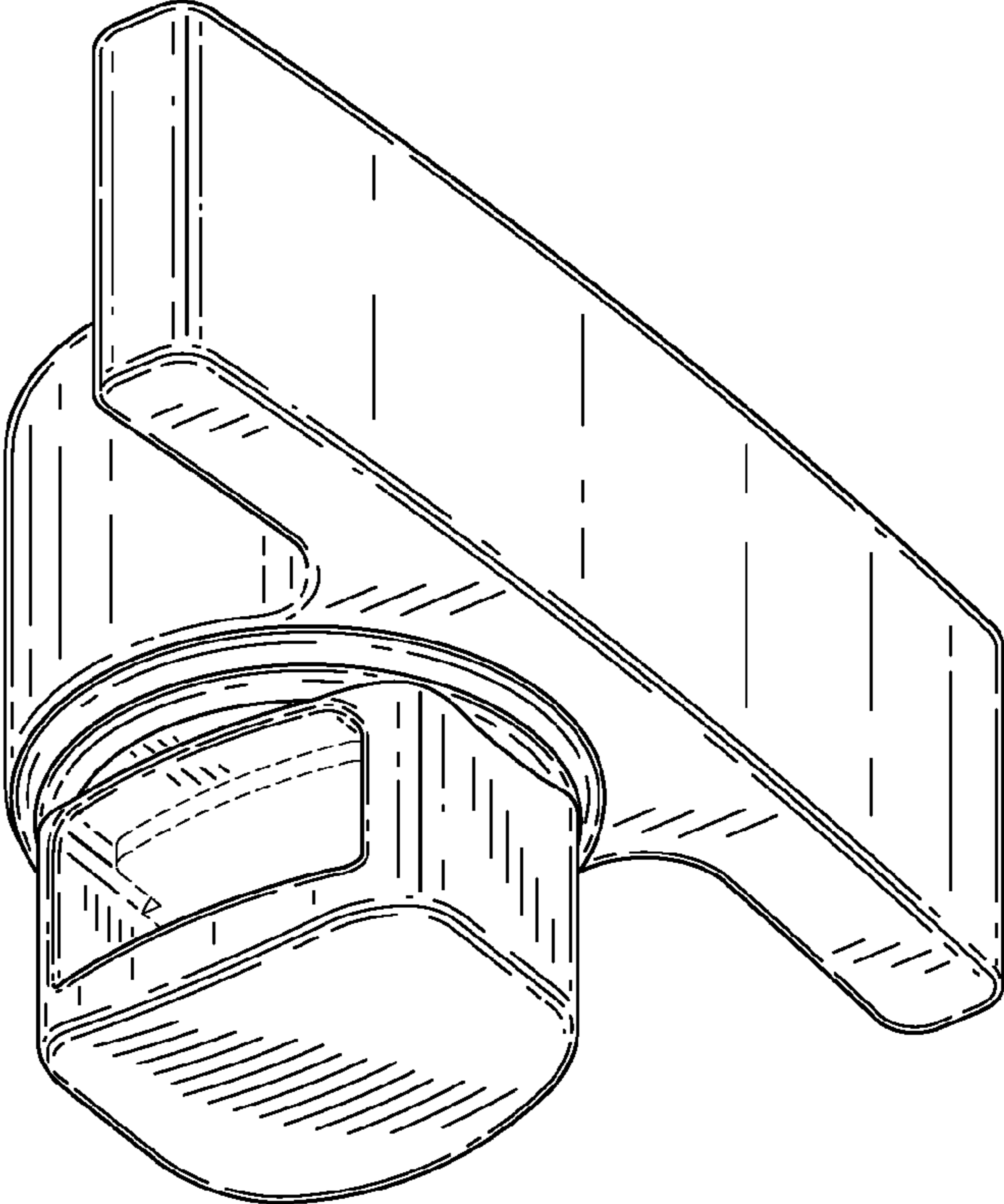


FIG. 2



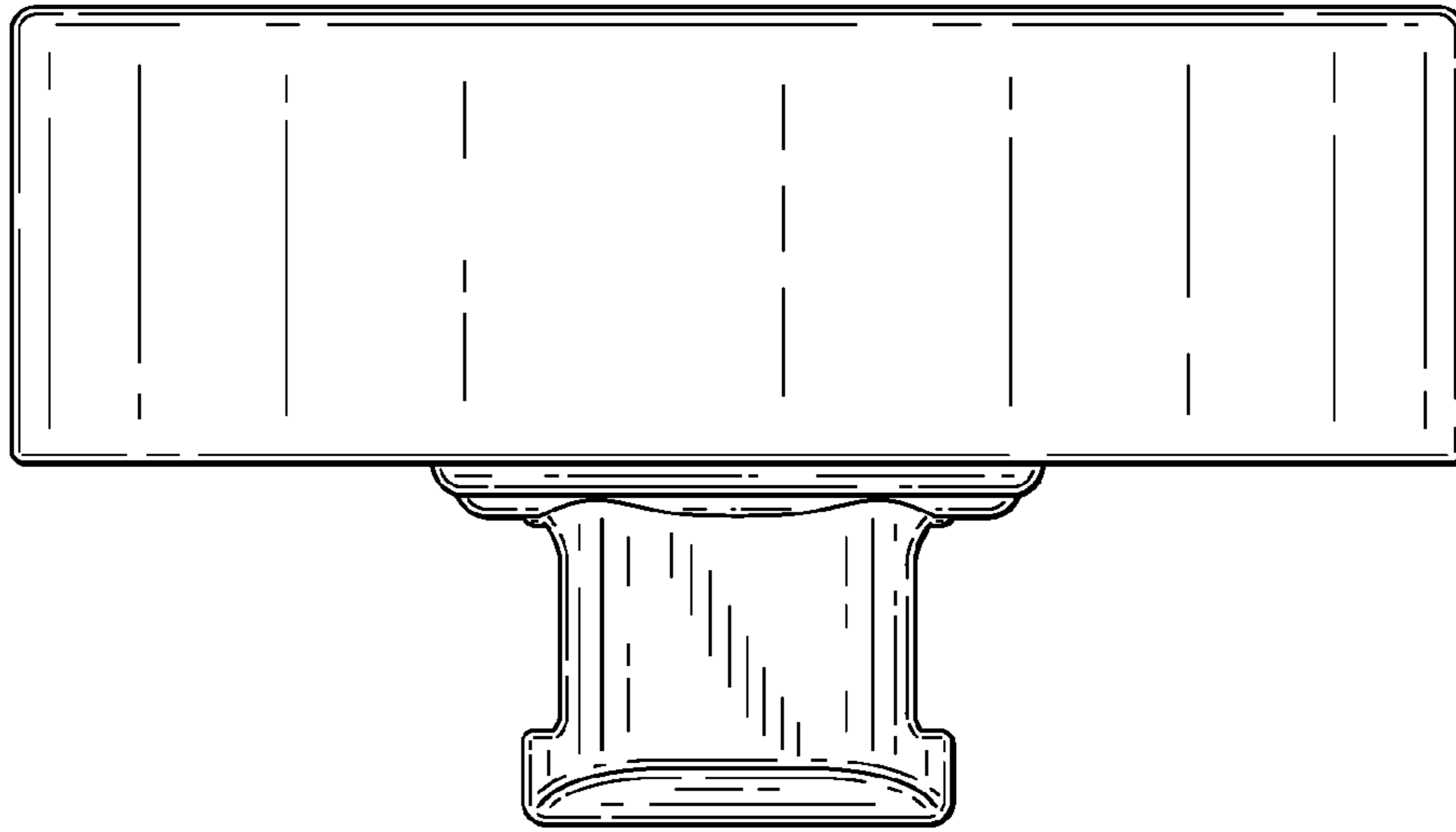


FIG. 3

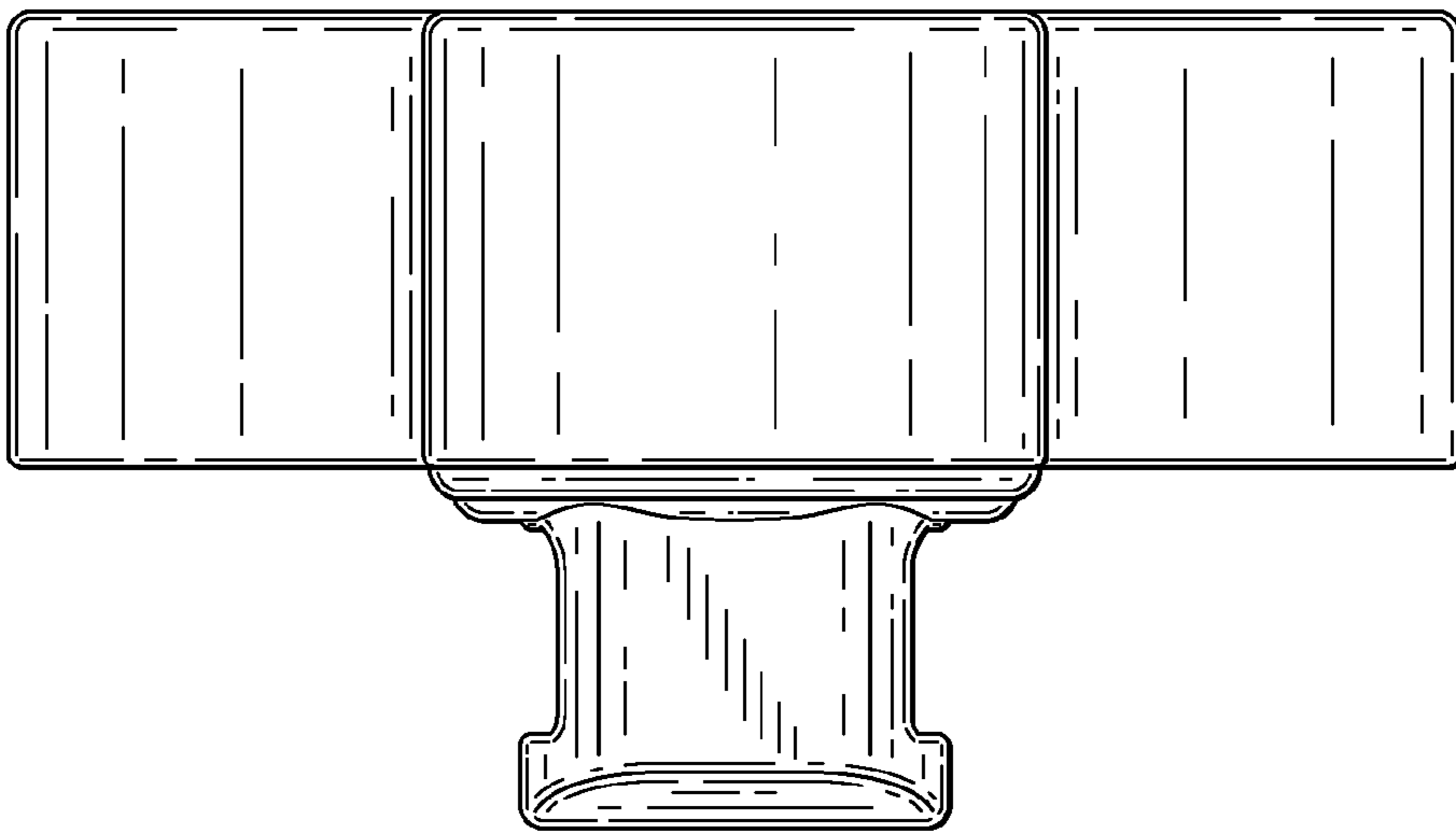


FIG. 4

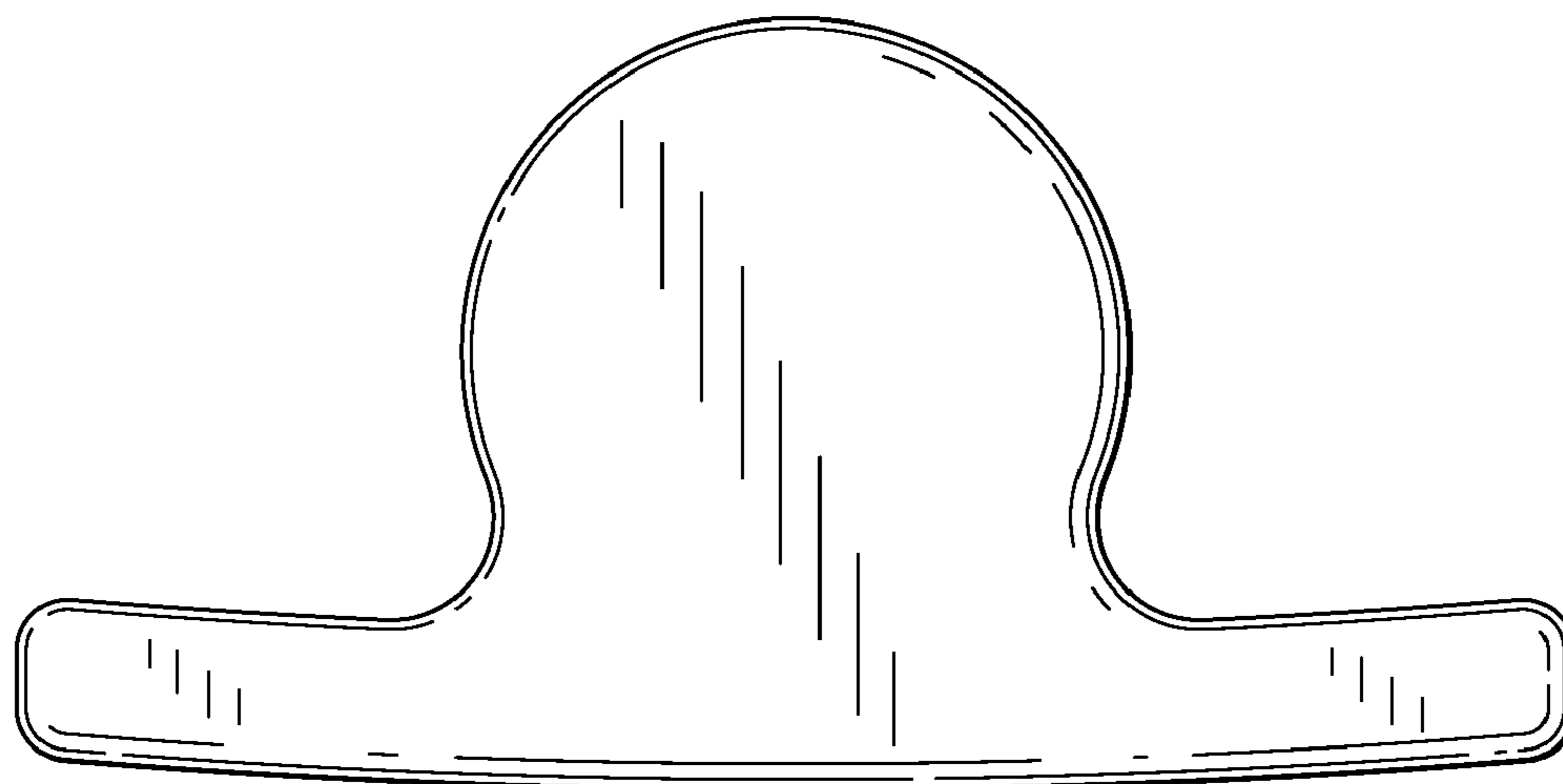


FIG. 5

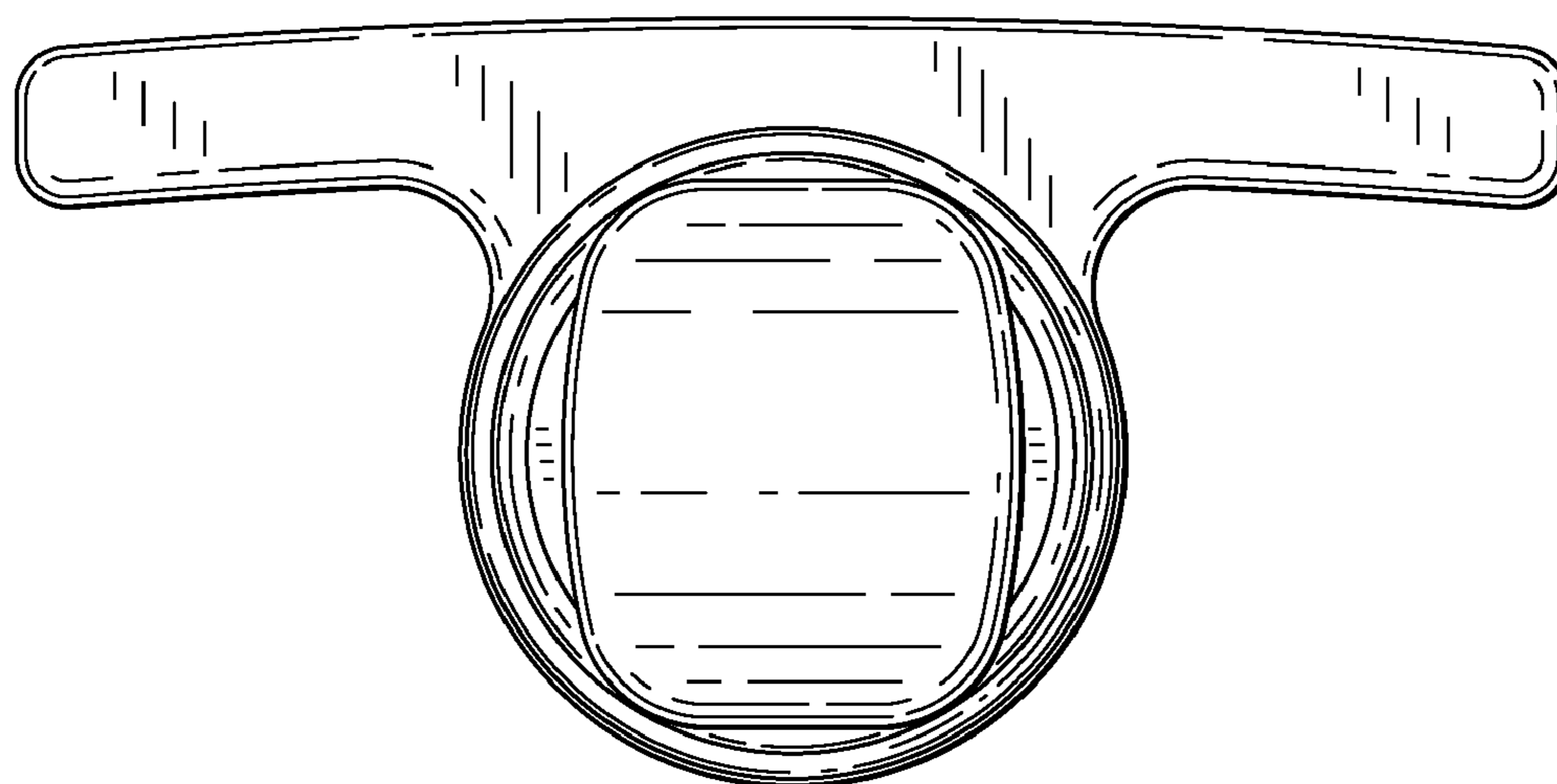


FIG. 6

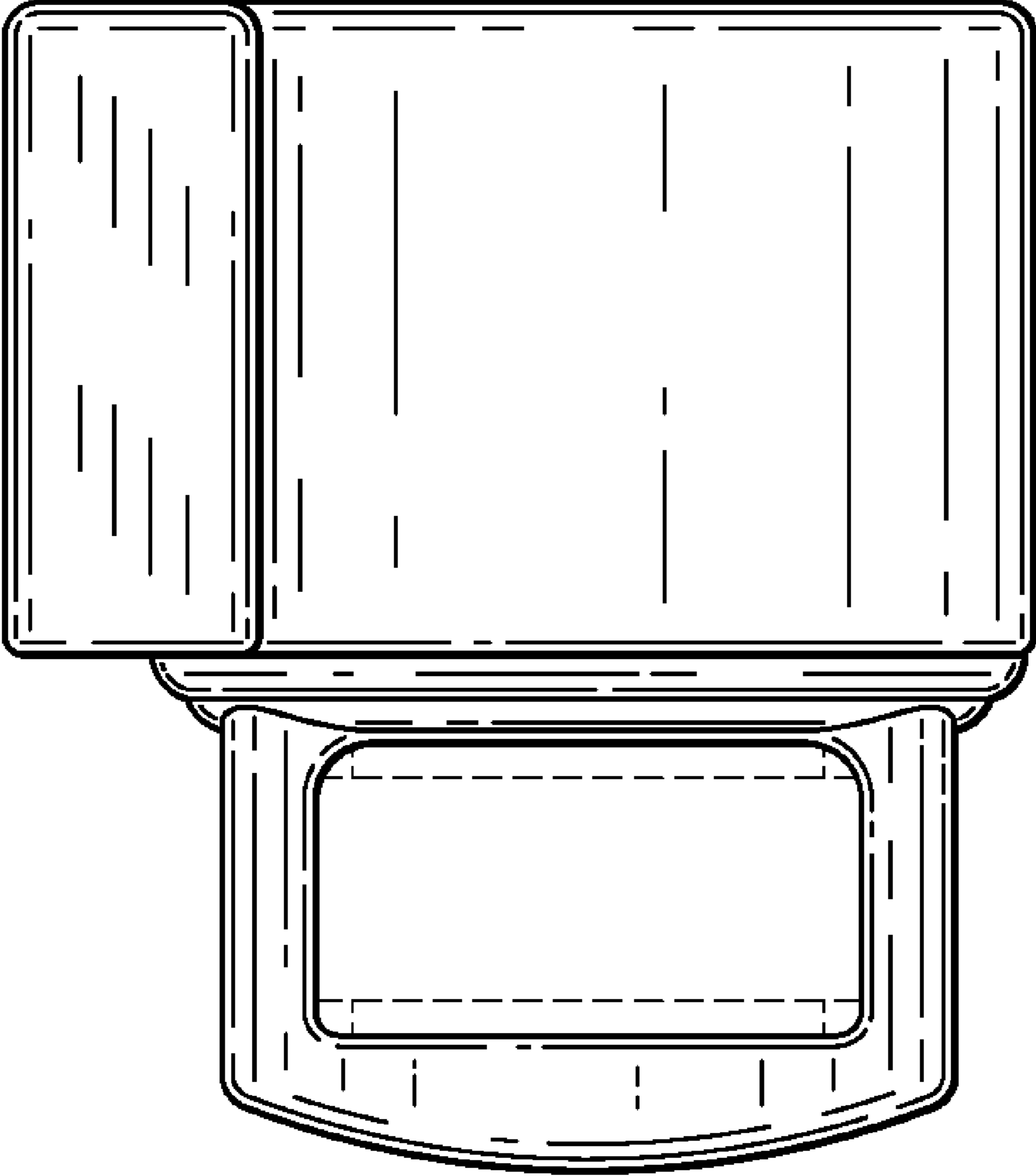


FIG. 7