



US00D618121S

(12) **United States Design Patent**  
**Penix et al.**

(10) **Patent No.:** **US D618,121 S**  
(45) **Date of Patent:** **\*\* Jun. 22, 2010**

(54) **WIRELESS ELECTRONIC SECURITY DEVICE**

(75) Inventors: **Henry A. Penix**, Tulsa, OK (US);  
**Laurie L. Penix**, Tulsa, OK (US); **Peter E. H. Hauser**, Kirkland, WA (US)

(73) Assignee: **Zomm, LLC**, Tulsa, OK (US)

(\*\*) Term: **14 Years**

(21) Appl. No.: **29/350,032**

(22) Filed: **Nov. 10, 2009**

(51) **LOC (9) Cl.** ..... **10-05**

(52) **U.S. Cl.** ..... **D10/106**

(58) **Field of Classification Search** ..... D10/104,  
D10/106; D14/251, 203.6, 480.1; 70/57,  
70/57.1, 58, 59; D8/356

See application file for complete search history.

(56) **References Cited**

**U.S. PATENT DOCUMENTS**

- D274,048 S \* 5/1984 Wong et al. .... D10/106
- D456,692 S \* 5/2002 Epstein ..... D8/356
- D467,892 S \* 12/2002 Lewis ..... D14/203.6
- D512,060 S \* 11/2005 Wang et al. .... D14/480.1
- D533,799 S \* 12/2006 Thalhammer et al. .... D10/106

D598,797 S \* 8/2009 Aikawa ..... D10/104

\* cited by examiner

*Primary Examiner*—Caron Veynar

*Assistant Examiner*—George D Kirschbaum

(74) *Attorney, Agent, or Firm*—Holland & Knight LLP; Brian J. Colandreo, Esq; Elizabeth R. Burkhard, Esq.

(57) **CLAIM**

The ornamental design for a wireless electronic security device, as shown.

**DESCRIPTION**

FIG. 1 is a perspective view of a wireless electronic security device of the first embodiment showing the claimed design;

FIG. 2 is a front elevational view thereof;

FIG. 3 is a left side elevational view thereof;

FIG. 4 is a right side elevational view thereof;

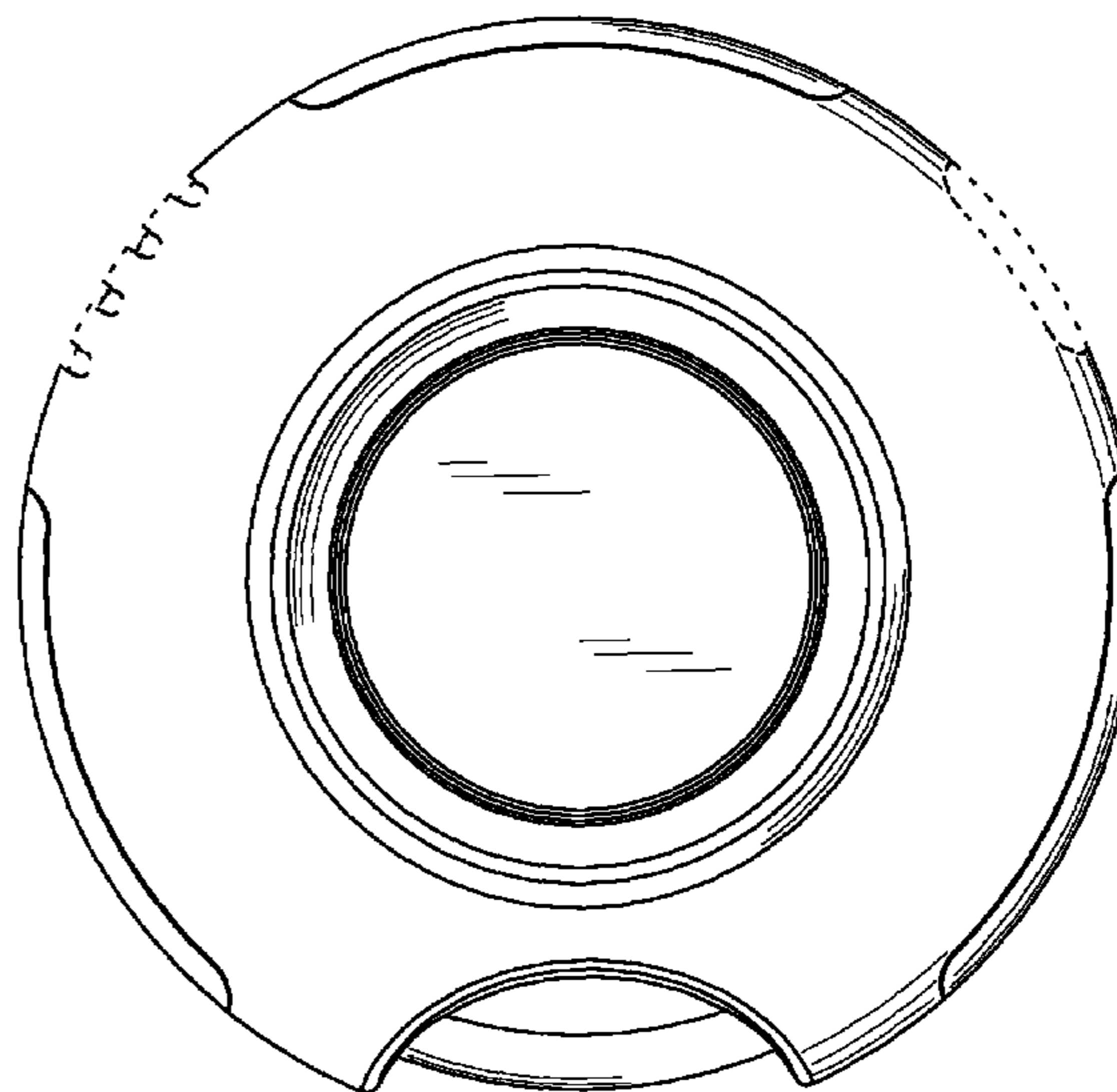
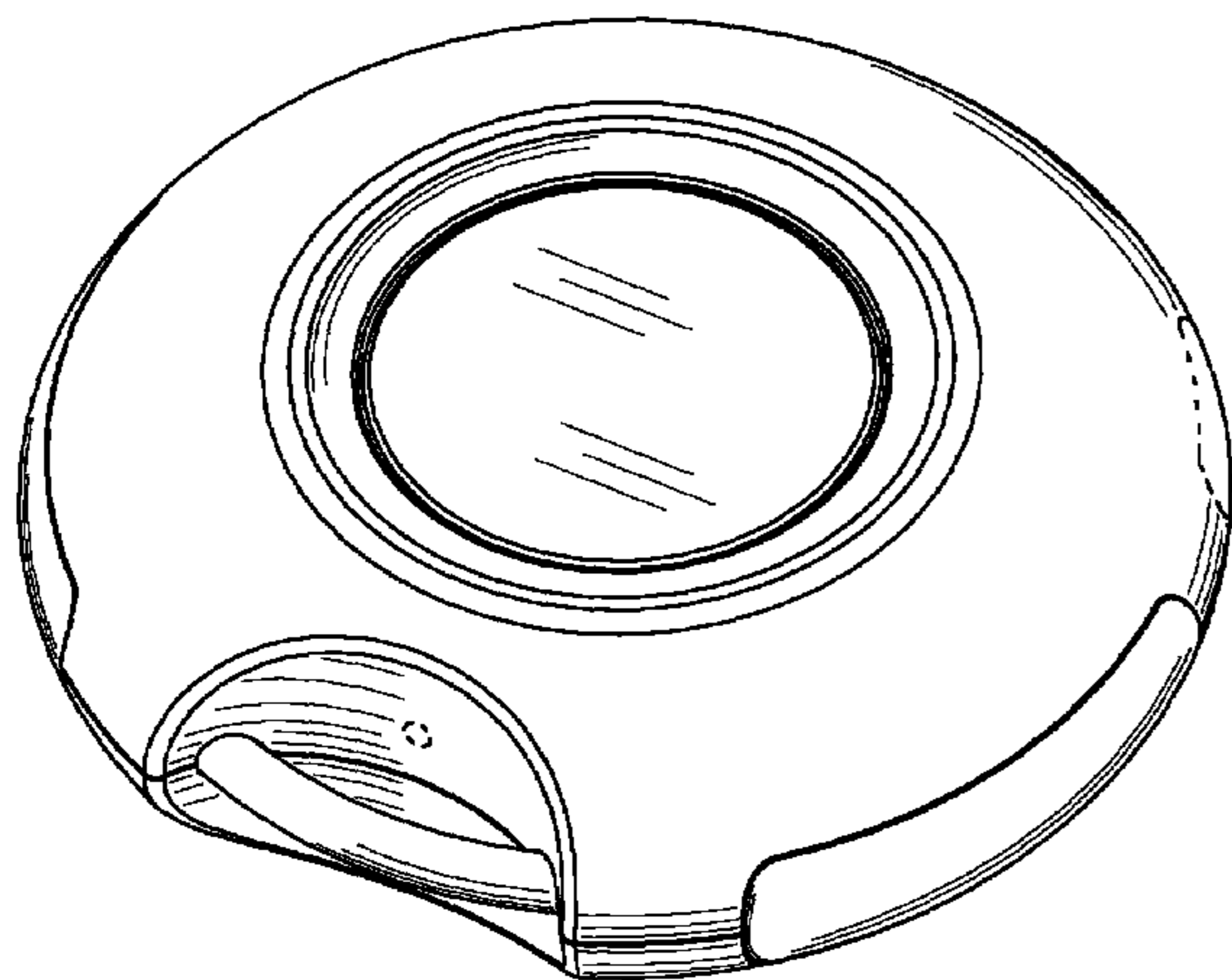
FIG. 5 is a back elevational view thereof;

FIG. 6 is a top plan view thereof; and,

FIG. 7 is a bottom plan view thereof.

The broken lines in the drawings show environmental structures and form no part of the claimed design.

**1 Claim, 7 Drawing Sheets**



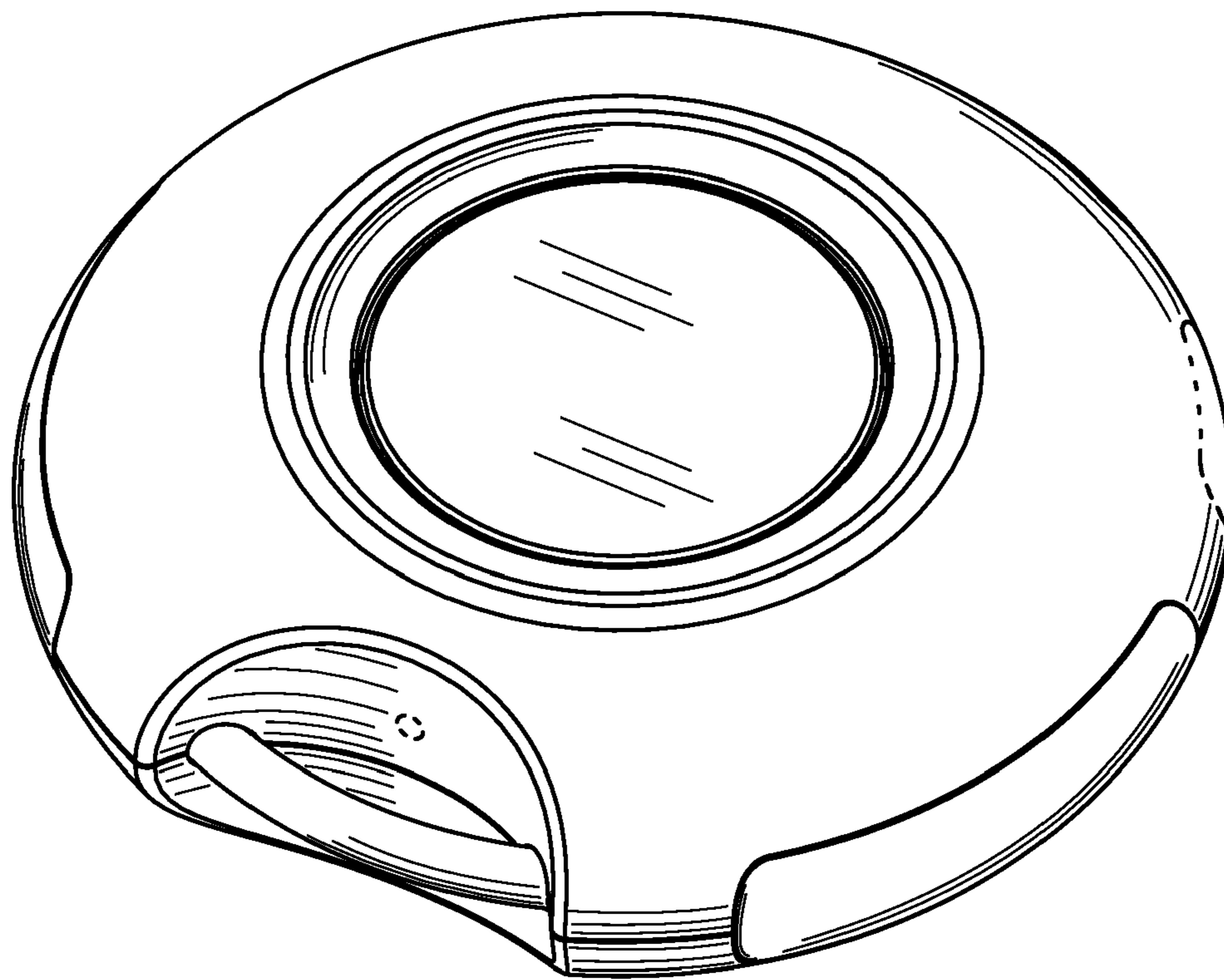


FIG. 1

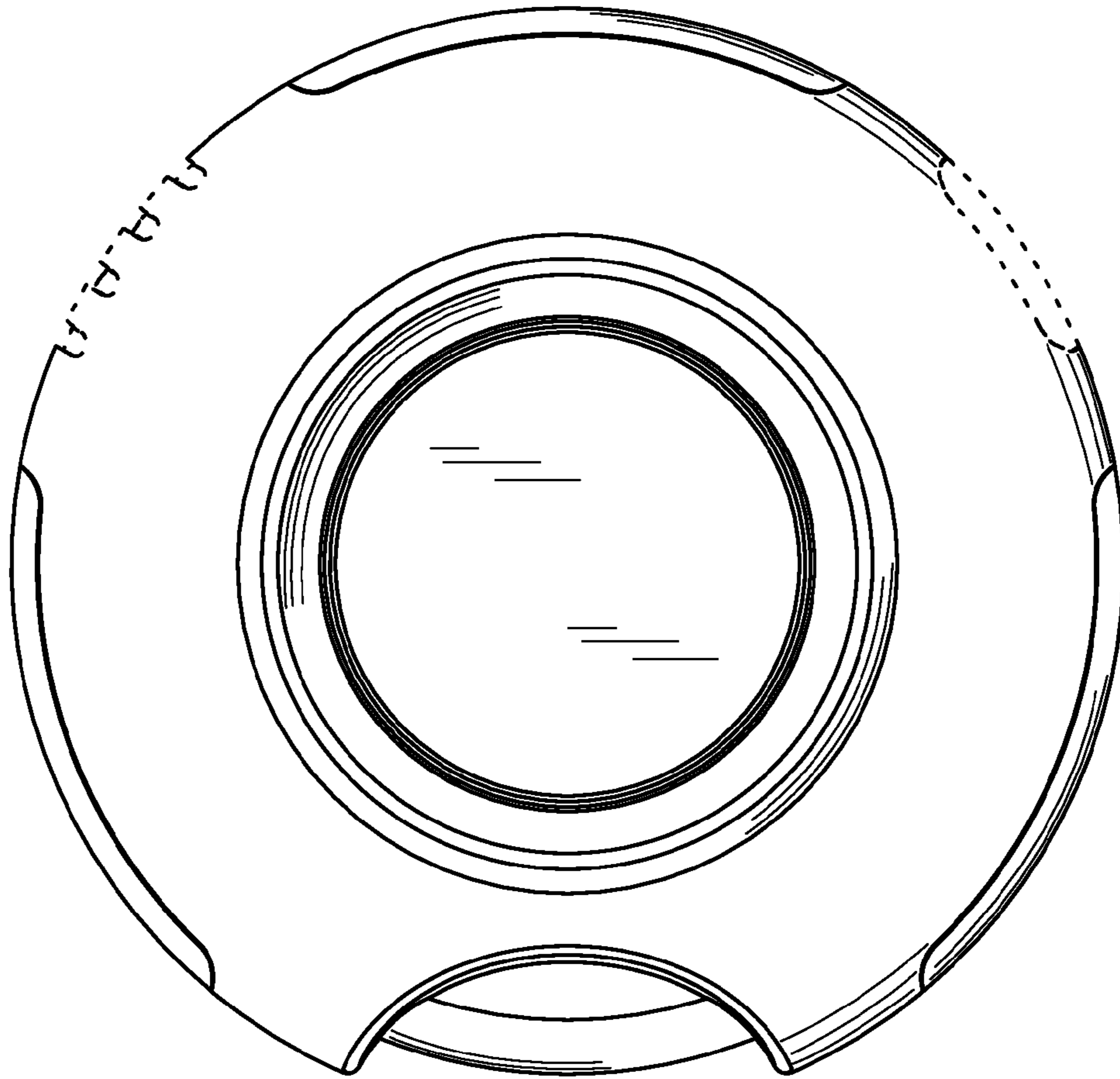


FIG. 2

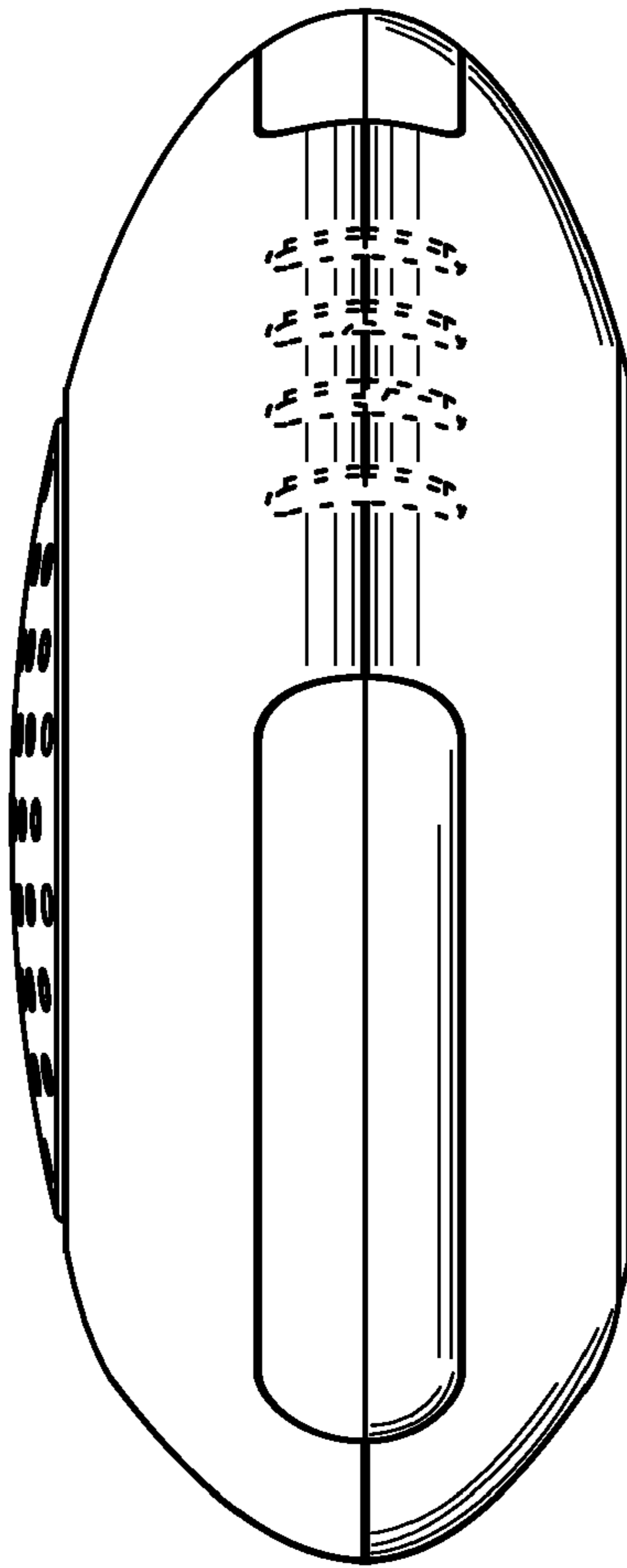


FIG. 3

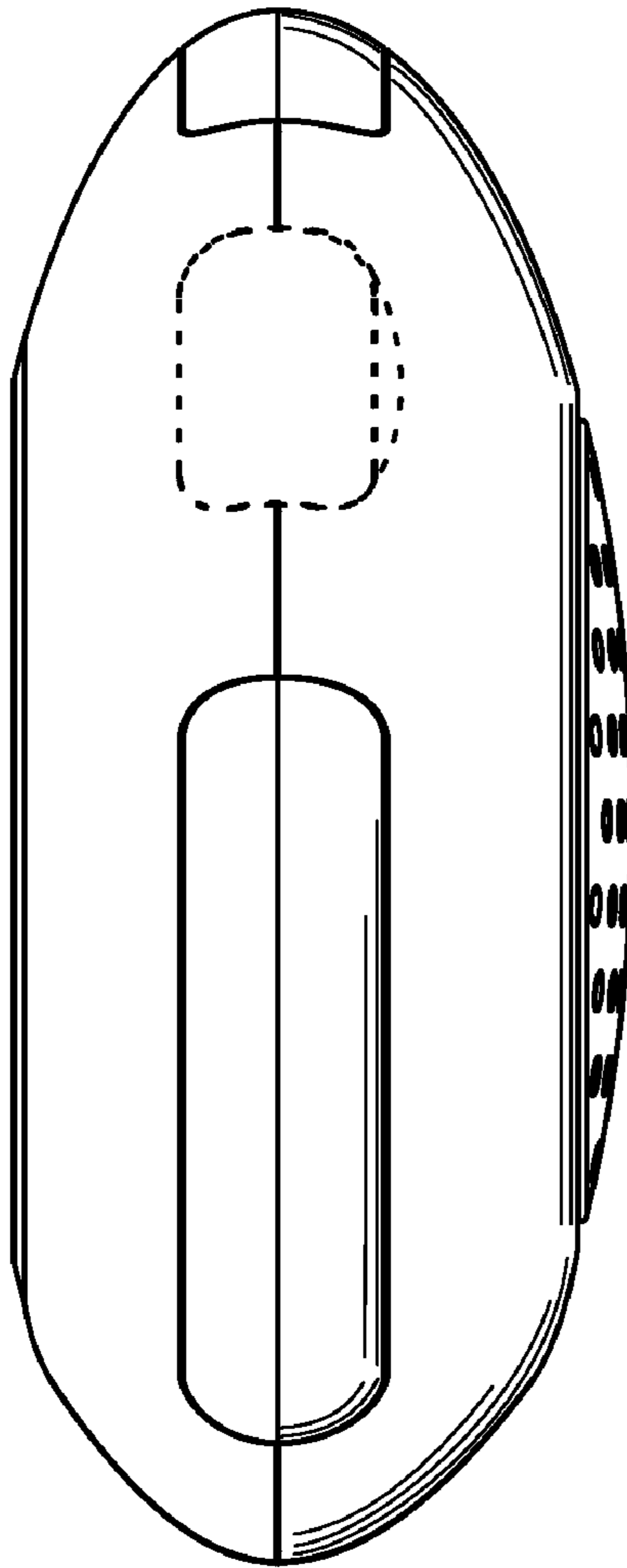


FIG. 4

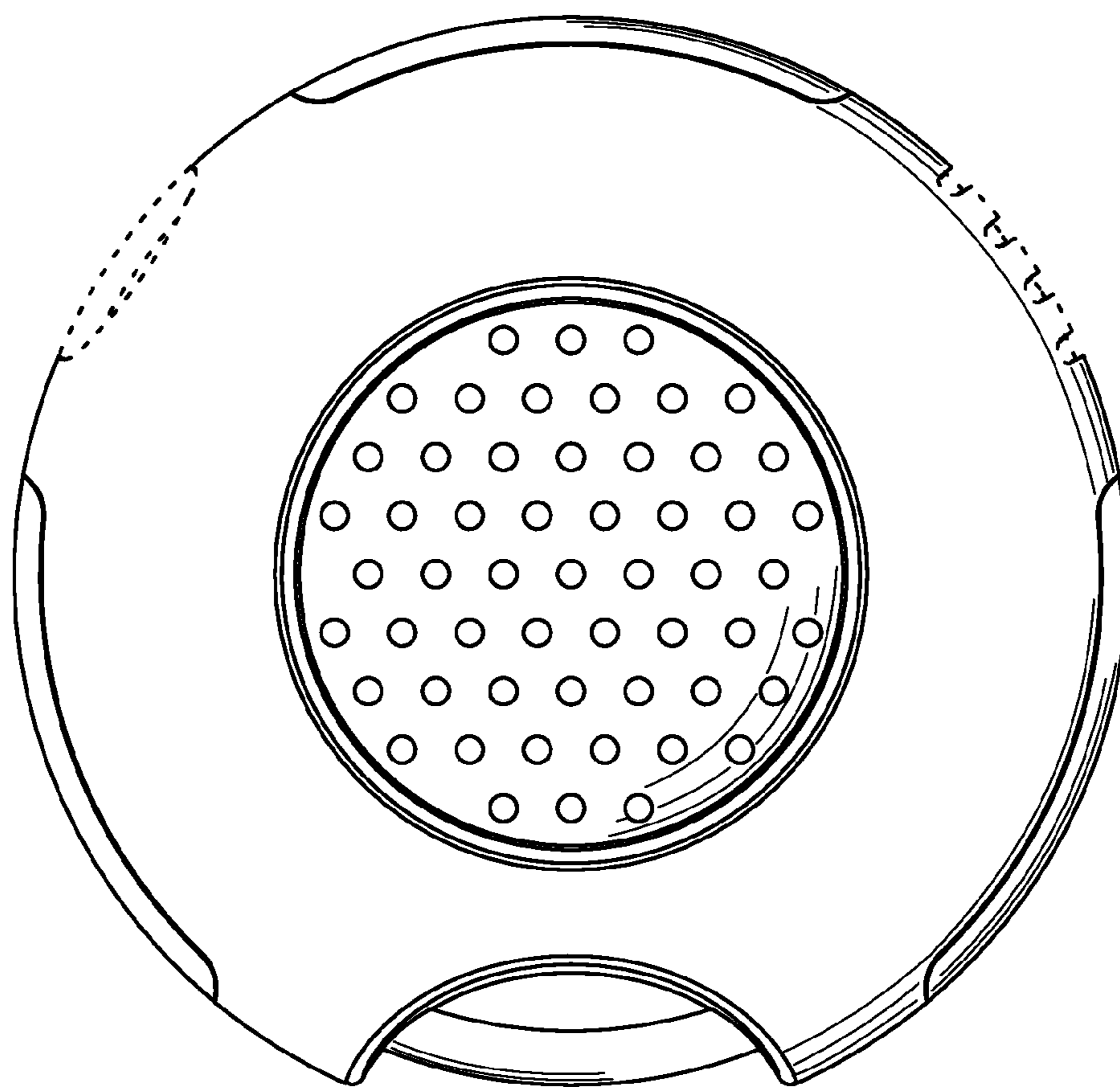


FIG. 5

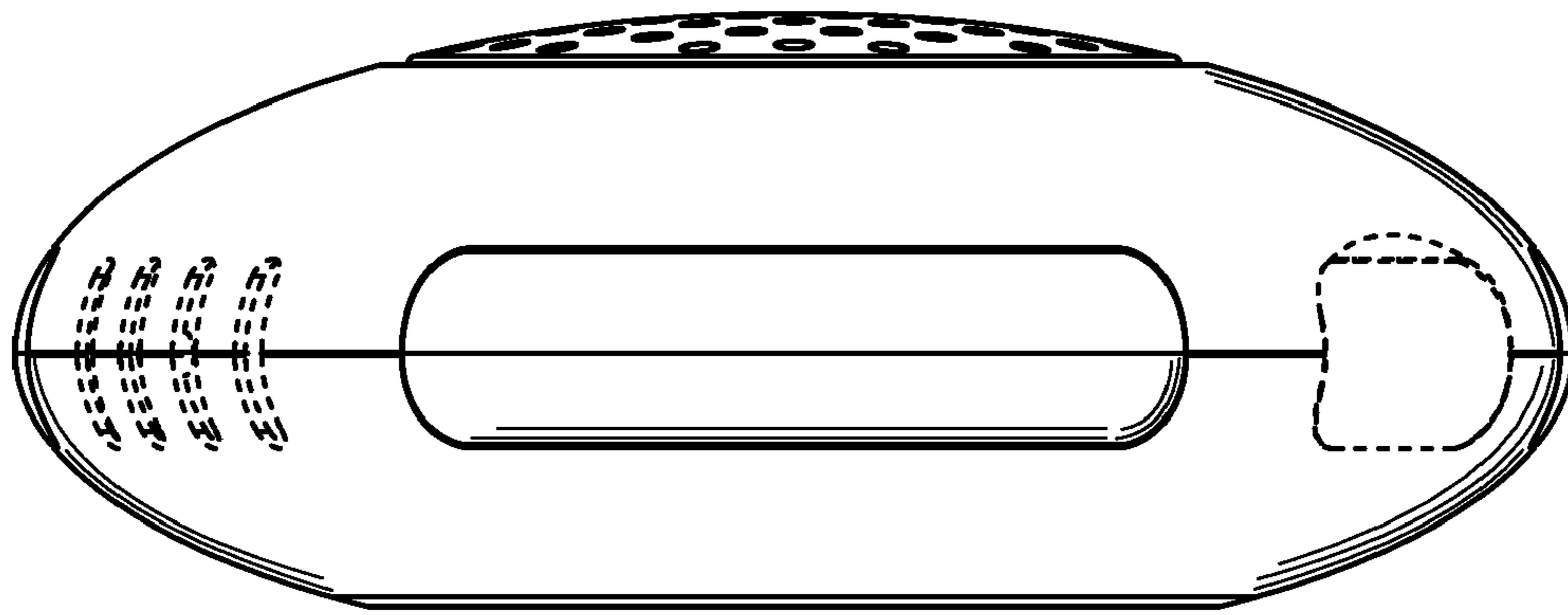


FIG. 6

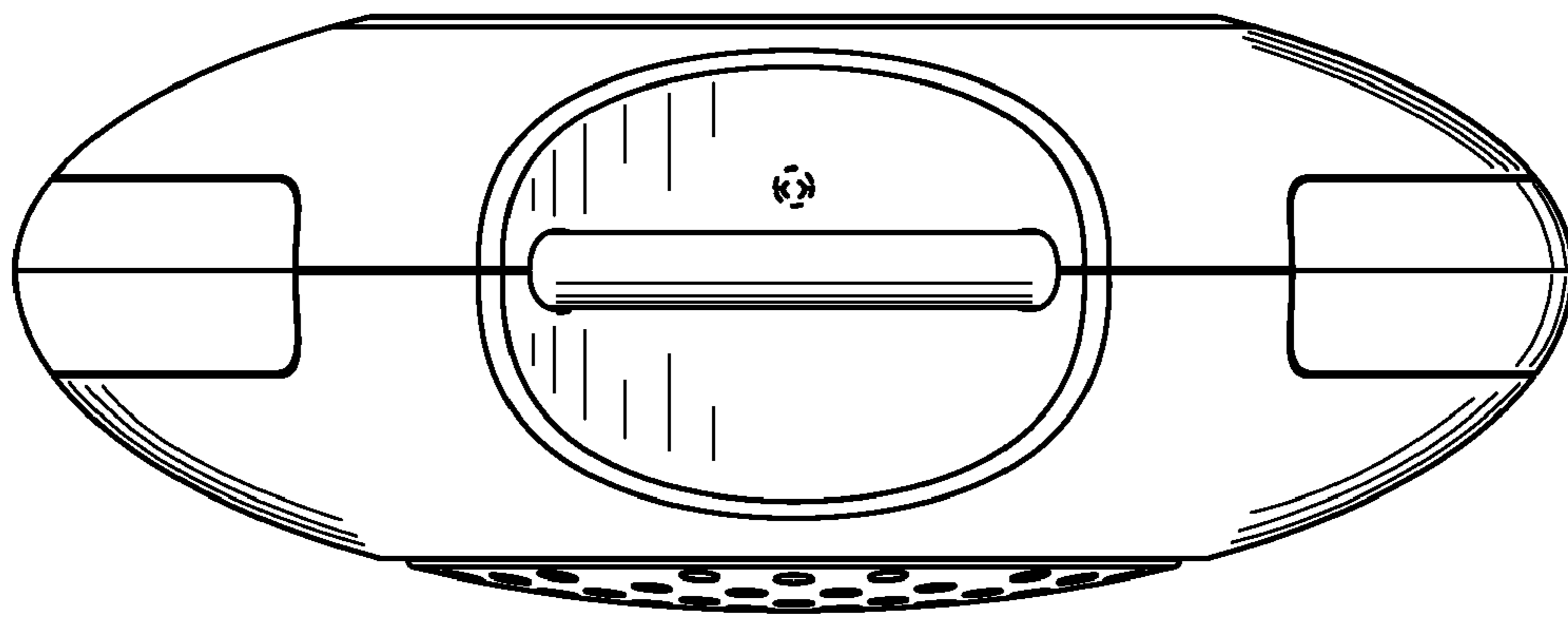


FIG. 7