



US00D618120S

(12) **United States Design Patent**
Kim et al.

(10) **Patent No.:** **US D618,120 S**
(45) **Date of Patent:** **** Jun. 22, 2010**

(54) **SIDE BRACE FOR CENTRAL-VIAL REGION OF A BOX LEVEL**

D536,999 S * 2/2007 Chen D10/69
2007/0234581 A1 10/2007 Ming

(75) Inventors: **Charles Dunn Kim**, Raleigh, NC (US);
Steven Wayne Bockmann, Raleigh, NC (US);
John R. Christianson, Waukesha, WI (US)

* cited by examiner

Primary Examiner—Antoine D Davis
(74) *Attorney, Agent, or Firm*—Jansson Shupe & Munger Ltd.

(73) Assignee: **Empire Level Mfg. Co.**, Mukwonago, WI (US)

(57) **CLAIM**

The ornamental design for a side brace for central-vial region of a box level, as shown and described.

(**) Term: **14 Years**

(21) Appl. No.: **29/346,864**

DESCRIPTION

(22) Filed: **Nov. 6, 2009**

Related U.S. Application Data

(63) Continuation of application No. 29/346,312, filed on Oct. 29, 2009.

FIG. 1 is a perspective view of the side brace for central-vial region of a box level, a central portion of the brace and a shown fragment of the box level are shown in phantom lines;

FIG. 2 is a front elevation of the side brace for central-vial region of a box level of FIG. 1;

(51) **LOC (9) Cl.** **10-04**

(52) **U.S. Cl.** **D10/74**

(58) **Field of Classification Search** D10/69,
D10/74; 33/365, 376, 379, 384, 389, 390
See application file for complete search history.

FIG. 3 is a top view of the side brace for central-vial region of a box level of FIG. 1; and,

FIG. 4 is a perspective view of the side brace for central-vial region of a box level of FIG. 1, the entire box level is shown in phantom lines.

The word DeWALT® as seen molded in FIGS. 1, and 4 is not part of the design.

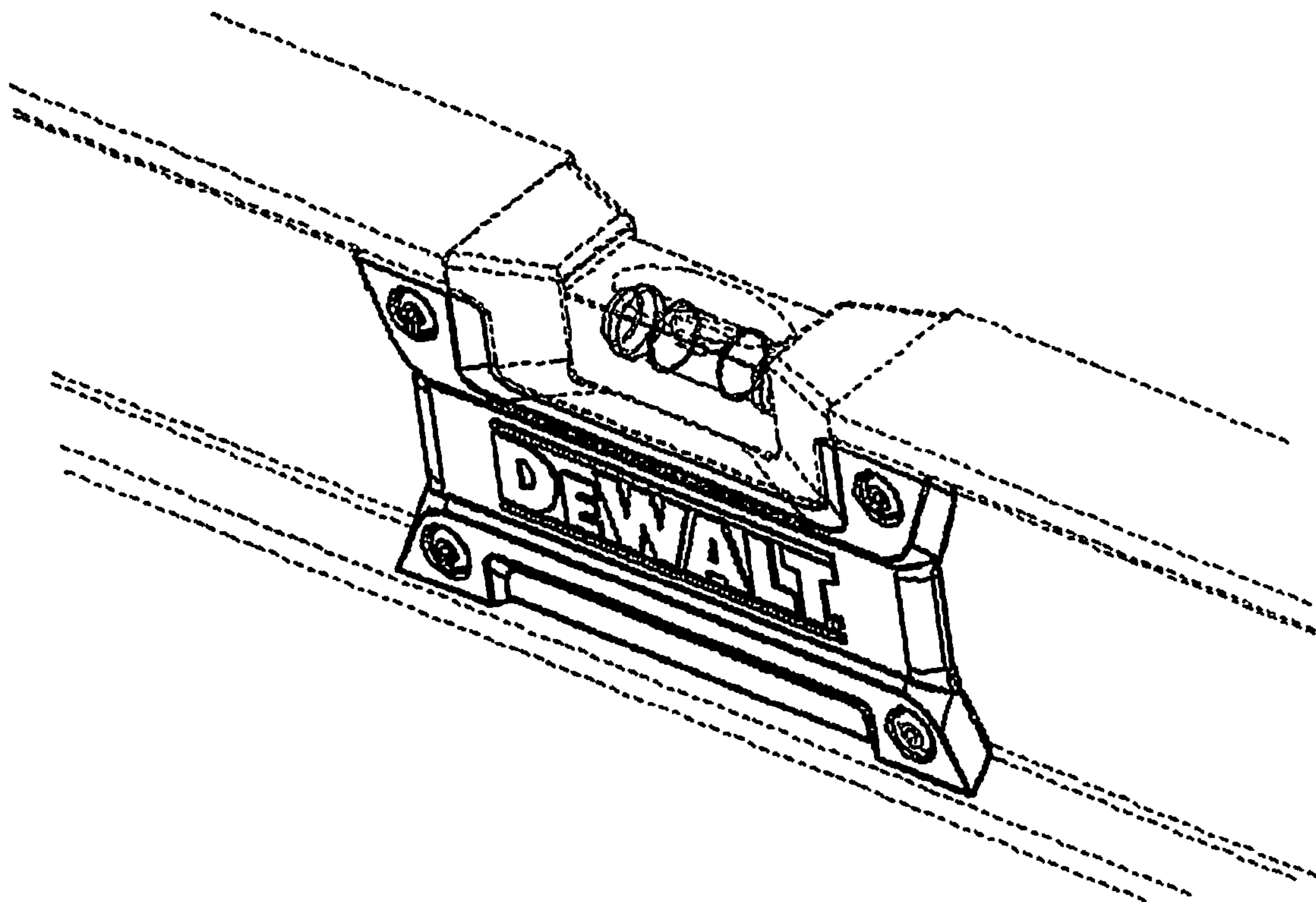
(56) **References Cited**

U.S. PATENT DOCUMENTS

3,984,919 A 10/1976 Guisti
D514,961 S 2/2006 Kim

The broken lines are provided for illustrative purposes only and form no part of the claimed design.

1 Claim, 4 Drawing Sheets



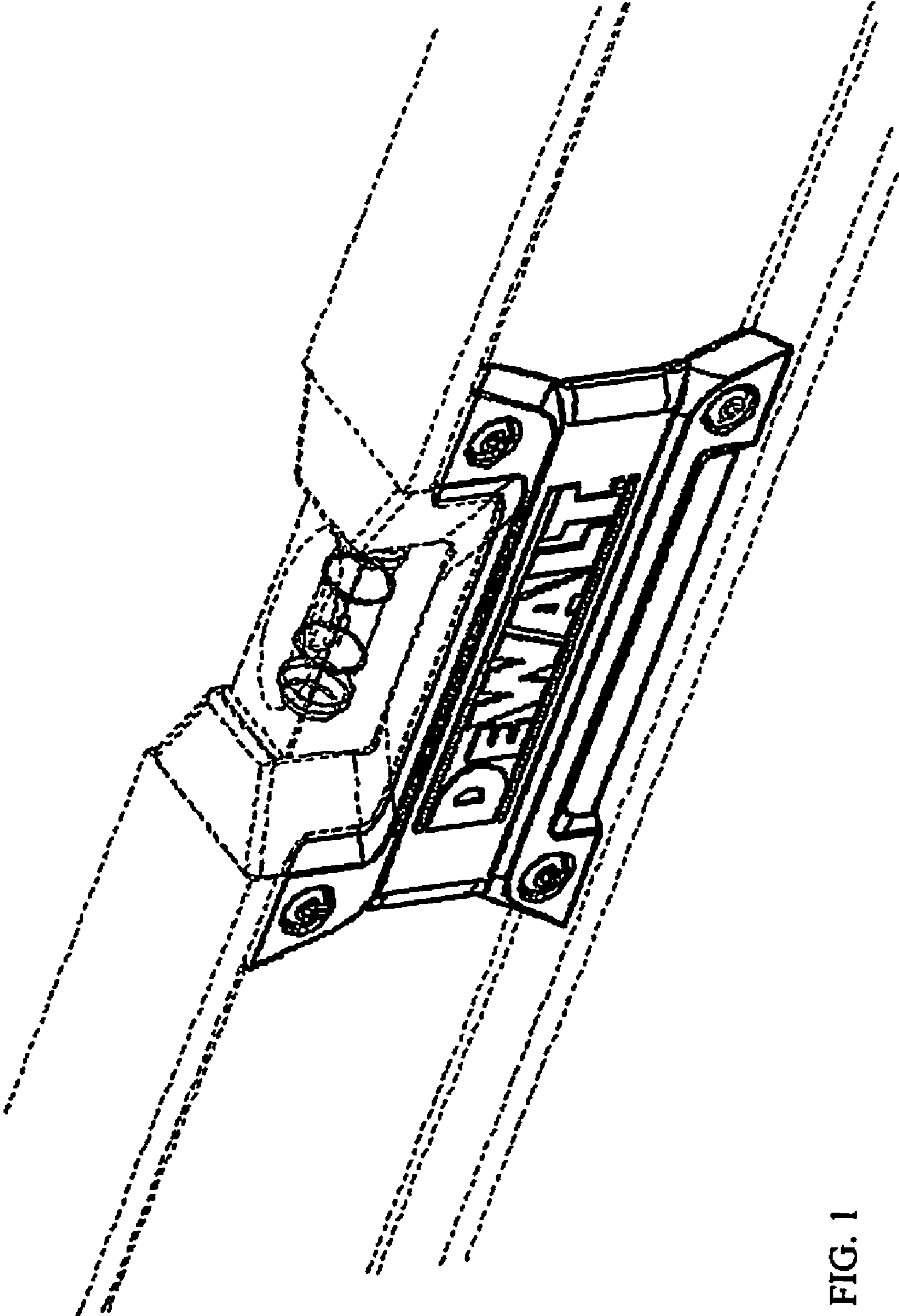


FIG. 1

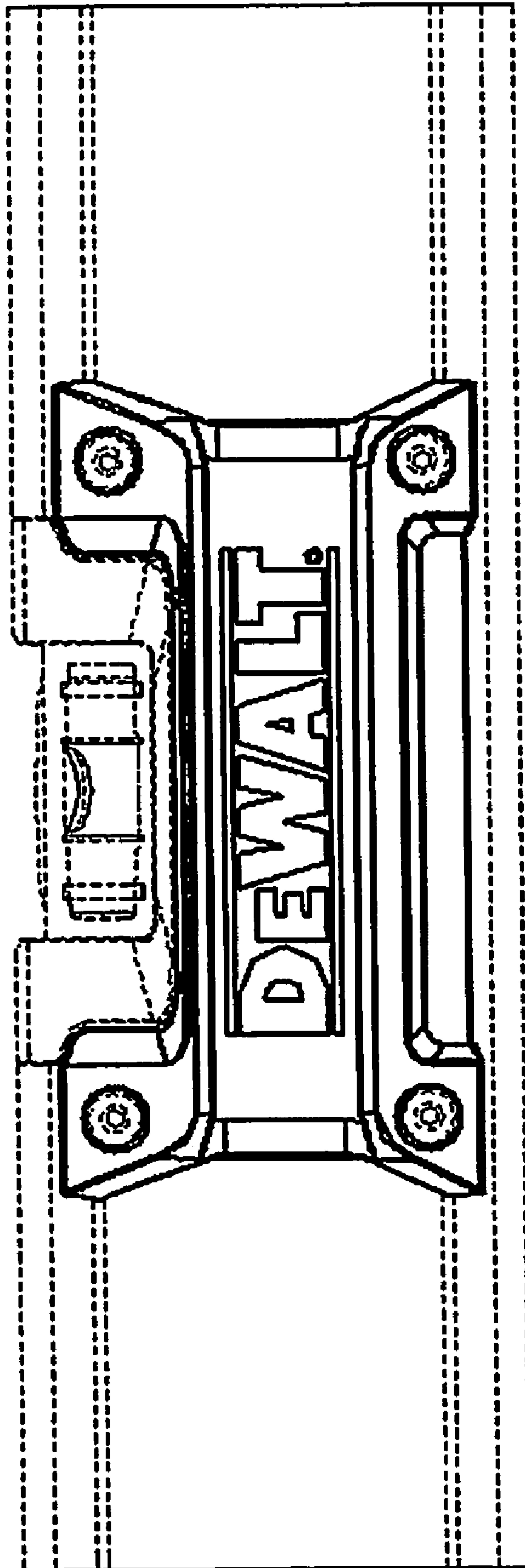


FIG. 2

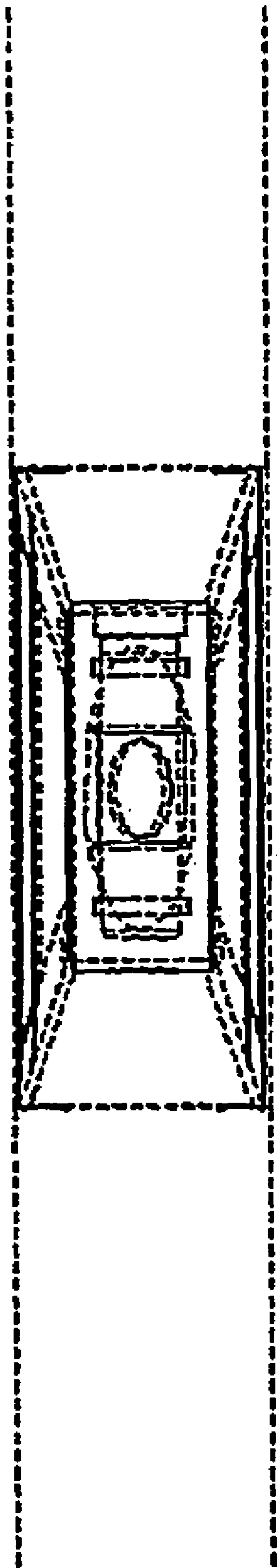


FIG. 3

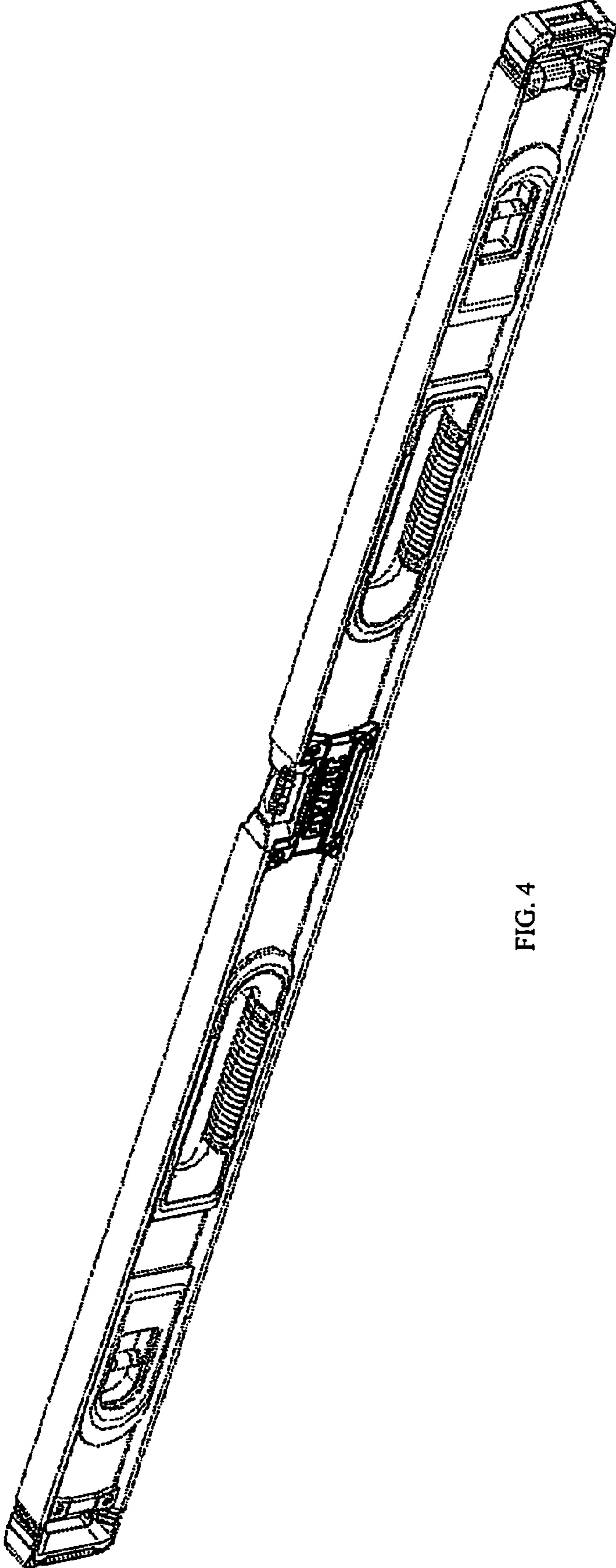


FIG. 4