



US00D618111S

(12) **United States Design Patent**
Kaminski et al.

(10) **Patent No.:** **US D618,111 S**
(45) **Date of Patent:** **** Jun. 22, 2010**

(54) **PLASTIC CONTAINER**

(75) Inventors: **Christopher E. Kaminski**, Northfield Center, OH (US); **Richard A. Lovelace, Jr.**, Munroe Falls, OH (US)

(73) Assignee: **Plastipak Packaging, Inc.**, Plymouth, MI (US)

(**) Term: **14 Years**

(21) Appl. No.: **29/354,307**

(22) Filed: **Jan. 22, 2010**

Related U.S. Application Data

(62) Division of application No. 29/329,265, filed on Dec. 11, 2003, now Pat. No. Des. 611,356.

(51) **LOC (9) Cl.** **09-01**

(52) **U.S. Cl.** **D9/574; D9/563; D9/570**

(58) **Field of Classification Search** D9/500, D9/516, 529, 530, 537, 540, 543, 549-552, D9/564, 571, 575, 434, 435, 439; 220/662, 220/669; 215/382-384

See application file for complete search history.

(56) **References Cited**

U.S. PATENT DOCUMENTS

D347,391 S	5/1994	Guertin
D411,803 S	7/1999	Guertin
D421,721 S	3/2000	Guertin
D533,071 S	12/2006	Forget
D536,985 S	2/2007	Forget

D543,863 S	*	6/2007	Archeny et al.	D9/560
D568,167 S		5/2008	Sasaki et al.		
D568,169 S	*	5/2008	Sasaki et al.	D9/570
D578,400 S		10/2008	Sasaki et al.		
D584,153 S		1/2009	Bourne		
D586,664 S		2/2009	Darr et al.		
D601,426 S		10/2009	Darr et al.		
2007/0170144 A1		7/2007	Lane et al.		

* cited by examiner

Primary Examiner—Stella M Reid

Assistant Examiner—Keli L Hill

(74) *Attorney, Agent, or Firm*—Dykema Gossett PLLC

(57) **CLAIM**

The ornamental design for a plastic container, as shown described.

DESCRIPTION

FIG. 1 is a top, front left side perspective view of a plastic container showing our new design;

FIG. 2 is front elevation view thereof;

FIG. 3 is a left side view thereof;

FIG. 4 is a rear view thereof;

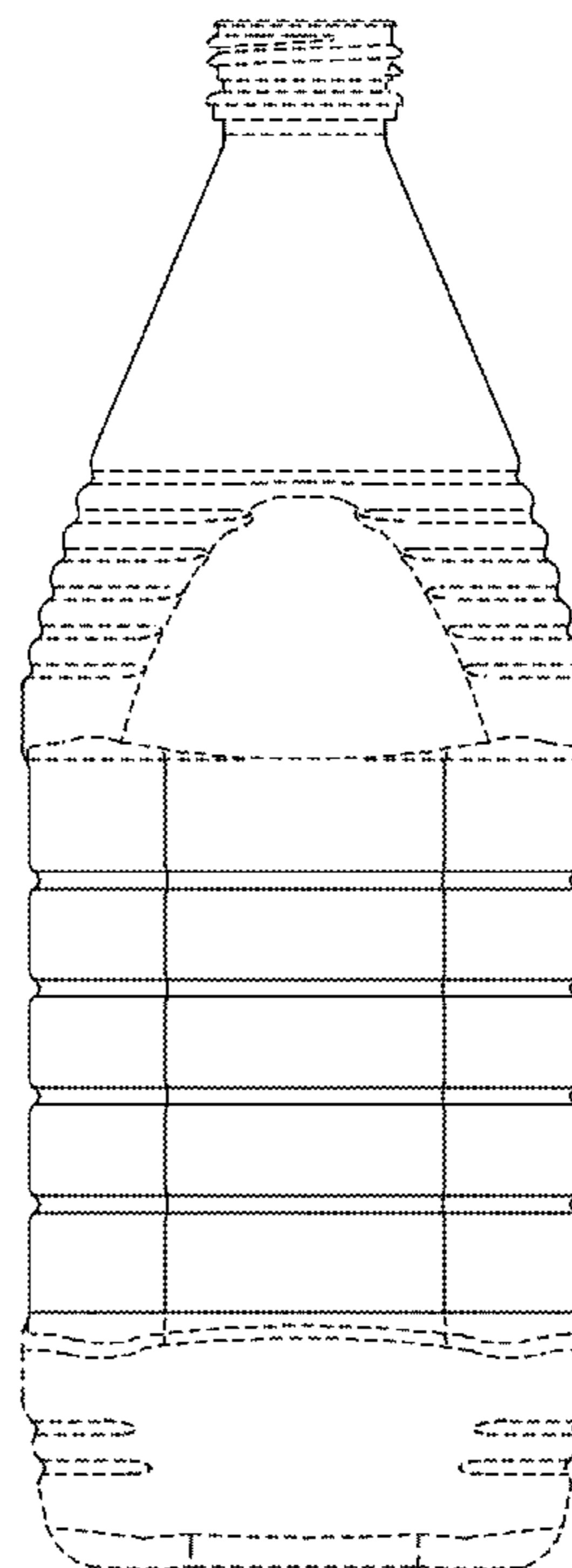
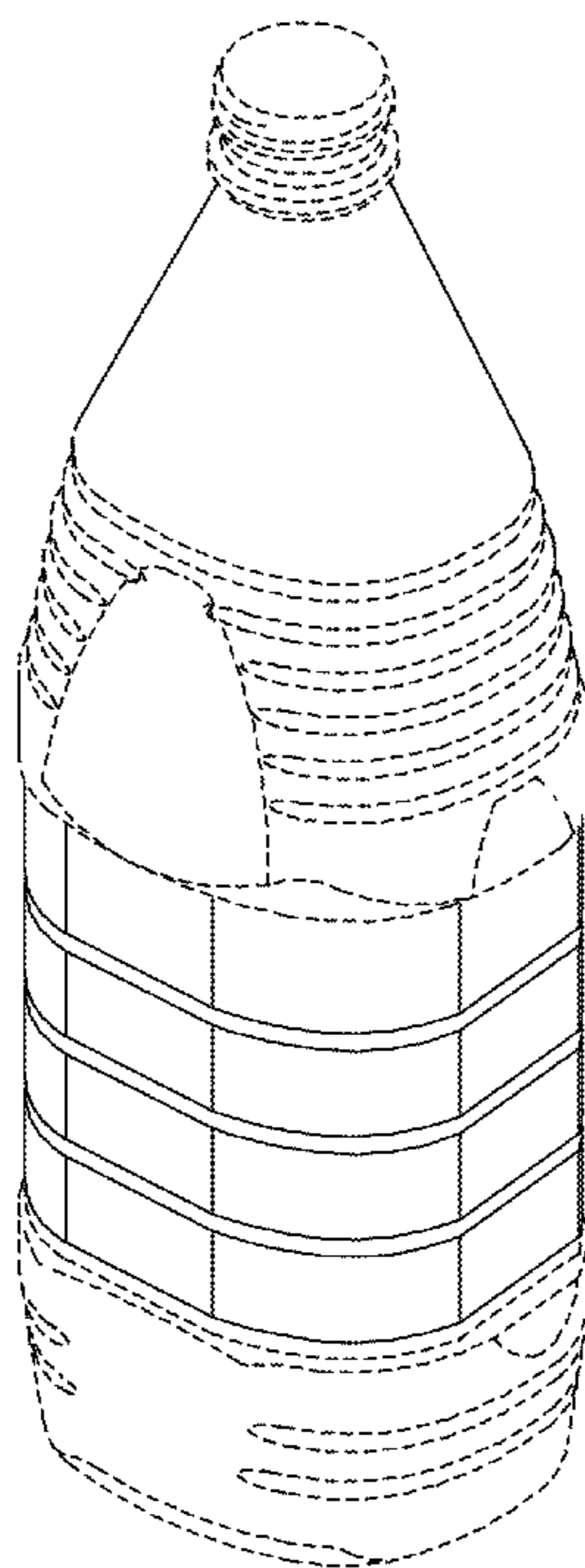
FIG. 5 is a right side view thereof;

FIG. 6 is a top plan view thereof; and,

FIG. 7 is a bottom view thereof.

The broken lines shown in the drawings are for illustrative purposes only do not form a part of the claimed design.

1 Claim, 6 Drawing Sheets



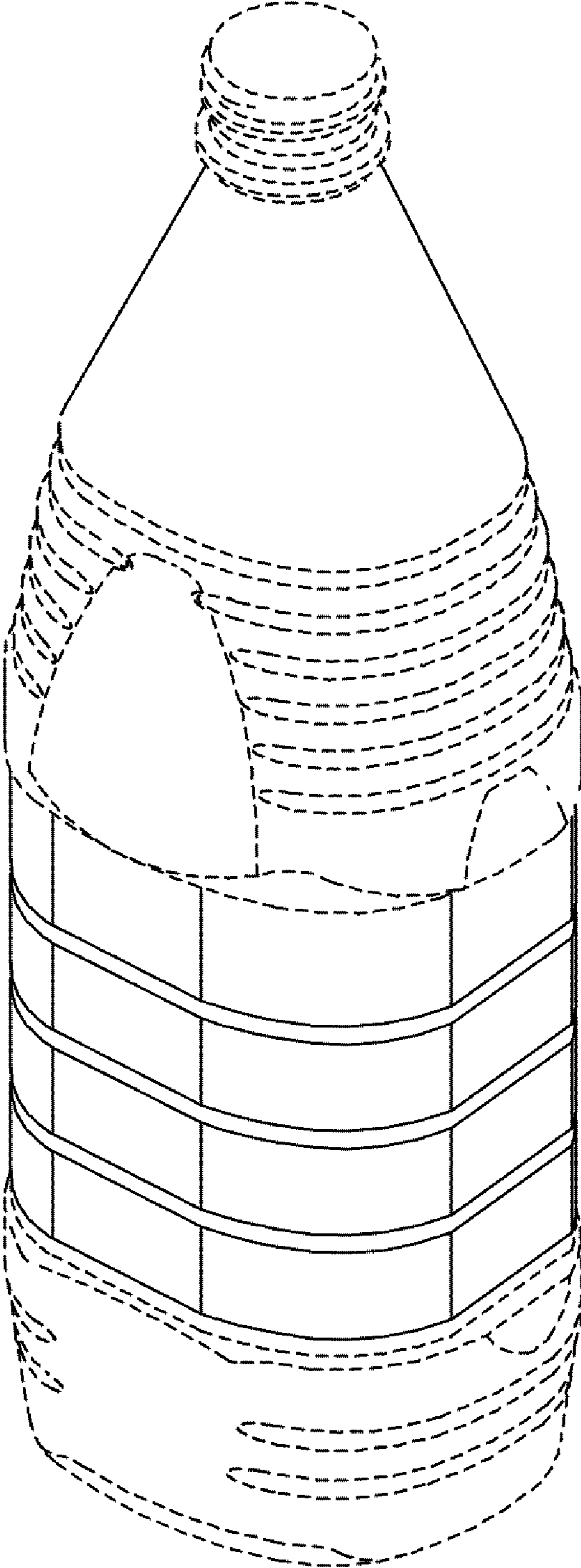


FIG. 1

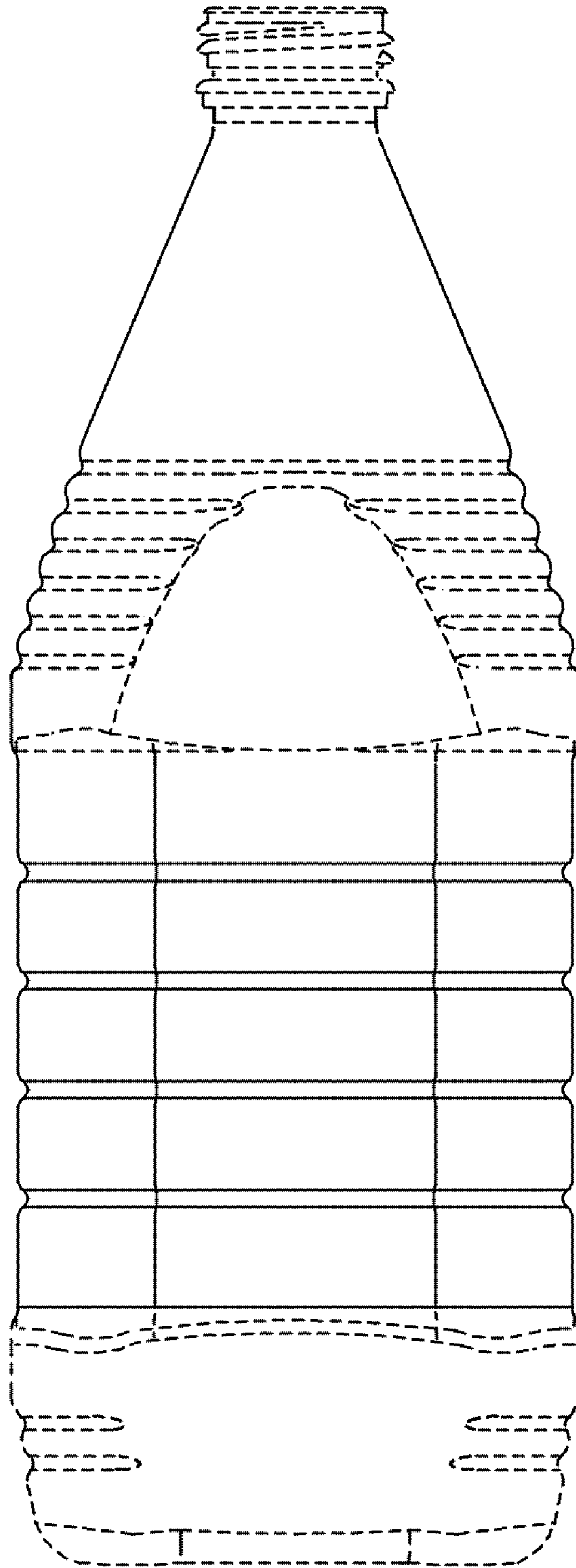


FIG. 2

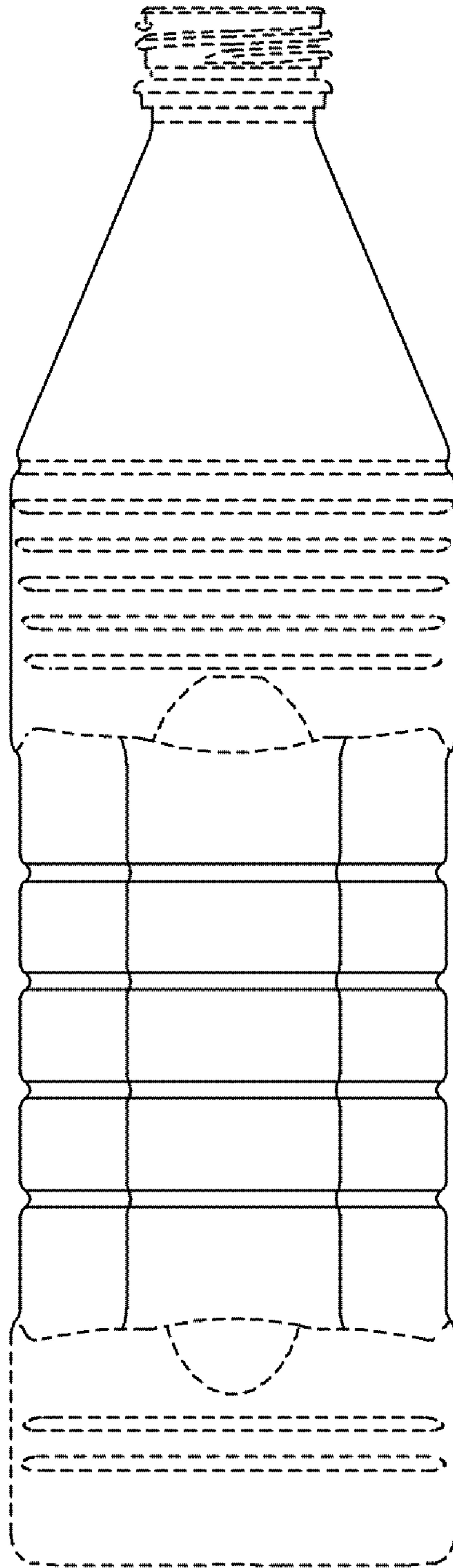


FIG. 3

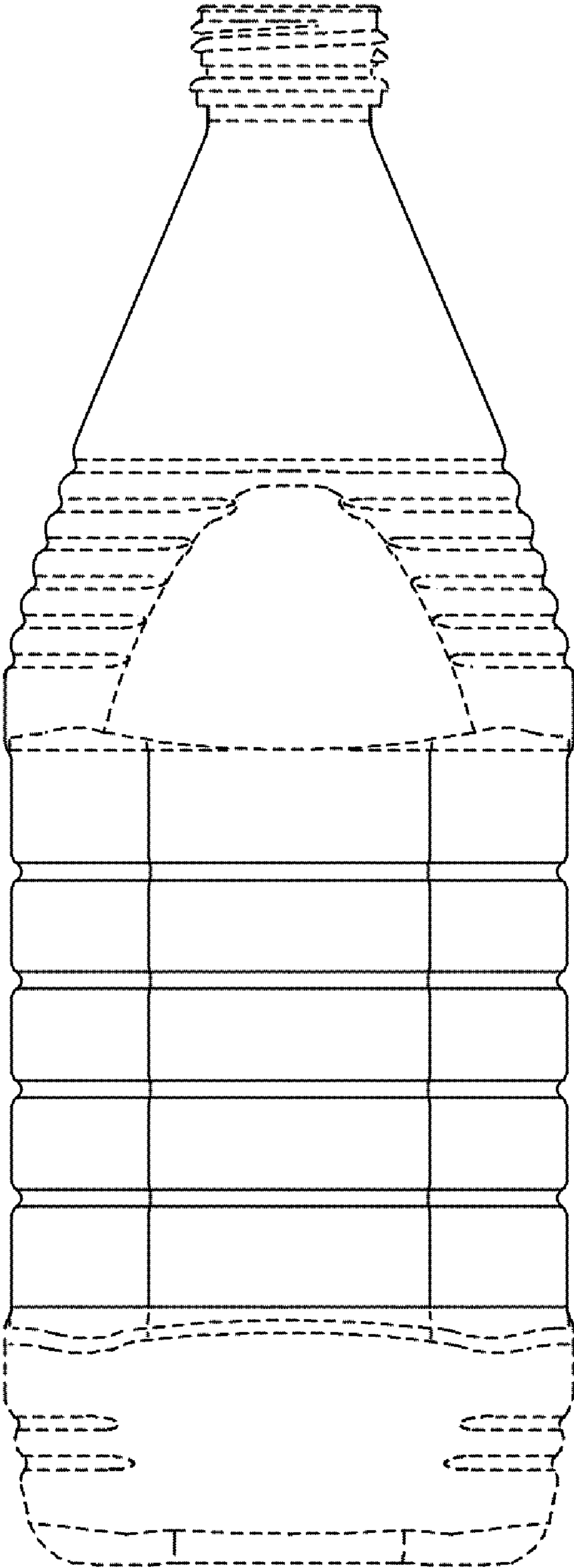


FIG. 4

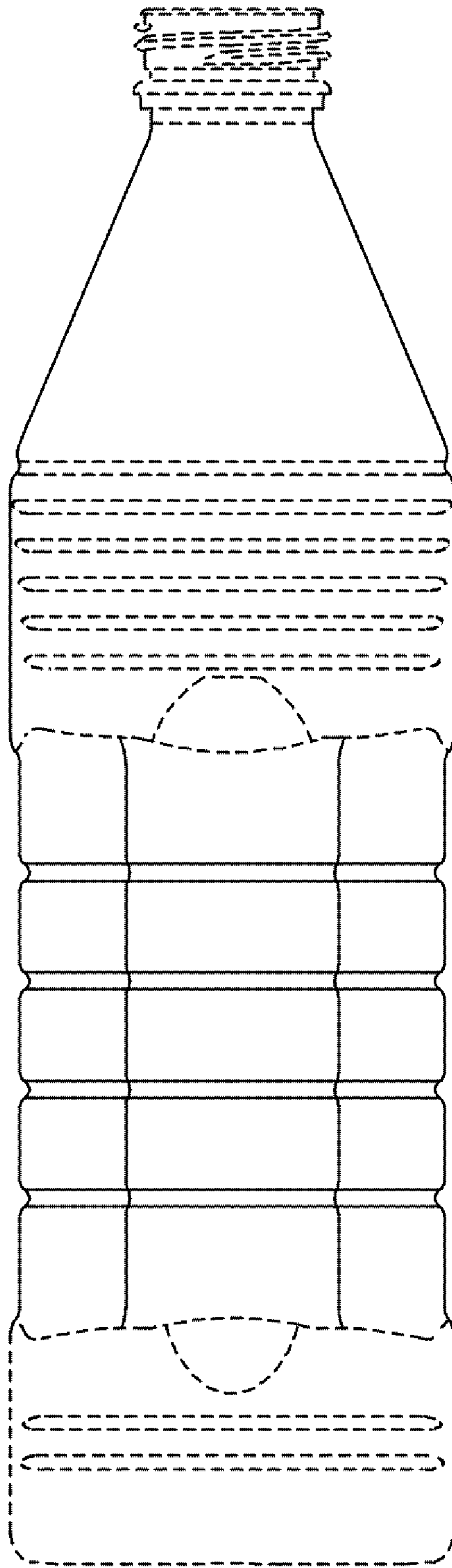


FIG. 5

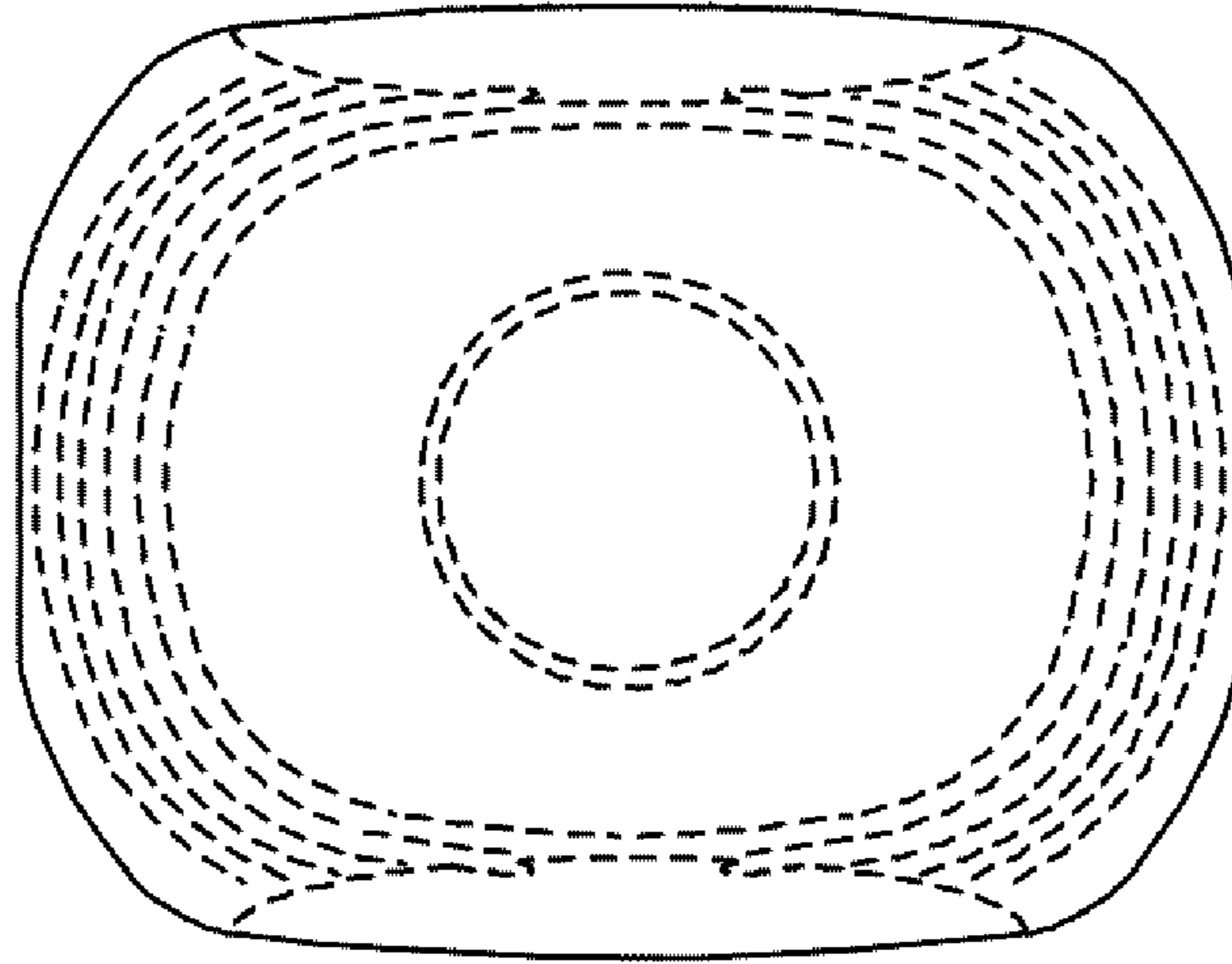


FIG. 6

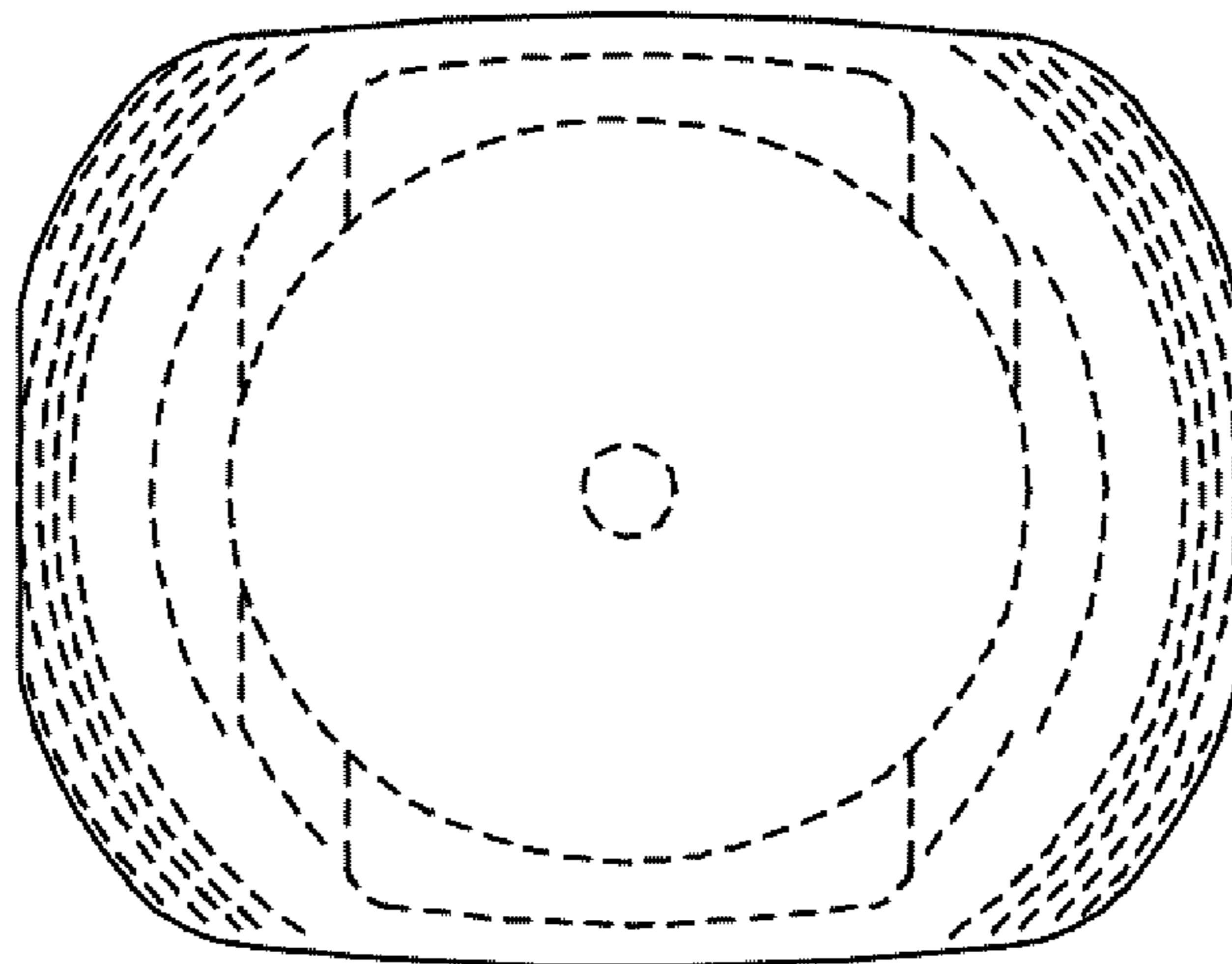


FIG. 7