



US00D618107S

(12) **United States Design Patent**
Zoppas

(10) **Patent No.:** **US D618,107 S**
(45) **Date of Patent:** **** *Jun. 22, 2010**

(54) **BOTTLE**

(75) Inventor: **Enrico Zoppas, Scorze'** (IT)

(73) Assignee: **Acqua Minerale San Benedetto S.p.A.,**
Scorze' (IT)

(*) Notice: This patent is subject to a terminal disclaimer.

(**) Term: **14 Years**

(21) Appl. No.: **29/335,174**

(22) Filed: **Apr. 9, 2009**

Related U.S. Application Data

(62) Division of application No. 29/280,152, filed on May 17, 2007.

(30) **Foreign Application Priority Data**

Nov. 17, 2006 (WO) DM/068 770

(51) **LOC (9) Cl.** **09-01**

(52) **U.S. Cl.** **D9/541; D9/542; D9/560;**
D9/570; D9/574; D9/567

(58) **Field of Classification Search** D9/516,
D9/528, 530, 531, 534, 537-539, 541-543,
D9/549, 551-560, 563-564, 566-571; 215/12.1-12.2,
215/13.1, 381-385, 396-398

See application file for complete search history.

(56) **References Cited**

U.S. PATENT DOCUMENTS

D268,324 S * 3/1983 Gautier D9/560
D300,511 S * 4/1989 Cramer D9/551
D318,229 S * 7/1991 Umetsu D9/531
D340,190 S * 10/1993 Skidmore et al. D9/542
D374,826 S * 10/1996 Mackinson et al. D9/542
D397,941 S * 9/1998 Lauth D9/502
D423,940 S * 5/2000 Chimetto D9/541
D424,948 S * 5/2000 Ullmo D9/540
D435,453 S * 12/2000 Krishnakumar et al. D9/537
D436,043 S * 1/2001 Krishnakumar et al. D9/537

D441,295 S * 5/2001 Krich D9/542
D443,207 S * 6/2001 Krishnakumar et al. D9/537
D443,827 S * 6/2001 Krishnakumar et al. D9/537
D453,686 S * 2/2002 Petursdottir D9/570
D467,507 S * 12/2002 Bryant et al. D9/570
D476,576 S * 7/2003 Hirst et al. D9/539
D503,341 S * 3/2005 Delmotte D9/538
D504,069 S * 4/2005 Gross et al. D9/538
D506,931 S * 7/2005 Delmotte D9/538
D531,910 S * 11/2006 Melrose D9/538
D545,684 S * 7/2007 DeMaso et al. D9/557
D547,667 S * 7/2007 DeMaso et al. D9/557
D554,996 S * 11/2007 Laupie et al. D9/500
D556,594 S * 12/2007 Webb D9/556
D559,695 S * 1/2008 Lesueur D9/538
D576,497 S * 9/2008 Ozer D9/556
D580,271 S * 11/2008 Tsai D9/542

(Continued)

Primary Examiner—Stella M Reid

Assistant Examiner—Keli L Hill

(74) *Attorney, Agent, or Firm*—Hogan & Hartson

(57) **CLAIM**

The ornamental design of a bottle, as shown and described.

DESCRIPTION

FIG. 1 is a first side view of a bottle, embodying my new design;

FIG. 2 is a second side view thereof;

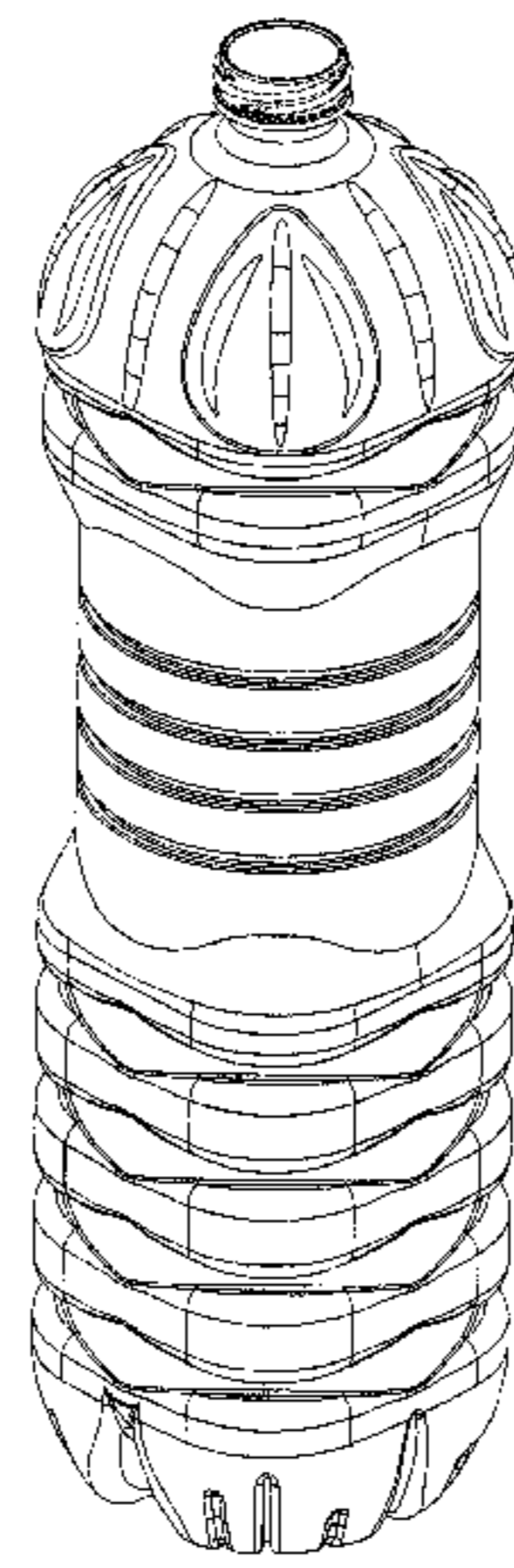
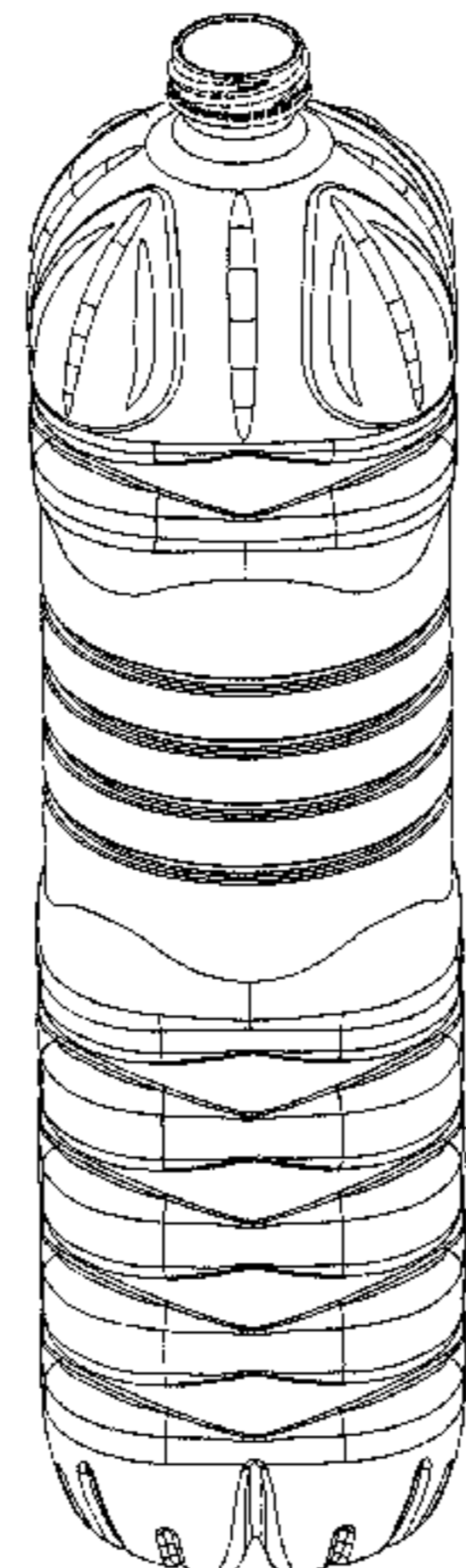
FIG. 3 is a top plan view thereof;

FIG. 4 is a first side perspective view thereof; and,

FIG. 5 is a second side perspective view thereof.

The broken lines represent the portions of the design that form no part of the claim.

1 Claim, 5 Drawing Sheets



US D618,107 S

Page 2

U.S. PATENT DOCUMENTS			
		2008/0073315 A1*	3/2008 Hermel et al. 215/379
		2008/0087628 A1*	4/2008 Bangi et al. 215/384
D582,781 S *	12/2008 Miller	2008/0223816 A1*	9/2008 Darr et al. 215/382
D594,751 S *	6/2009 Bourne	2008/0277374 A1*	11/2008 Miura 215/384
D597,849 S *	8/2009 Aoyagi et al.		

* cited by examiner

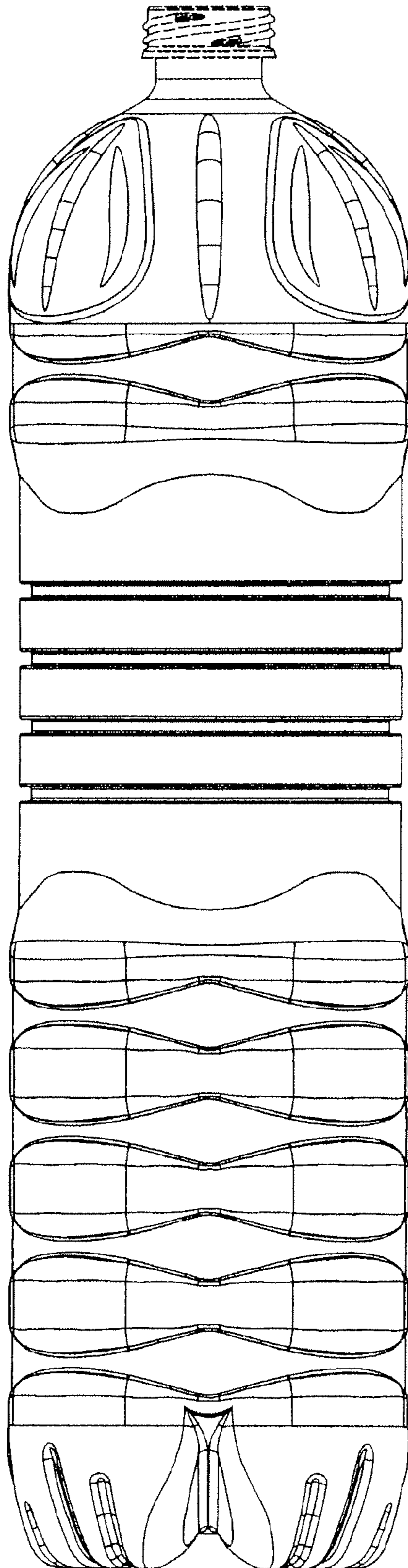


Fig. 1

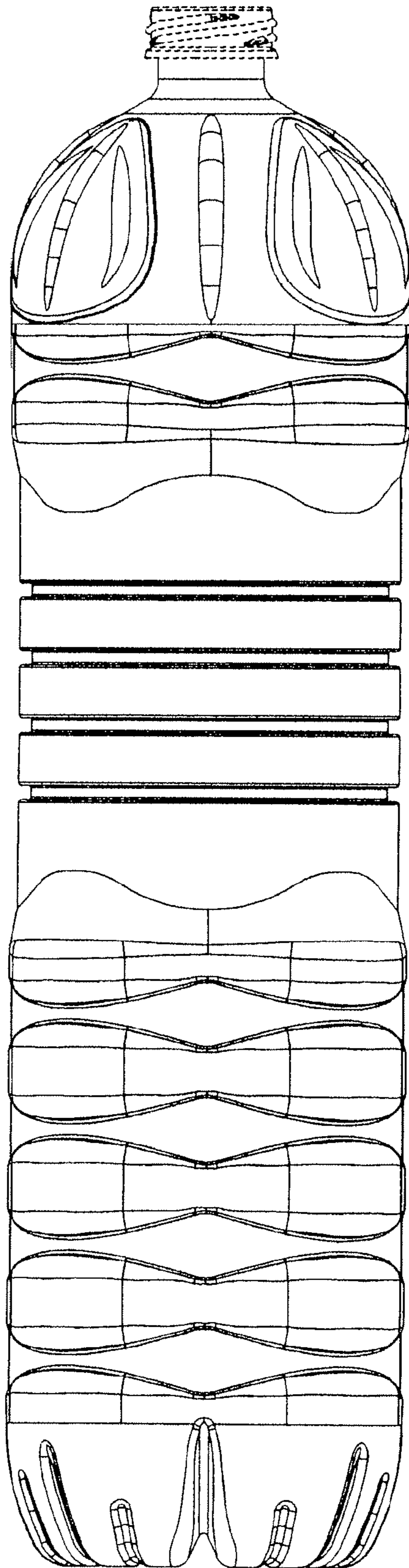


Fig.2

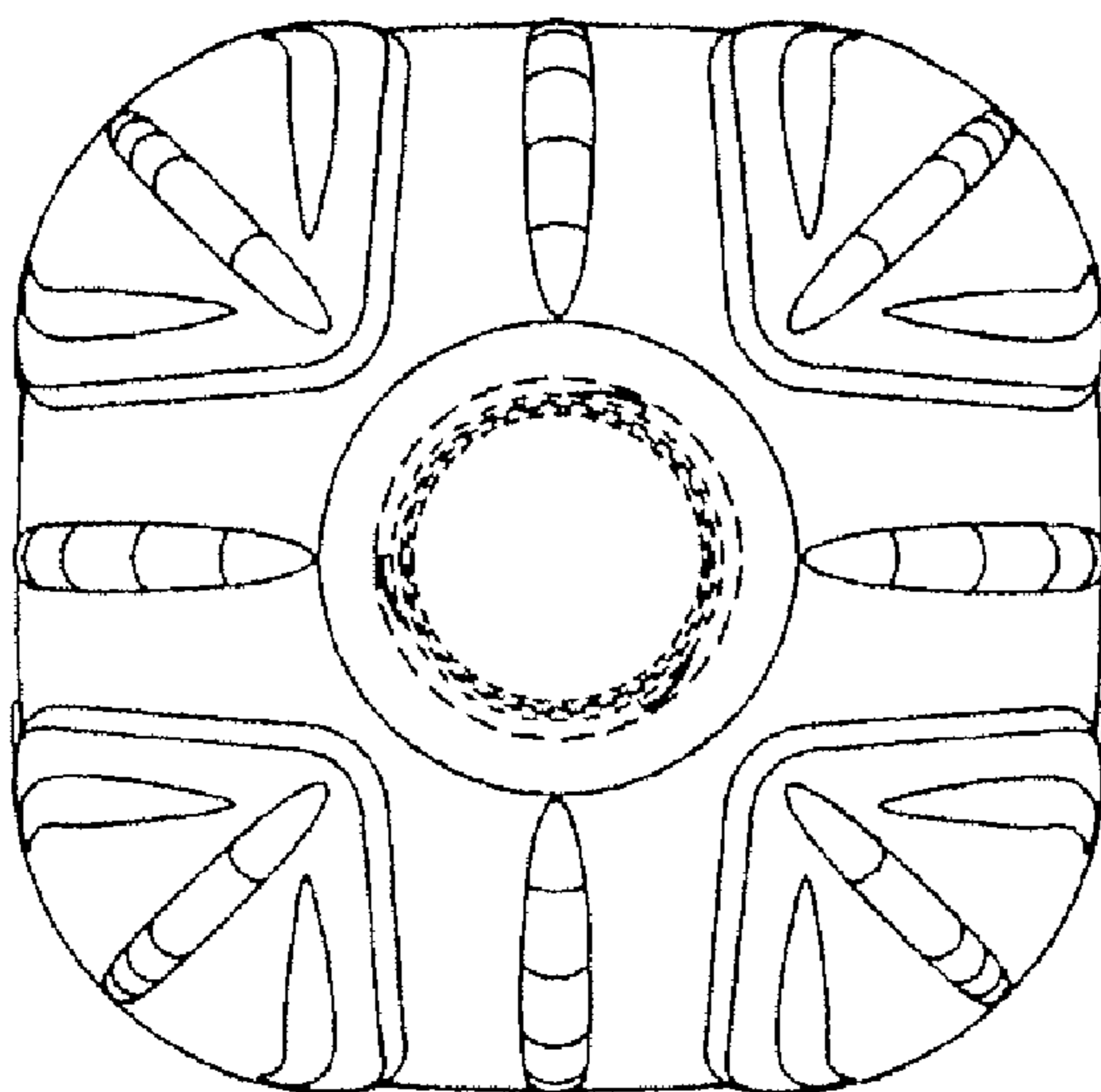


Fig. 3

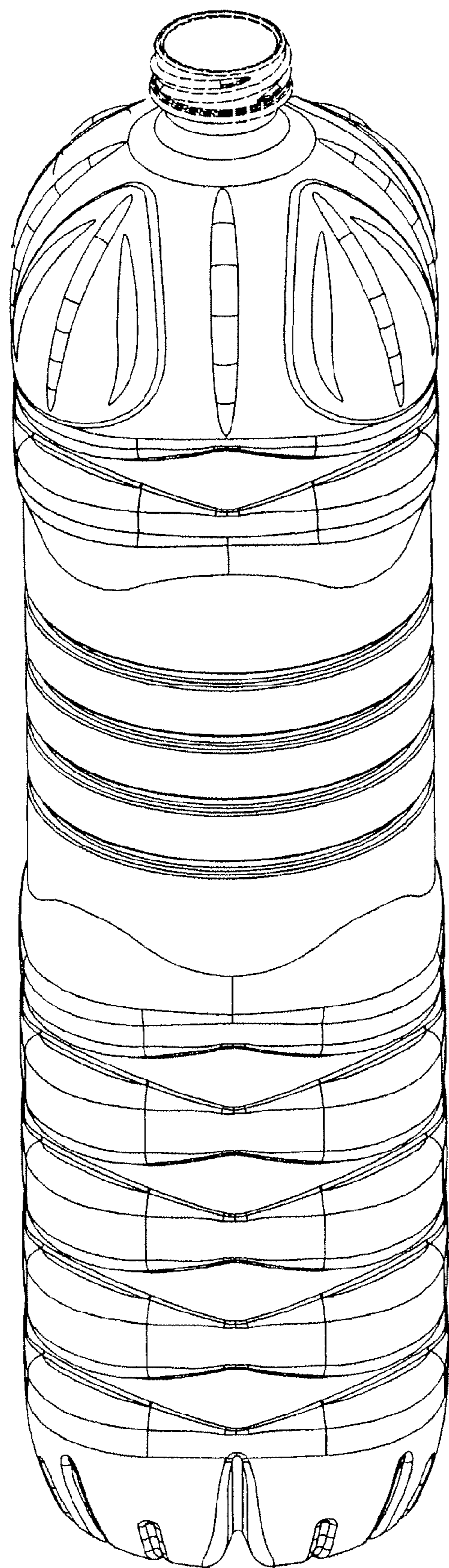


Fig. 4

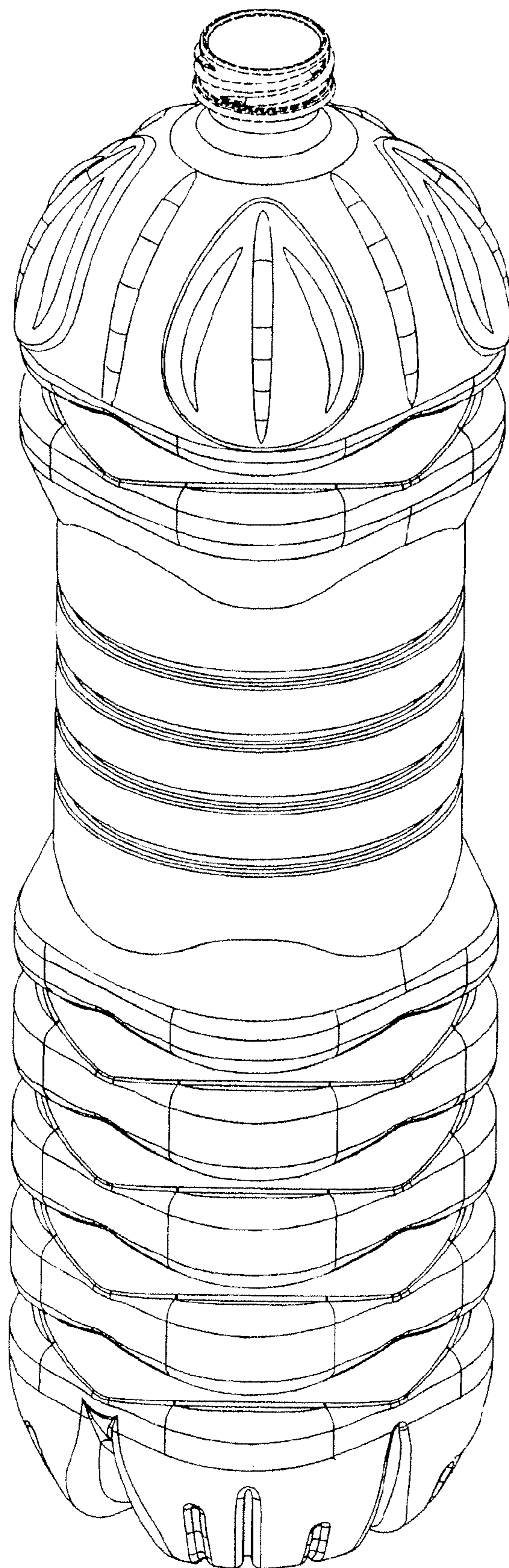


Fig. 5