



US00D618103S

(12) **United States Design Patent**
Leventhal

(10) **Patent No.:** **US D618,103 S**
(45) **Date of Patent:** **** Jun. 22, 2010**

(54) **CONTAINER**

(75) Inventor: **James M. Leventhal**, Boston, MA (US)

(73) Assignee: **Clio Designs Incorporated**, Watertown, MA (US)

(**) Term: **14 Years**

(21) Appl. No.: **29/338,278**

(22) Filed: **Jun. 8, 2009**

(51) **LOC (9) Cl.** **09-01**

(52) **U.S. Cl.** **D9/517; D9/719; D9/521; D9/551**

(58) **Field of Classification Search** D9/500–505, D9/682, 688, 690, 691, 693, 695, 698, 715, D9/716, 719, 723–726, 730, 733, 516, 517, D9/520, 521, 529, 548, 549, 414, 417, 434–436, D9/447–450; 215/200, 227, 228, 306, 376, 215/377, 379, 382–385, 386, 390, 395, 399; 220/483, 200, 212, 379, 628, 630, 631, 660, 220/669, 676, 694, 735, 737, 740, 744, 751; 248/683, 688

See application file for complete search history.

(56) **References Cited**

U.S. PATENT DOCUMENTS

632,321 A * 9/1899 Olney 211/74
1,938,181 A * 12/1933 Holmes 222/181.2
2,736,468 A * 2/1956 Hills 222/180
3,424,218 A * 1/1969 Vanderburg, Jr. et al. 215/247
3,847,295 A * 11/1974 Taylor 215/44
4,749,104 A * 6/1988 Chao 222/78
4,796,766 A * 1/1989 Clark 215/370
4,930,668 A * 6/1990 Krall 222/212
D342,028 S * 12/1993 Stenger D9/521

D425,422 S * 5/2000 David D9/503
6,095,374 A * 8/2000 Ricard et al. 222/173
6,491,187 B2 * 12/2002 Walters 222/185.1
6,808,090 B2 * 10/2004 Pedersen 222/181.3
6,962,272 B2 * 11/2005 LeBlond 222/180
D574,711 S * 8/2008 Lederman et al. D9/521
D594,332 S * 6/2009 Nerubay D9/501
2007/0012727 A1 * 1/2007 Licari 222/167
2008/0035602 A1 * 2/2008 Gooden et al. 215/383

FOREIGN PATENT DOCUMENTS

CH 682068 A5 * 7/1993
GB 3018615 * 12/2004
WO WO 9427479 A1 * 12/1994
WO WO 2007053632 A2 * 5/2007

* cited by examiner

Primary Examiner—Catherine Tuttle

(74) *Attorney, Agent, or Firm*—Mintz Levin Cohn Ferris Glovsky and Popeo, P.C.

(57) **CLAIM**

The ornamental design for a container, as shown and described.

DESCRIPTION

FIG. 1 is a top plan view of a container showing the new design;

FIG. 2 is a front perspective view of the container;

FIG. 3 is a rear perspective view of the container;

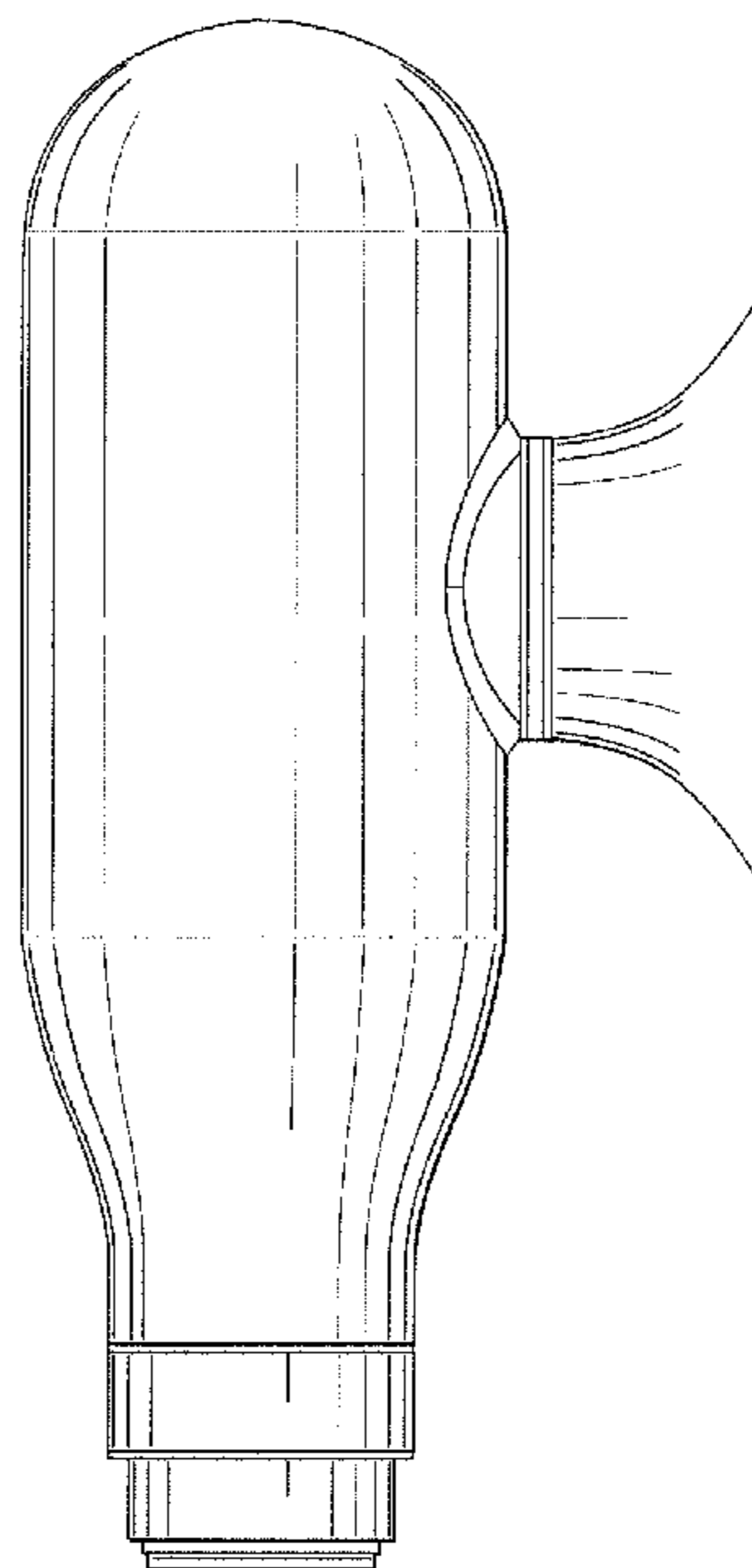
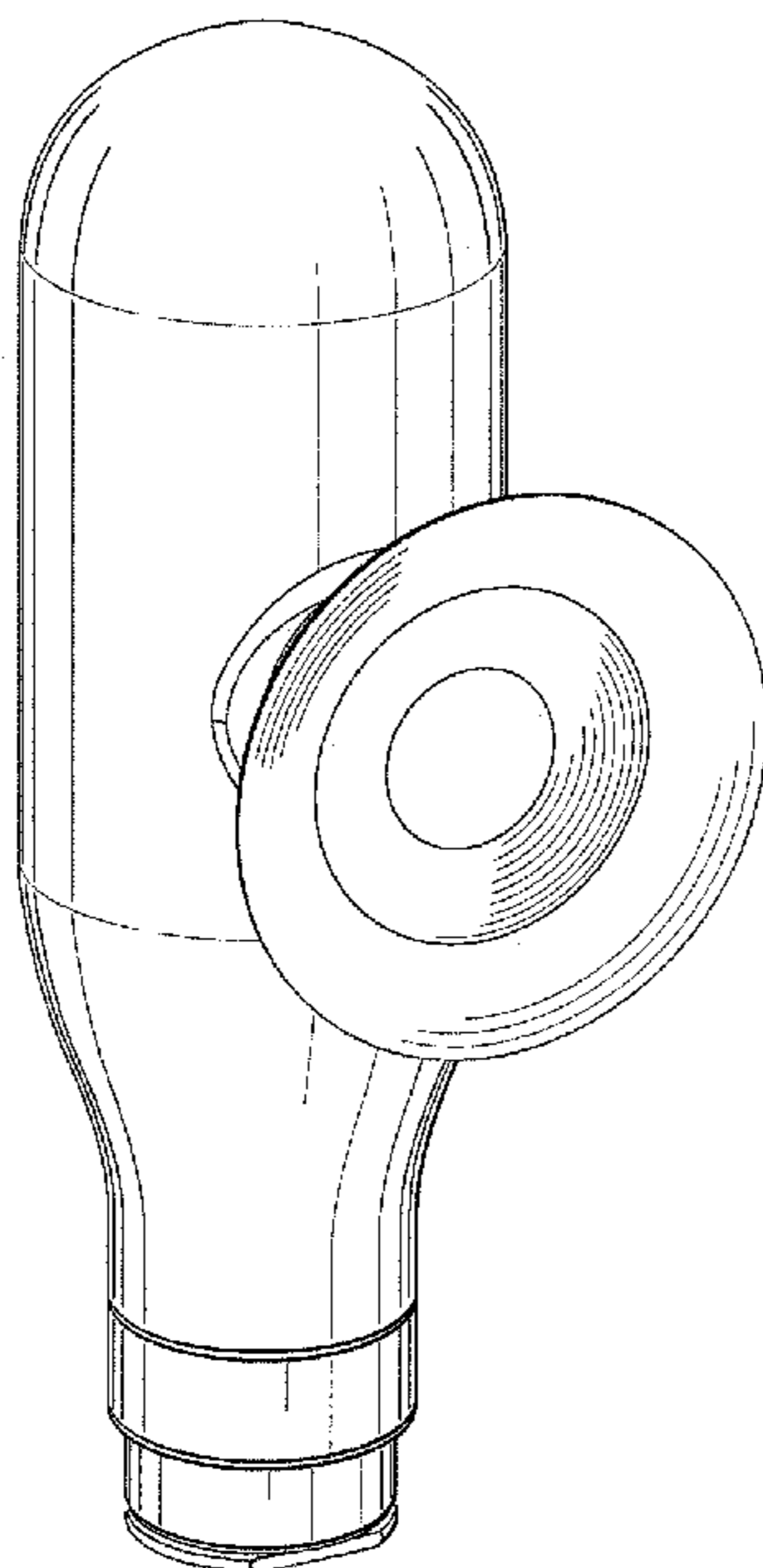
FIG. 4 is a front elevational view of the container;

FIG. 5 is a left side elevational view of the container;

FIG. 6 is a right side elevational view of the container; and,

FIG. 7 is a bottom plan view of the container.

1 Claim, 7 Drawing Sheets



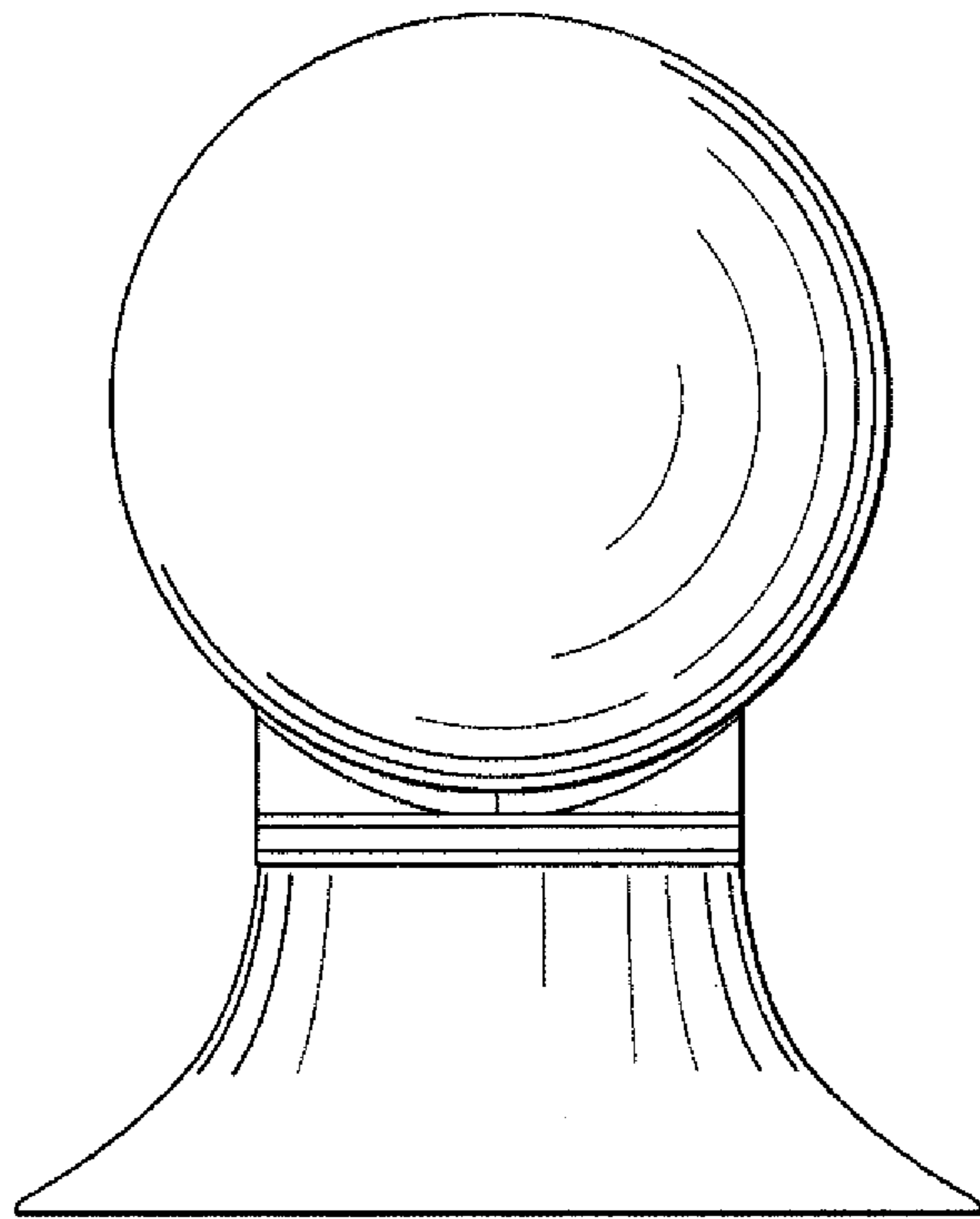


Fig. 1

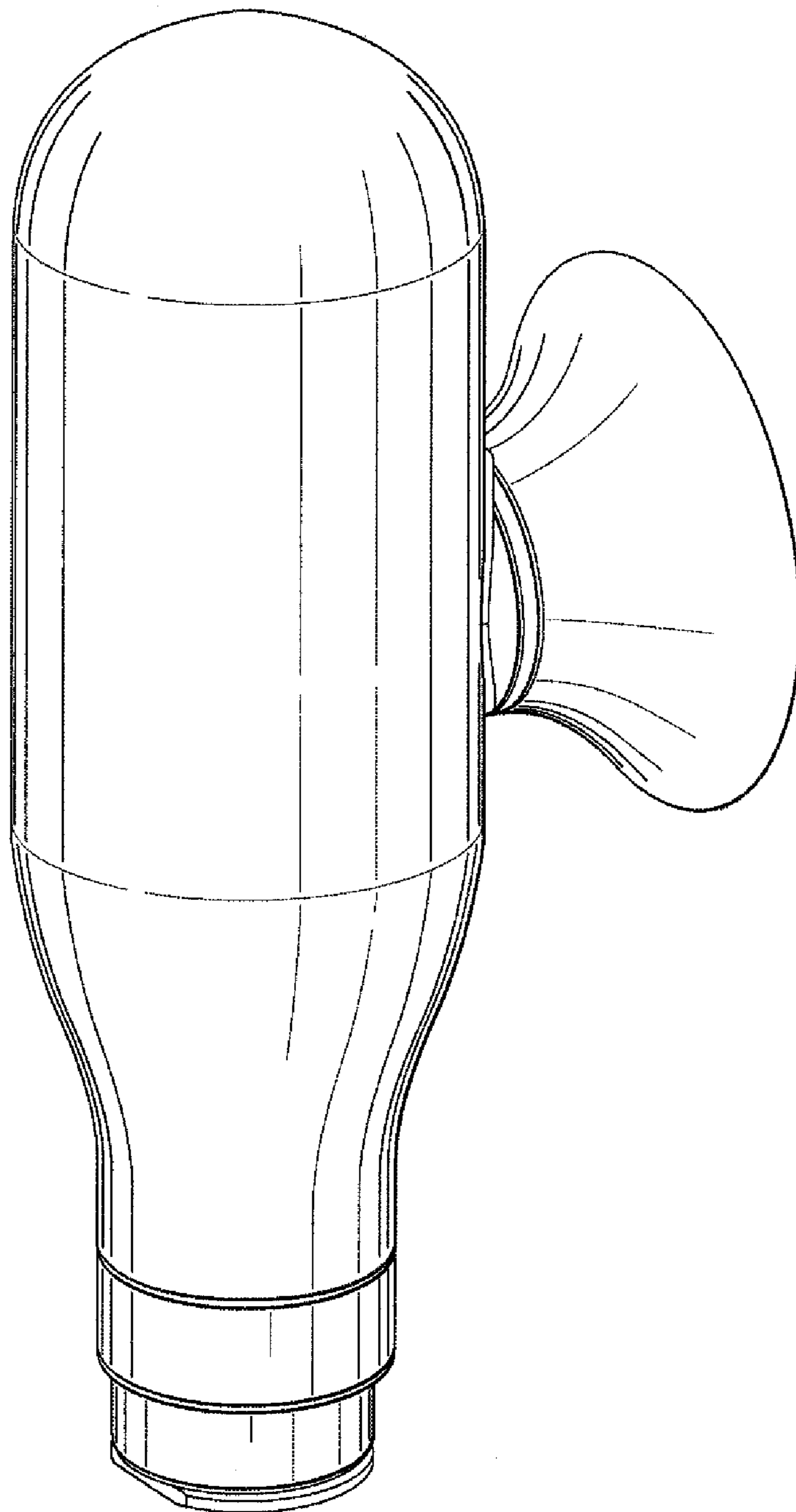


Fig. 2

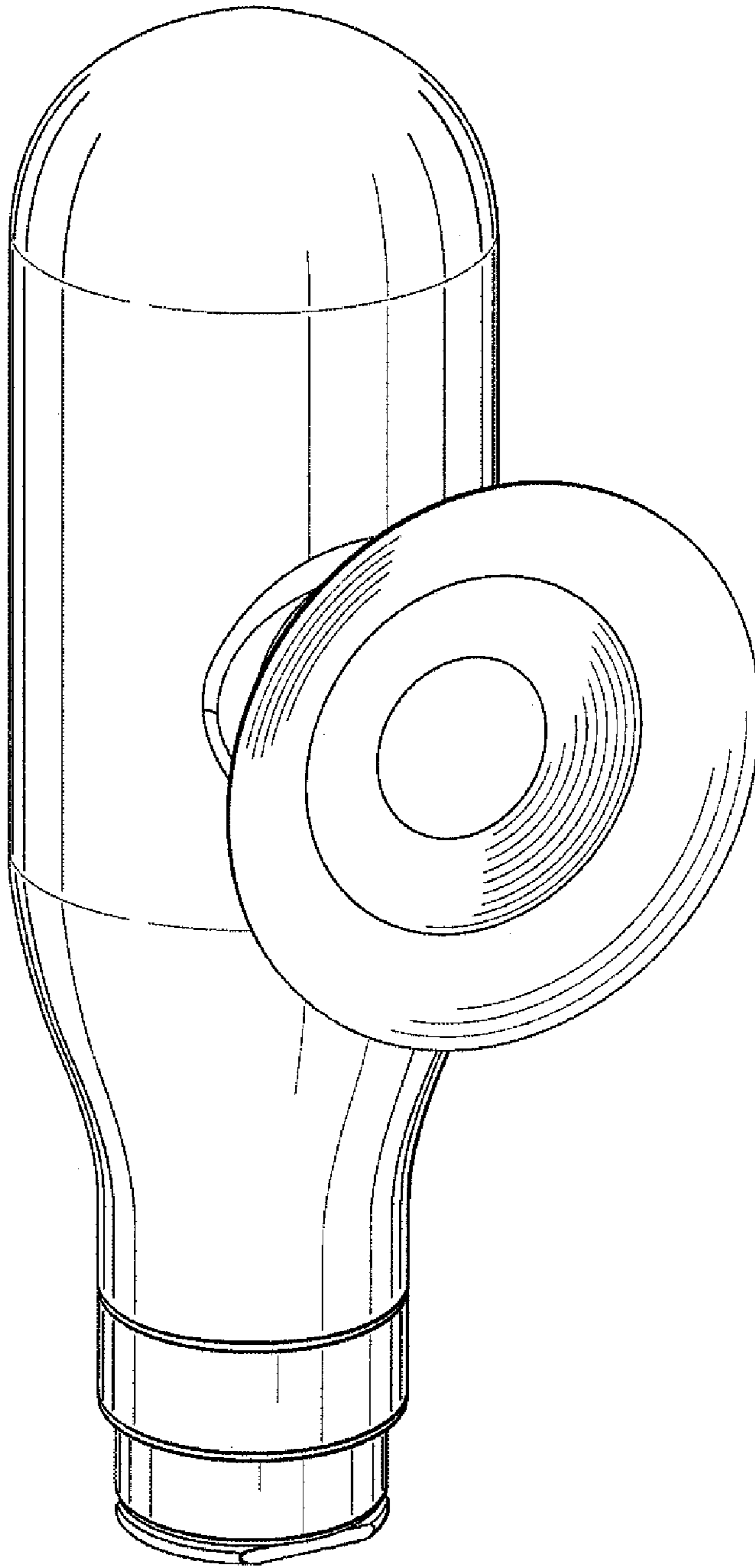


Fig. 3

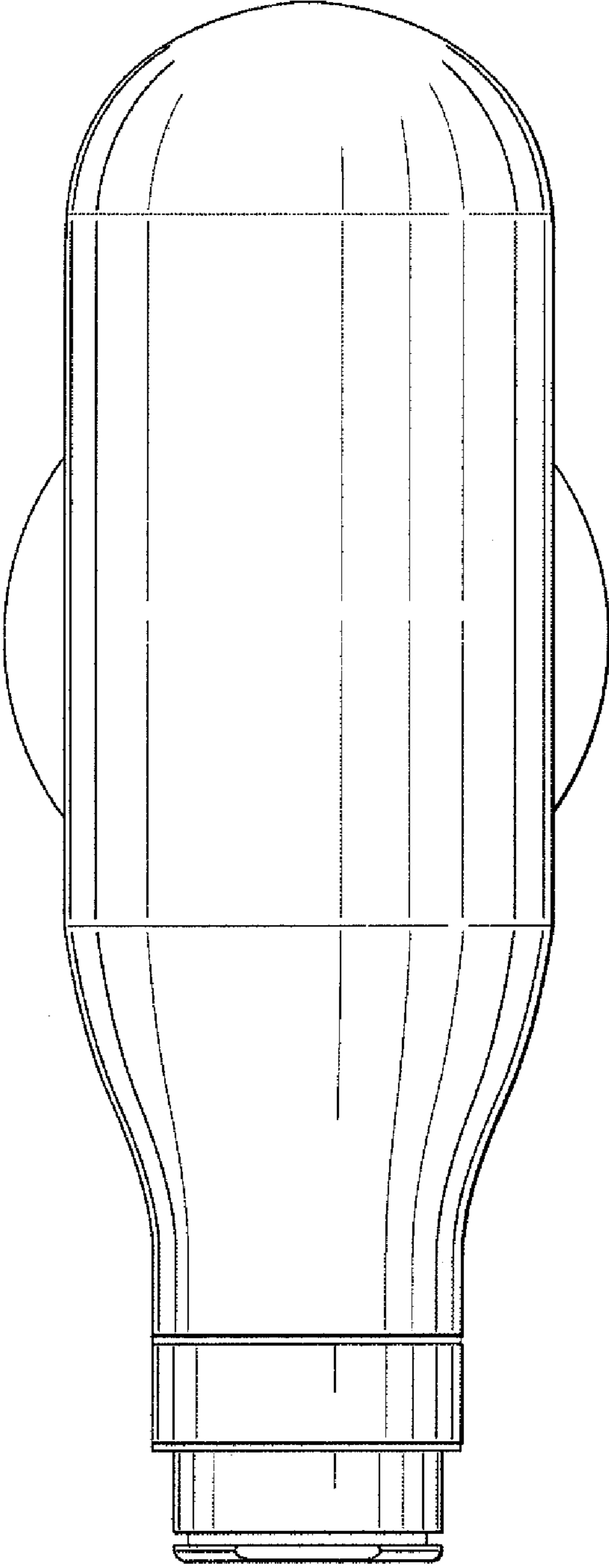


Fig. 4

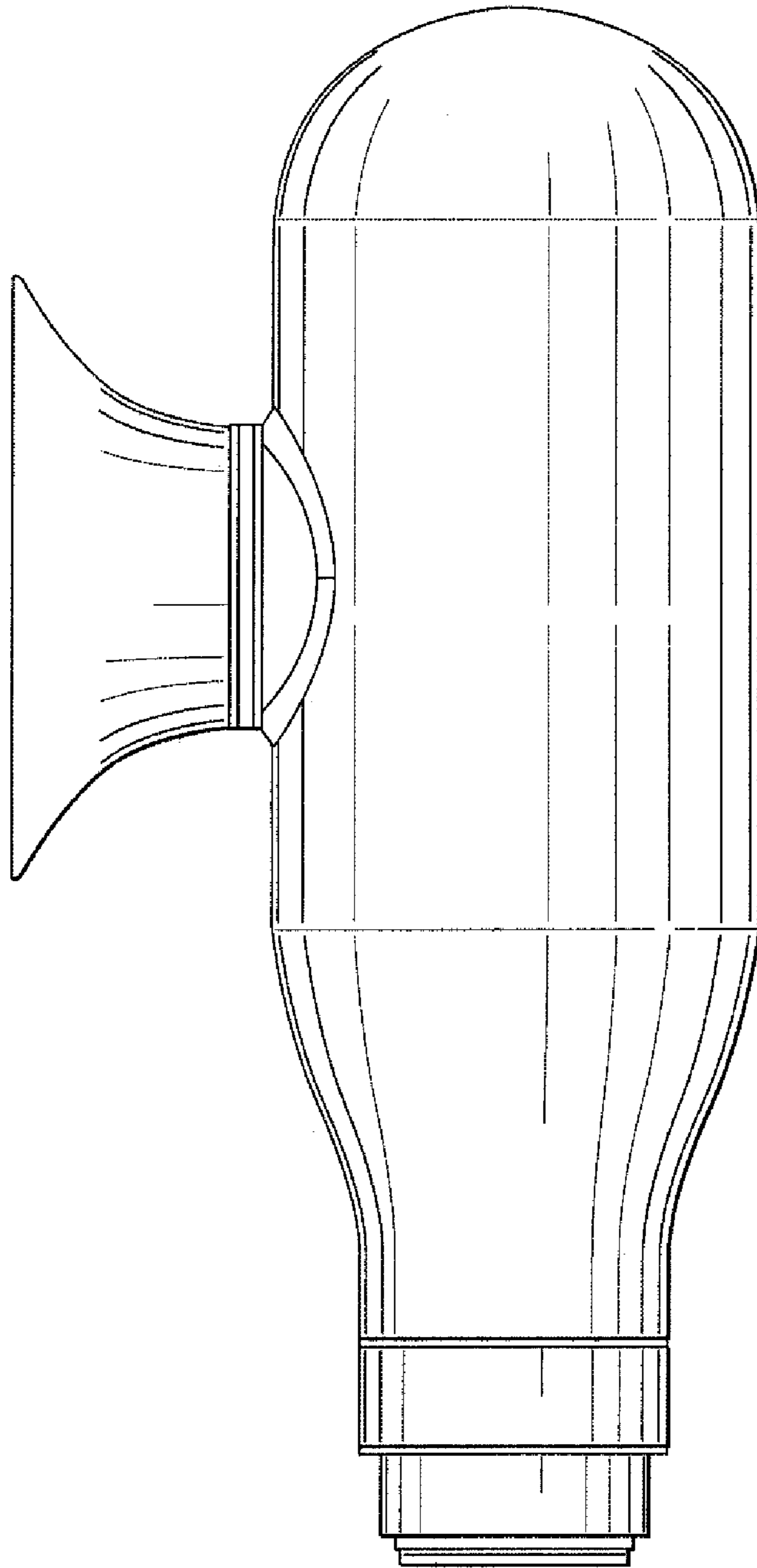


Fig. 5

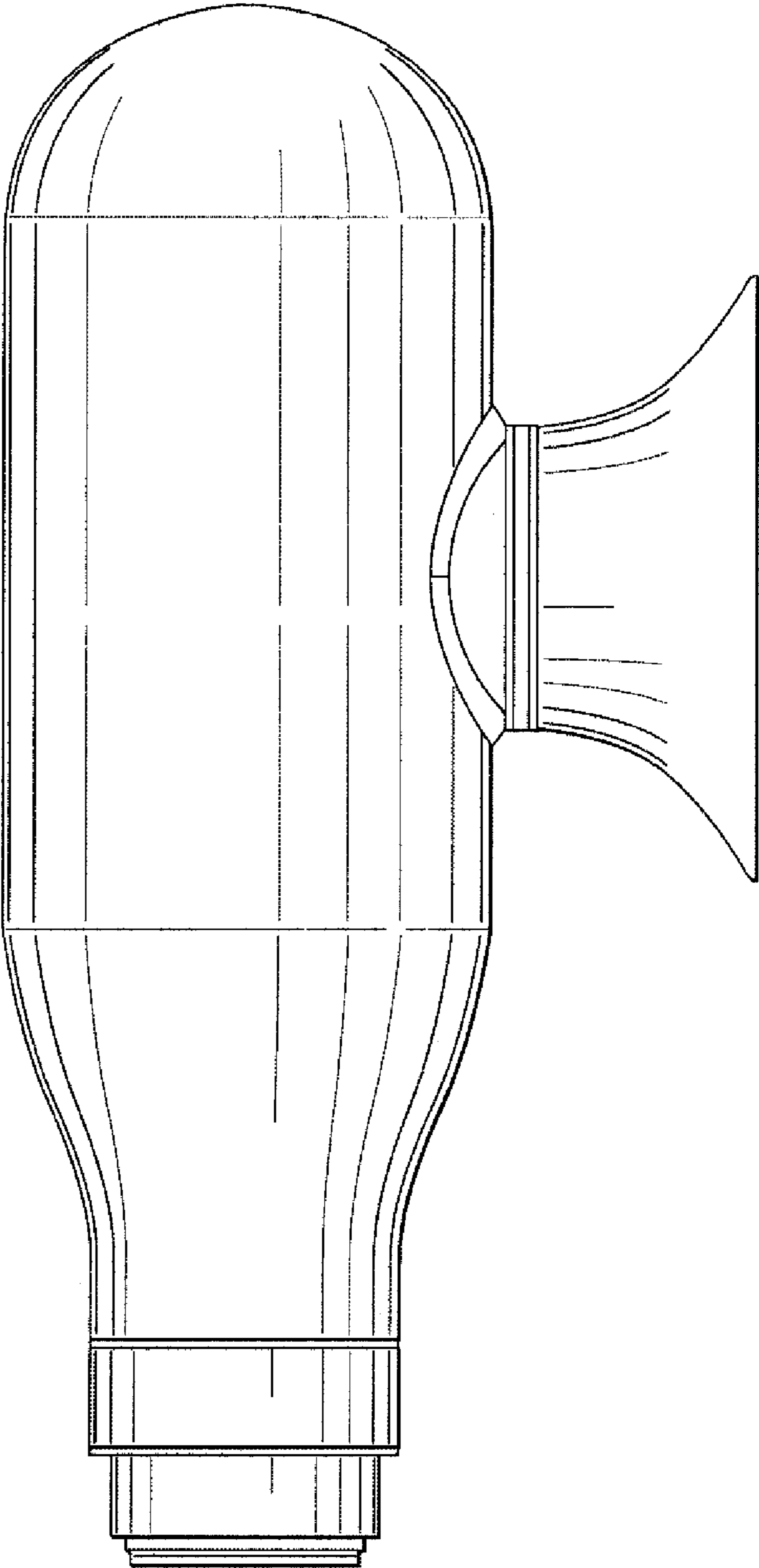


Fig. 6

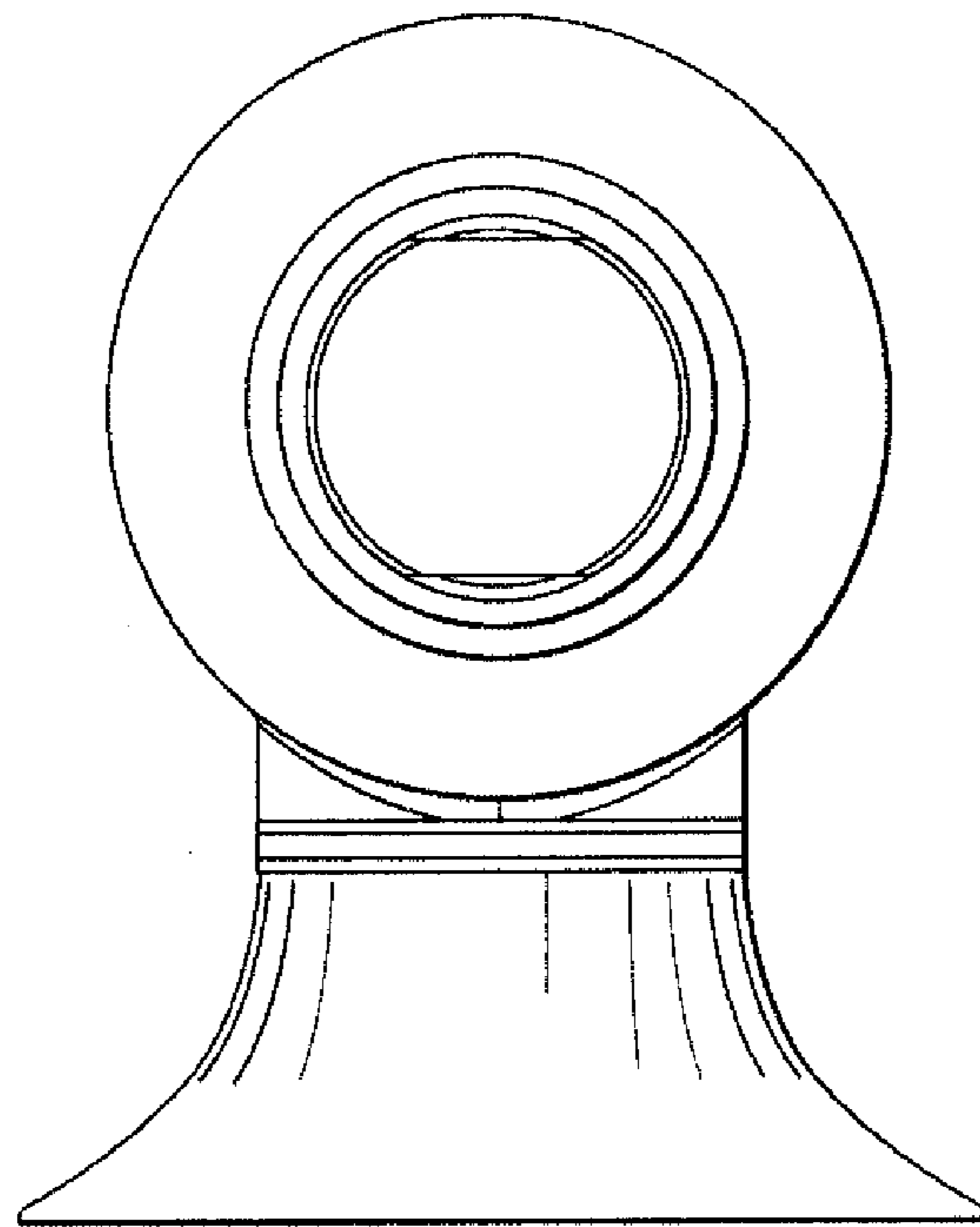


Fig. 7