



US00D618099S

(12) **United States Design Patent**
Biesecker et al.

(10) **Patent No.:** **US D618,099 S**
(45) **Date of Patent:** **** Jun. 22, 2010**

(54) **BOTTLE CAP**

(75) Inventors: **Frederick N. Biesecker**, Boyertown, PA (US); **William G. Knestrick, III**, Macungie, PA (US)

(73) Assignee: **Drug Plastics & Glass Company, Inc.**, Boyertown, PA (US)

(**) Term: **14 Years**

(21) Appl. No.: **29/343,421**

(22) Filed: **Sep. 11, 2009**

(51) **LOC (9) Cl.** **09-07**

(52) **U.S. Cl.** **D9/452; D9/453**

(58) **Field of Classification Search** D9/708, D9/709, 705, 629, 454, 453, 452, 451, 447, D9/445, 443, 439, 438, 435; D7/571, 567, D7/354; D24/224, 197; 222/566, 525; 220/288; 215/329, 328, 256, 252, 238, 222; 116/308
See application file for complete search history.

(56) **References Cited**

U.S. PATENT DOCUMENTS

1,426,209	A	8/1922	Newland	
1,580,544	A	4/1926	Spengler	
2,218,308	A	10/1940	Corner	
3,170,588	A	2/1965	Lyon, Sr.	
3,782,575	A	1/1974	Braun	
3,825,143	A	7/1974	Julian	
3,853,237	A	12/1974	Marchant	
3,934,745	A	1/1976	Lovell	
4,180,178	A	12/1979	Turner	
4,500,006	A	2/1985	Lafortune et al.	
D298,608	S *	11/1988	Dewing	D9/452
D311,868	S *	11/1990	Armstrong	D9/453
D327,849	S *	7/1992	Armstrong	D9/453

D361,265	S	8/1995	Doxey	
5,597,096	A	1/1997	Jeppesen et al.	
D409,490	S	5/1999	Page	
6,024,246	A	2/2000	Huang	
D448,669	S	10/2001	Carducci et al.	
D457,433	S	5/2002	Costanzo et al.	
D481,946	S *	11/2003	Nicholson et al.	D9/436
D544,348	S	6/2007	Szczesniak	
D563,785	S	3/2008	Maki et al.	
D565,027	S *	3/2008	Fosbrink	D14/207
D605,038	S *	12/2009	Olive-Bartres et al.	D9/453

OTHER PUBLICATIONS

Life Savers Container, as shown in photos labeled Figs 1-8.

* cited by examiner

Primary Examiner—Susan Bennett Hattan

(74) *Attorney, Agent, or Firm*—Panitch Schwarze Belisario & Nadel LLP

(57) **CLAIM**

The ornamental design for bottle cap, as shown and described.

DESCRIPTION

FIG. 1 is a top perspective view of our bottle cap in accordance with our new design;

FIG. 2 is a top plan view thereof;

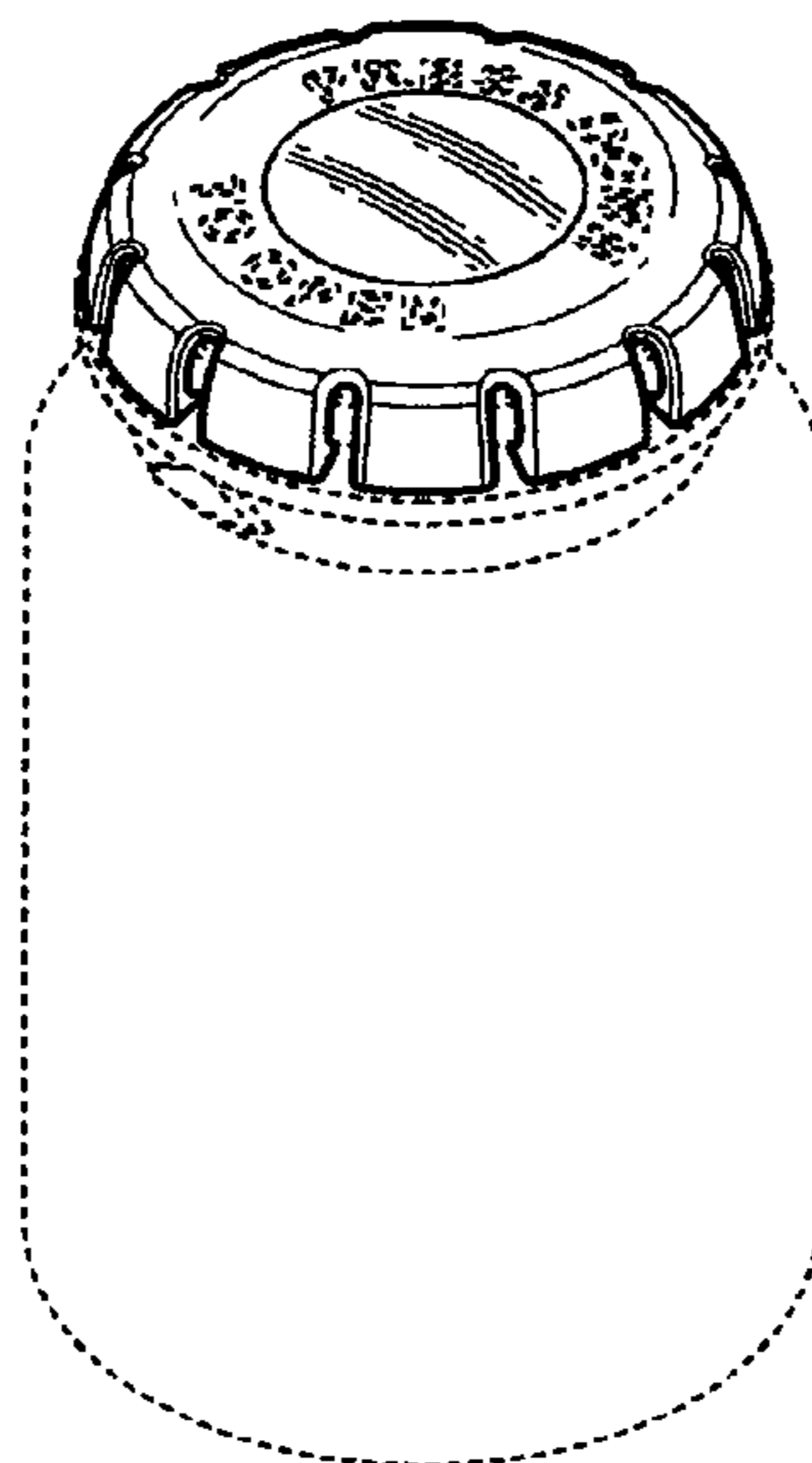
FIG. 3 is a bottom plan view thereof;

FIG. 4 is a front view thereof, with rear, left-side elevational and right side elevational views being identical; and,

FIG. 5 a cross-sectional view taken along the diametrical line 5—5 of FIG. 2.

The broken lines in the figures are for illustrative purposes only and form no part of the claimed design.

1 Claim, 1 Drawing Sheet



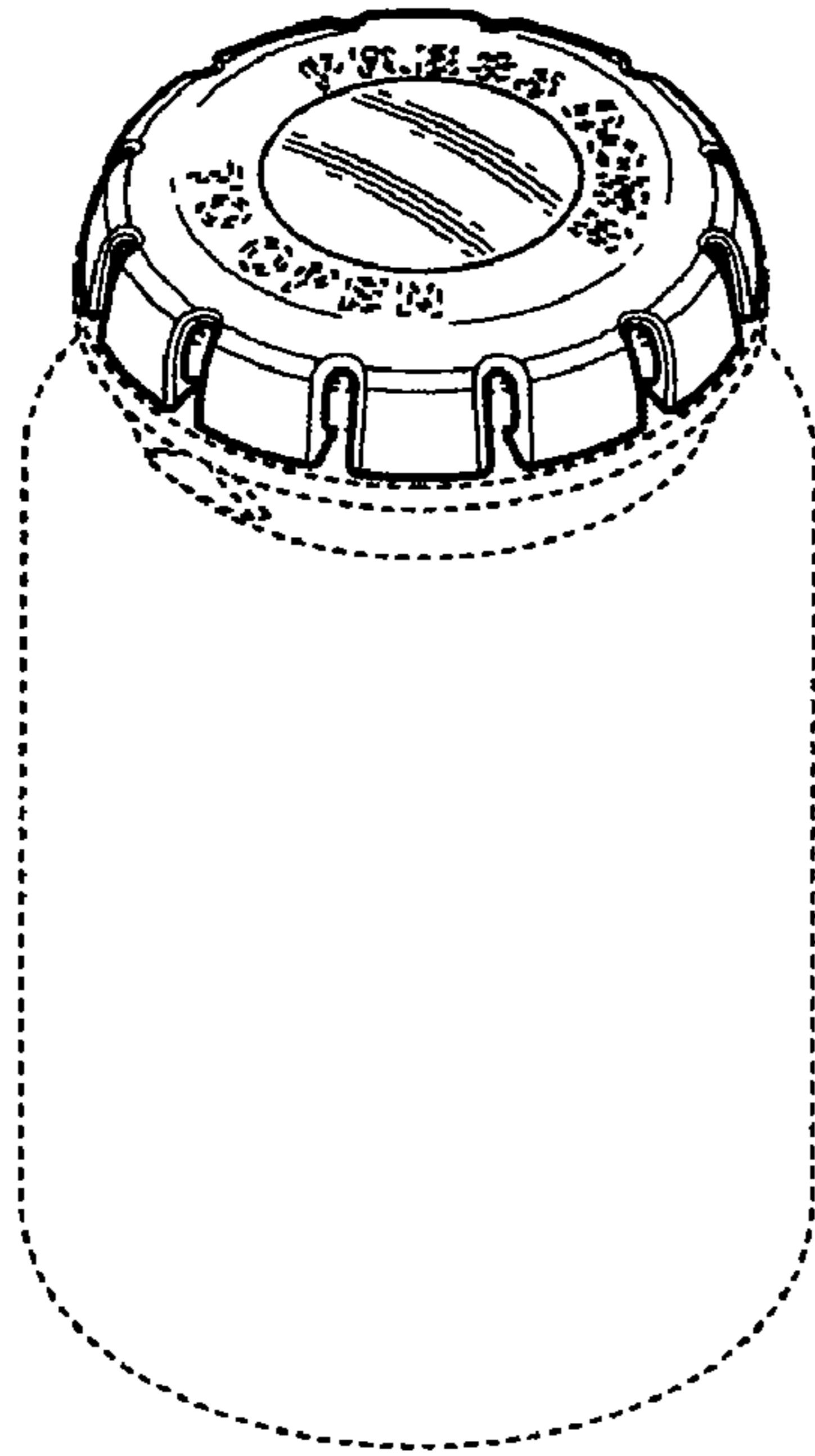


FIG. 1

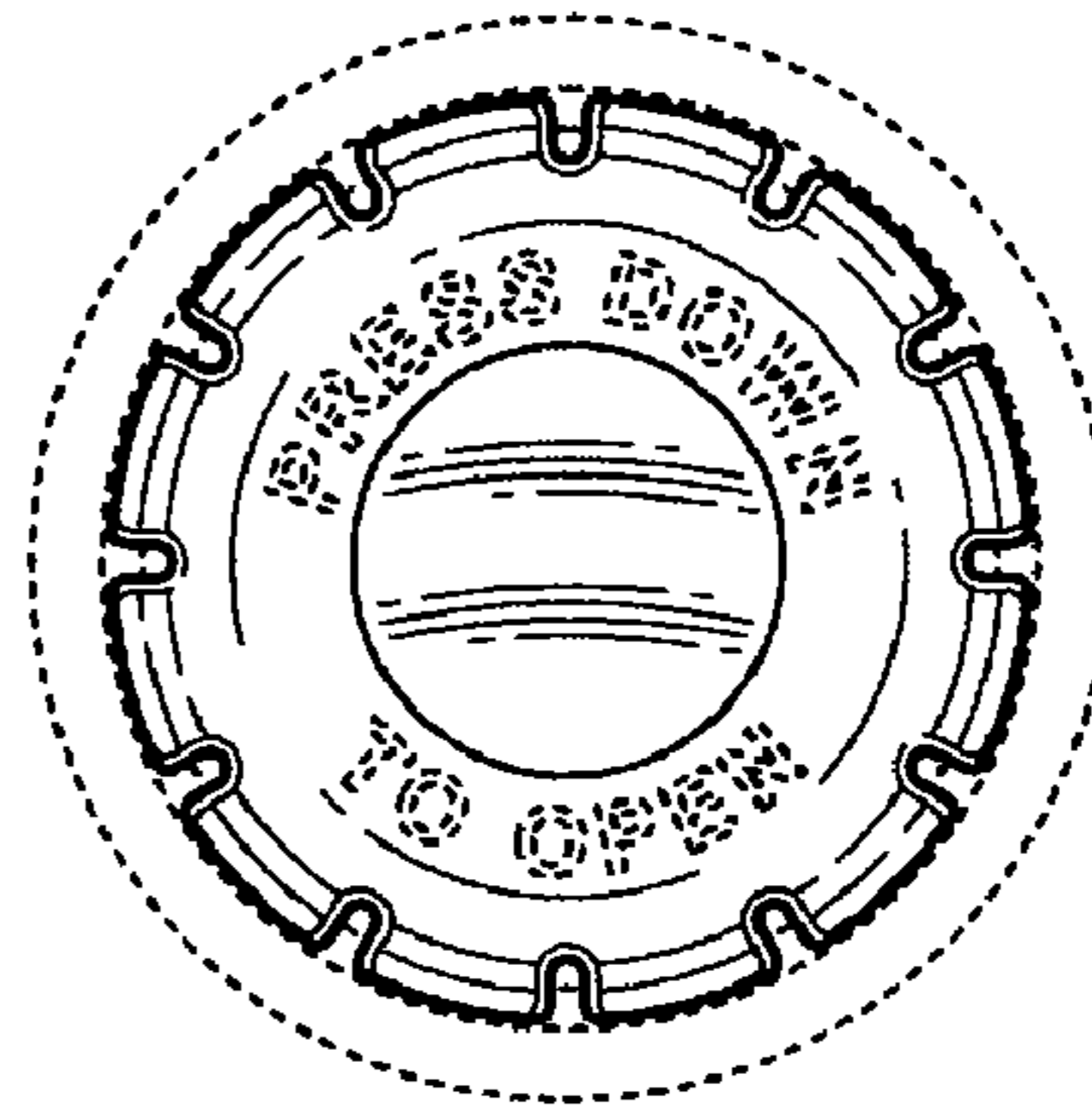


FIG. 2

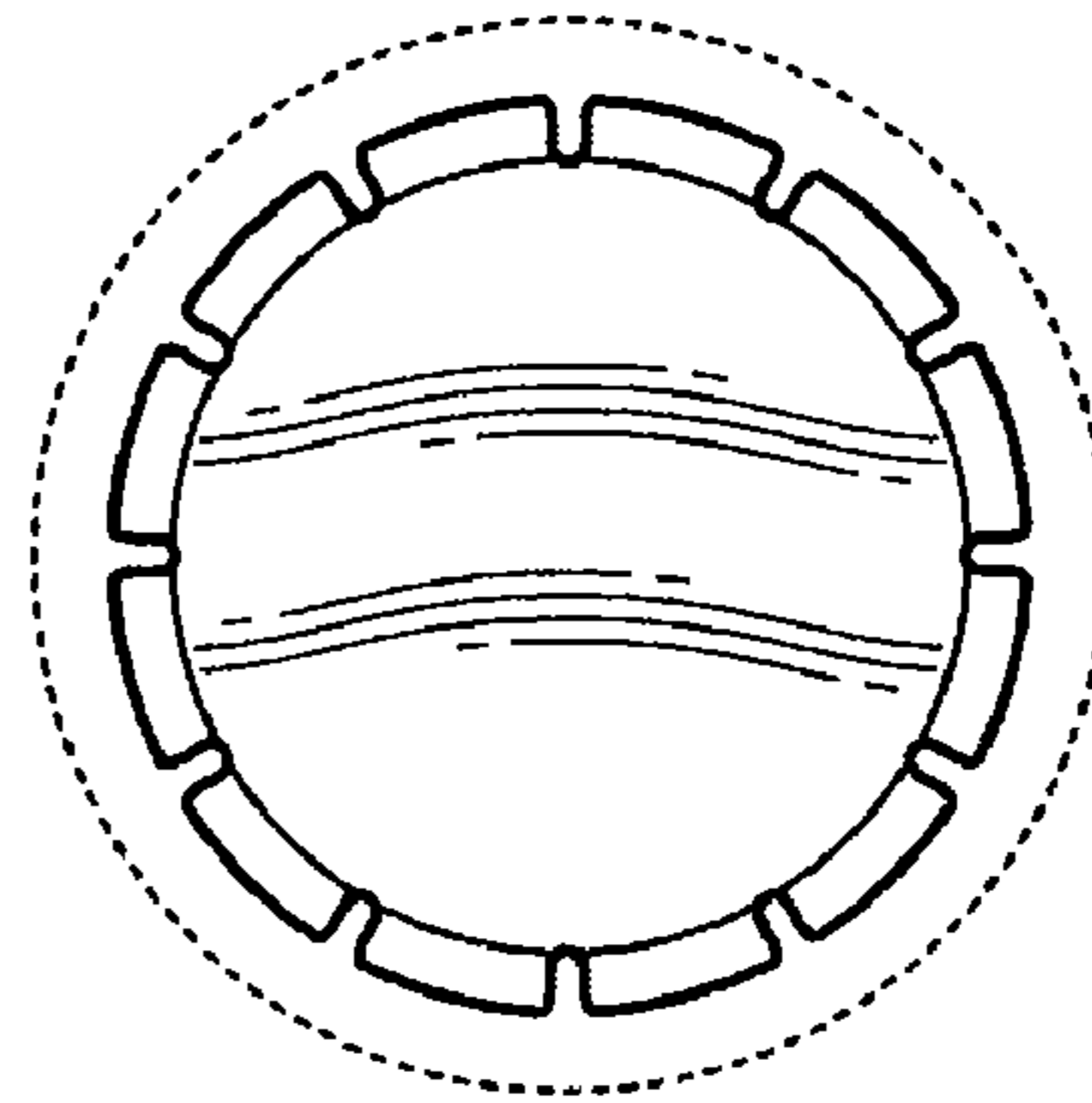


FIG. 3

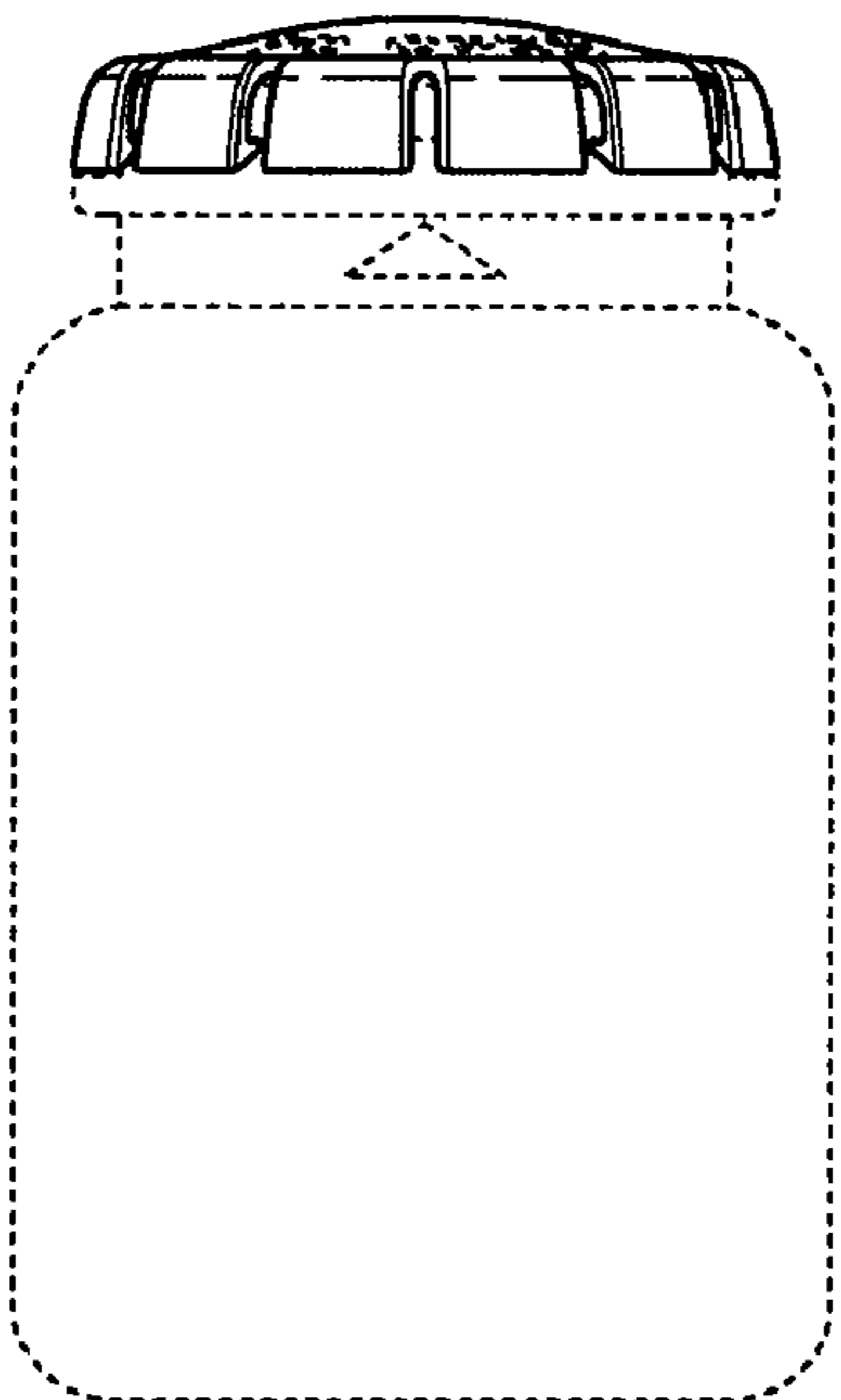


FIG. 4

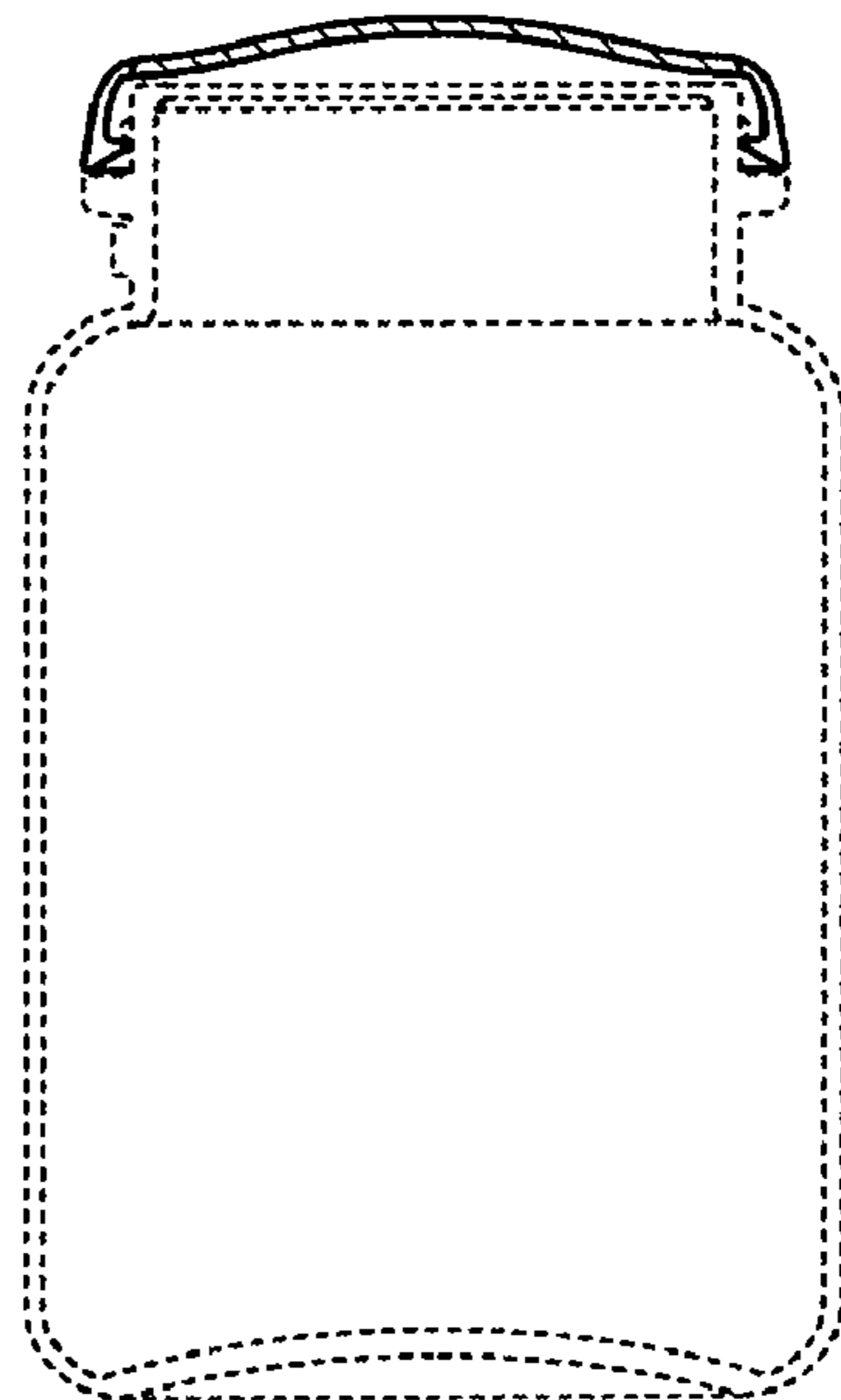


FIG. 5