



US00D618097S

(12) **United States Design Patent**
Getsy

(10) **Patent No.:** **US D618,097 S**
(45) **Date of Patent:** **** Jun. 22, 2010**

(54) **BAG HANDLE**

(75) Inventor: **Stephen B. Getsy**, Bridgeville, PA (US)

(73) Assignee: **Silgan Plastics Corporation**, Norcross, GA (US)

(**) Term: **14 Years**

(21) Appl. No.: **29/352,116**

(22) Filed: **Dec. 16, 2009**

Related U.S. Application Data

(62) Division of application No. 29/340,079, filed on Jul. 13, 2009, now Pat. No. Des. 608,637.

(51) **LOC (9) Cl.** **09-07**

(52) **U.S. Cl.** **D9/434**

(58) **Field of Classification Search** D9/705,
D9/635, 520, 517, 516, 456, 455, 454, 452,
D9/444, 445, 438, 436, 435, 434, 433, 432,
D9/416.499; D26/51; 428/138; 362/101;
229/404, 128, 110, 103.3; 220/630; 206/776,
206/755, 754, 583, 522, 453, 390, 232; D7/509,
D7/511, 396.2, 624.2, 602

See application file for complete search history.

(56) **References Cited**

U.S. PATENT DOCUMENTS

D222,239 S * 10/1971 Chan D9/434
D242,764 S * 12/1976 Kamins D9/434
D290,935 S * 7/1987 Williams D9/434
D409,913 S * 5/1999 Le Roux D9/434
D412,116 S * 7/1999 DuCorday D9/443

D430,030 S * 8/2000 DuCorday D9/443
D430,490 S * 9/2000 DuCorday D9/443
D447,413 S * 9/2001 DuCorday D9/443
D608,637 S 1/2010 Getsy

OTHER PUBLICATIONS

Seven Pages Pictures of Bag Handles and Bags Believed To Be Sold by At Least 2004, Submitted by the Applicant With the Parent Application.*

Notice of Allowance for U.S. Appl. No. 29/340,079, mailed Oct. 13, 2009, 17 pages.

Office Action for U.S. Appl. No. 29/340,079, mailed Aug. 26, 2009, 5 pages.

* cited by examiner

Primary Examiner—Susan Bennett Hattan

(74) *Attorney, Agent, or Firm*—Foley & Lardner LLP

(57) **CLAIM**

We claim the ornamental design for a bag handle, as shown and described.

DESCRIPTION

FIG. 1 is a top perspective view of the claimed design;

FIG. 2 is a bottom perspective view of the design shown in FIG. 1;

FIG. 3 is a front view of the design shown in FIG. 1;

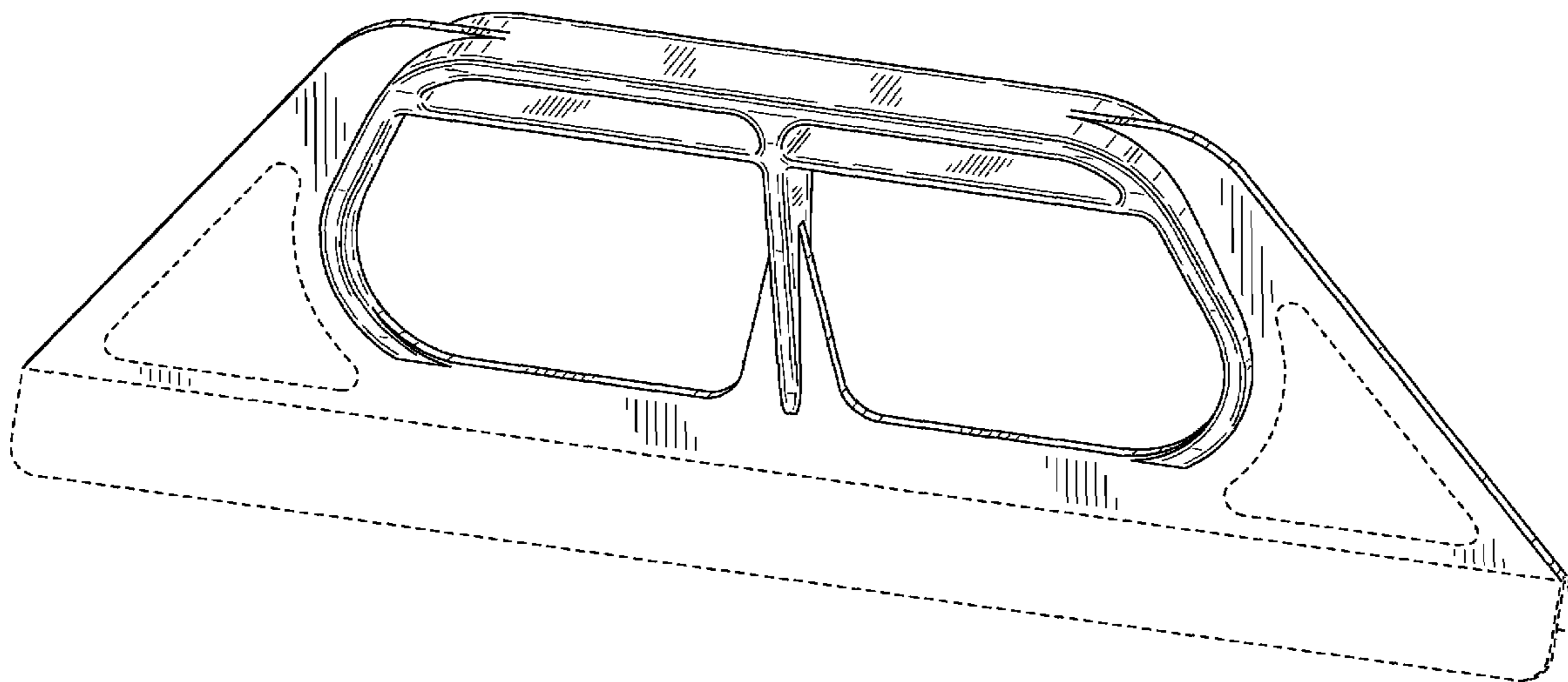
FIG. 4 is a side view of the design shown in FIG. 1;

FIG. 5 is a top view of the design shown in FIG. 1; and,

FIG. 6 is a bottom view of the design shown in FIG. 1.

The broken lines in the figures depict environmental subject matter only and form no part of the claimed design.

1 Claim, 5 Drawing Sheets



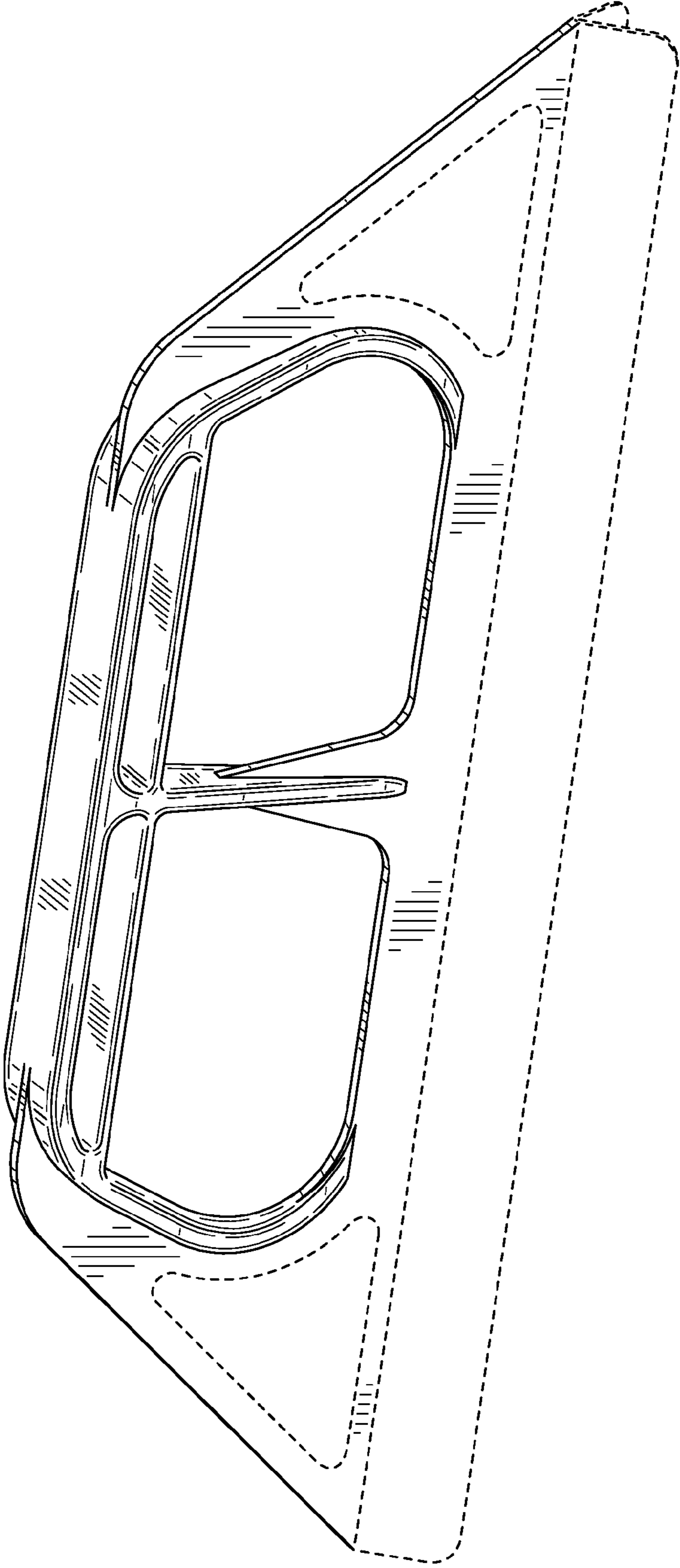


FIG. 1

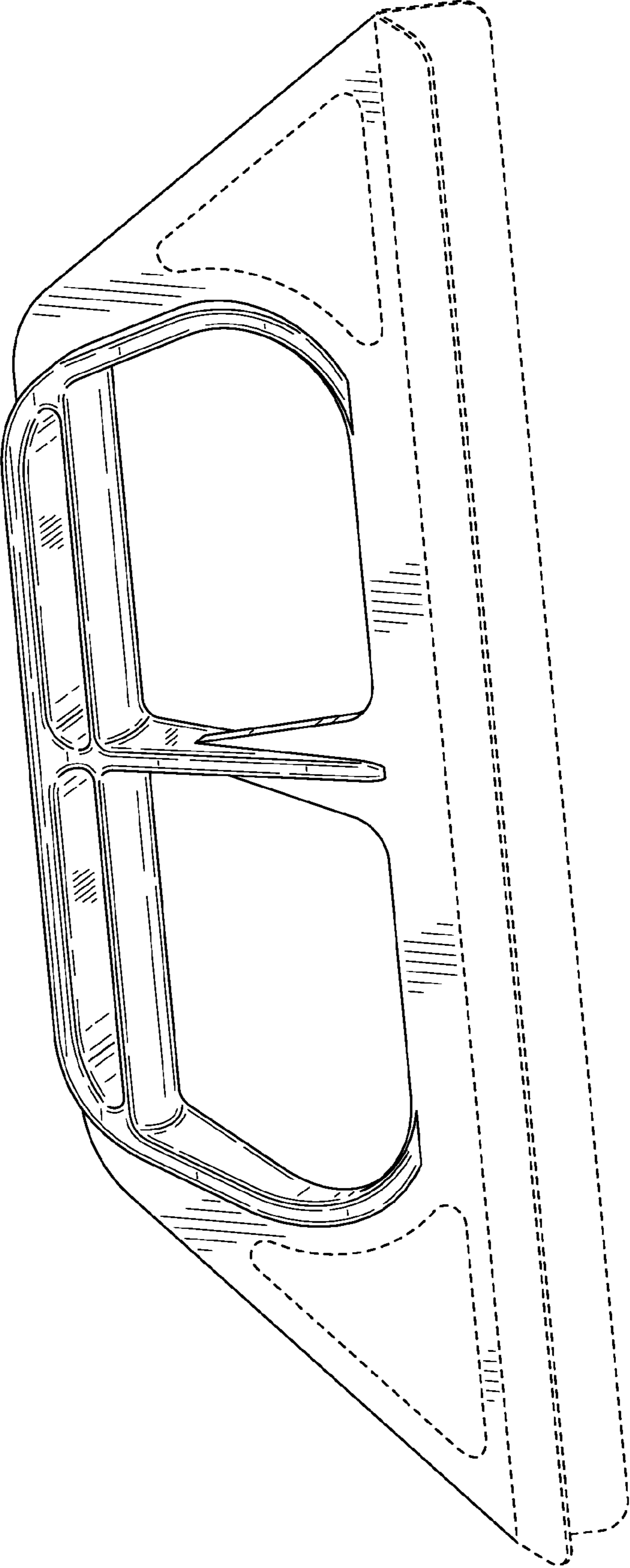


FIG. 2

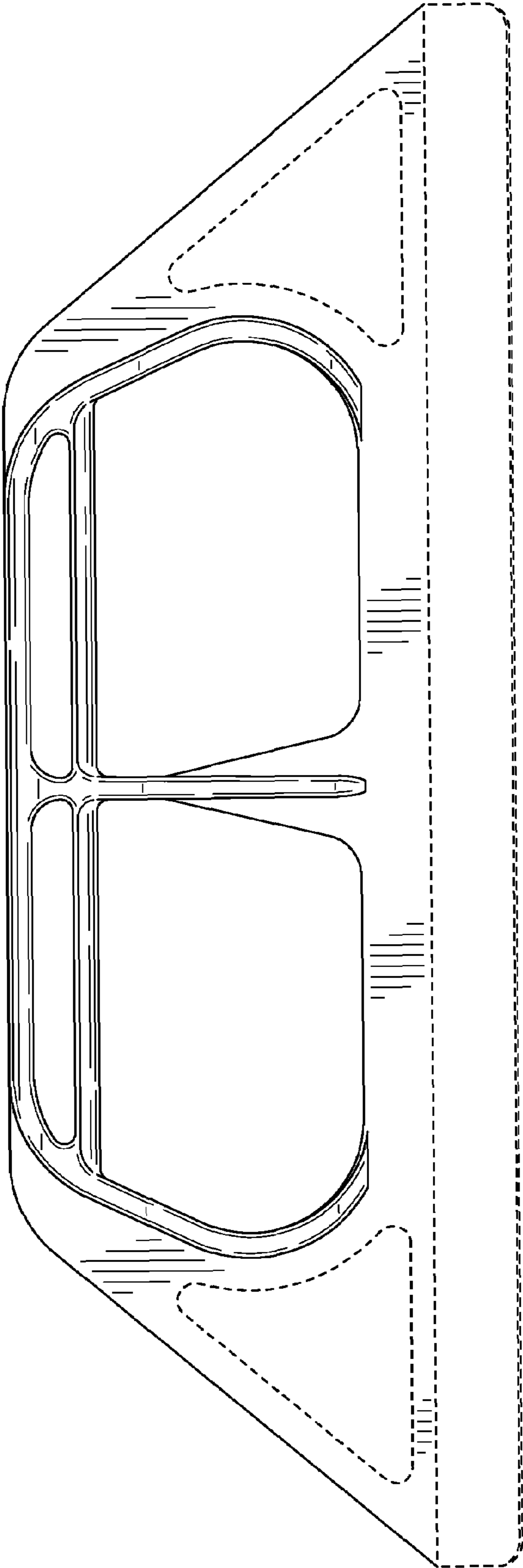


FIG. 3

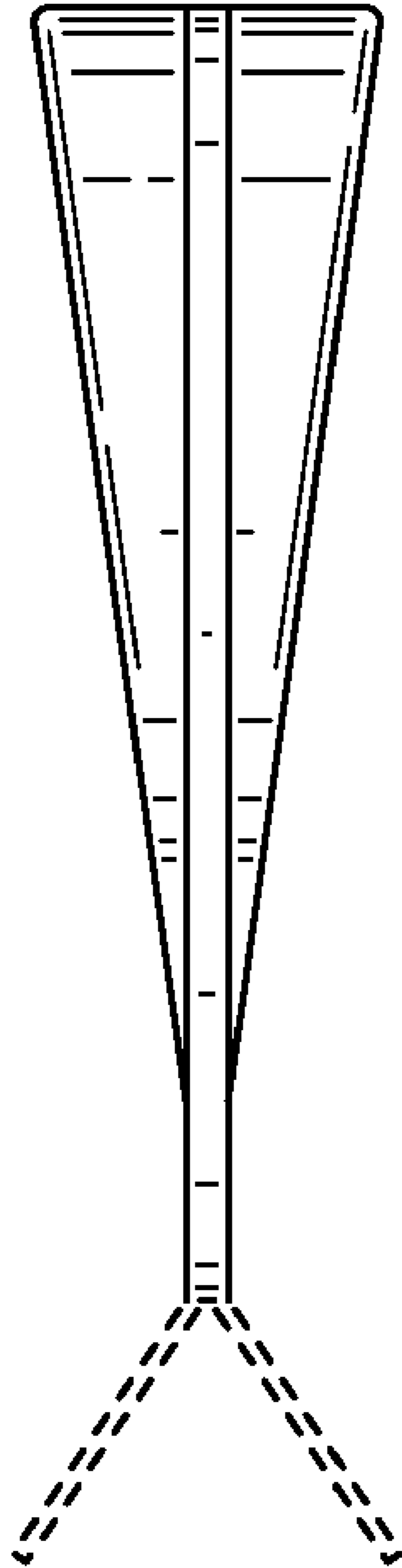


FIG. 4

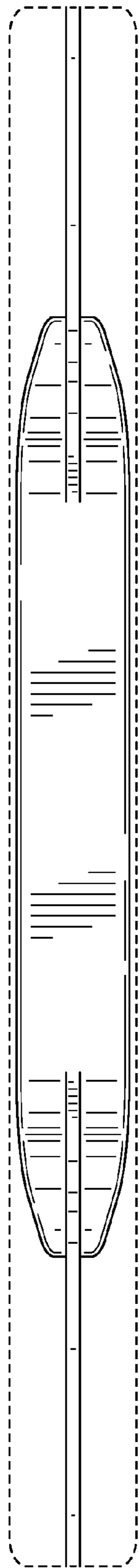


FIG. 5

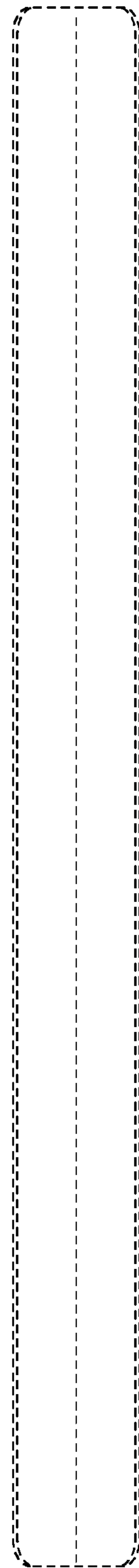


FIG. 6