



US00D618095S

(12) **United States Design Patent**
Wasylko

(10) **Patent No.:** **US D618,095 S**
(45) **Date of Patent:** **** Jun. 22, 2010**

(54) **GIFT BOX**

(76) Inventor: **Deborah Wasylko**, 3622 Lennox Cir.,
Brunswick, OH (US) 44212

(**) Term: **14 Years**

(21) Appl. No.: **29/341,745**

(22) Filed: **Aug. 12, 2009**

(51) **LOC (9) Cl.** **09-07**

(52) **U.S. Cl.** **D9/434**

(58) **Field of Classification Search** D9/624,
D9/500, 457, 456, 447, 446, 435, 434, 433,
D9/432, 425, 424, 418, 415, 414; D7/392,
D7/392.1; D3/201; D20/28, 22; 229/313,
229/225, 222, 212, 209, 208, 149; 206/728
See application file for complete search history.

(56) **References Cited**

U.S. PATENT DOCUMENTS

2,809,331	A *	10/1957	Canty et al.	220/626
D265,628	S *	8/1982	Redaelli et al.	D9/418
D307,968	S *	5/1990	Neal	D34/1
D328,248	S *	7/1992	Ruff	D9/418
D418,409	S *	1/2000	Hampshire	D9/424
D434,655	S *	12/2000	Haugh et al.	D9/434
D434,980	S *	12/2000	Suzuki	D9/418
D436,035	S *	1/2001	Natke	D9/434
D446,122	S *	8/2001	Weinstein et al.	D9/504
D507,495	S *	7/2005	Williams et al.	D9/719
6,971,513	B2 *	12/2005	Weinstein et al.	206/321

* cited by examiner

Primary Examiner—Susan Bennett Hattan

(74) *Attorney, Agent, or Firm*—Christopher L. Parmelee;
Walker & Jocke

(57) **CLAIM**

The ornamental design for a gift box, as shown and described.

DESCRIPTION

FIG. 1 is an upper perspective view showing my new design for a gift box.

FIG. 2 is a top plan view thereof.

FIG. 3 is a bottom plan view thereof.

FIG. 4 is a right side plan view thereof.

FIG. 5 is a front side plan view thereof.

FIG. 6 is a left side plan view thereof.

FIG. 7 is a back side plan view thereof.

FIG. 8 is a cross-section plan view along lines 8—8 of FIG. 4.

FIG. 9 is a cross-section plan view along lines 9—9 of FIG. 4.

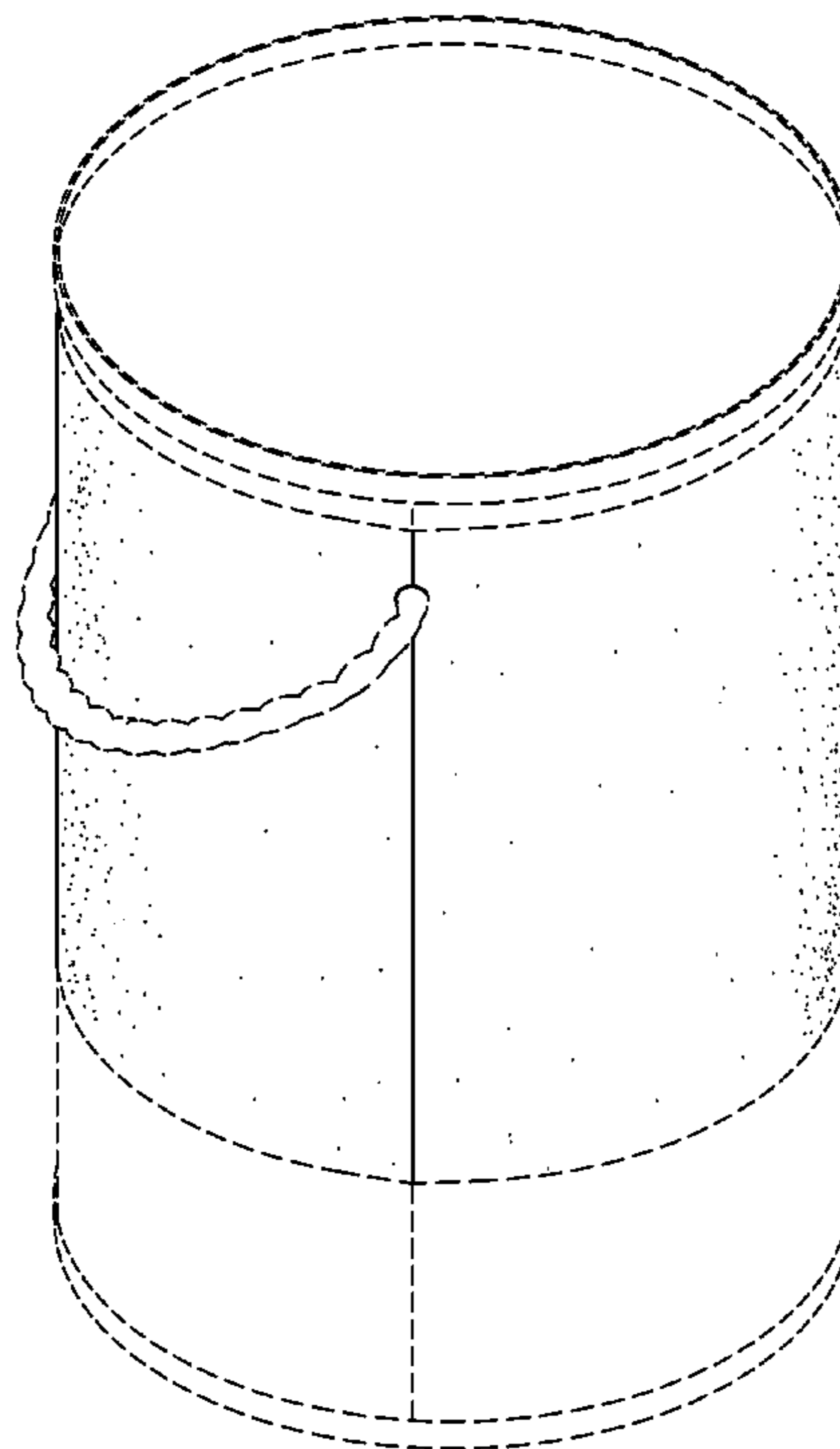
FIG. 10 is a cross-section plan view along lines 10—10 of FIG. 9.

FIG. 11 is a cross-section plan view along lines 11—11 of FIG. 10; and,

FIG. 12 is lower perspective view showing portions of the cross-section shown in FIG. 8.

The broken lines adjacent the shaded areas represent the boundaries of the claimed design, while the other broken lines representing the outline of the gift box depict environmental subject matter only, and form no part of the claimed design.

1 Claim, 7 Drawing Sheets



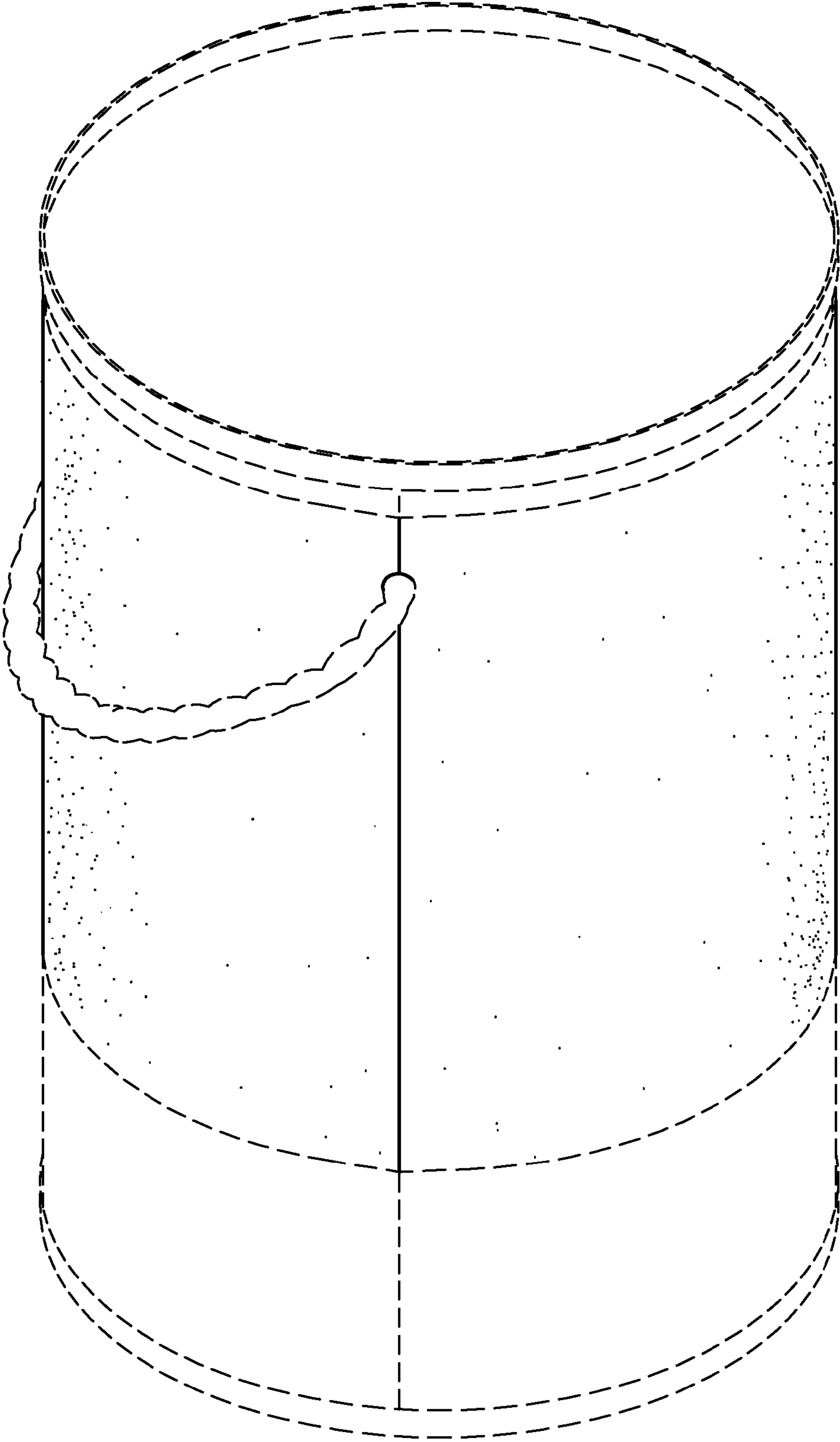


FIG.-1

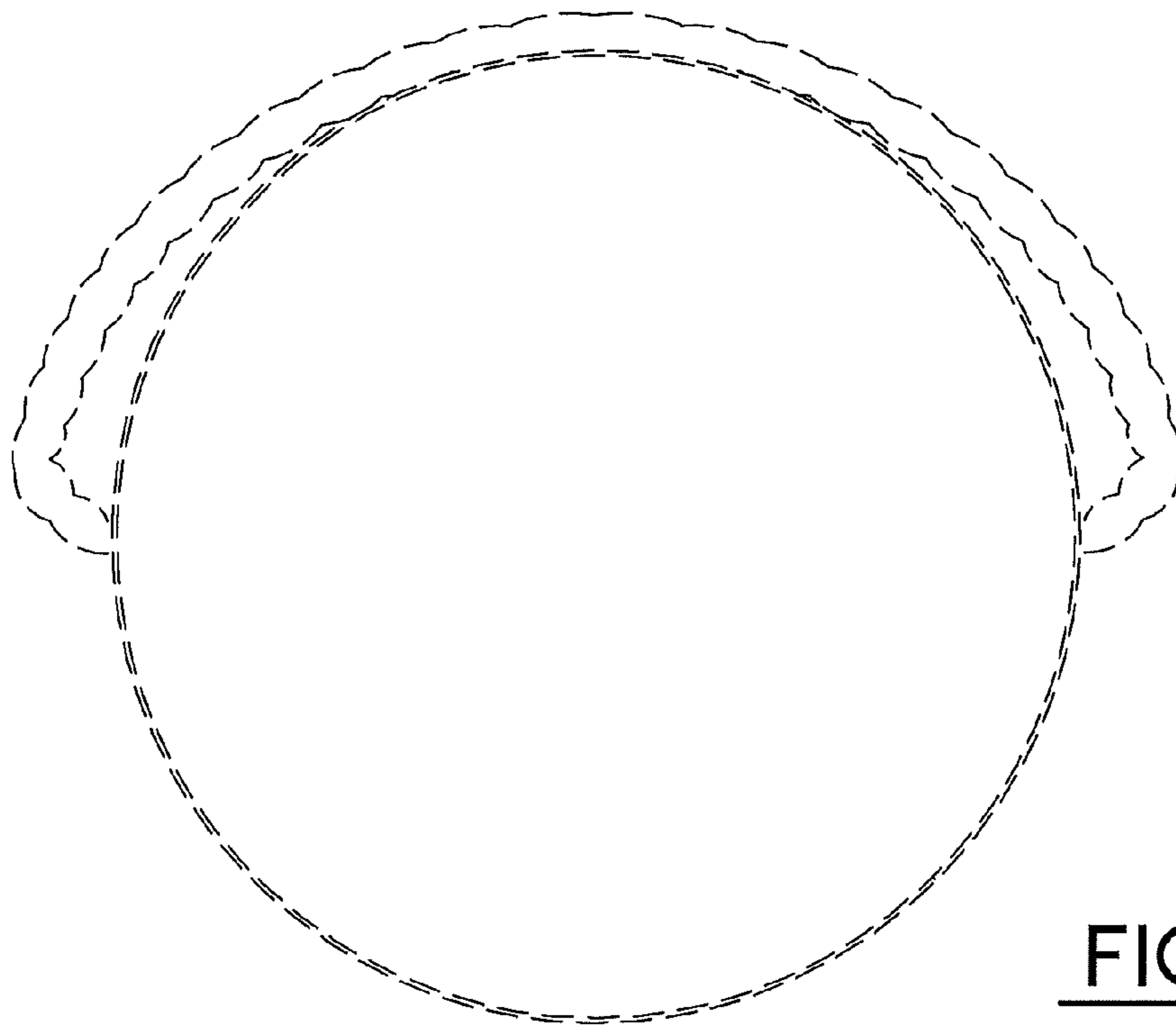


FIG.-2

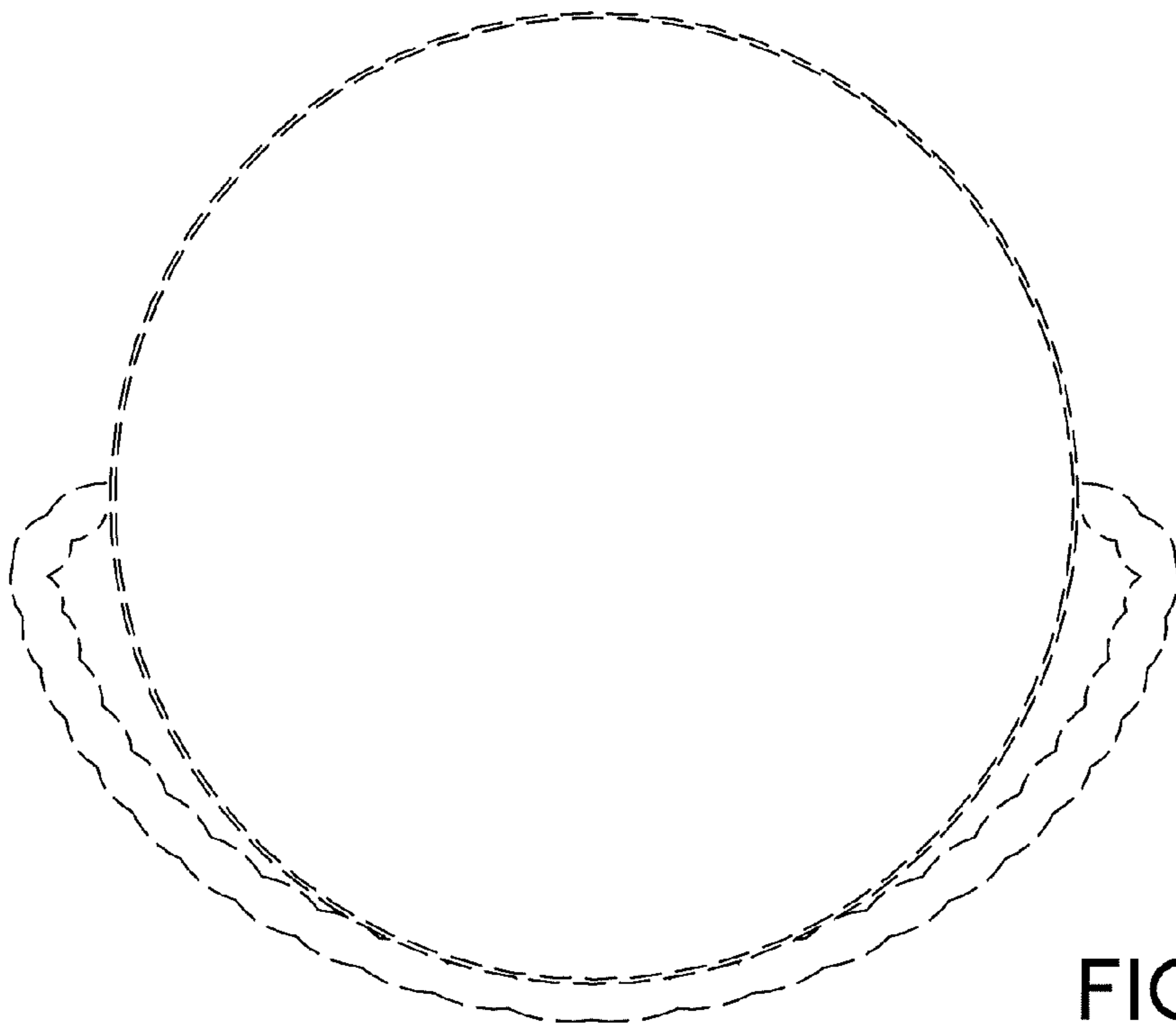


FIG.-3

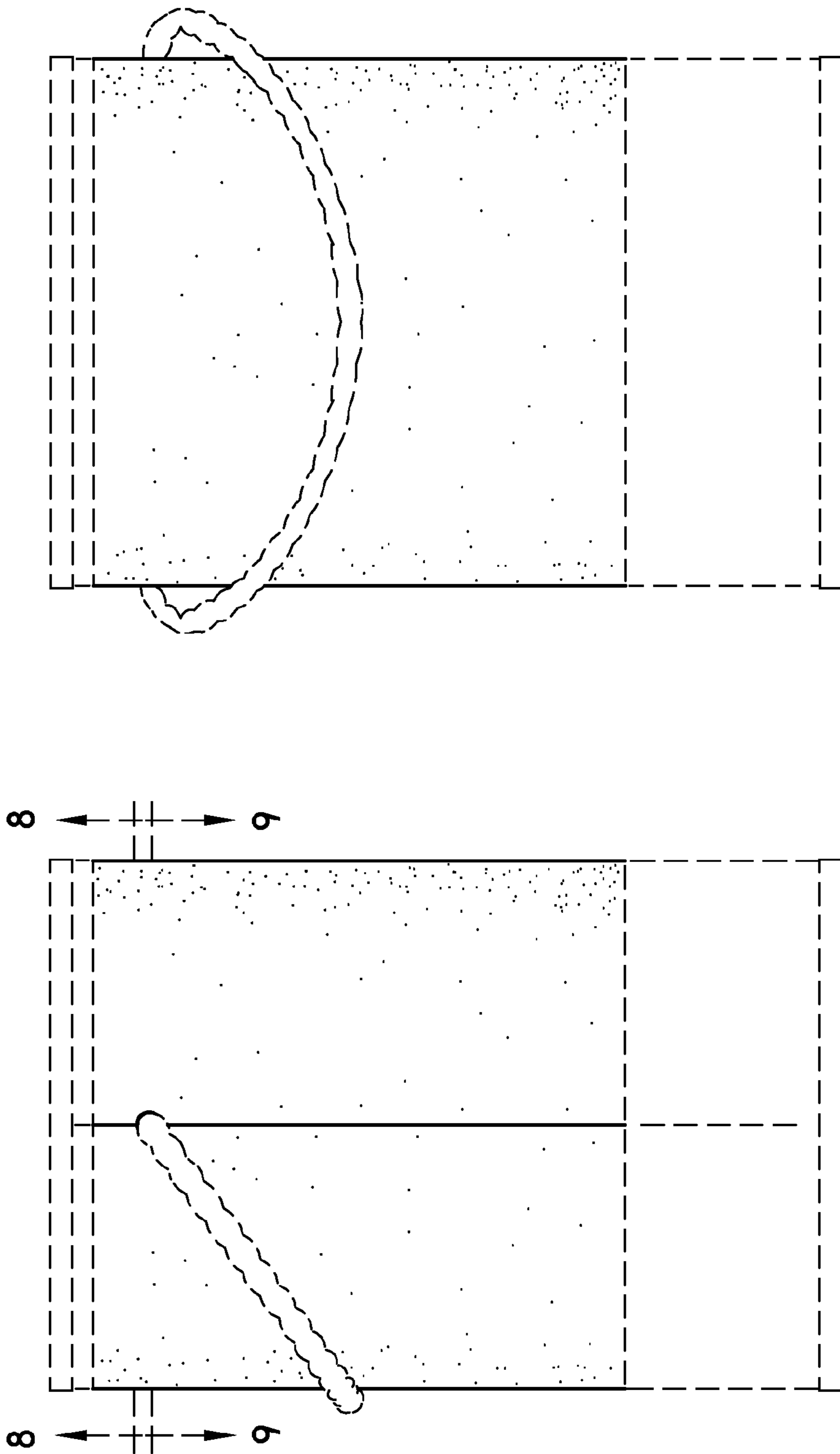


FIG. -5

FIG. -4

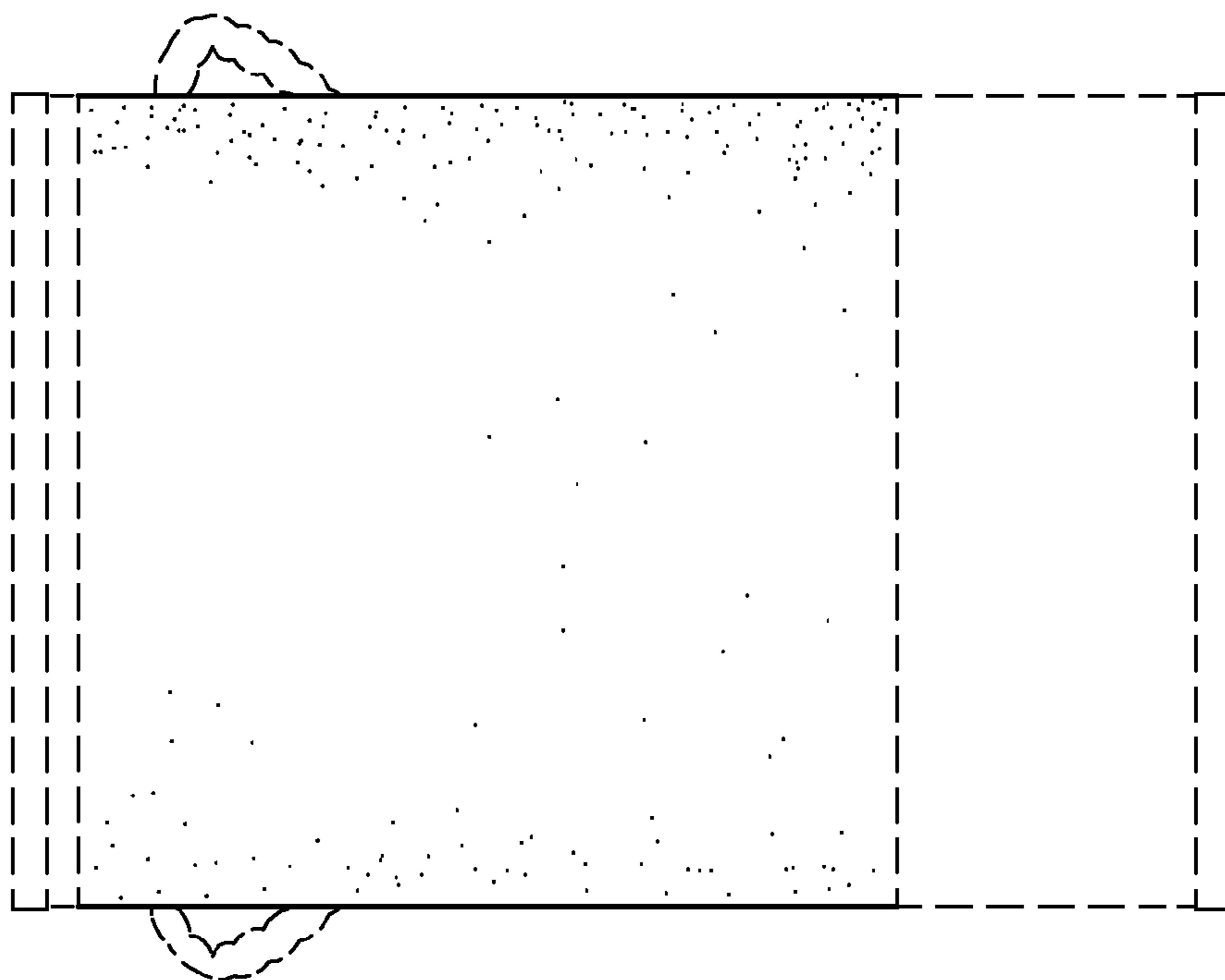


FIG.-7

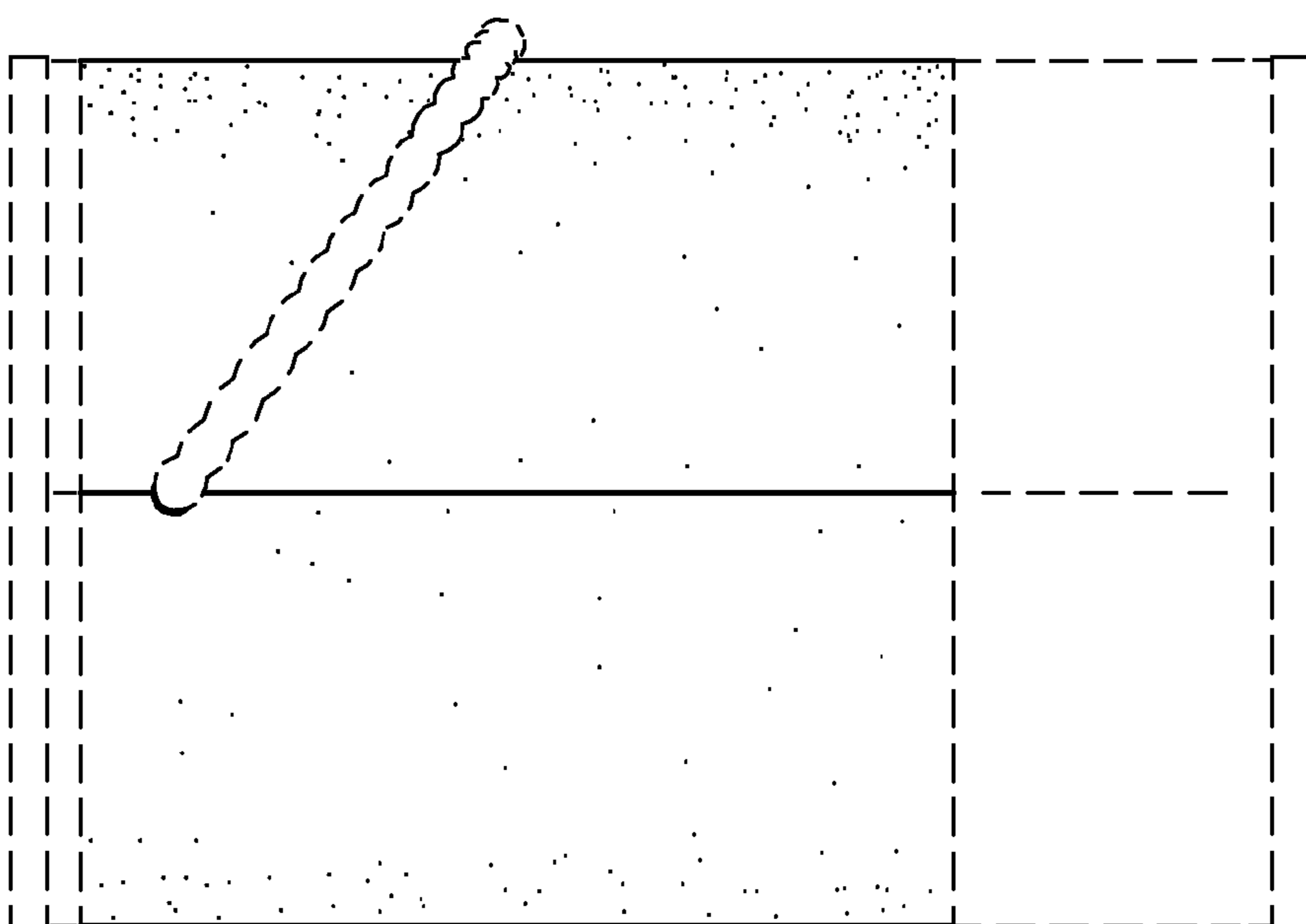


FIG.-6

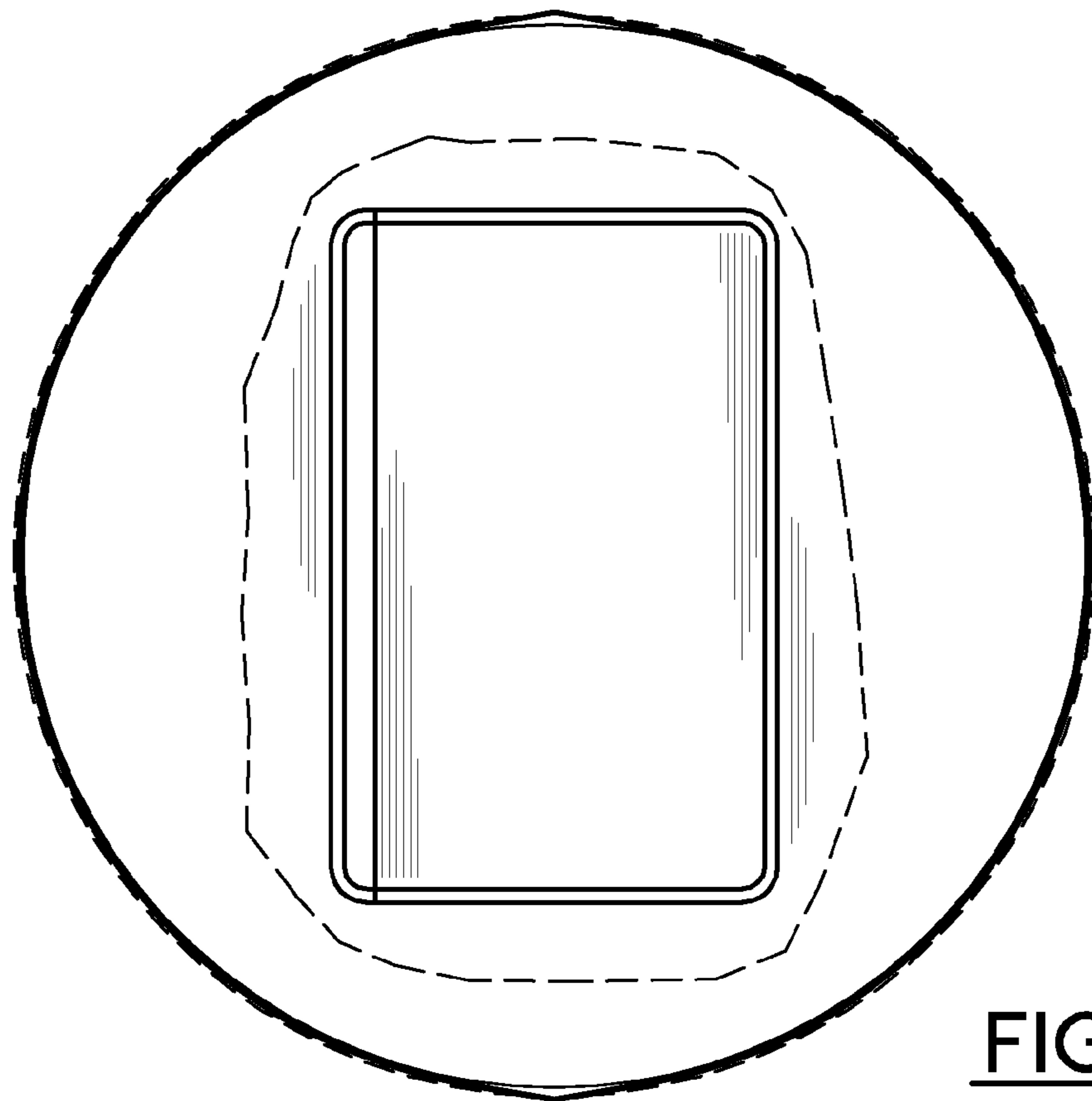


FIG.-8

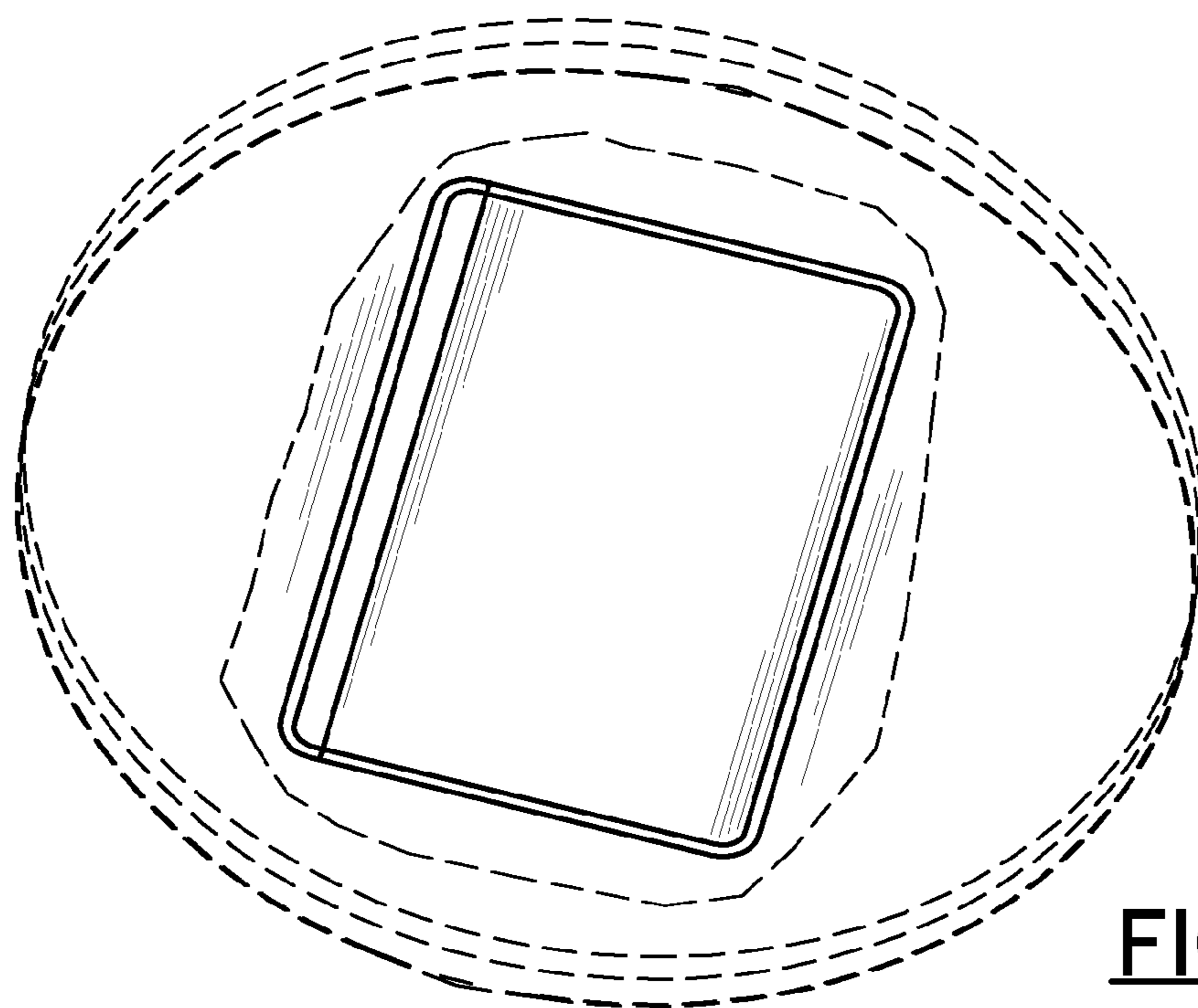


FIG.-12

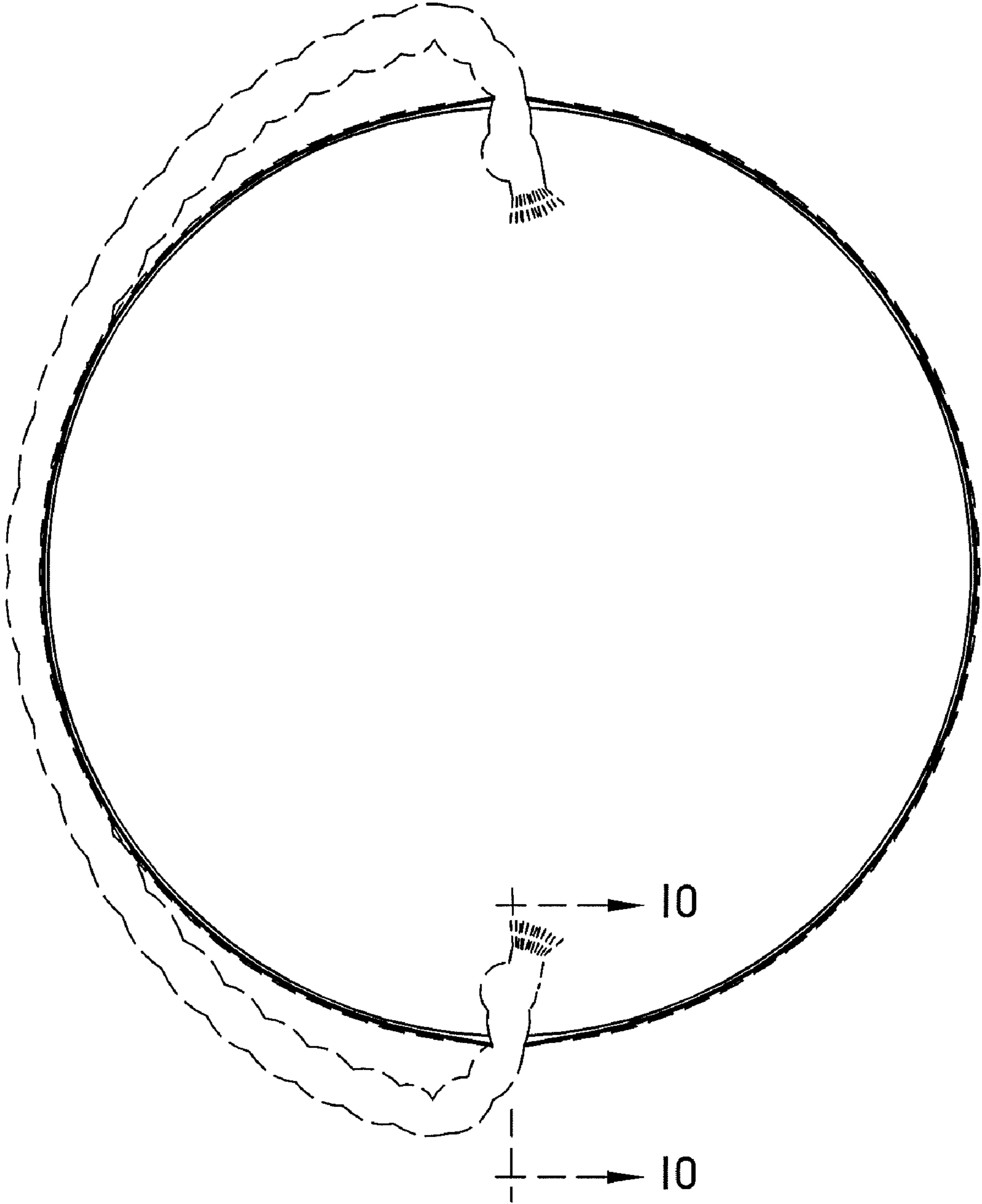


FIG.-9

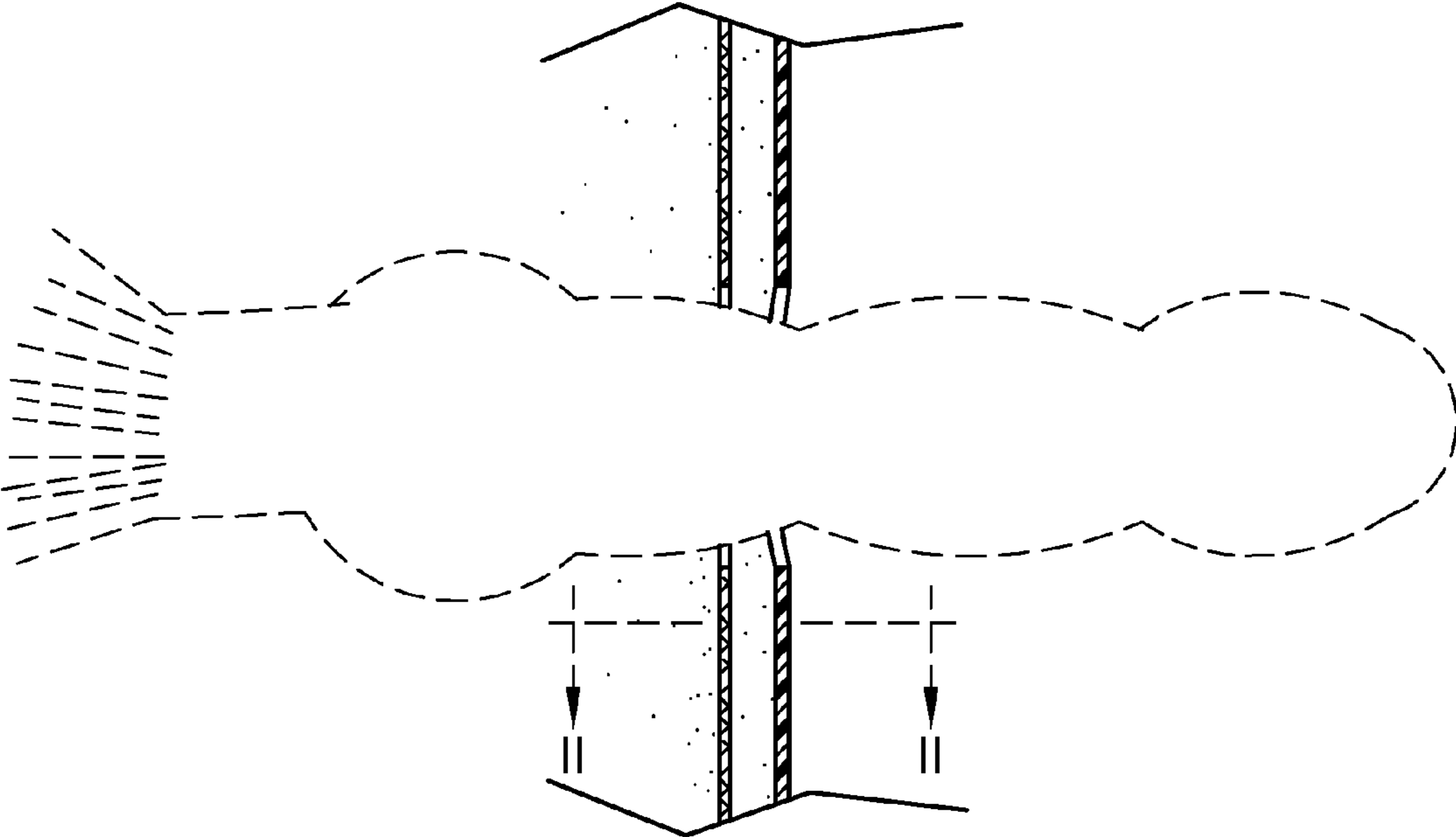


FIG. -10

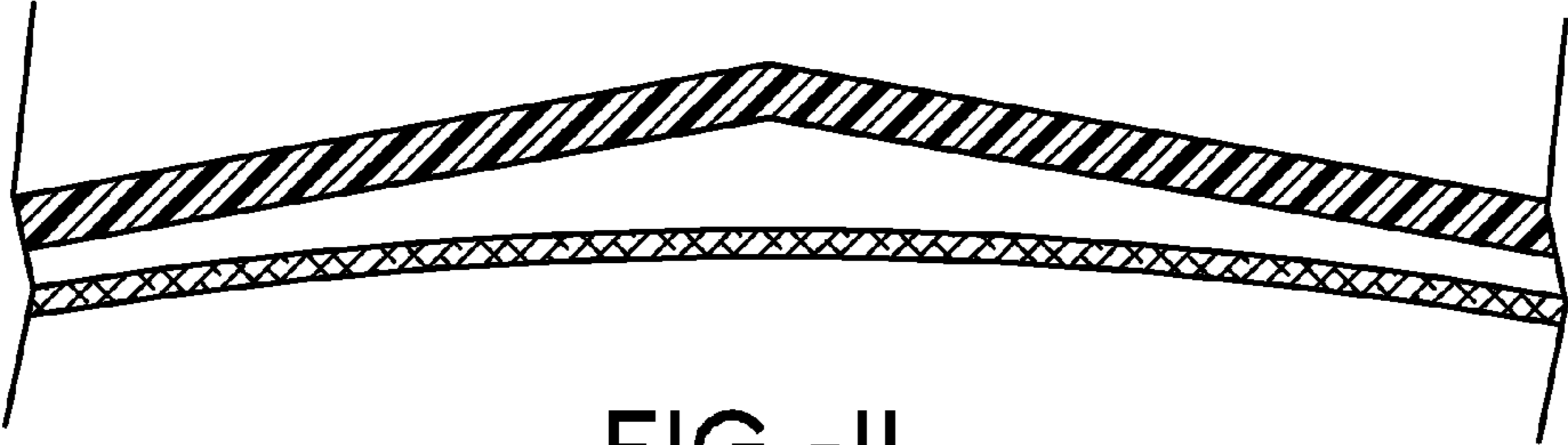


FIG. -II