



US00D618094S

(12) **United States Design Patent**
Arnell

(10) **Patent No.:** **US D618,094 S**
(45) **Date of Patent:** **** Jun. 22, 2010**

(54) **CONTAINER WITH SURFACE ORNAMENTATION**

(75) Inventor: **Peter E. Arnell**, Katonah, NY (US)

(73) Assignee: **PepsiCo, Inc.**, Purchase, NY (US)

(**) Term: **14 Years**

(21) Appl. No.: **29/325,718**

(22) Filed: **Oct. 3, 2008**

(51) **LOC (9) Cl.** **09-07**

(52) **U.S. Cl.** **D9/434**

(58) **Field of Classification Search** D9/717,
D9/709, 704, 670, 660, 658, 652, 646, 632,
D9/605, 604, 601, 457, 454, 453, 451, 441,
D9/439, 436, 434, 424, 415; D5/61, 60,
D5/58; D3/303, 276; D20/28; D14/492,
D14/489; D11/221; 53/133.4; 383/64, 61.2,
383/5; 206/470, 469, 468, 462; 220/212;
222/78

See application file for complete search history.

(56) **References Cited**

U.S. PATENT DOCUMENTS

- D48,480 S * 1/1916 Zimmerman D9/550
- D167,208 S * 7/1952 Hall D9/550
- D314,795 S * 2/1991 McGarrah D20/5
- D479,276 S * 9/2003 Trigg et al. D20/22

- D533,396 S * 12/2006 Lipson D7/392.1
- D568,157 S * 5/2008 Snyder et al. D9/516
- D577,597 S * 9/2008 Snyder et al. D9/551
- D583,874 S * 12/2008 Penke et al. D20/28
- D593,410 S * 6/2009 Schwartz D9/434
- D601,163 S * 9/2009 Arnell D14/490
- D601,888 S * 10/2009 Arnell D9/434
- D601,889 S * 10/2009 Arnell D9/434
- D601,890 S * 10/2009 Arnell D9/434
- D601,891 S * 10/2009 Arnell D9/434
- D613,157 S * 4/2010 Francis et al. D9/434

* cited by examiner

Primary Examiner—Susan Bennett Hattan

(74) *Attorney, Agent, or Firm*—Banner & Witcoff, Ltd.

(57) **CLAIM**

The ornamental design for a container with surface ornamentation, as shown and described.

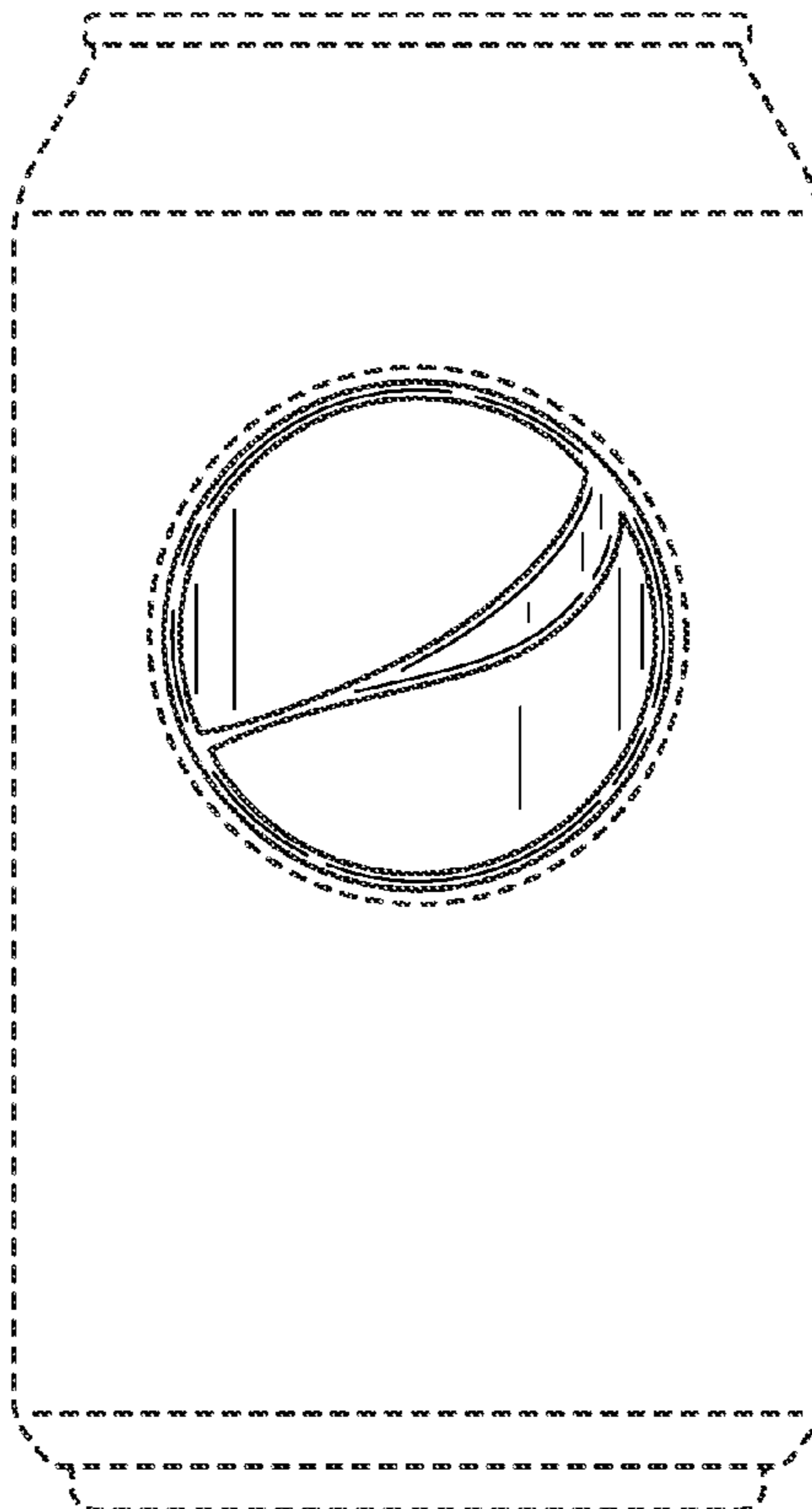
DESCRIPTION

FIG. 1 is a front view of a container with surface ornamentation; and,

FIG. 2 is a side view thereof, wherein the depth of the debossments associated with the claimed design is uniform throughout the claimed design.

The broken line shown in the drawings depicts environmental subject matter only and forms no part of the claimed design.

1 Claim, 1 Drawing Sheet



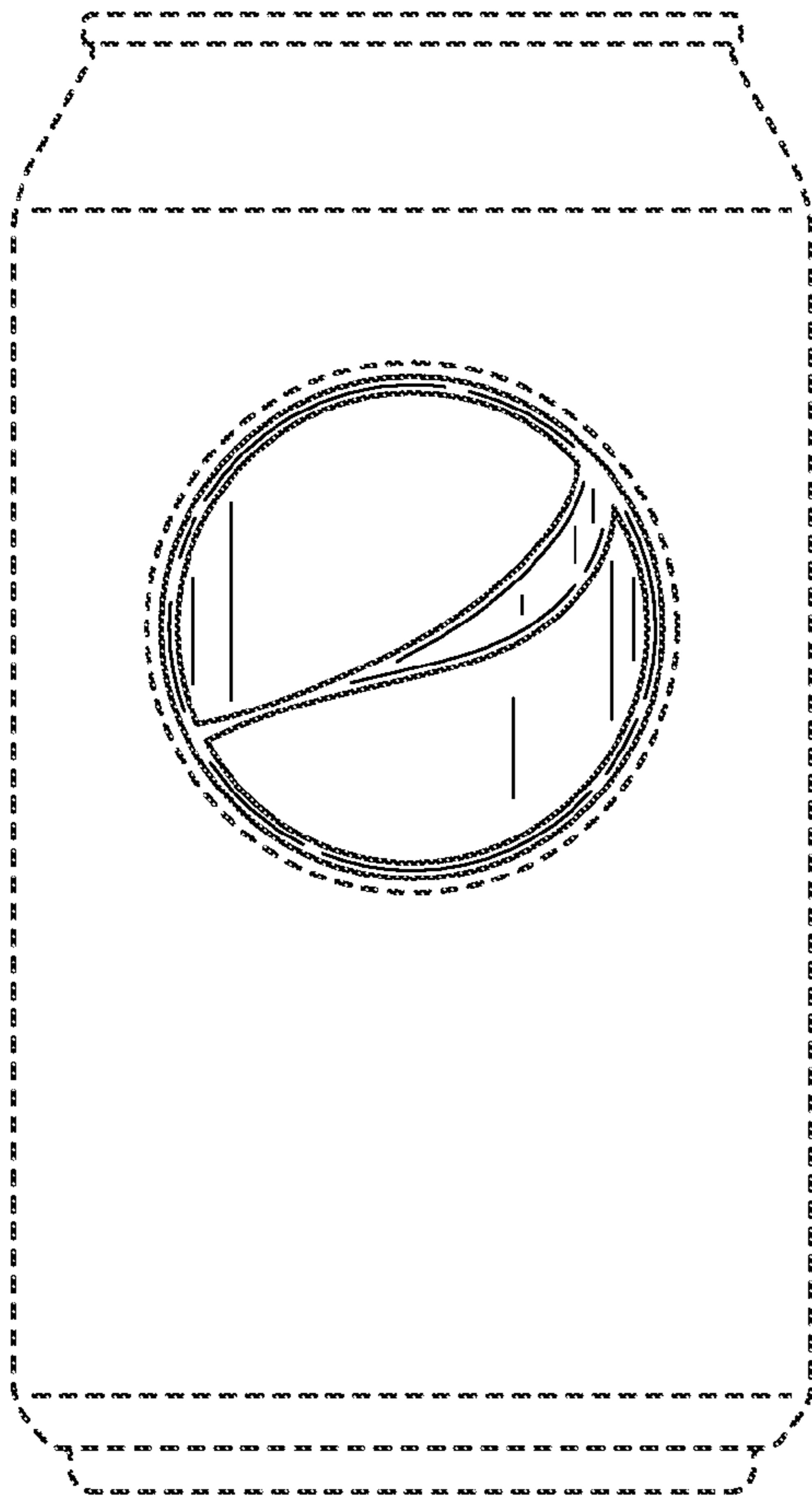


FIG. 1

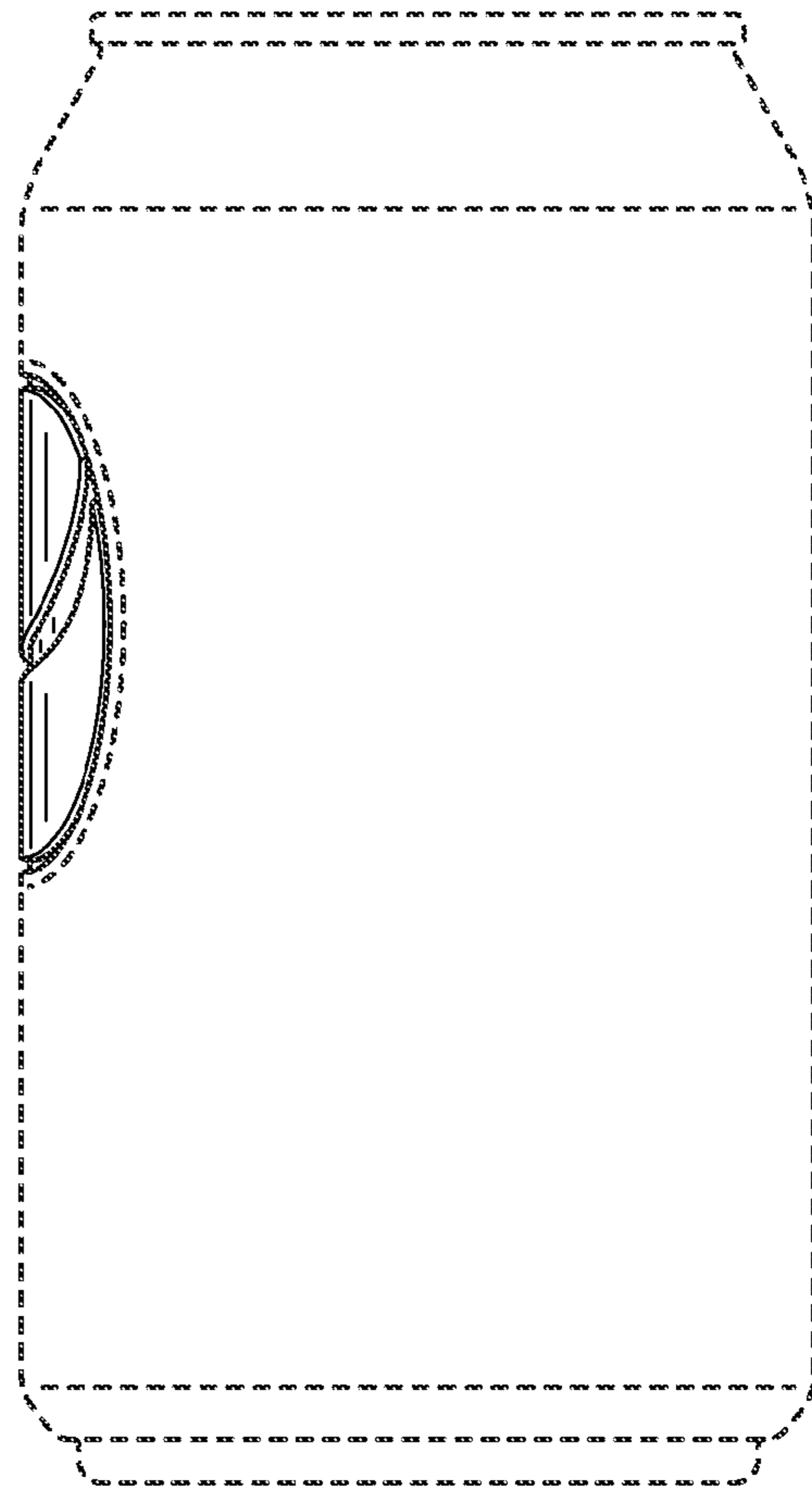


FIG. 2