



US00D618087S

(12) **United States Design Patent**
Stafford et al.

(10) **Patent No.:** **US D618,087 S**
(45) **Date of Patent:** **** Jun. 22, 2010**

(54) **SUPPORT**

(75) Inventors: **William Y. Stafford**, Minnetrista, MN (US); **Edward Shore**, North Kingstown, RI (US); **Danny Raposo**, North Kingstown, RI (US); **Roger Jacobs**, Minnetonka, MN (US)

(73) Assignee: **Target Brands, Inc.**, Minneapolis, MN (US)

(**) Term: **14 Years**

(21) Appl. No.: **29/331,768**

(22) Filed: **Jan. 30, 2009**

(51) **LOC (9) Cl.** **08-05**

(52) **U.S. Cl.** **D8/363**

(58) **Field of Classification Search** D8/40,
D8/349, 353, 354, 363, 366, 373, 380, 381,
D8/394; D25/119, 126, 131, 132; 52/426,
52/506.06, 506.07, 686, 687; 248/208, 235,
248/237, 245, 247, 243, 265, 267

See application file for complete search history.

(56) **References Cited**

U.S. PATENT DOCUMENTS

D251,343 S * 3/1979 Hansen D8/356
4,660,477 A * 4/1987 Kortering et al. 108/108
D344,885 S * 3/1994 Loew D8/373
D367,221 S * 2/1996 Burgasser et al. D8/381
D447,683 S * 9/2001 Grosfillex D8/381
7,086,544 B1 * 8/2006 Doench 211/105.1
D547,640 S * 7/2007 Remmers D8/381

7,314,144 B2 * 1/2008 Stitchick et al. 211/125
D581,260 S * 11/2008 Fernandez D8/381
7,497,533 B2 * 3/2009 Remmers 312/404
D596,931 S * 7/2009 Fernandez D8/381
D596,932 S * 7/2009 Kleinsasser D8/381

OTHER PUBLICATIONS

Drawing and image of support arm used in Target Corporation stores, in view of the public, and in the United States prior to Jan. 30, 2009 (2 pages).

* cited by examiner

Primary Examiner—Sandra Snapp

Assistant Examiner—Patricia Palasik

(74) *Attorney, Agent, or Firm*—Griffiths & Seaton PLLC

(57) **CLAIM**

The ornamental design for a support, as shown and described.

DESCRIPTION

FIG. 1 is a top, perspective view of a support;

FIG. 2 is bottom, perspective view thereof;

FIG. 3 is a left side view thereof, the right side view being an identical, mirror image of the left side view;

FIG. 4 is a top view thereof;

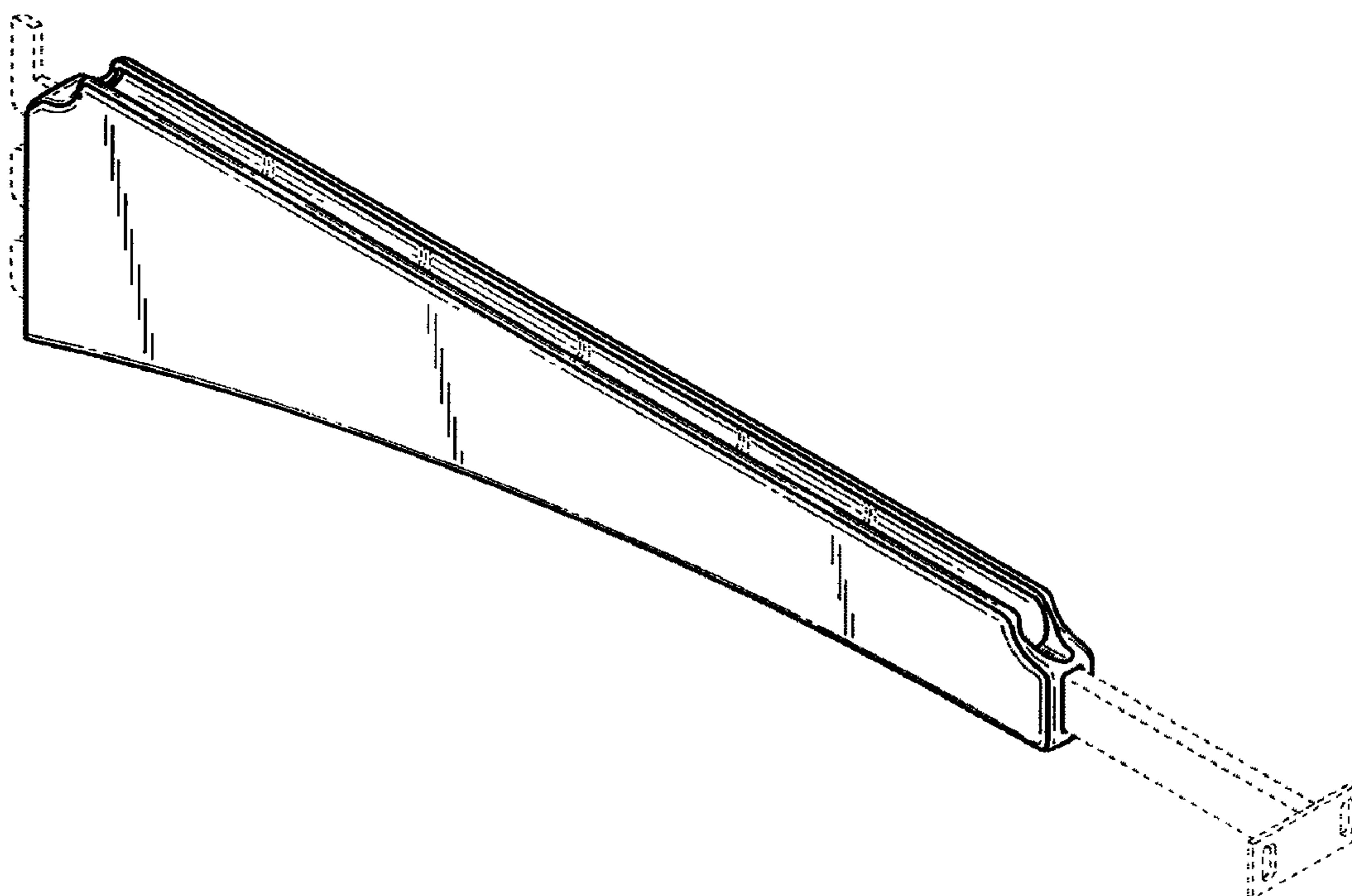
FIG. 5 is a bottom view thereof;

FIG. 6 is a back view thereof; and,

FIG. 7 is a front view thereof.

The broken lines are for illustrative purposes only and form no part of the claimed design.

1 Claim, 3 Drawing Sheets



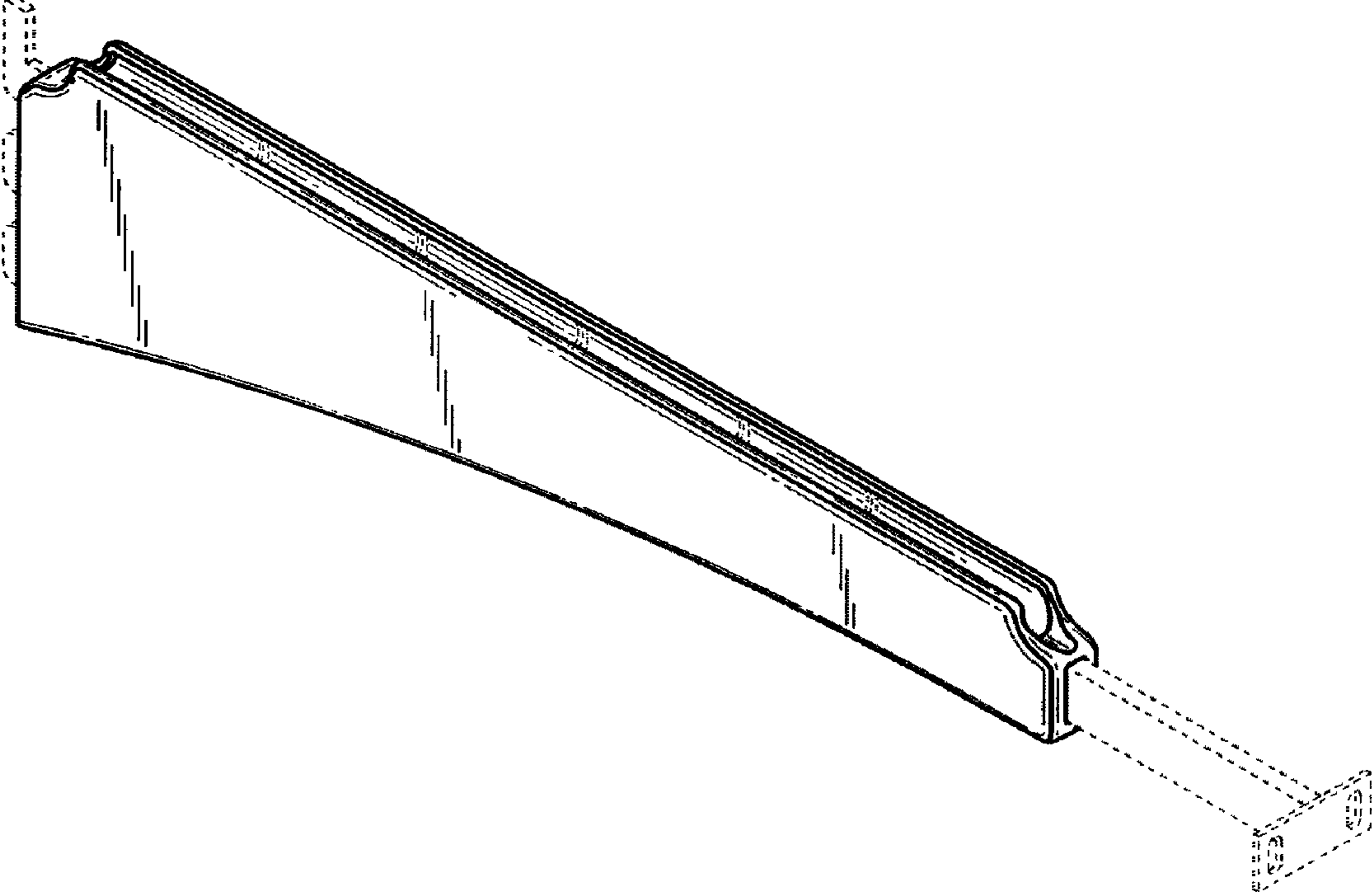


Fig. 1

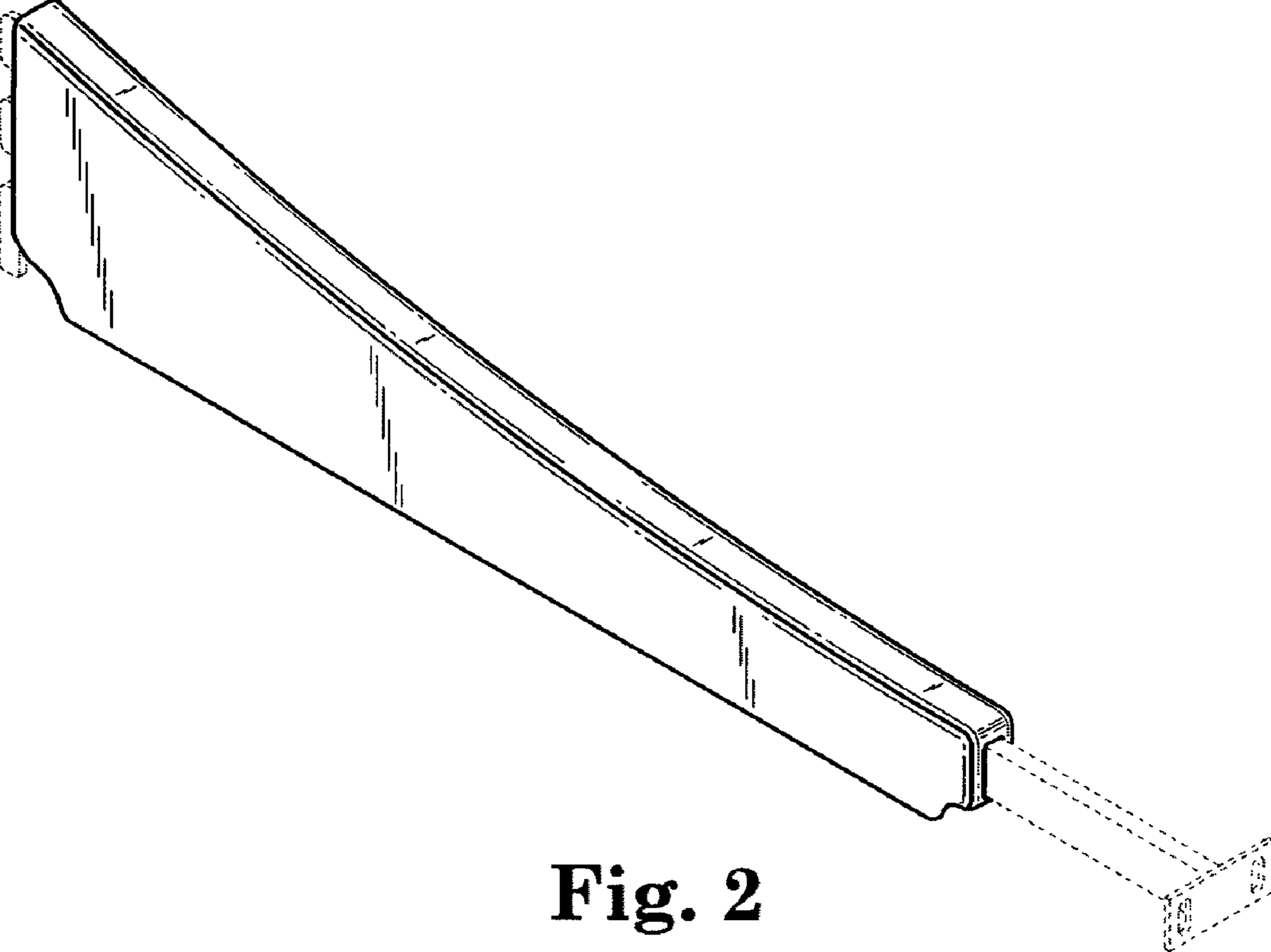


Fig. 2



Fig. 3

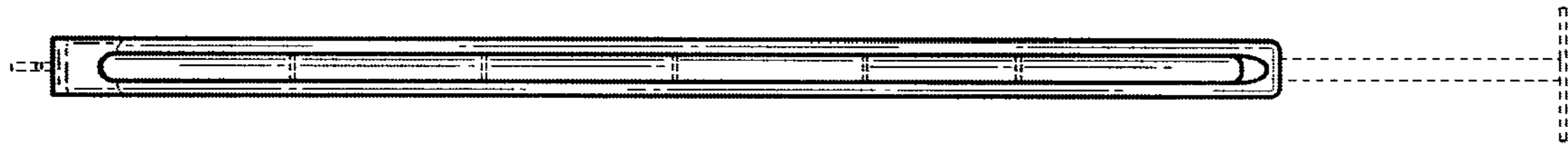


Fig. 4

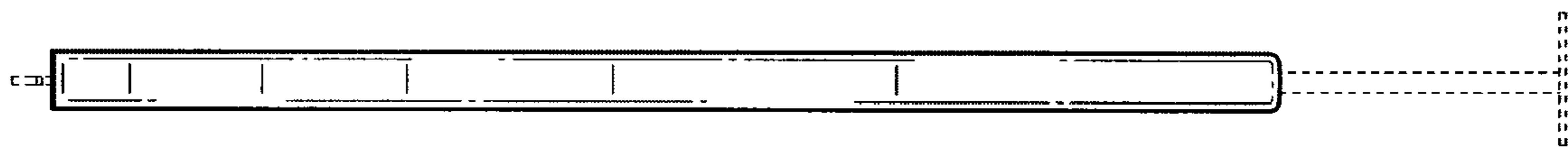


Fig. 5

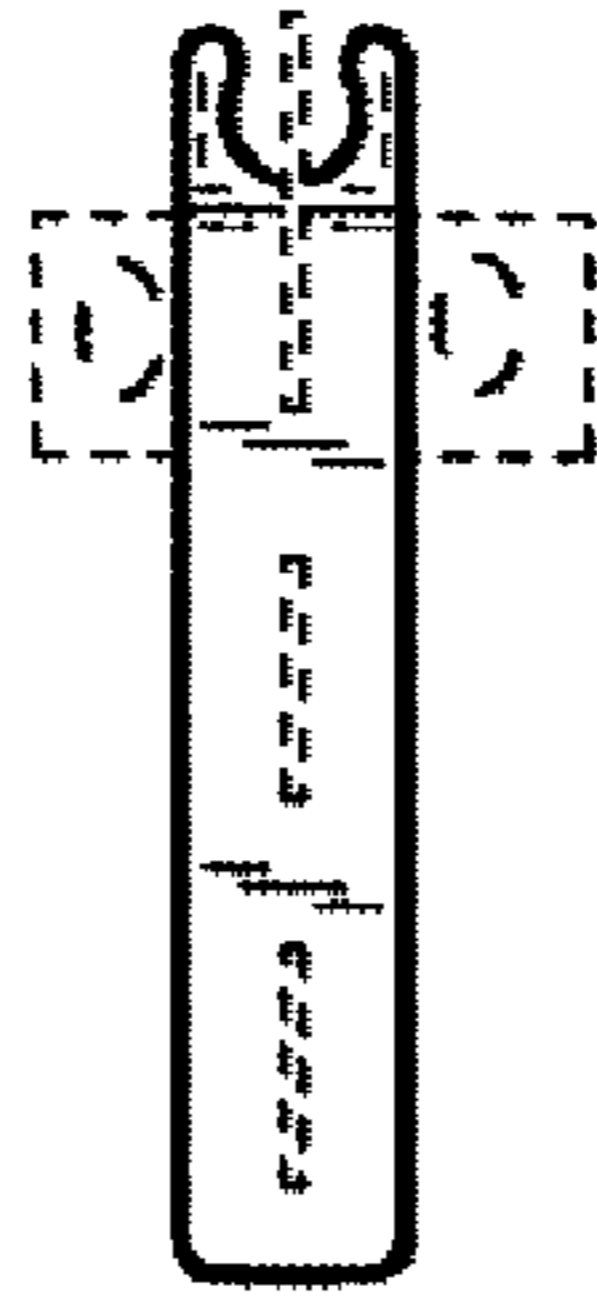


Fig. 6

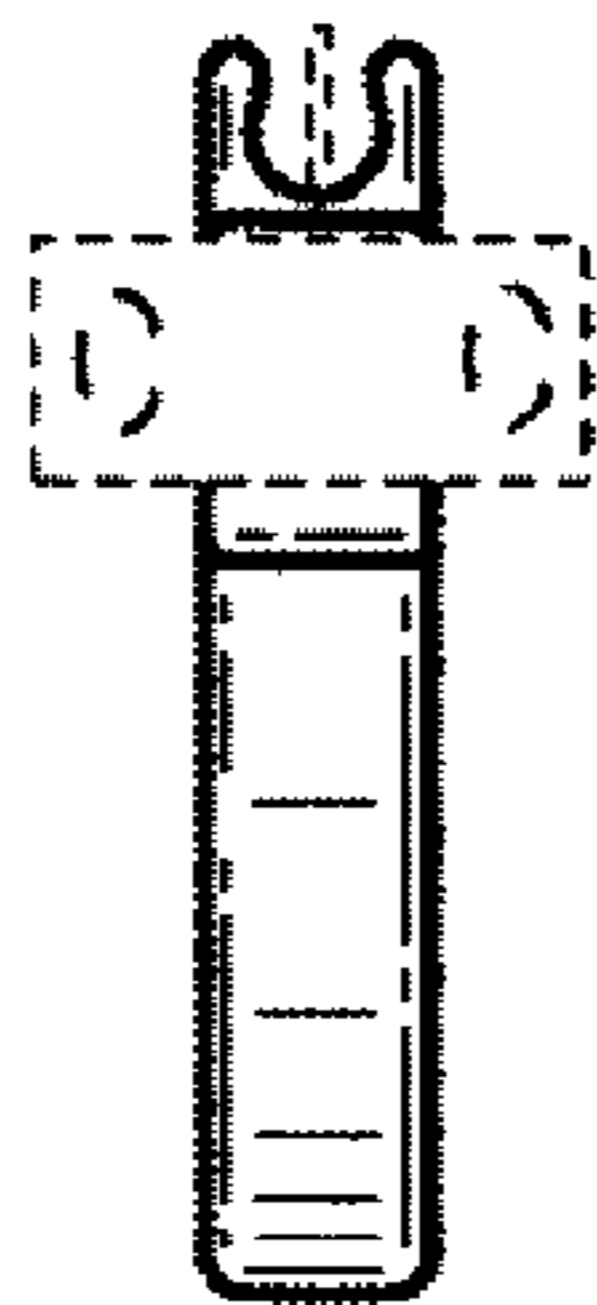


Fig. 7