



US00D618086S

(12) **United States Design Patent**
Taatjes et al.

(10) **Patent No.:** **US D618,086 S**
(45) **Date of Patent:** **** Jun. 22, 2010**

(54) **FILAMENT SPOOL**

(75) Inventors: **Thomas L. Taatjes**, Eden Prairie, MN (US); **Patrick W. Turley**, Eden Prairie, MN (US); **Martin G. Zalusky**, Bloomington, MN (US)

(73) Assignee: **Stratasys, Inc.**, Eden Prairie, MN (US)

(**) Term: **14 Years**

(21) Appl. No.: **29/351,230**

(22) Filed: **Dec. 2, 2009**

Related U.S. Application Data

(62) Division of application No. 29/340,131, filed on Jul. 14, 2009, now Pat. No. Des. 606,845, which is a division of application No. 29/326,639, filed on Oct. 22, 2008, now Pat. No. Des. 598,733.

(51) **LOC (9) Cl.** **08-05**

(52) **U.S. Cl.** **D8/358**

(58) **Field of Classification Search** D8/359, D8/358, 356, 308; D14/475, 435; D13/137.4; 33/770, 755; 242/614.1, 605, 405, 405.3, 242/378.4, 378.2, 171, 170, 570, 600, 614; 239/198, 197; 137/355.23-355.28, 355.2, 137/355.19, 15.08; 128/205.22; D10/72
See application file for complete search history.

(56) **References Cited**

U.S. PATENT DOCUMENTS

D71,171 S	10/1926	Bonn	D8/358
D79,201 S	8/1929	Mills	D8/358
D224,683 S	8/1972	Wada et al.	D14/475
D228,789 S	10/1973	Koni	D14/475
D230,703 S	3/1974	Nelson	D8/358
D230,991 S	3/1974	Katto et al.	D14/475
D233,411 S	10/1974	Geisler	D8/359
D260,514 S	9/1981	Gell	D14/475
D276,527 S	11/1984	Flanigan	D14/435
D282,357 S	1/1986	Gell	D14/475
5,121,329 A	6/1992	Crump	364/468

D343,319 S	1/1994	Phillips	D6/515
D346,379 S	4/1994	Patel et al.	D14/475
5,340,433 A	8/1994	Crump	156/578
5,503,785 A	4/1996	Crump et al.	264/40.7
D381,645 S	7/1997	Johnson	D14/475
D406,049 S	2/1999	Bernat	D8/358
D408,720 S	4/1999	Sheng	D8/359
5,939,008 A	8/1999	Comb et al.	264/308
5,968,561 A	10/1999	Batchelder et al.	425/375
6,022,207 A	2/2000	Dahlin et al.	425/145
6,070,107 A	5/2000	Lombardi et al.	700/119
6,085,957 A	7/2000	Zinniel et al.	226/8
D436,021 S *	1/2001	Arnold	D8/358
D436,111 S	1/2001	Hahn et al.	D14/475
6,228,923 B1	5/2001	Lombardi et al.	524/425
D470,498 S	2/2003	Argumedo et al.	D14/435

(Continued)

Primary Examiner—Susan Bennett Hattan
(74) *Attorney, Agent, or Firm*—Westman, Champlin & Kelly, P.A.

(57) **CLAIM**

The ornamental design for a filament spool, as shown and described.

DESCRIPTION

FIG. 1 is a top front perspective view of a portion of a filament spool;

FIG. 2 is a bottom front perspective view thereof;

FIG. 3 is a top view thereof, the bottom of the filament spool being flat and unornamented;

FIG. 4 is a front view thereof;

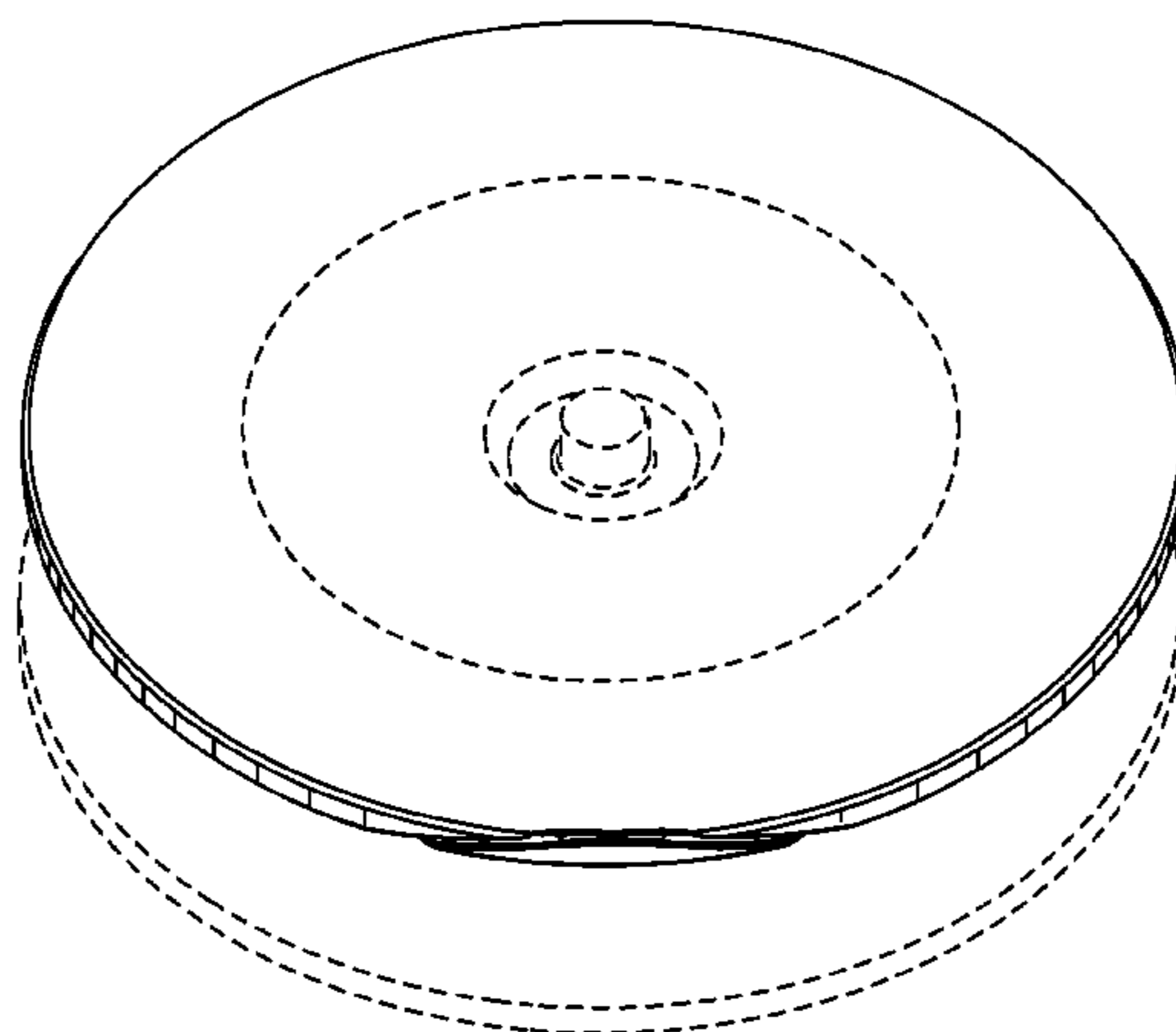
FIG. 5 is a rear view thereof;

FIG. 6 is a left side view thereof; and,

FIG. 7 is a right side view thereof.

Features illustrated with dashed lines are not considered features of the invention being claimed, but rather illustrate an exemplary environment for the claimed features illustrated with solid lines.

1 Claim, 3 Drawing Sheets



US D618,086 S

Page 2

U.S. PATENT DOCUMENTS

D474,191 S	5/2003	Nakayama	D14/475	7,169,337 B2	1/2007	Swanson et al.	264/39
6,685,866 B2	2/2004	Swanson et al.	264/308	D557,118 S	12/2007	Linginfelter	D8/358
6,715,710 B1	4/2004	Russell et al.	242/605	7,341,214 B2	3/2008	Taatjes et al.	242/170
6,722,872 B1	4/2004	Swanson et al.	425/225	7,384,255 B2	6/2008	LaBossiere et al.	425/190
D491,048 S	6/2004	Cornier et al.	D8/358	D595,121 S	6/2009	Murphy	D8/358
6,776,602 B2	8/2004	Swanson et al.	425/376.1	D598,922 S	8/2009	Taatjes et al.	D14/475
6,790,403 B1	9/2004	Priedeman, Jr. et al.	264/442	D606,845 S *	12/2009	Taatjes et al.	D8/358
D504,307 S *	4/2005	Dayan	D8/358	2004/0129823 A1	7/2004	Swanson et al.	242/563
6,991,197 B2	1/2006	Cox et al.	242/614	2007/0001050 A1	1/2007	Taatjes et al.	242/598.6
7,063,285 B1	6/2006	Turley et al.	242/171	2007/0228590 A1	10/2007	LaBossiere et al.	264/40.1
7,066,425 B2 *	6/2006	Cornier et al.	242/614	2009/0050732 A1	2/2009	Ishikawa	242/608.8

* cited by examiner

FIG. 1

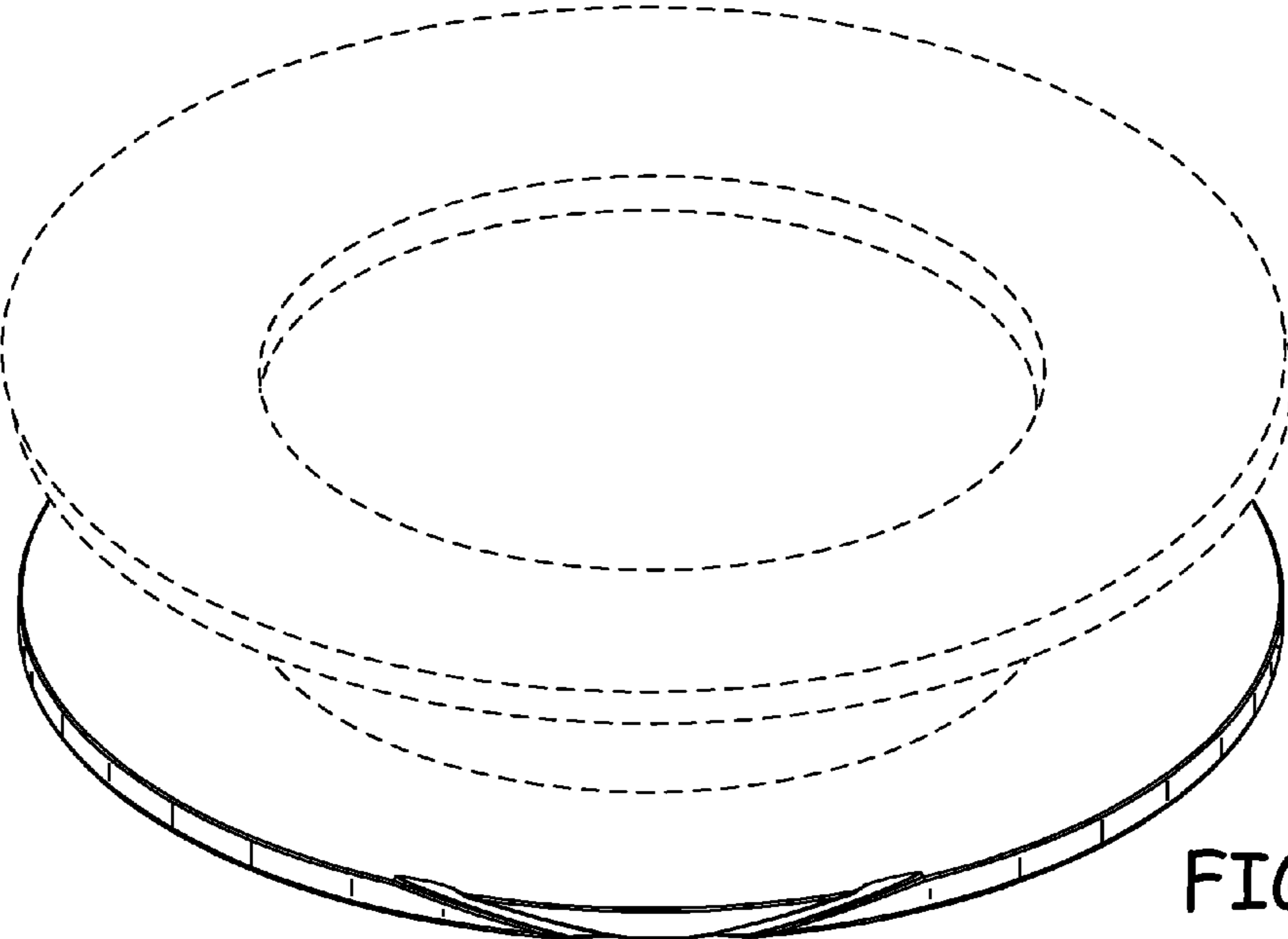
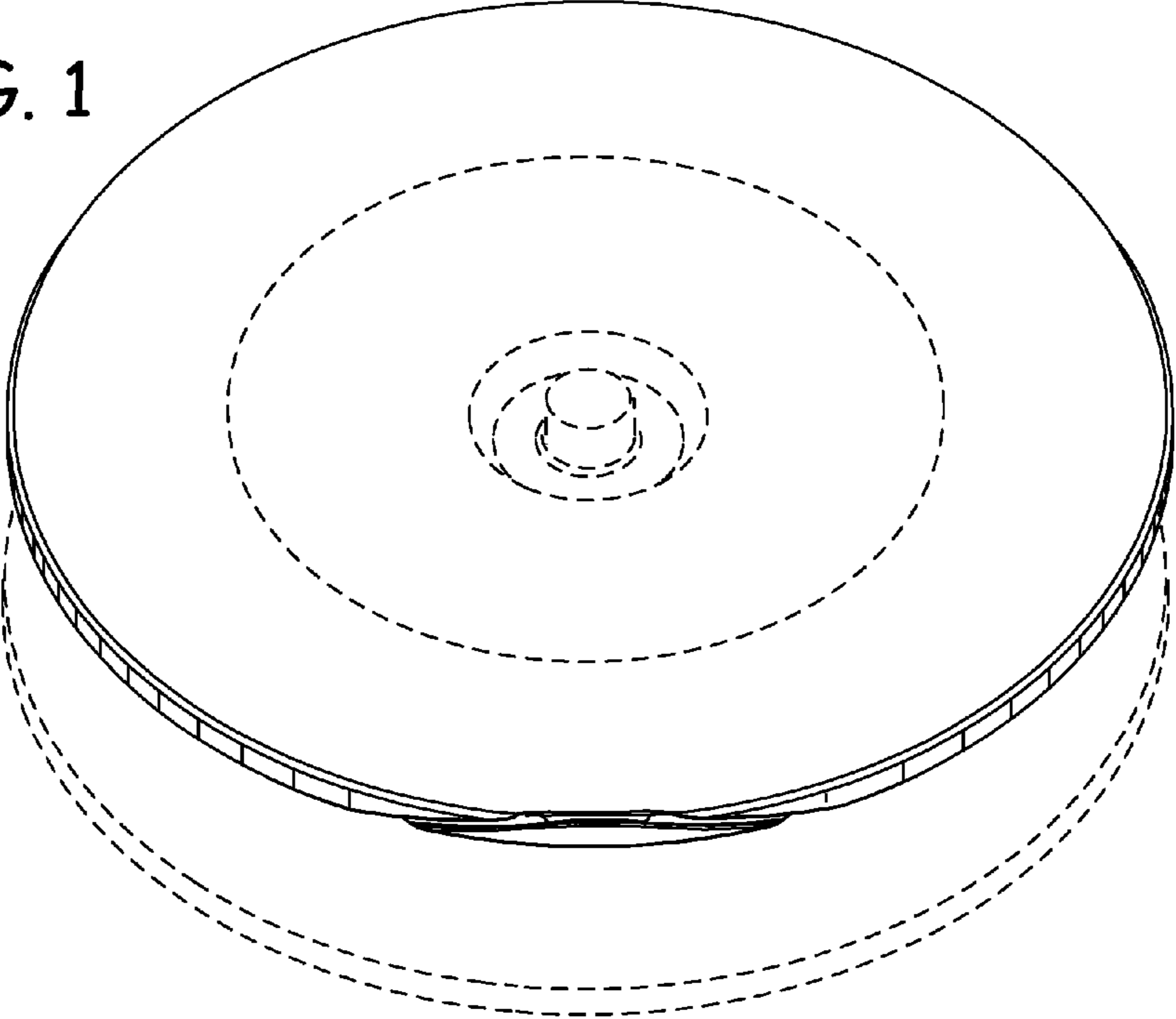


FIG. 2

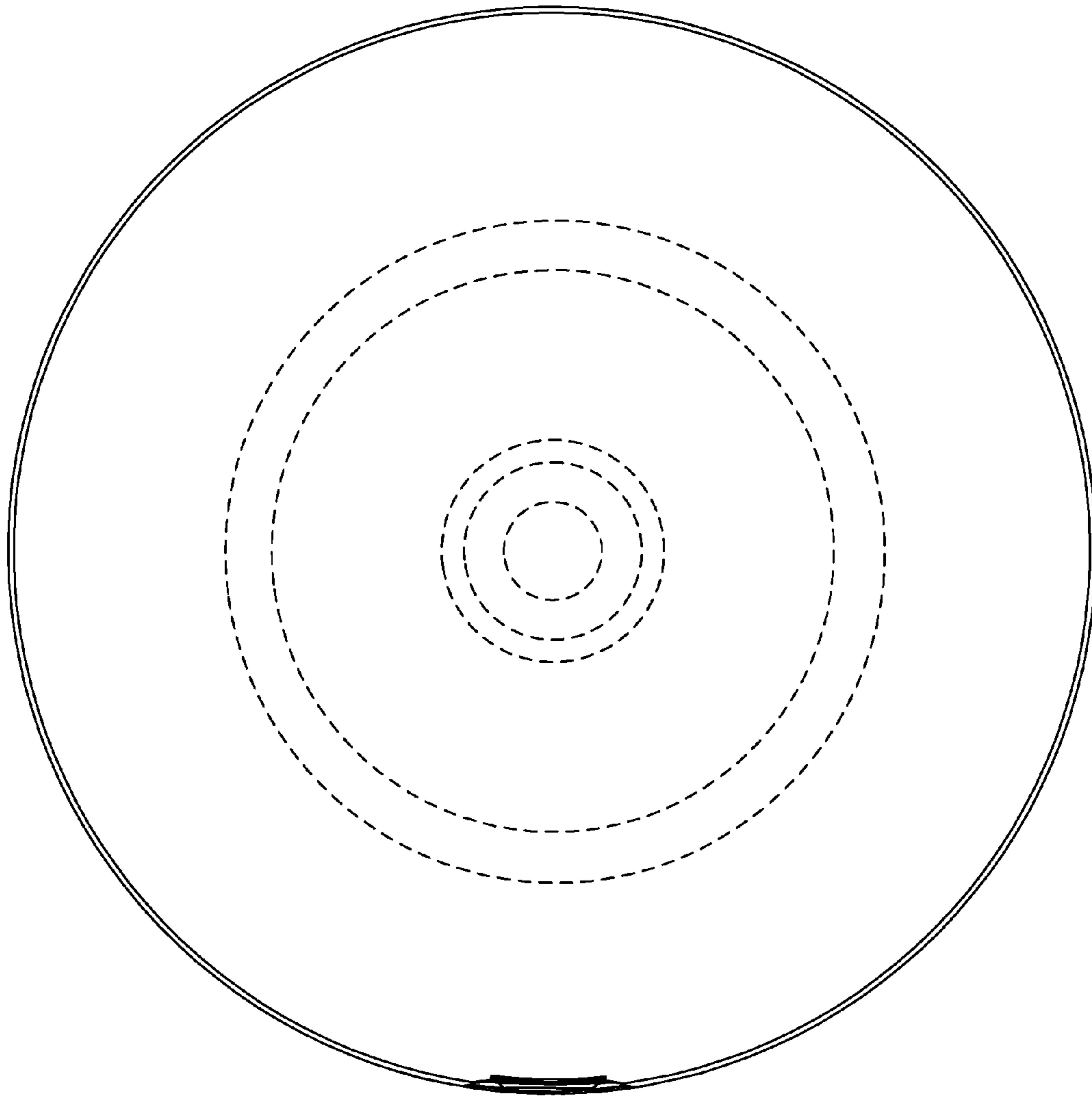


FIG. 3

