



US00D618084S

(12) **United States Design Patent**
Karabatsos

(10) **Patent No.:** **US D618,084 S**
(45) **Date of Patent:** **** Jun. 22, 2010**

(54) **DEADBOLT COVER**

(76) Inventor: **John Karabatsos**, 3035 Abby La.,
Schererville, IN (US) 46375

(**) Term: **14 Years**

(21) Appl. No.: **29/350,227**

(22) Filed: **Nov. 12, 2009**

(51) **LOC (9) Cl.** **08-07**

(52) **U.S. Cl.** **D8/346; D8/343**

(58) **Field of Classification Search** D8/330,
D8/331, 338, 340, 341, 343, 346; 70/14,
70/57, 57.1, 51, 52, 54, 55, 111, 158, 229-232,
70/DIG. 26, DIG. 56, 416; 292/2, 243, 253,
292/289, 346

See application file for complete search history.

(56) **References Cited**

U.S. PATENT DOCUMENTS

3,174,788	A	3/1965	Williams	
4,082,351	A	4/1978	Chrones	
4,570,470	A	2/1986	Gray, Sr.	
4,575,141	A	3/1986	Burns	
4,838,059	A	6/1989	Johnson	
5,077,996	A *	1/1992	Lien	70/284
5,144,821	A *	9/1992	Ernesti et al.	70/159
5,425,256	A	6/1995	Crosby	
5,615,567	A	4/1997	Kemp	
D384,267	S *	9/1997	Giles	D8/346
5,689,984	A *	11/1997	Diculescu et al.	70/416
D391,469	S	3/1998	Foushee	
D397,026	S *	8/1998	Drake	D8/346

D406,045	S *	2/1999	Turner	D8/346
5,865,050	A *	2/1999	Michaud et al.	70/416
5,934,122	A *	8/1999	Edwards et al.	70/416
D437,542	S *	2/2001	Mimlitch et al.	D8/346
6,324,879	B1	12/2001	Kennedy	
6,658,906	B1	12/2003	Wright	
D512,901	S *	12/2005	Haber	D8/346
D527,614	S *	9/2006	St. James	D8/346
D548,037	S *	8/2007	Ott et al.	D8/302

* cited by examiner

Primary Examiner—Prabhakar Deshmukh

(57) **CLAIM**

The ornamental design for a deadbolt cover, as shown and described.

DESCRIPTION

FIG. 1 is a perspective view of a deadbolt cover showing my new design;

FIG. 2 is a front view thereof;

FIG. 3 is a back view thereof;

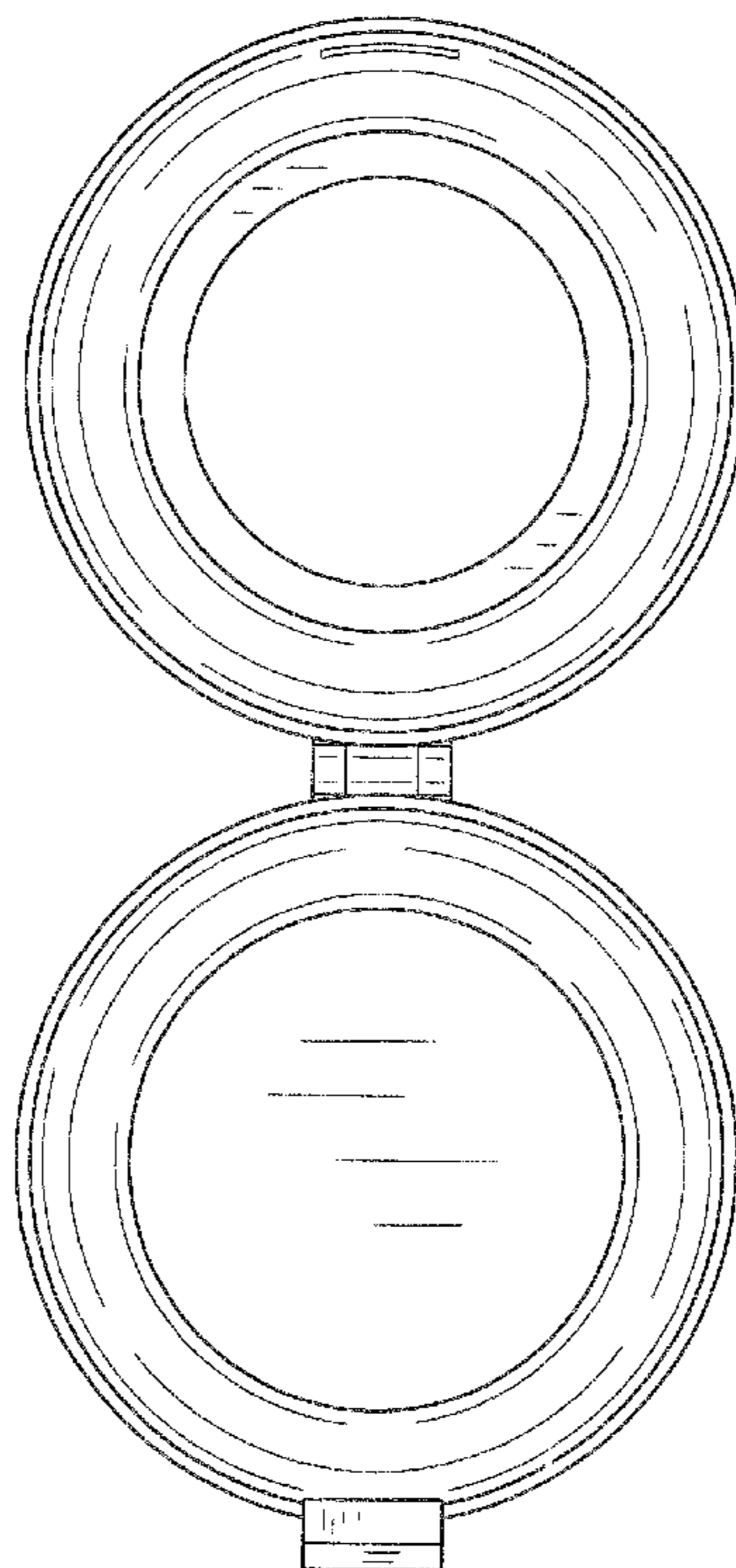
FIG. 4 is a side view thereof; (opposite side view is mirror image)

FIG. 5 is a top view thereof; and,

FIG. 6 is a bottom view thereof.

In FIG. 1, the broken lines showing of environmental structure for purposes of illustrating the deadbolt cover in a condition of use. The broken lines and the structure they depict form no part of the claimed design.

1 Claim, 3 Drawing Sheets



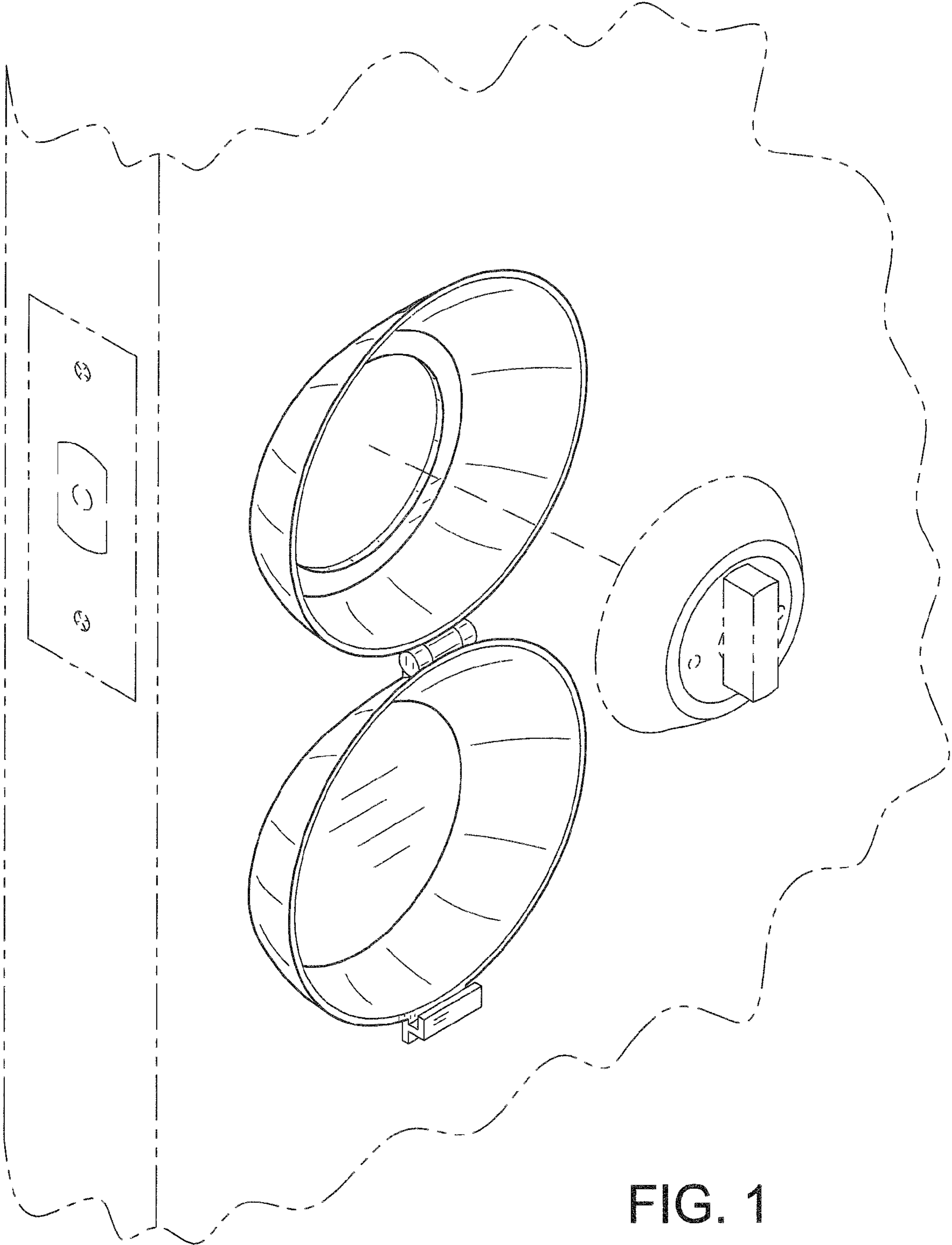


FIG. 1

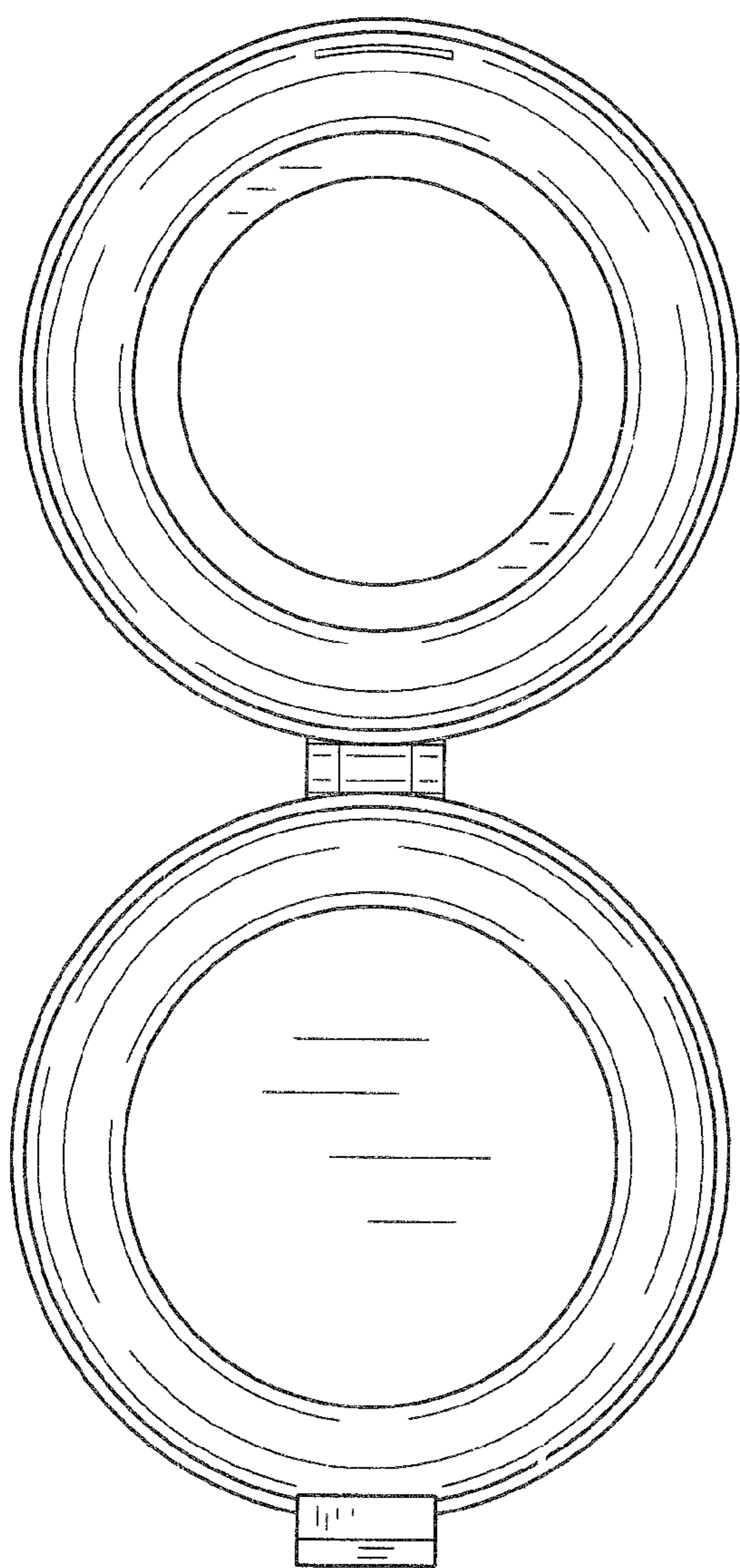


FIG. 2

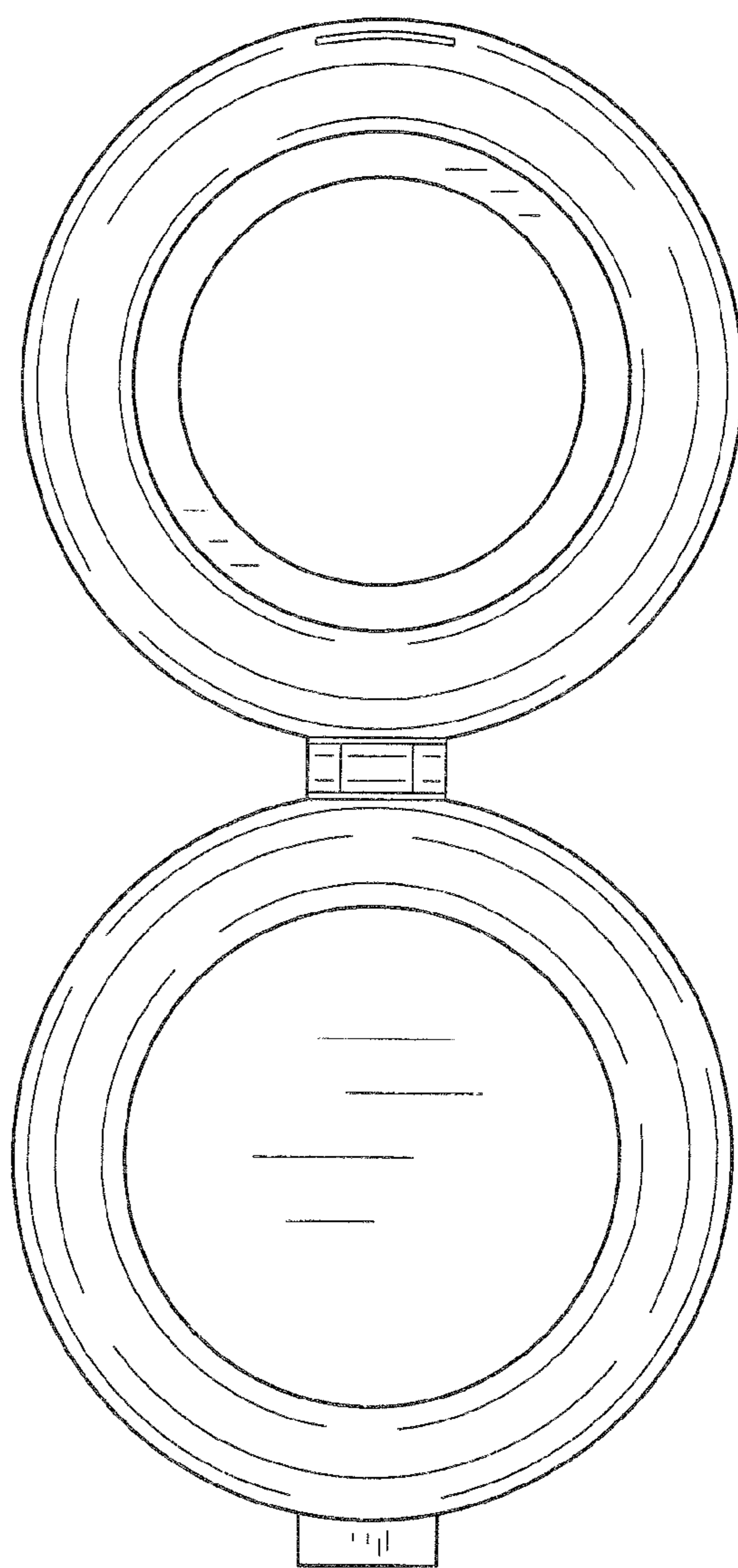


FIG. 3

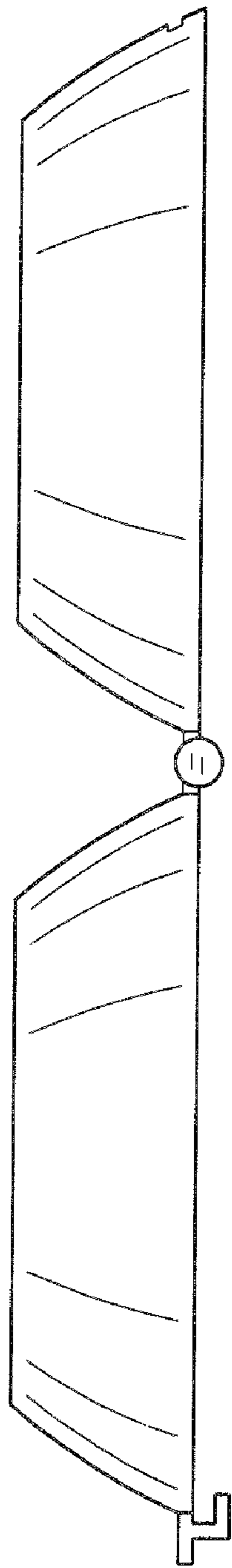


FIG. 4

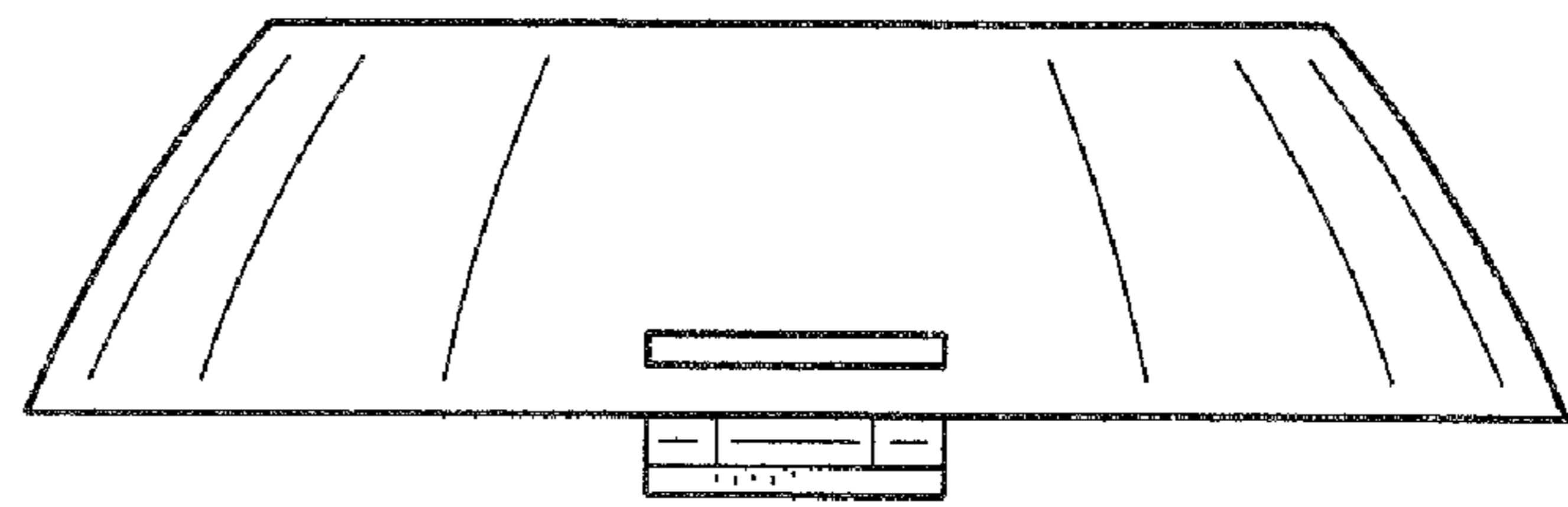


FIG. 5

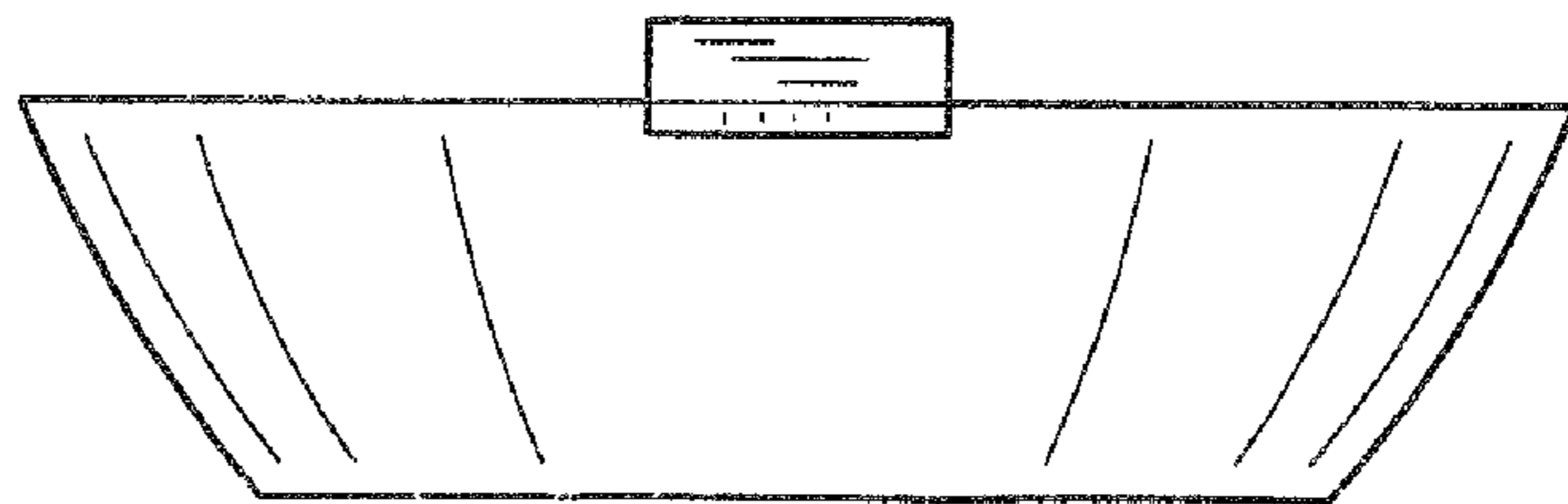


FIG. 6