



US00D618081S

(12) **United States Design Patent**  
**Moyer**

(10) **Patent No.:** **US D618,081 S**

(45) **Date of Patent:** **\*\* Jun. 22, 2010**

(54) **ELECTRONIC LOCK**

6,919,824 B2 \* 7/2005 Lee ..... 341/20  
D513,582 S \* 1/2006 Osiecki et al. .... D8/343  
D609,994 S \* 2/2010 Nunez et al. .... D8/331

(75) Inventor: **David A. Moyer**, Wampum, PA (US)

(73) Assignee: **HMC Holdings, LLC**, Wampum, PA (US)

\* cited by examiner

*Primary Examiner*—Prabhakar Deshmukh  
(74) *Attorney, Agent, or Firm*—Vangelis Economou;  
Economou IP Law

(\*\*) Term: **14 Years**

(21) Appl. No.: **29/352,495**

(57) **CLAIM**

(22) Filed: **Dec. 22, 2009**

The ornamental design of an electronic lock, as shown and described.

(51) **LOC (9) Cl.** ..... **08-07**

(52) **U.S. Cl.** ..... **D8/331; D8/330**

(58) **Field of Classification Search** ..... D8/330,  
D8/331, 343, 345, 301; 70/14, 20, 57, 58,  
70/22, 158, 266, 277, 286, 291, 294, 448,  
70/51, 52, 416, 33 R

**DESCRIPTION**

See application file for complete search history.

FIG. 1 is perspective view of the electronic lock showing my new design;

FIG. 2 is top view thereof;

FIG. 3 is a front elevational view thereof;

FIG. 4 is a bottom view back view thereof;

FIG. 5 is rear elevational view thereof;

FIG. 6 is a left side elevational view thereof; and,

FIG. 7 is a right side elevational view thereof.

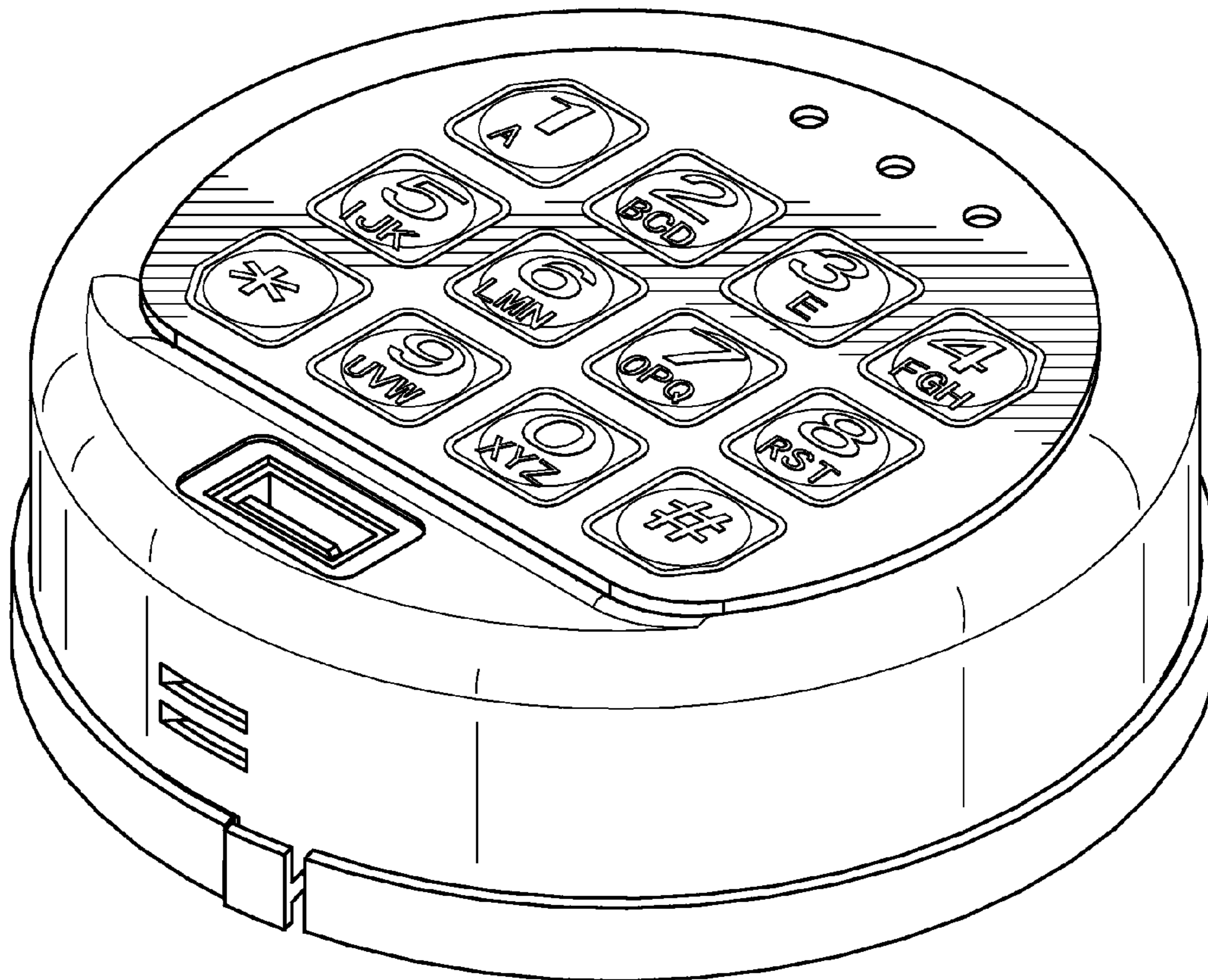
The inventive electronic lock provides an ornamental lock for cabinets.

(56) **References Cited**

**U.S. PATENT DOCUMENTS**

5,387,903 A \* 2/1995 Cutter et al. .... 340/5.28  
D388,308 S \* 12/1997 Evans et al. .... D8/330  
D388,309 S \* 12/1997 Hamilton et al. .... D8/330  
6,016,677 A \* 1/2000 Clark ..... 70/416  
D438,447 S \* 3/2001 Gartner ..... D8/331  
D484,390 S \* 12/2003 Abernethy et al. .... D8/331  
D495,587 S \* 9/2004 Kelleghan ..... D8/356

**1 Claim, 4 Drawing Sheets**



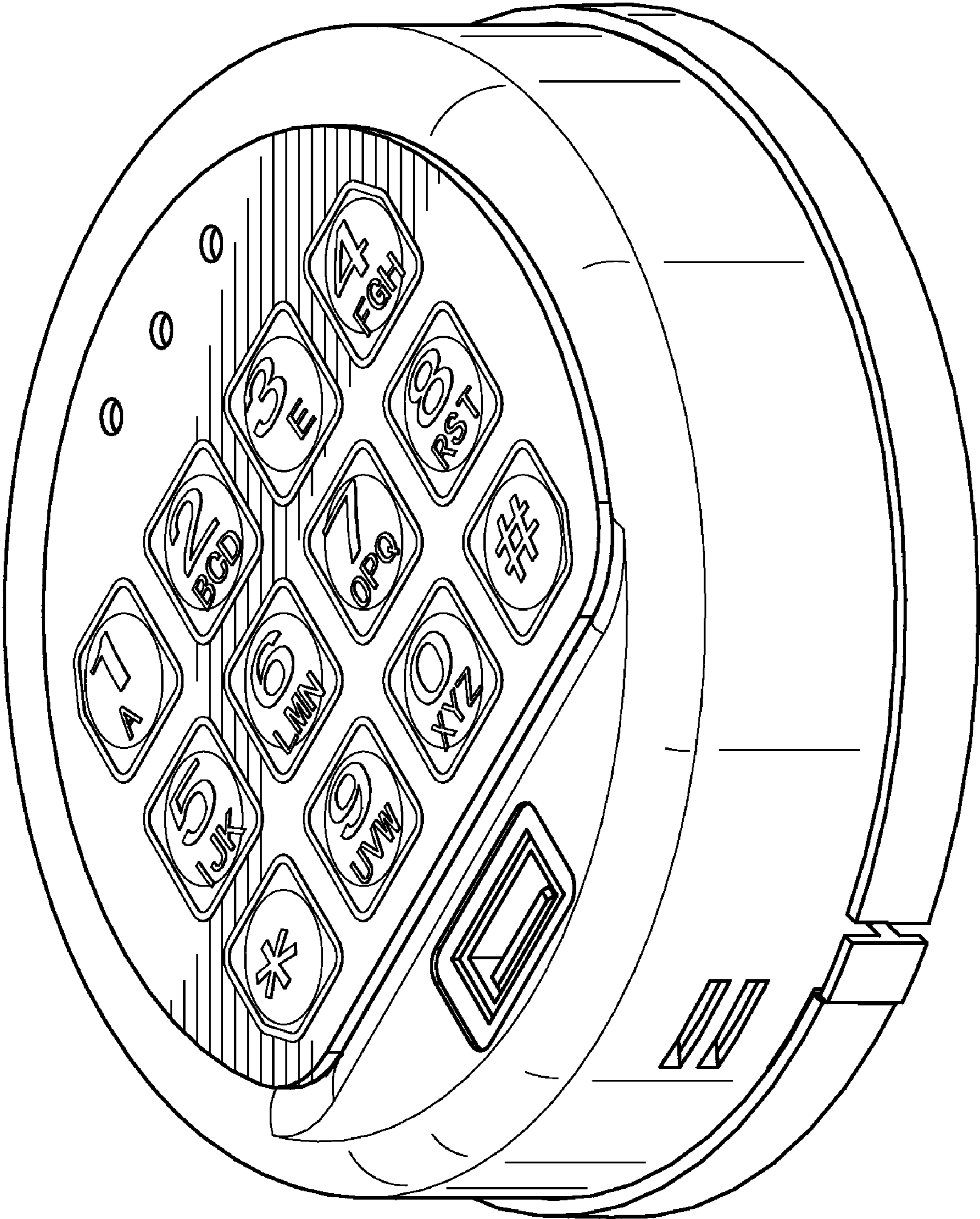


FIG. 1

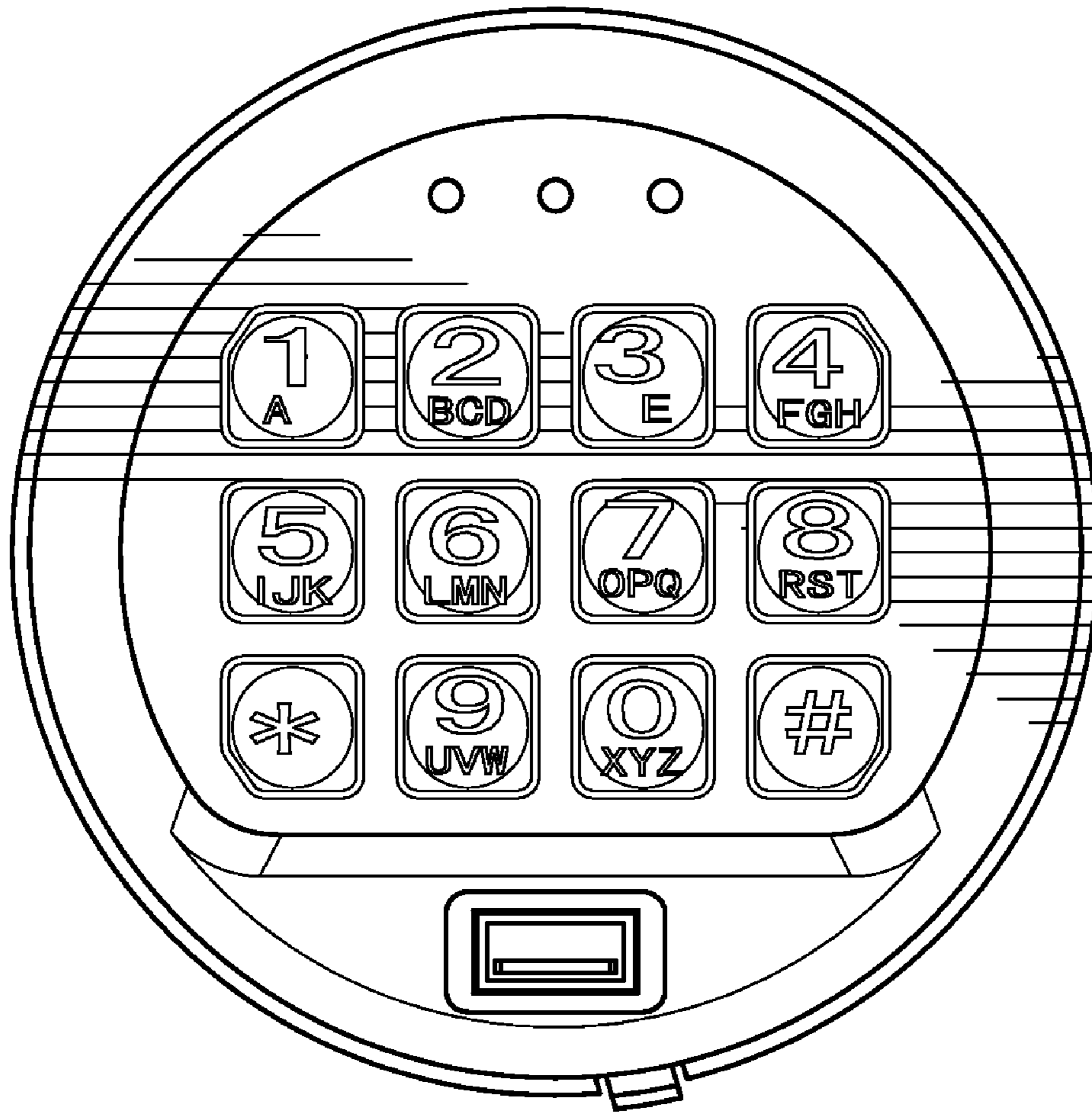


FIG. 2

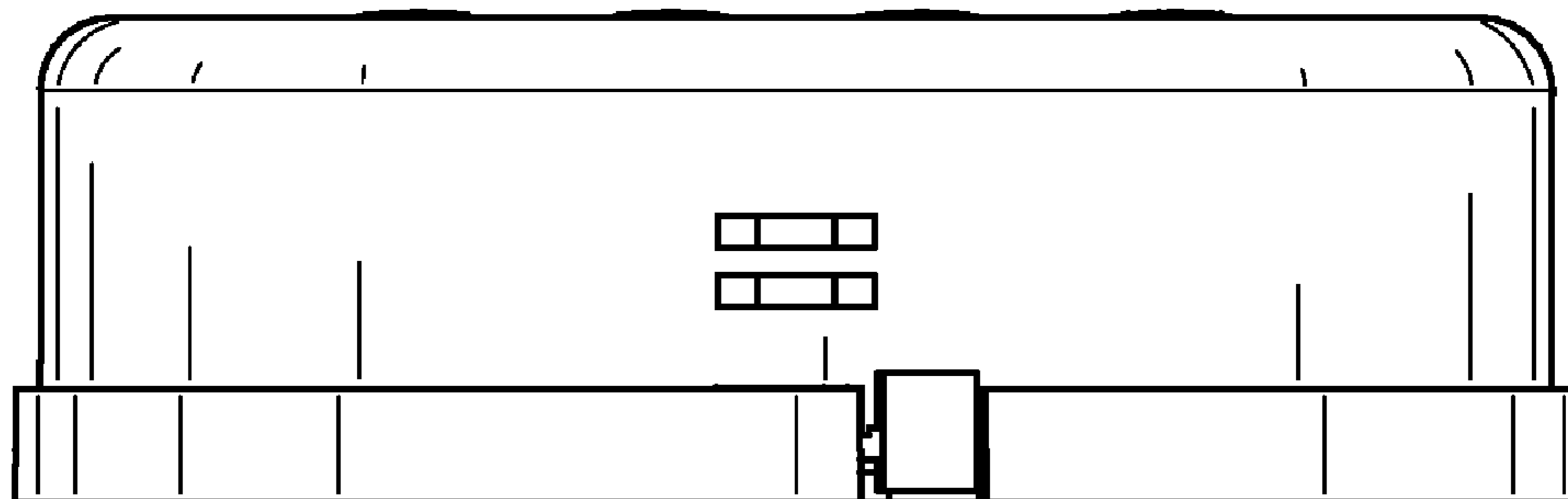
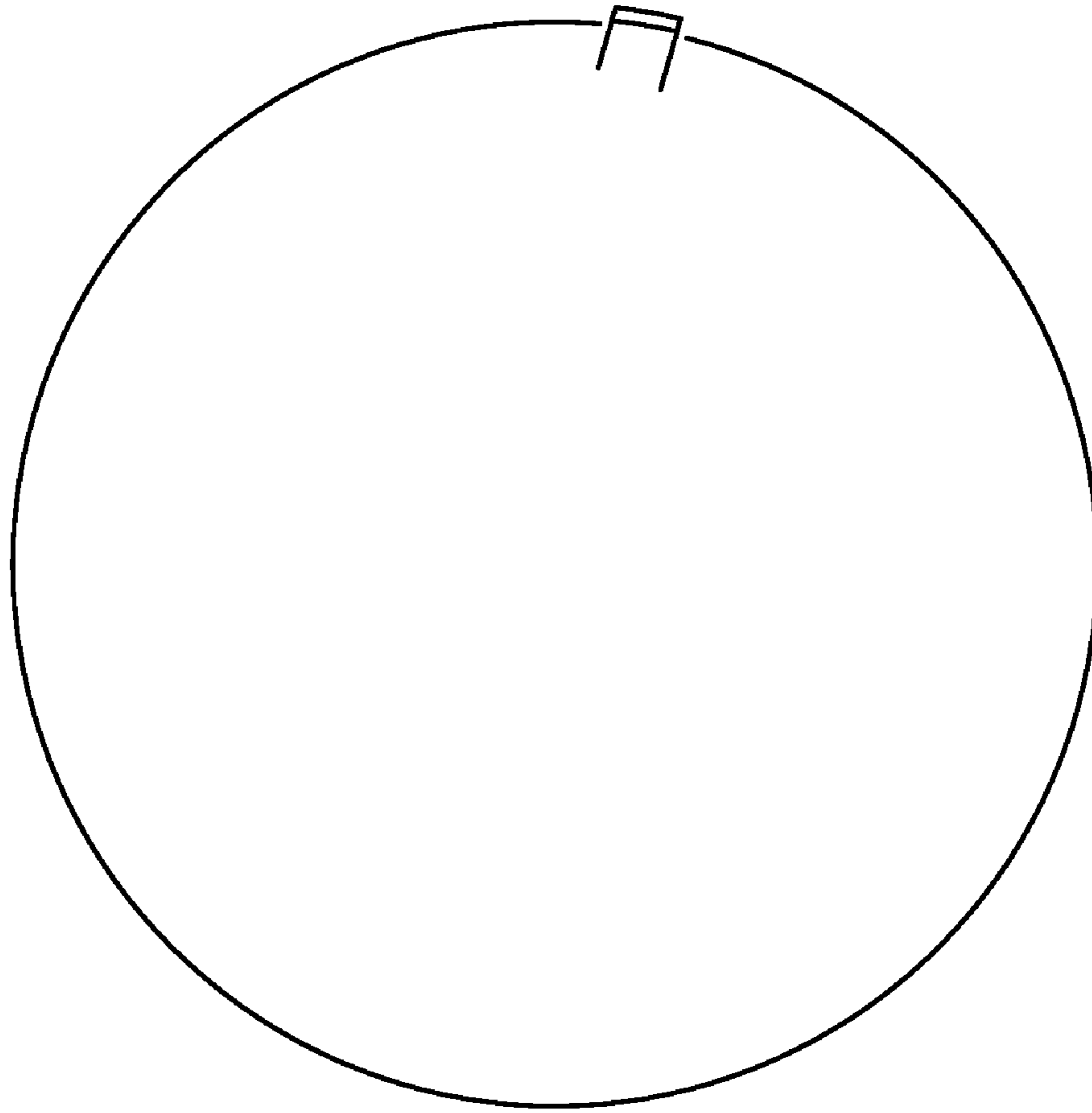
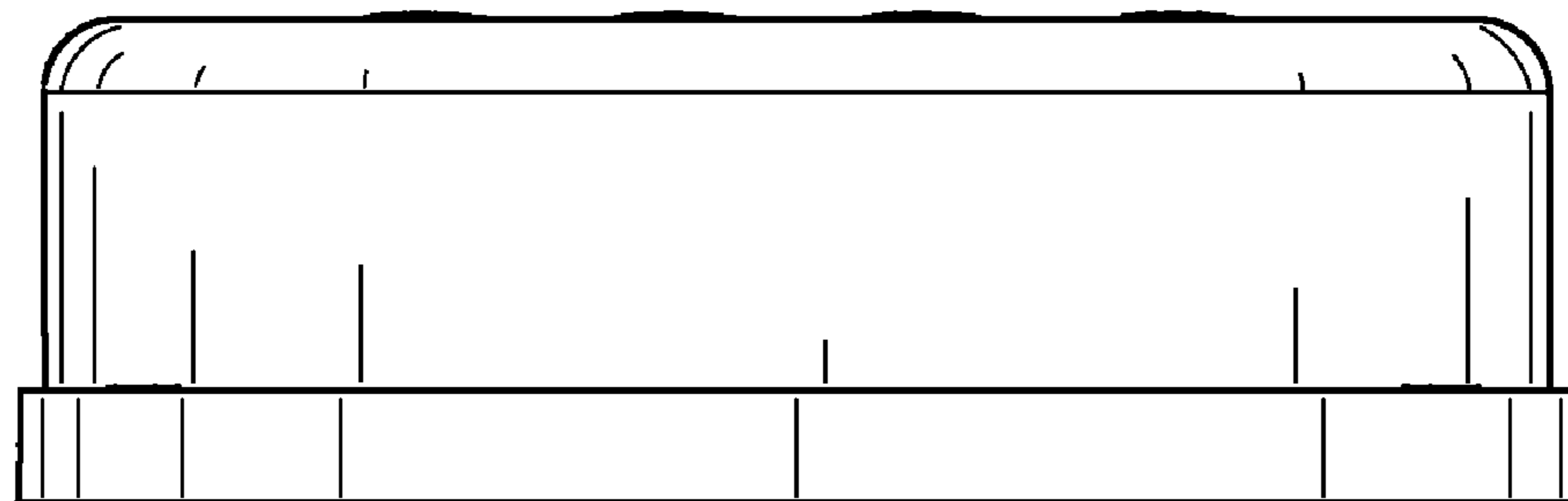


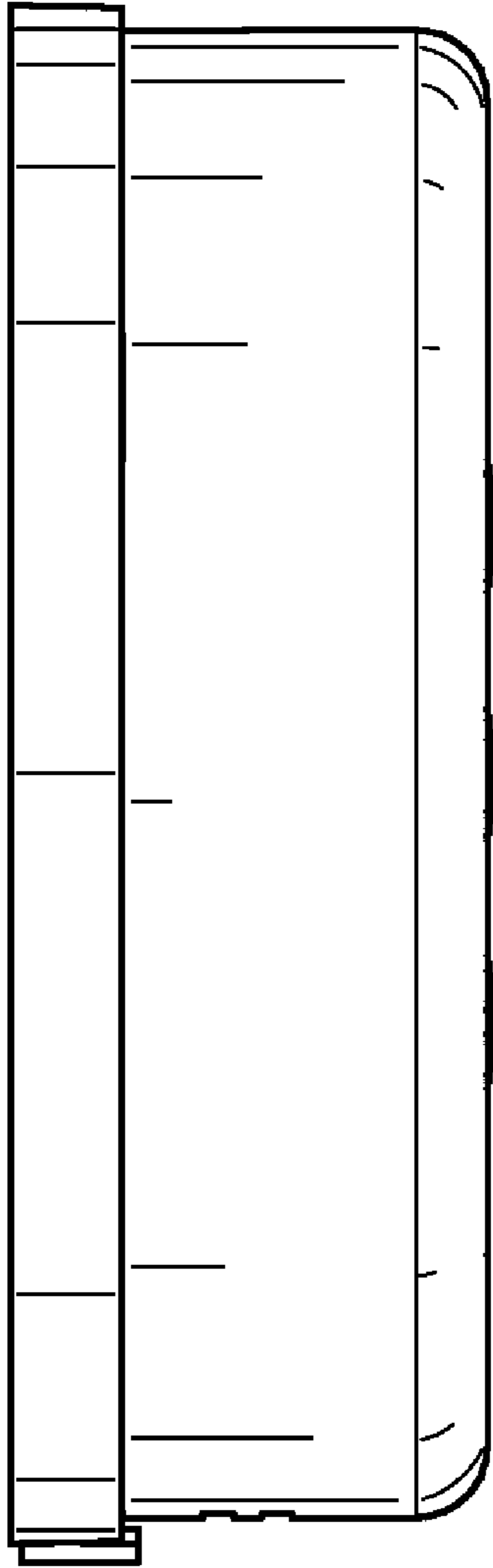
FIG. 3



**FIG. 4**



**FIG. 5**



**FIG. 6**



**FIG. 7**