



US00D618080S

(12) **United States Design Patent**  
**Baheti et al.**

(10) **Patent No.:** **US D618,080 S**  
(45) **Date of Patent:** **\*\* Jun. 22, 2010**

(54) **BENCH BLOCK**

*Primary Examiner*—Antoine D Davis  
(74) *Attorney, Agent, or Firm*—Foley & Lardner LLP

(76) Inventors: **Ram Baheti**, 2307 E. Artesia Blvd.,  
Long Beach, CA (US) 90805; **Shyam Baheti**, 2307 E. Artesia Blvd., Long  
Beach, CA (US) 90805

(57) **CLAIM**

The ornamental design for a bench block, as shown and described.

(\*\*) Term: **14 Years**

(21) Appl. No.: **29/355,276**

**DESCRIPTION**

(22) Filed: **Feb. 4, 2010**

(51) **LOC (9) Cl.** ..... **08-05**

(52) **U.S. Cl.** ..... **D8/71**

(58) **Field of Classification Search** ..... D8/71;  
D21/484–486, 499, 500; 72/457, 477; 33/567,  
33/567.1; 446/69, 85, 101, 120, 121, 124  
See application file for complete search history.

FIG. 1 is a front, top, right-sided perspective view of the bench block according to the claimed design;

FIG. 2 is a top view of the bench block according to the claimed design;

FIG. 3 is a front, rear, left and right side view of the bench block according to the claimed design;

FIG. 4 is a bottom view of the bench block according to the claimed design;

FIG. 5 is a side view of the two parts of the bench block according to the claimed design; and,

FIG. 6 is a perspective view of the two parts of the bench block according to the claimed design.

The ornamental design which is claimed is shown in solid lines in the drawings. The broken lines in the drawings are for illustrative purposes only and form no part of the claimed design.

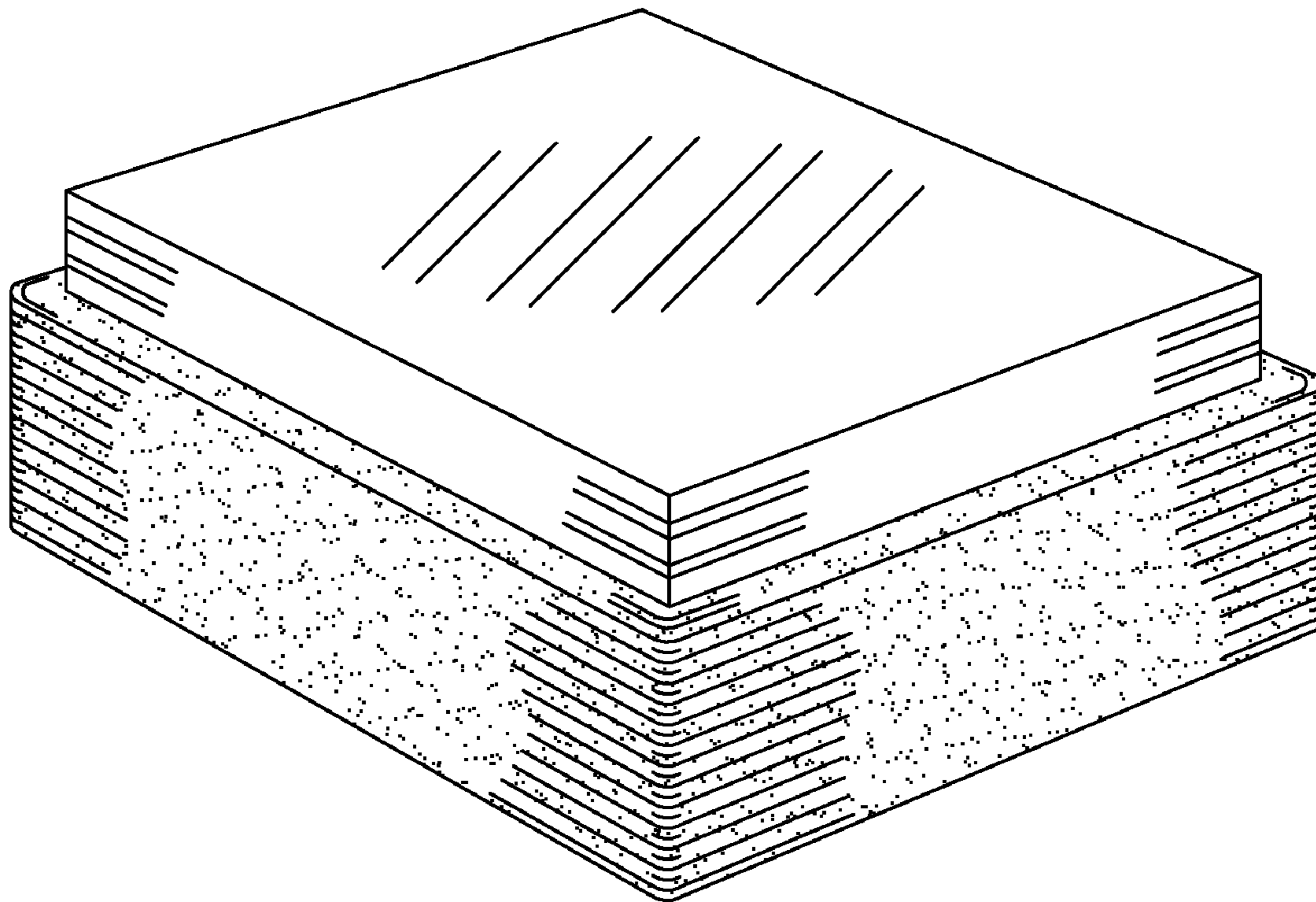
(56) **References Cited**

U.S. PATENT DOCUMENTS

1,426,658	A *	8/1922	McGuckin	.....	33/567
1,923,620	A *	8/1933	Harland	.....	72/457
2,500,313	A *	3/1950	Harrington	.....	33/567
2,772,483	A *	12/1956	Gierlich	.....	33/567
5,109,609	A *	5/1992	Anderson	.....	33/502
5,604,988	A *	2/1997	Costelloe	.....	33/501
D396,498	S *	7/1998	Leslie	.....	D21/500
5,947,786	A *	9/1999	Glick	.....	446/85
D568,418	S *	5/2008	Webster	.....	D21/499

\* cited by examiner

**1 Claim, 6 Drawing Sheets**



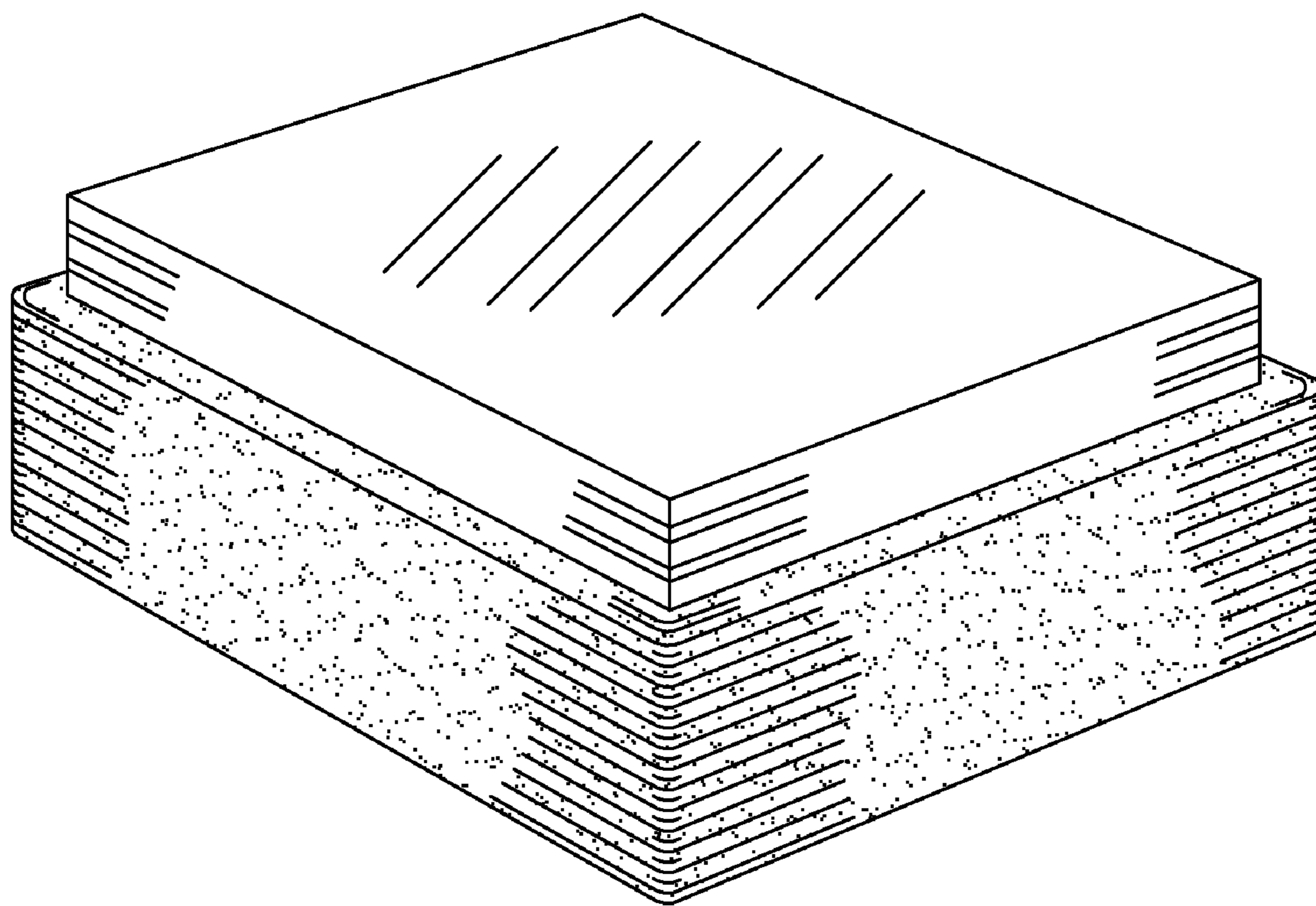


FIGURE 1

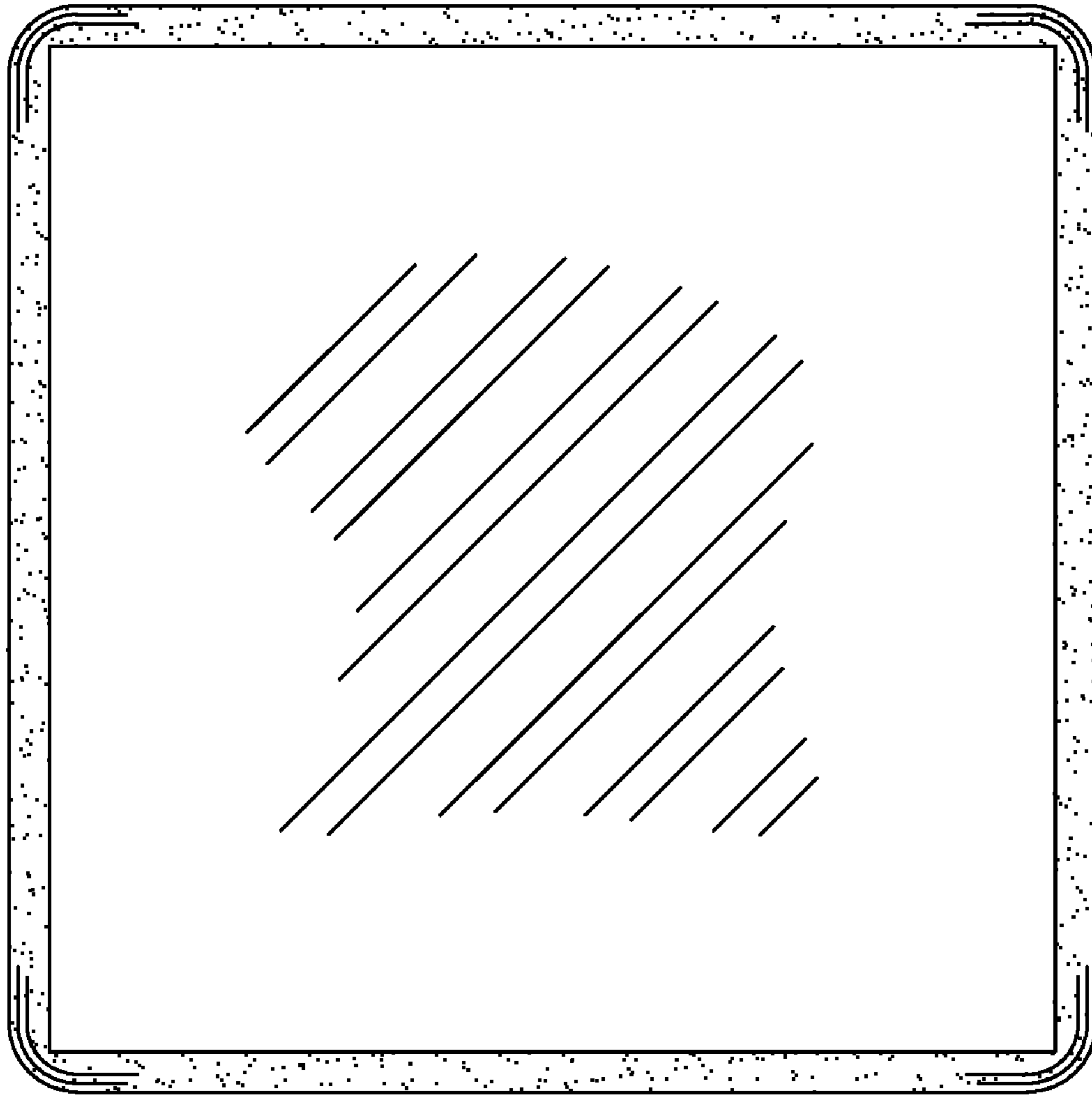


FIGURE 2

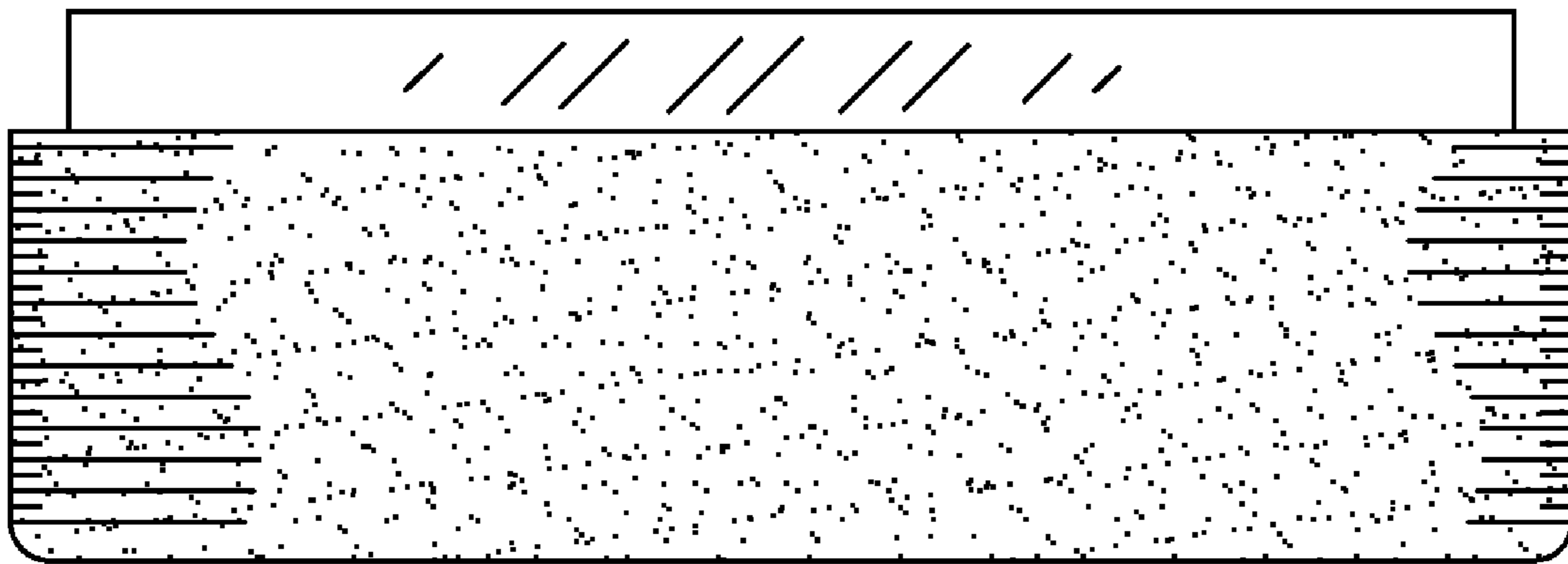


FIGURE 3

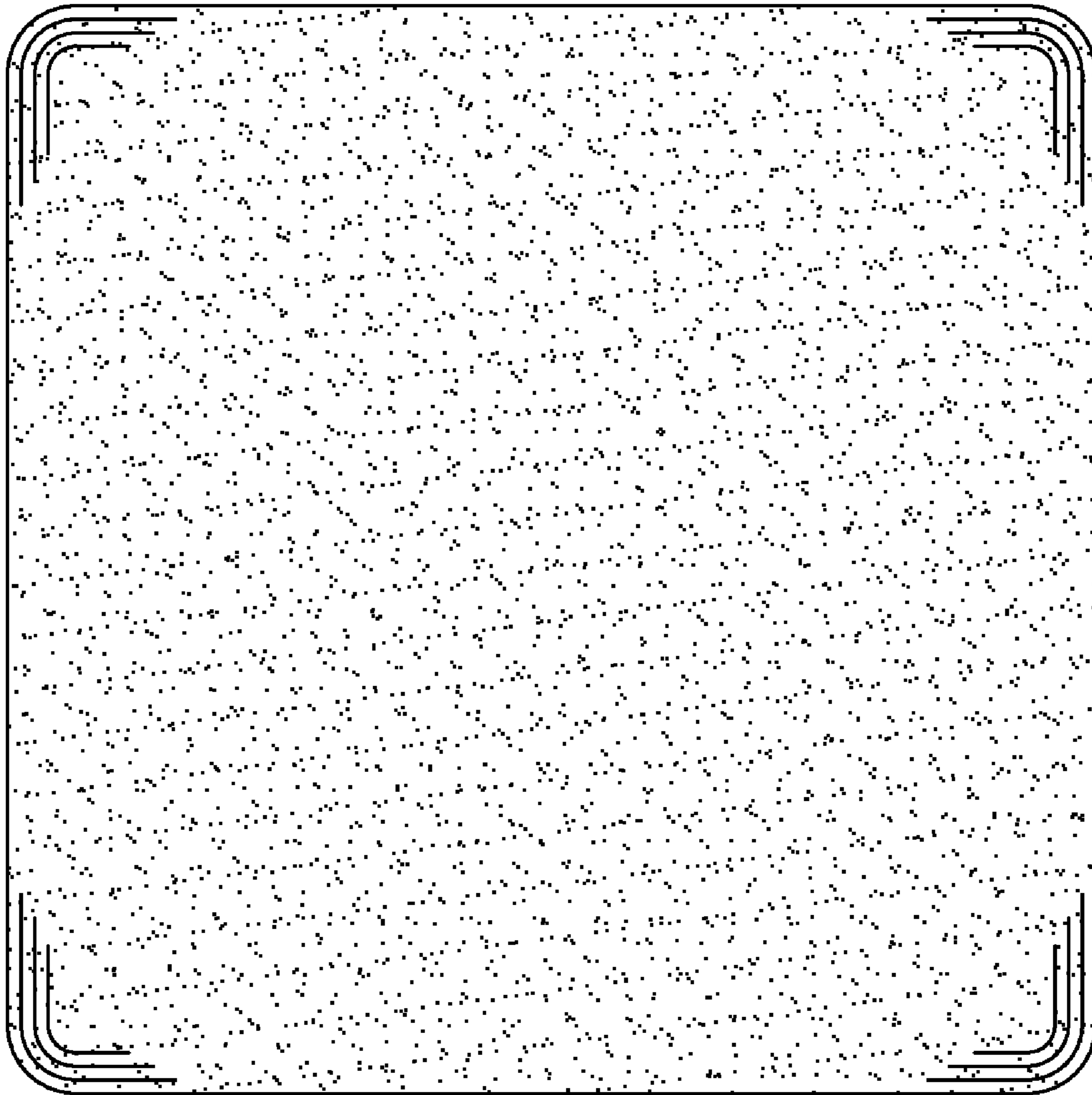


FIGURE 4

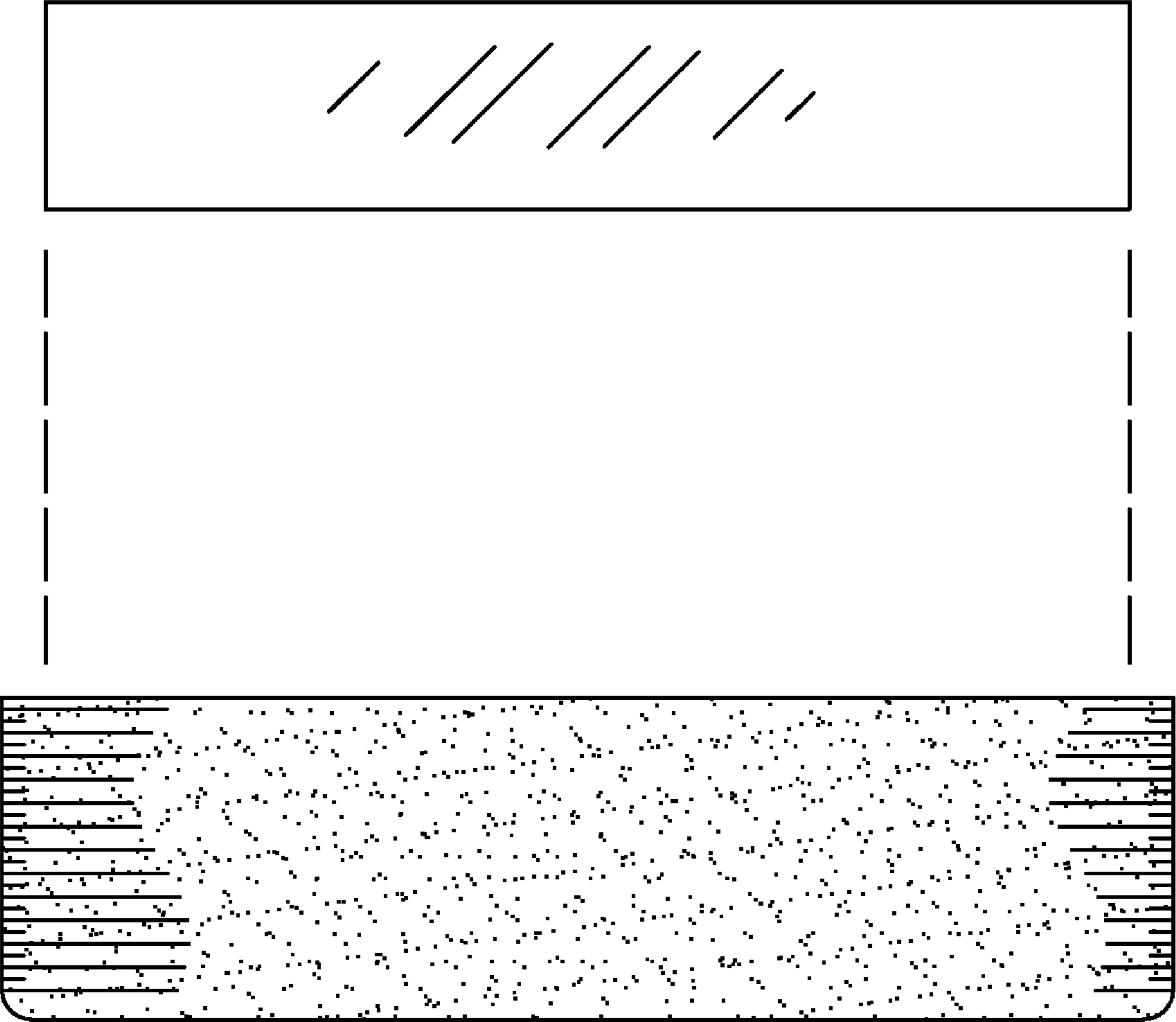


FIGURE 5

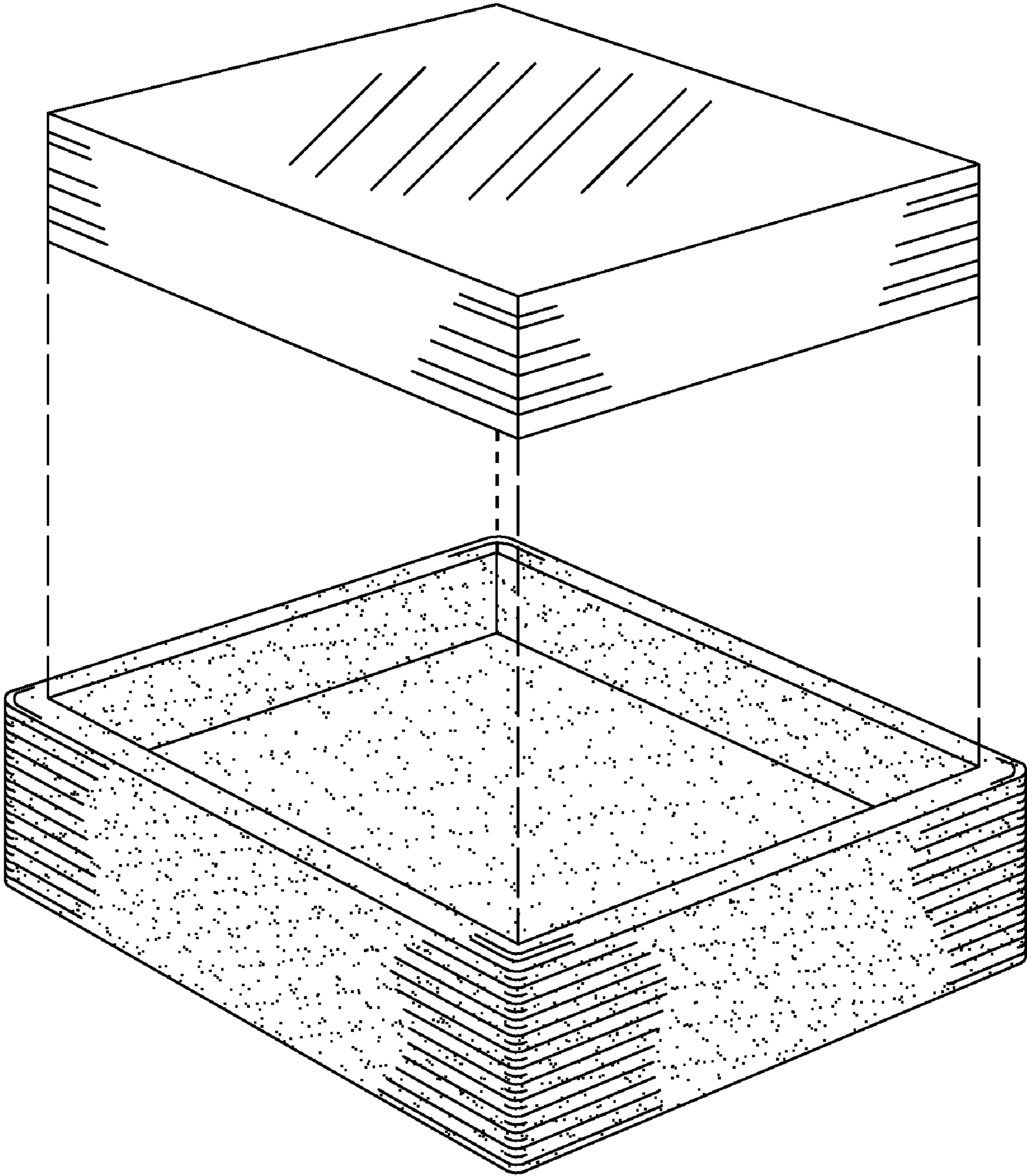


FIGURE 6