



US00D618073S

(12) **United States Design Patent**
Stephens

(10) **Patent No.:** **US D618,073 S**

(45) **Date of Patent:** **** *Jun. 22, 2010**

(54) **PLATE DISPENSER**

(76) **Inventor:** **Kevin A. Stephens**, 3590 N. Mountain Rd., Springdale, AR (US) 72764

(*) **Notice:** This patent is subject to a terminal disclaimer.

(**) **Term:** **14 Years**

(21) **Appl. No.:** **29/314,964**

(22) **Filed:** **May 13, 2009**

(51) **LOC (9) Cl.** **07-06**

(52) **U.S. Cl.** **D7/701**

(58) **Field of Classification Search** D7/213,
D7/388, 397, 400, 505, 590, 600.1–600.4,
D7/602, 606–608, 701, 619.1–619.2, 620,
D7/624.1–624.2, 625, 628, 637, 641, 703;
D6/396, 408, 449, 454, 475, 512, 515–517,
D6/553, 567; 220/737; 211/41.1–41.2, 49.1,
211/59.2–59.3, 71.01; 203/499, 501–502
See application file for complete search history.

(56) **References Cited**

U.S. PATENT DOCUMENTS

D112,751	S	*	12/1938	Bowes	D6/408
2,275,183	A		3/1942	Josephs	242/55.5
2,544,053	A	*	3/1951	Sharaf	211/41.2
2,722,387	A		11/1955	Tuttle	242/55.3
3,002,667	A		10/1961	Buttery	225/48
D320,536	S	*	10/1991	Silbernagel	D7/619.1
5,305,937	A		4/1994	Barnett	225/7
5,894,927	A		4/1999	Bennett	206/438
D414,079	S	*	9/1999	Groom, II	D7/601
D415,378	S	*	10/1999	Fried et al.	D6/515

D550,513	S	*	9/2007	Mazza	D7/620
D585,224	S	*	1/2009	Hwang	D6/553
D592,419	S	*	5/2009	Feeney	D6/408

* cited by examiner

Primary Examiner—Ian Simmons
Assistant Examiner—Dana L Sipos
(74) *Attorney, Agent, or Firm*—Keisling & Pieper, PLC;
Stephen D. Schrantz

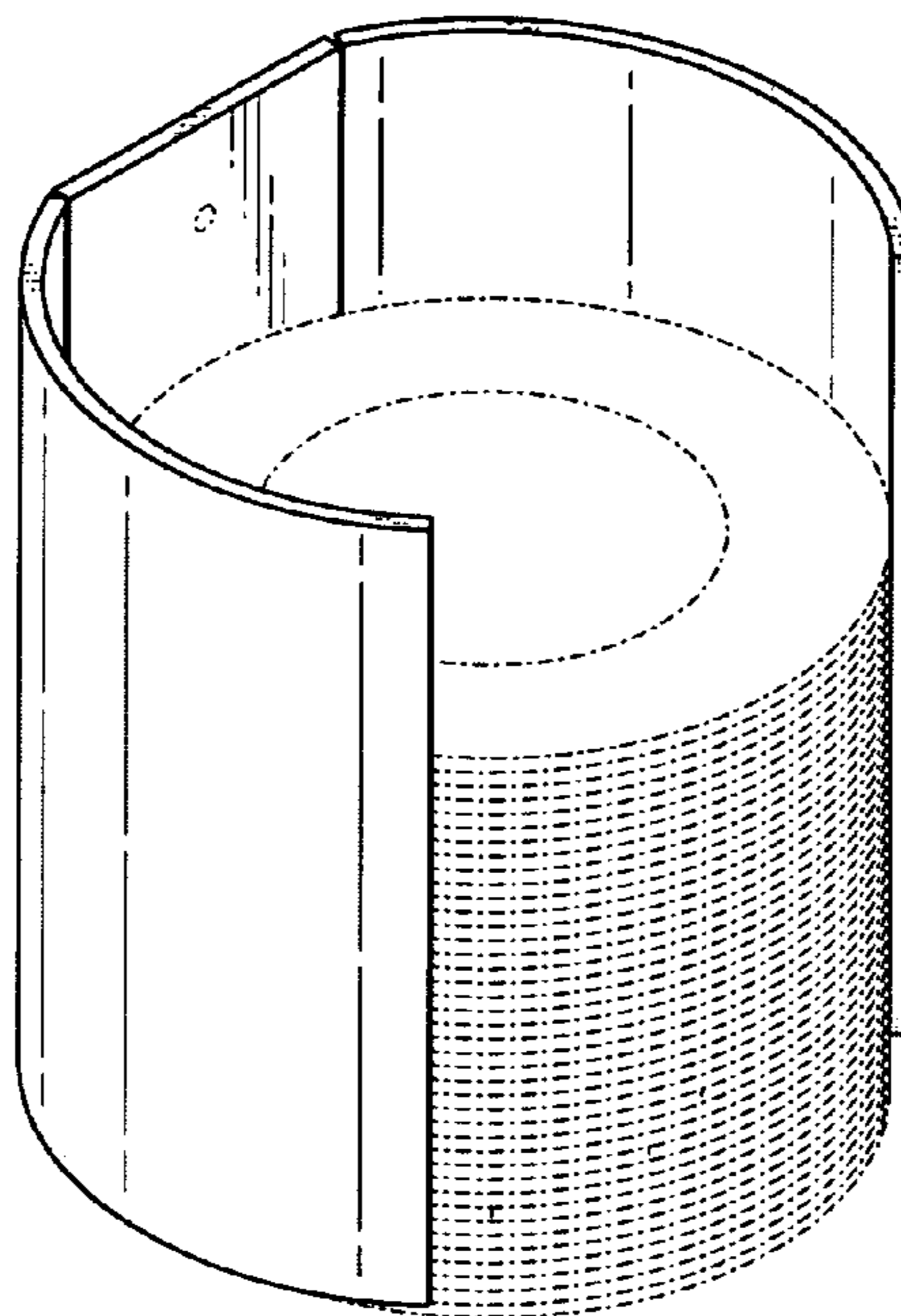
(57) **CLAIM**

The ornamental design for a plate dispenser, as shown and described.

DESCRIPTION

FIG. 1 is a top, front, left side perspective view of a plate dispenser showing my new design;
FIG. 2 is a top, front, left side perspective view thereof;
FIG. 3 is a top, front, left side perspective view thereof, shown in an alternate, slightly expanded position;
FIG. 4 is a front elevation view of the position shown in FIG. 2;
FIG. 5 is a rear elevation view thereof;
FIG. 6 is a right side elevation view thereof;
FIG. 7 is a top plan view thereof;
FIG. 8 is a top plan view of the expanded position shown in FIG. 3; and,
FIG. 9 is a bottom plan view of the position shown in FIG. 2.
Portions shown in broken line are for illustrative purposes only and form no part of the claimed design.

1 Claim, 3 Drawing Sheets



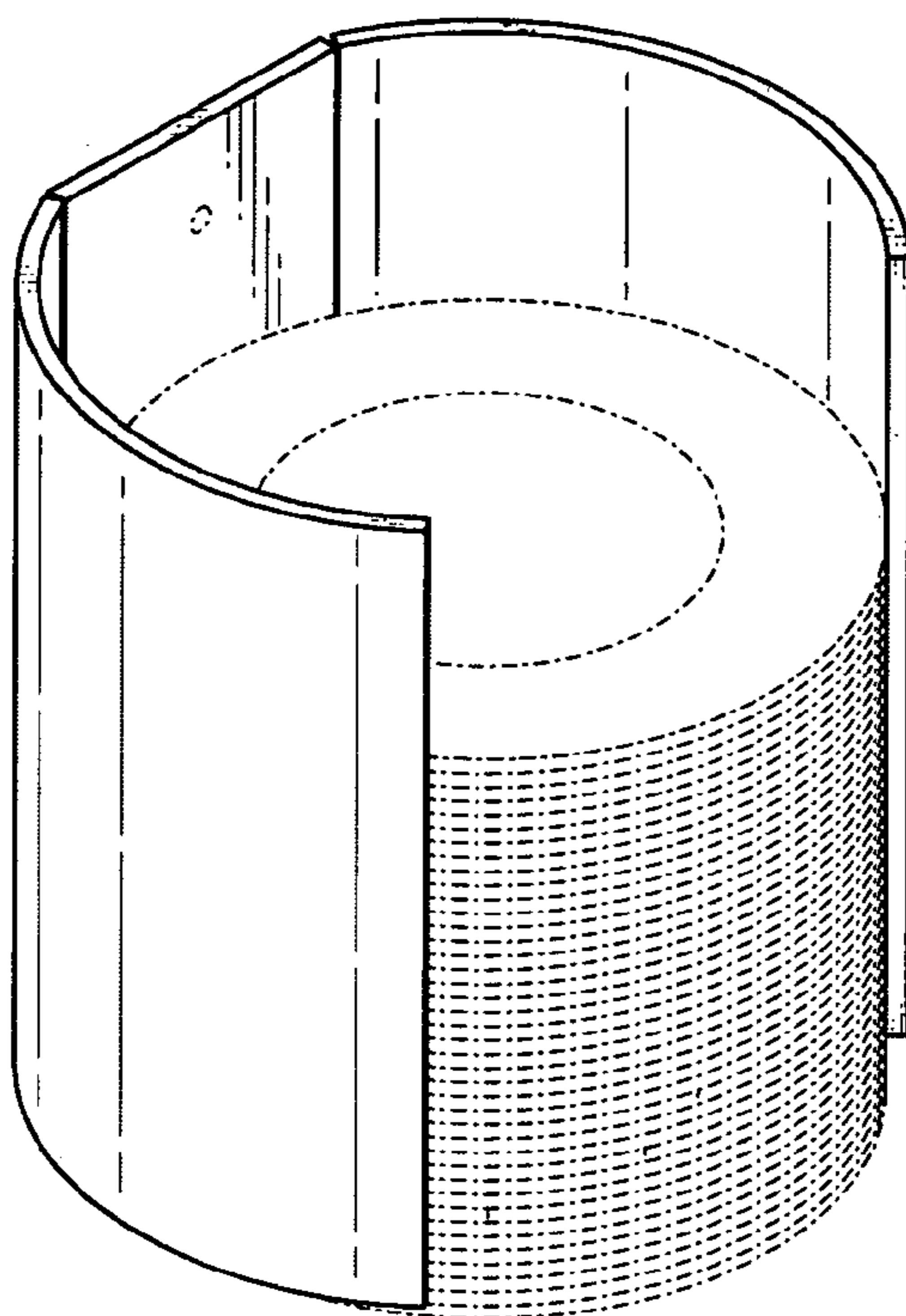


FIG. 1

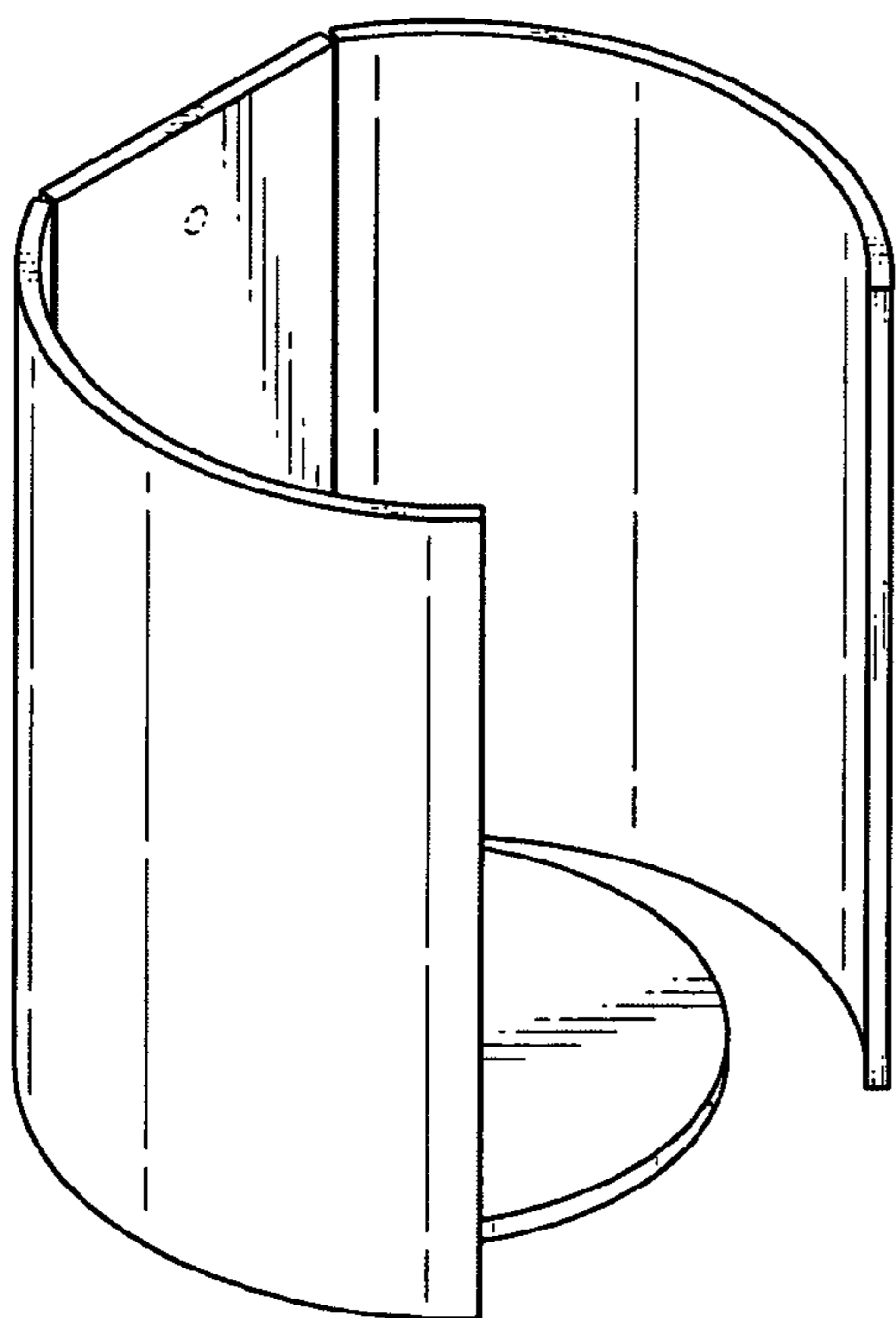


FIG. 2

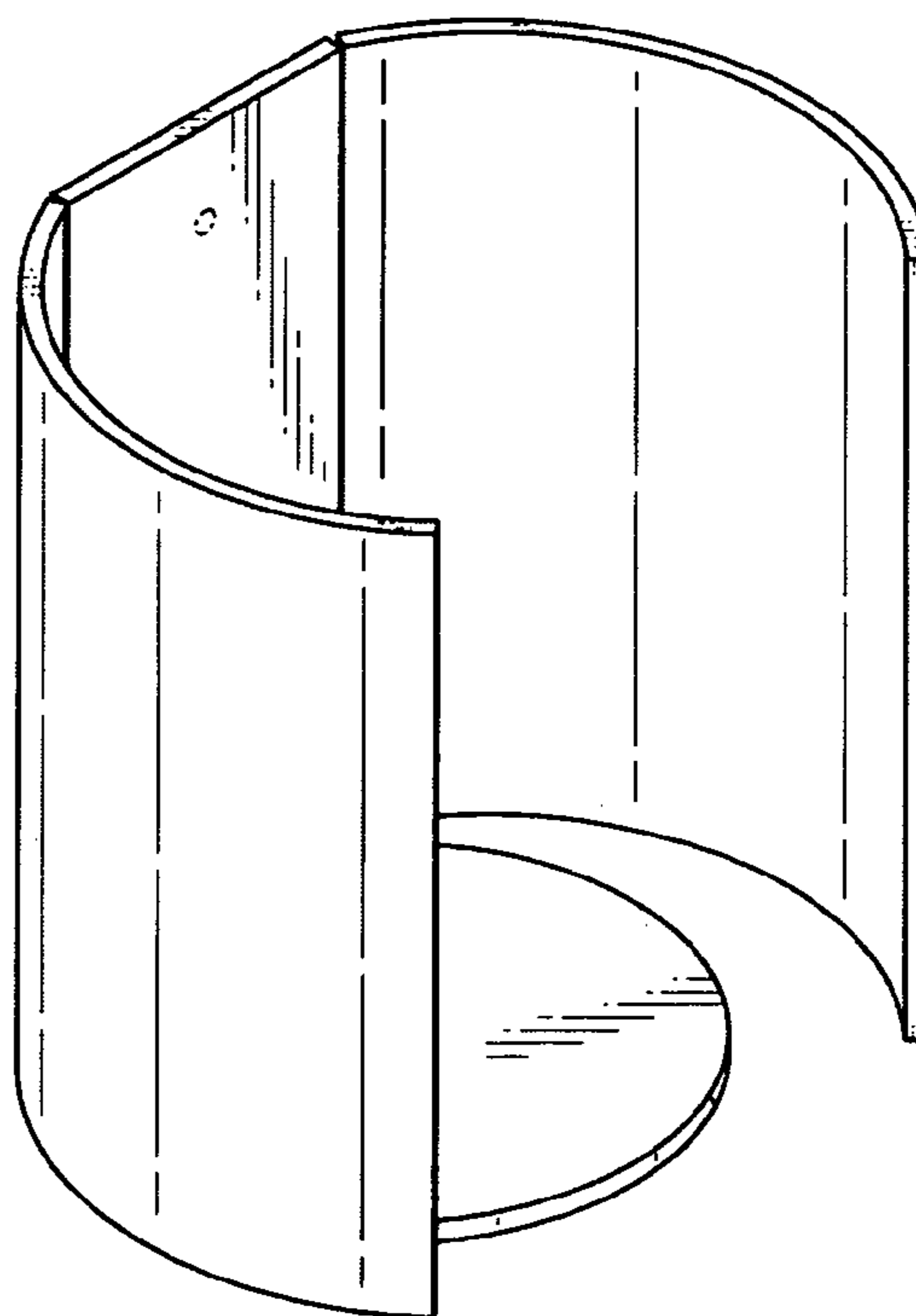


FIG. 3

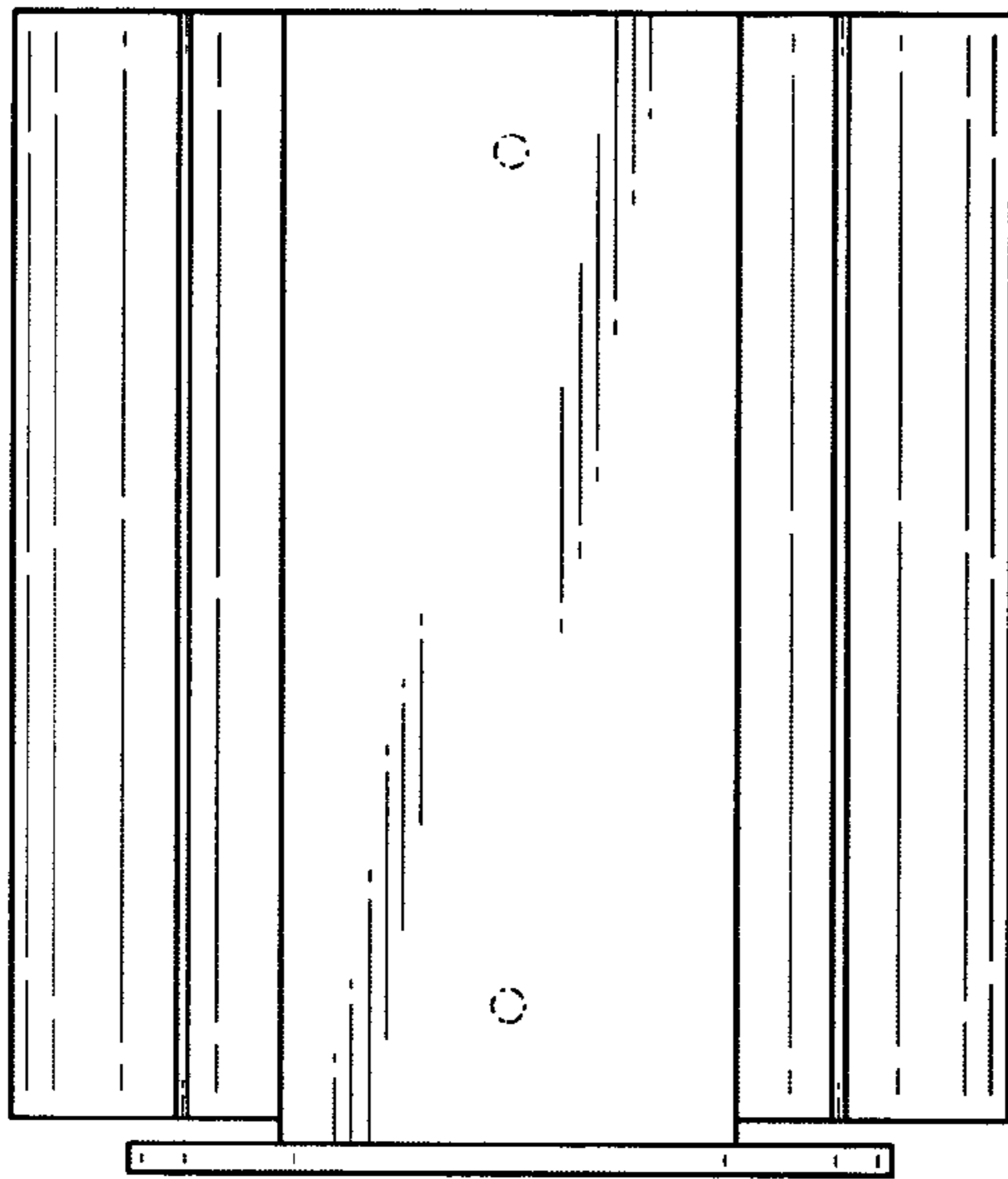


FIG. 4

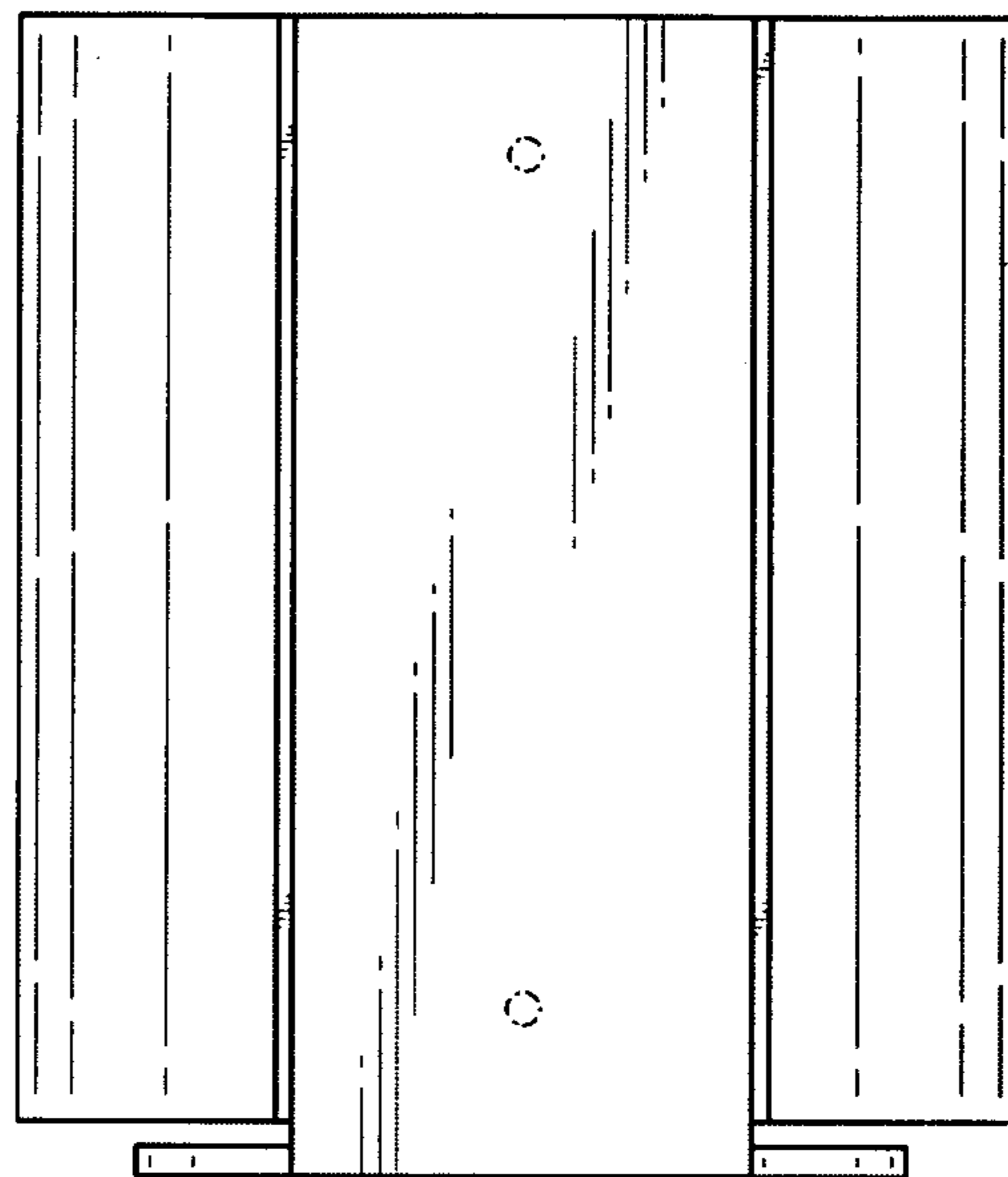


FIG. 5

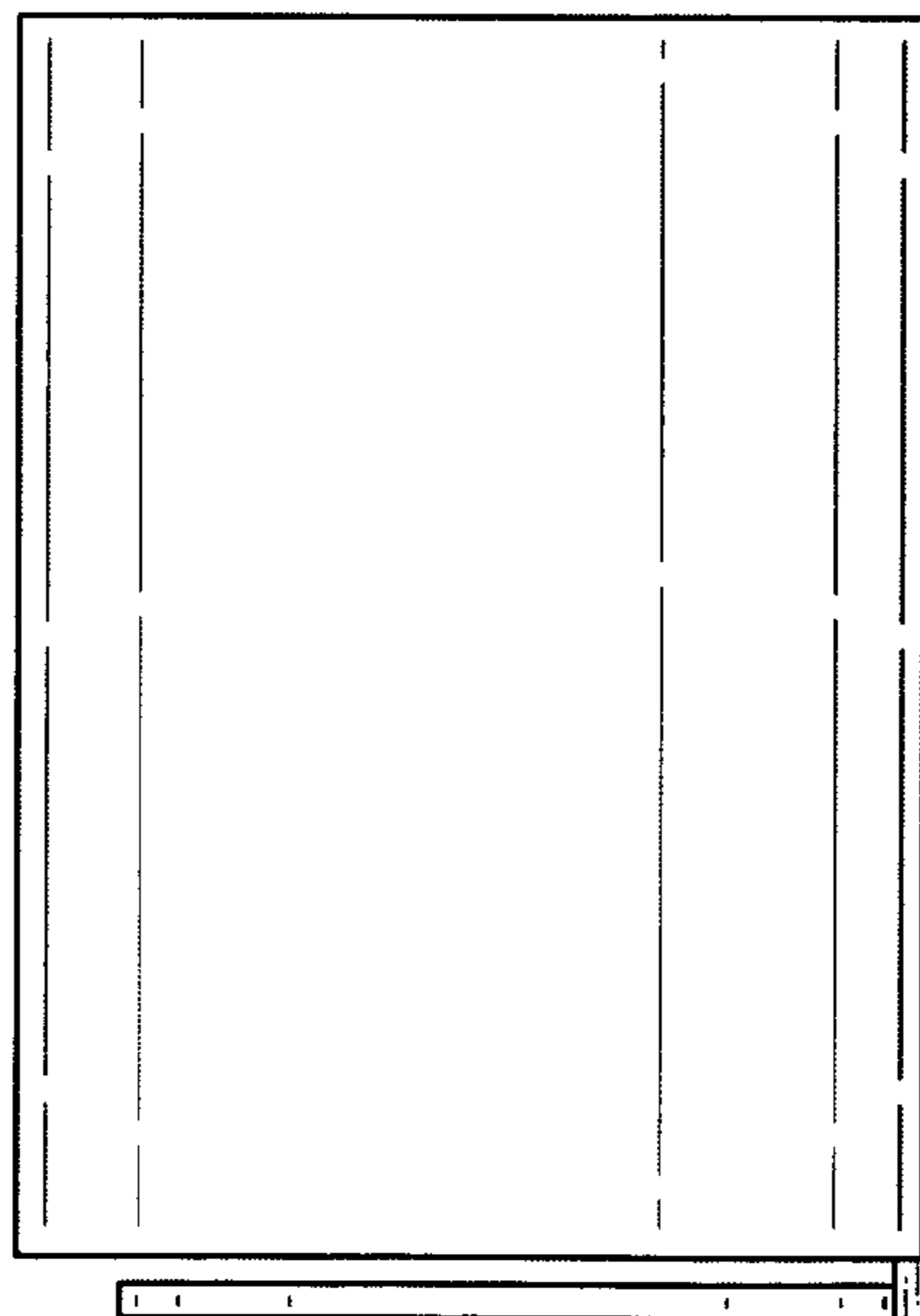


FIG. 6

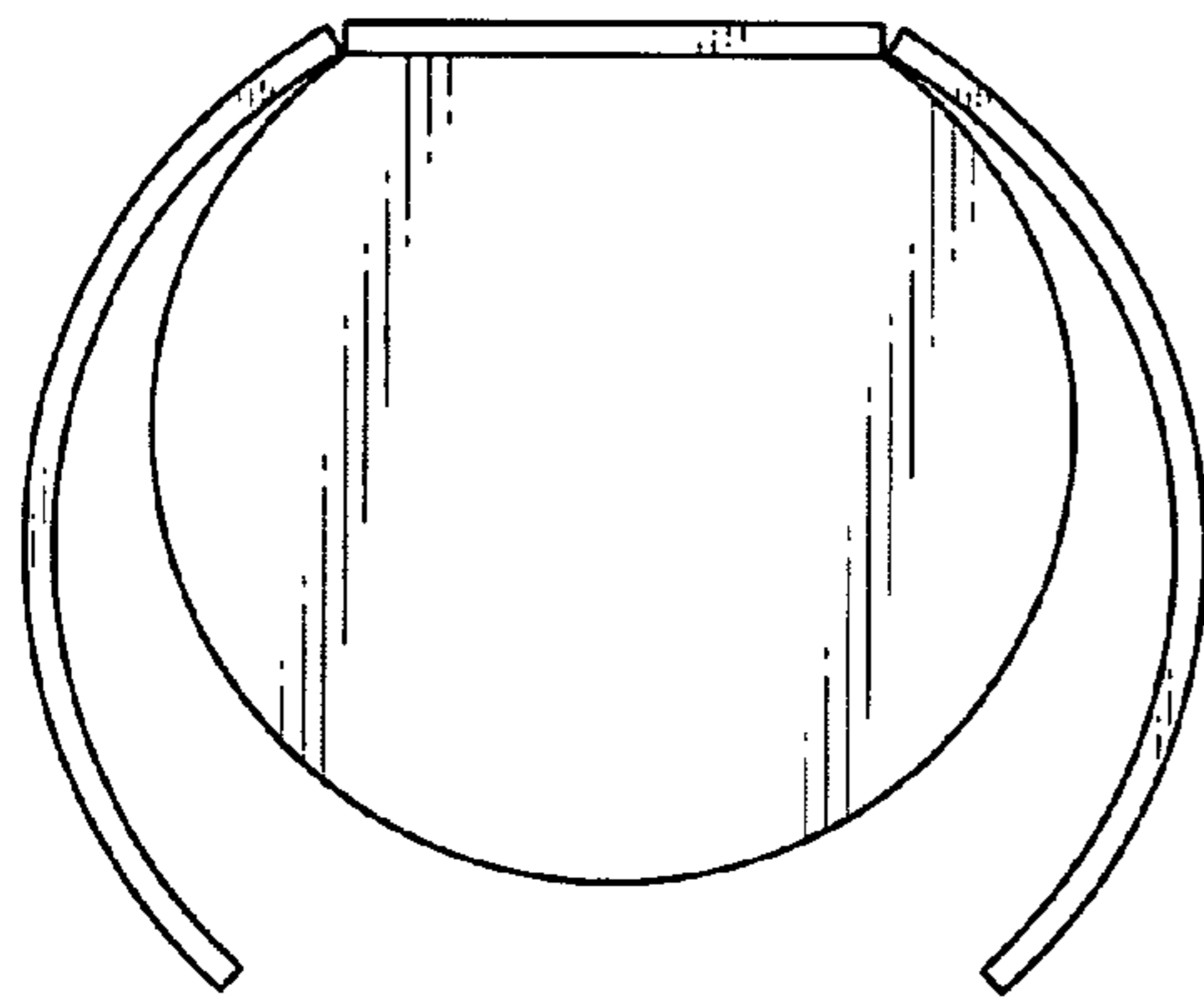


FIG. 7

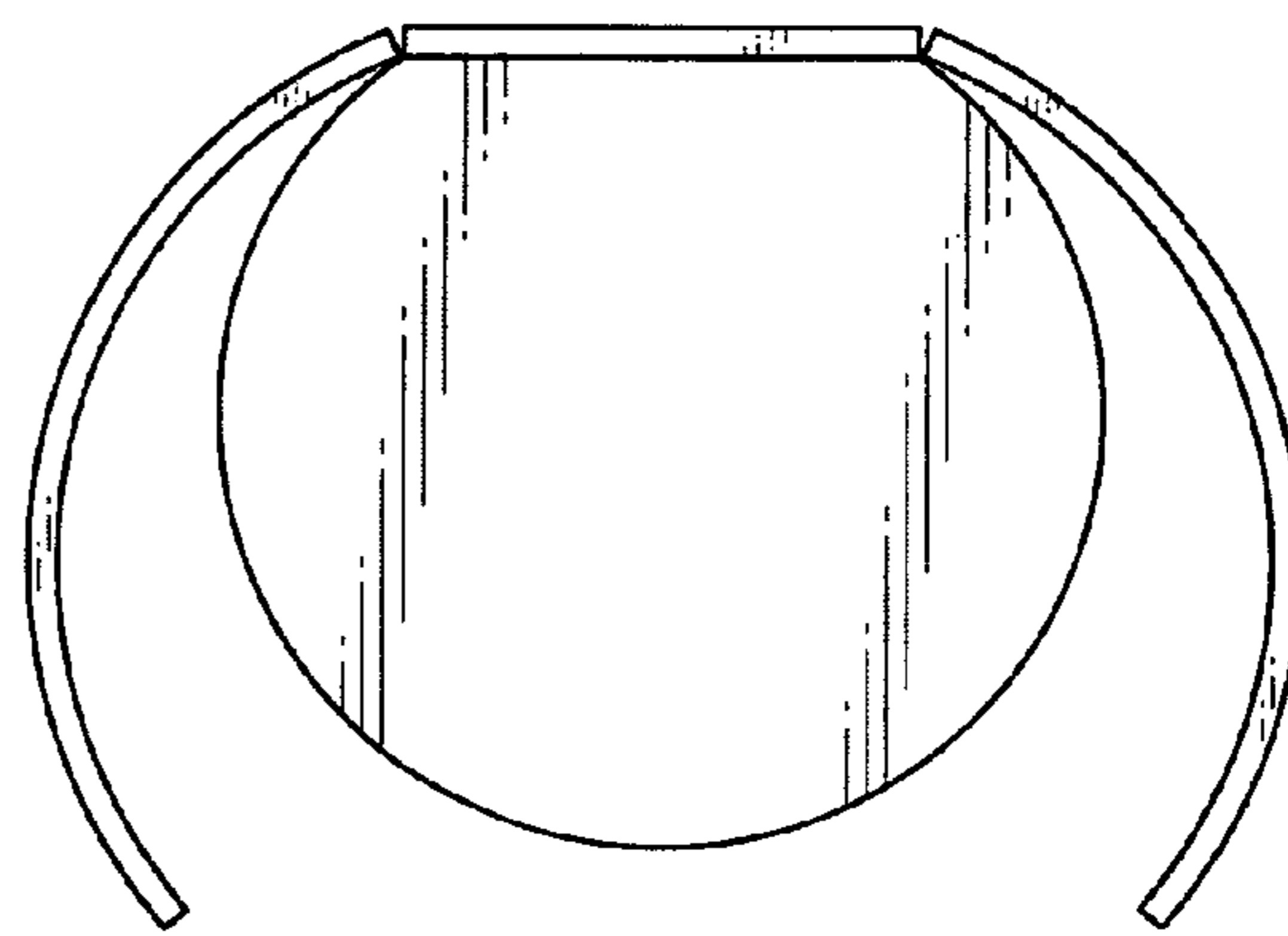


FIG. 8

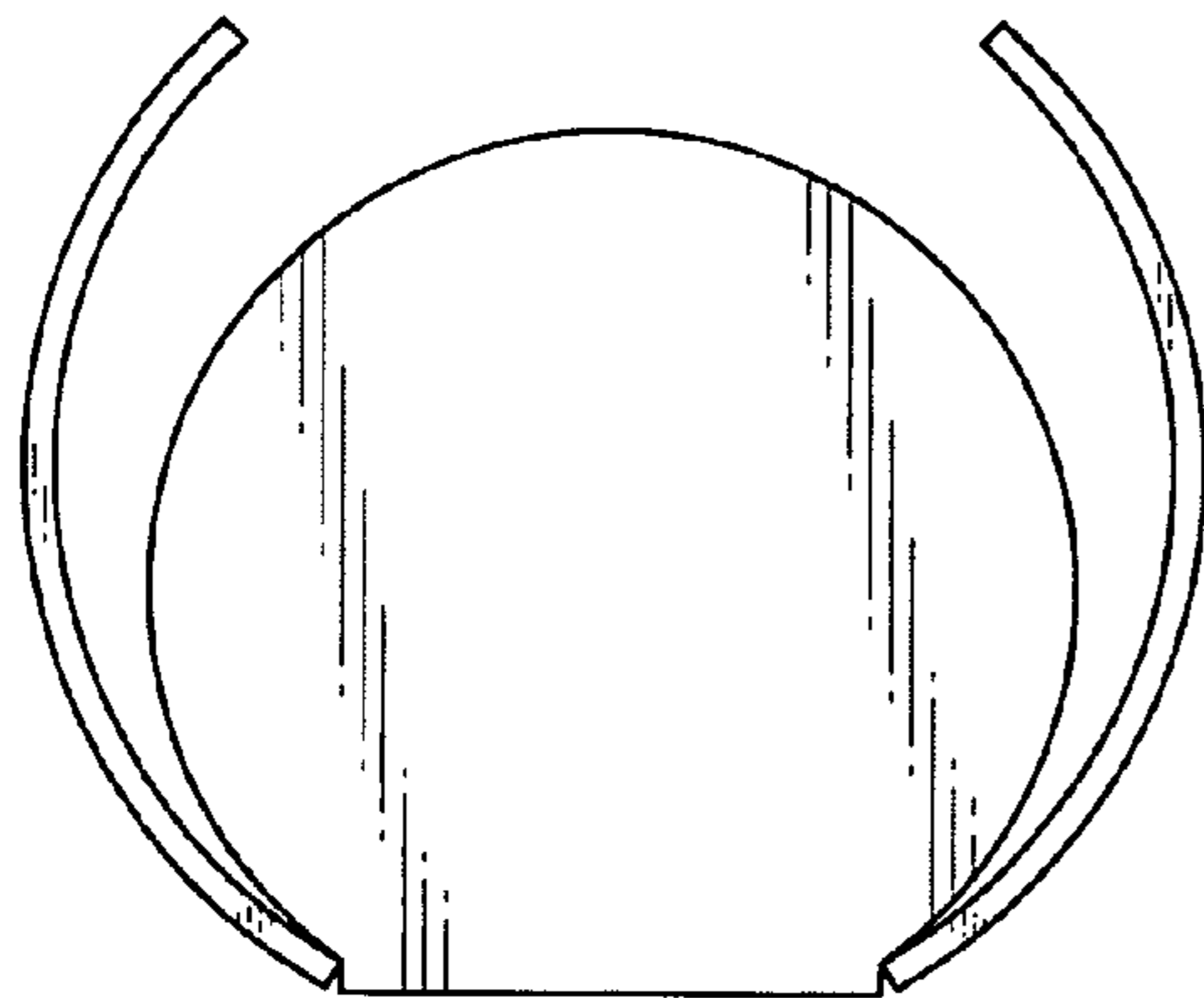


FIG. 9