



US00D618066S

(12) **United States Design Patent**
De Buyer et al.

(10) **Patent No.:** **US D618,066 S**
(45) **Date of Patent:** **** Jun. 22, 2010**

(54) **FOOD SLICER**

(75) Inventors: **Julien De Buyer**, Barcelona (ES);
Jean-Noël Mathieu, Vagney (FR)

(73) Assignee: **De Buyer Industries**, Le val d'Ajol (FR)

(**) Term: **14 Years**

(21) Appl. No.: **29/340,610**

(22) Filed: **Jul. 22, 2009**

(30) **Foreign Application Priority Data**

Jan. 22, 2009	(EM)	001074116-0001
Jan. 22, 2009	(EM)	001074116-0002
Jan. 22, 2009	(EM)	001074116-0003
Jan. 22, 2009	(EM)	001074116-0007

(51) **LOC (9) Cl.** **07-04**

(52) **U.S. Cl.** **D7/673**

(58) **Field of Classification Search** D7/672-677,
D7/678, 693; 99/508-510; 83/669, 856,
83/857, 870, 932, 699.51, 669.61; 241/92,
241/95, 168, 169, 169.1; 30/378, 279.6,
30/280, 283, 286, 287, 114

See application file for complete search history.

(56) **References Cited**

U.S. PATENT DOCUMENTS

D326,388 S *	5/1992	Boerner	D7/673
D406,018 S *	2/1999	Zirbes	D7/673

D442,033 S *	5/2001	de Saint-Genois	D7/673
6,732,622 B2 *	5/2004	Vincent	83/247
D495,218 S *	8/2004	Yu	D7/673
D503,314 S *	3/2005	Wong	D7/673
D505,301 S *	5/2005	Wong	D7/673
D534,041 S *	12/2006	De Buyer	D7/673
D535,162 S *	1/2007	De Buyer	D7/673
D548,548 S *	8/2007	Lee	D7/673
D559,635 S *	1/2008	Wong	D7/673

* cited by examiner

Primary Examiner—Terry A Wallace
(74) *Attorney, Agent, or Firm*—Galano & Associates PLLC;
Thomas M. Galano; Jessica G. Bower

(57) **CLAIM**

The ornamental design for a food slicer, as shown and described.

DESCRIPTION

FIG. 1 is a top and left side perspective view of the food slicer, showing our new design;

FIG. 2 is a left side elevational view thereof;

FIG. 3 is a right side elevational view thereof;

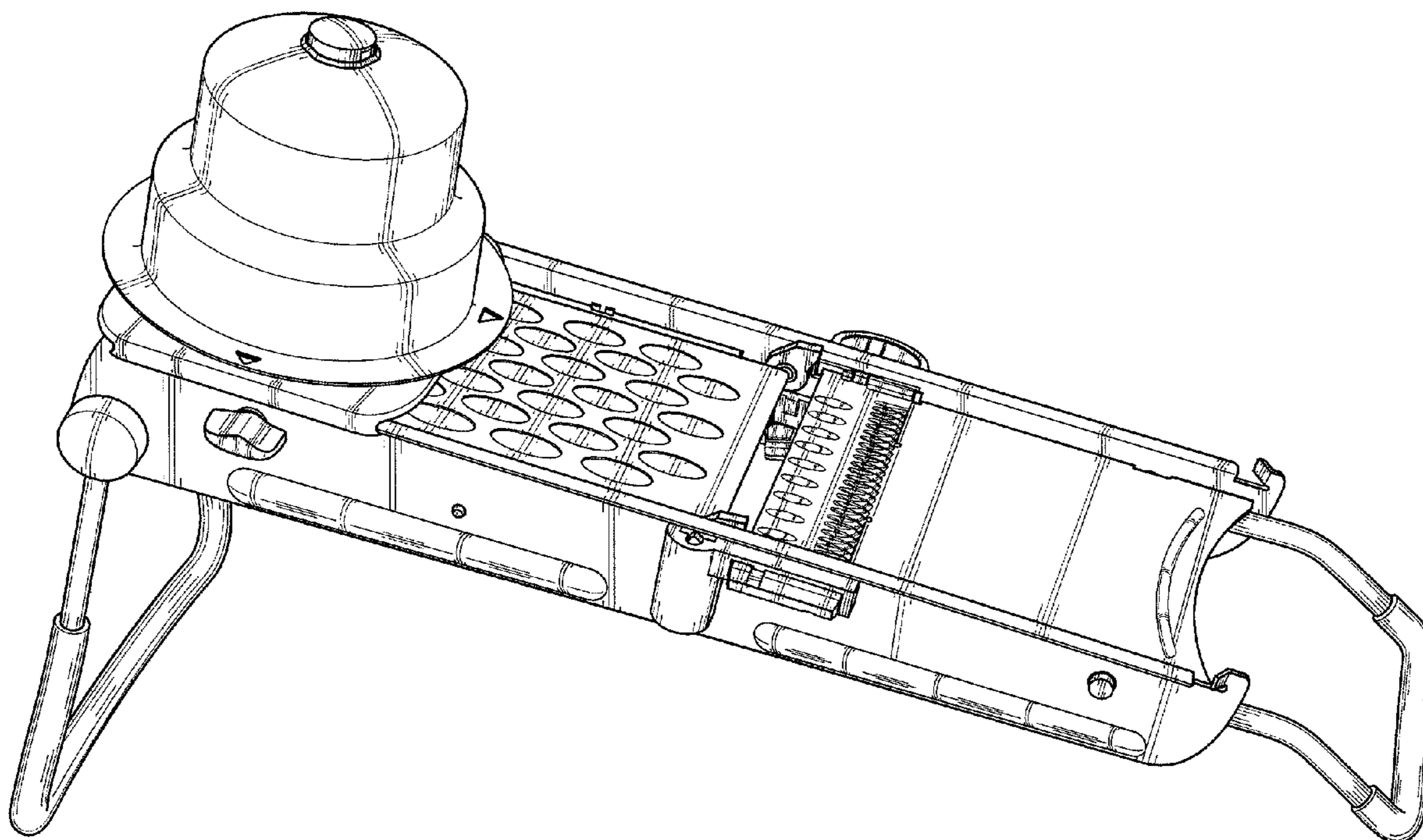
FIG. 4 is a rear elevational view thereof;

FIG. 5 is a front elevational view thereof;

FIG. 6 is a top plan view thereof; and,

FIG. 7 is a bottom plan view thereof.

1 Claim, 6 Drawing Sheets



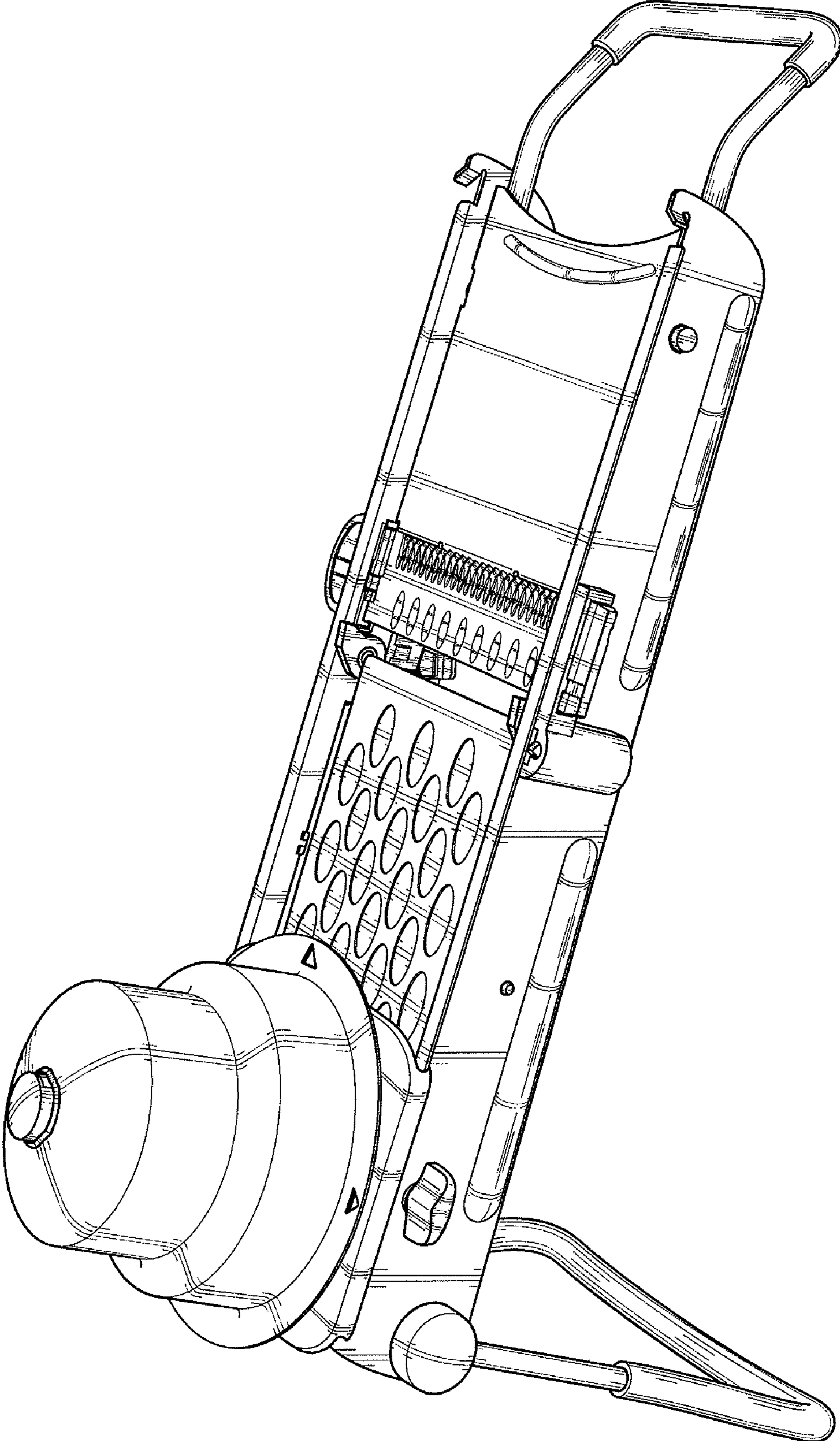


FIG. 1

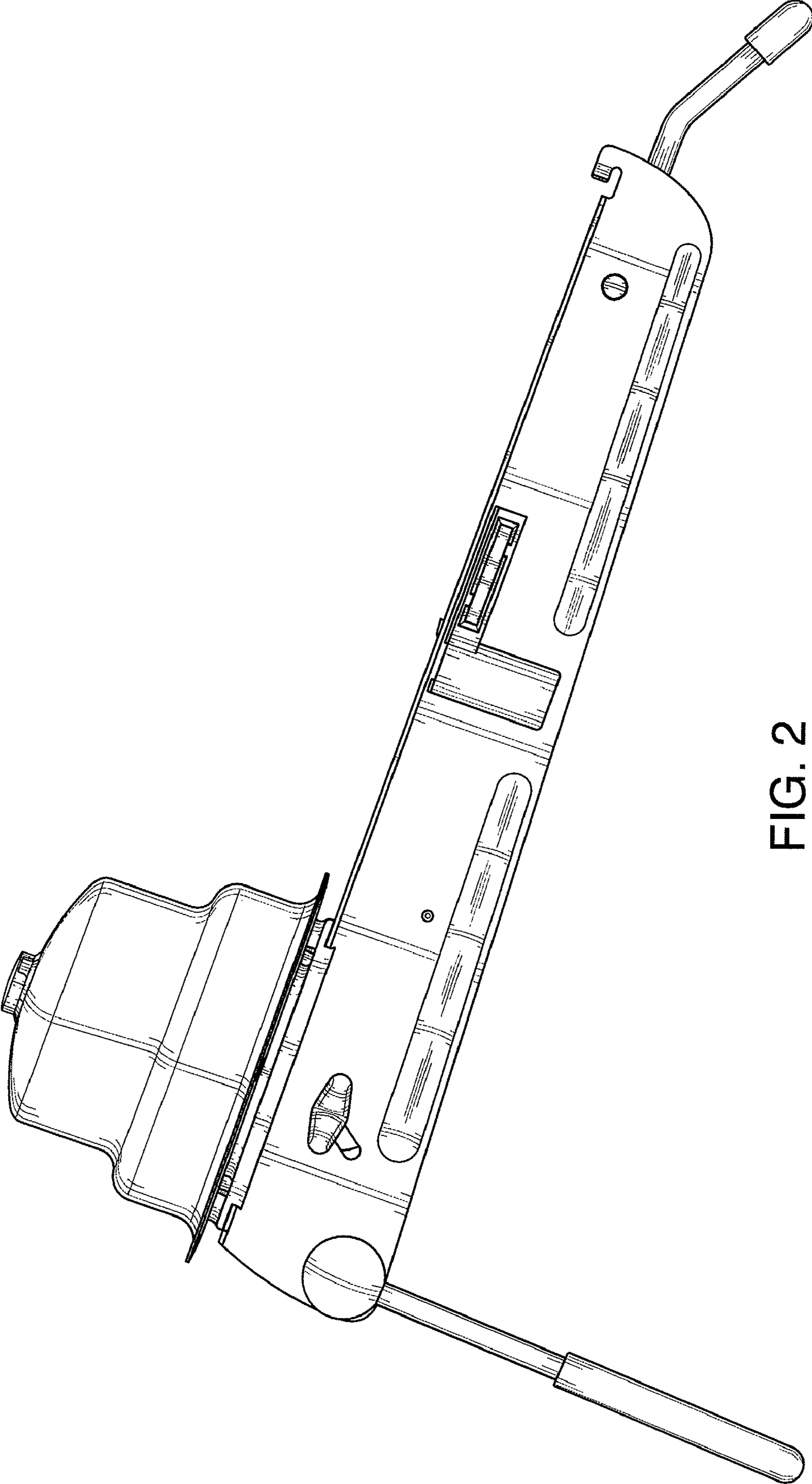


FIG. 2

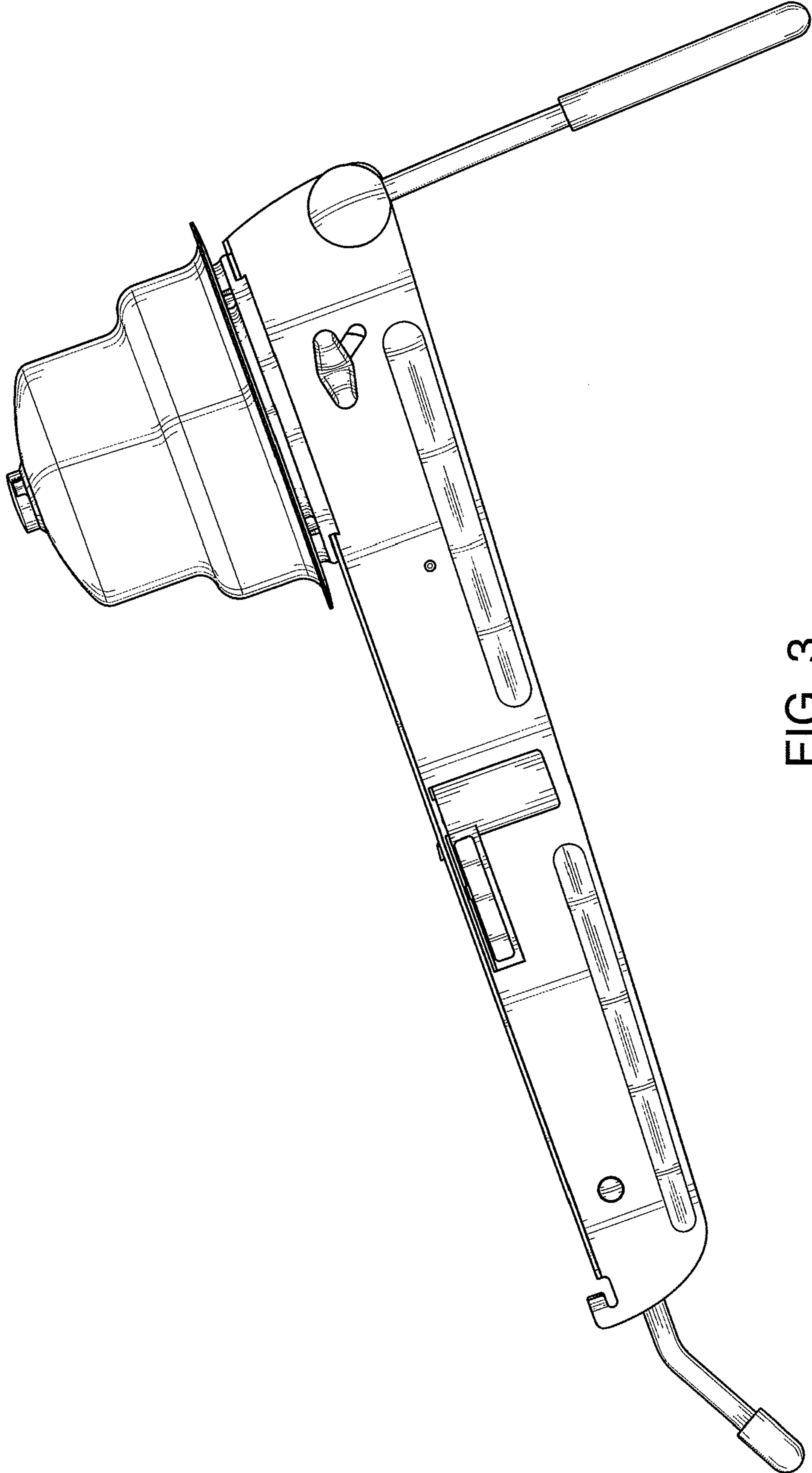


FIG. 3

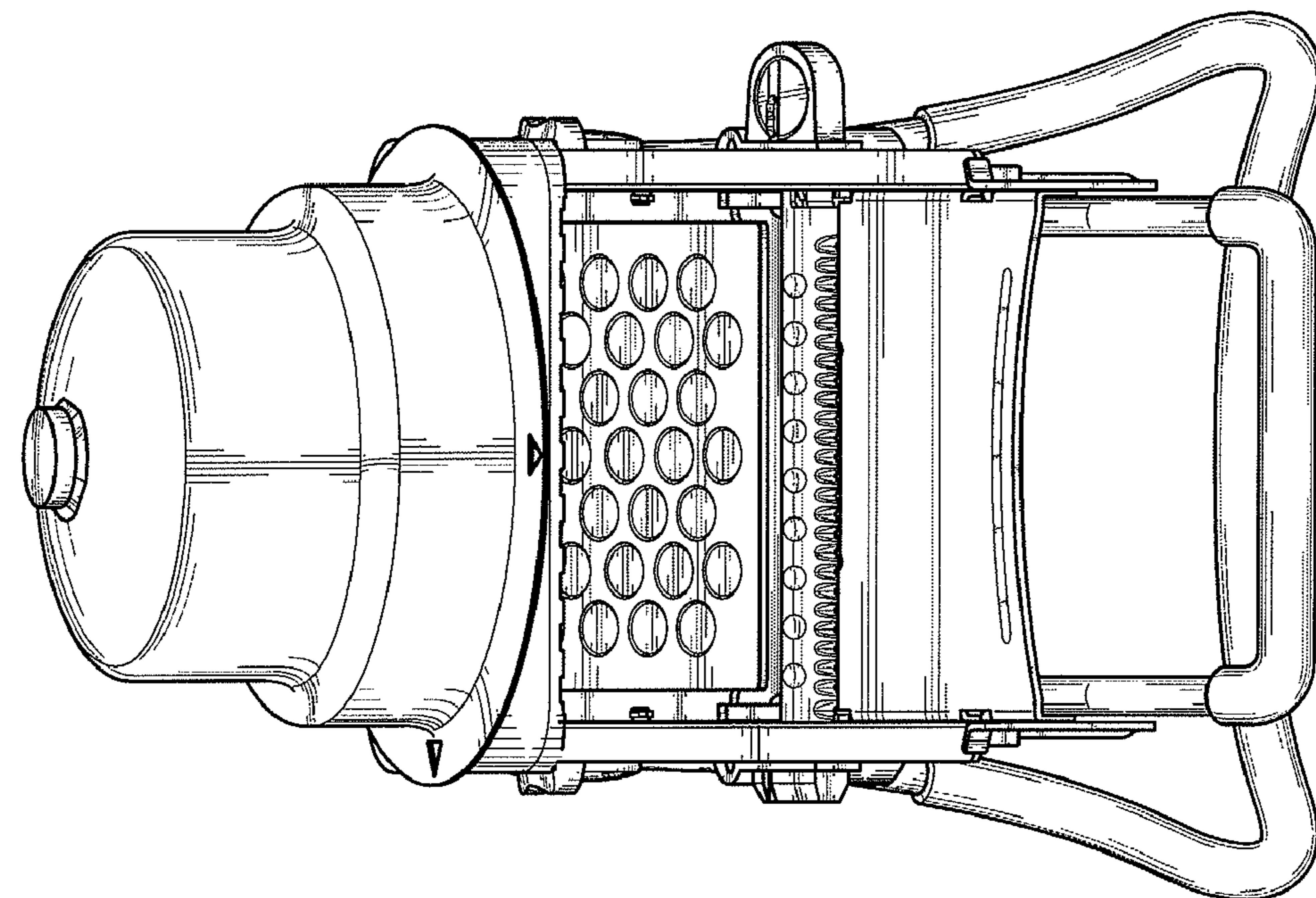


FIG. 5

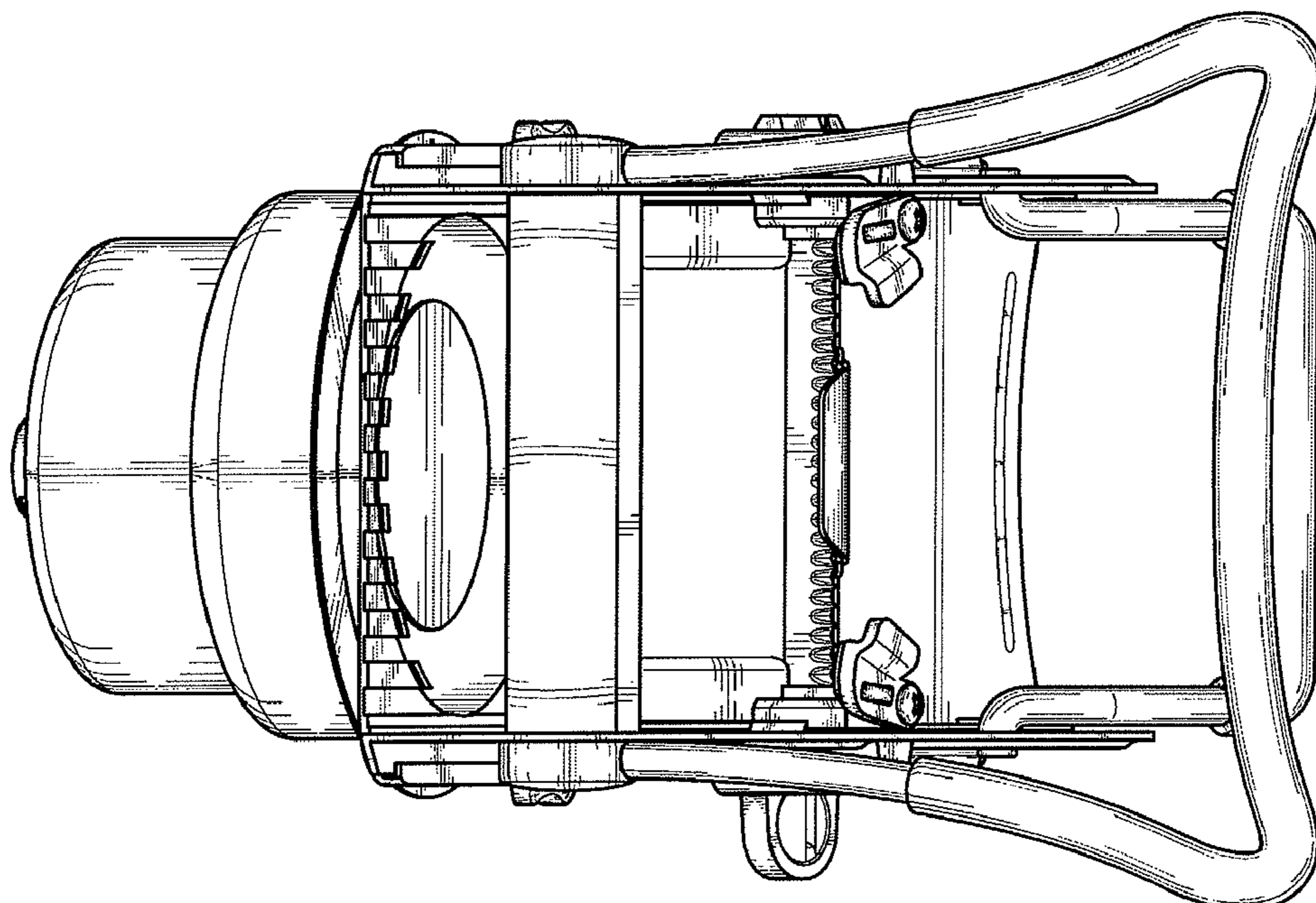


FIG. 4

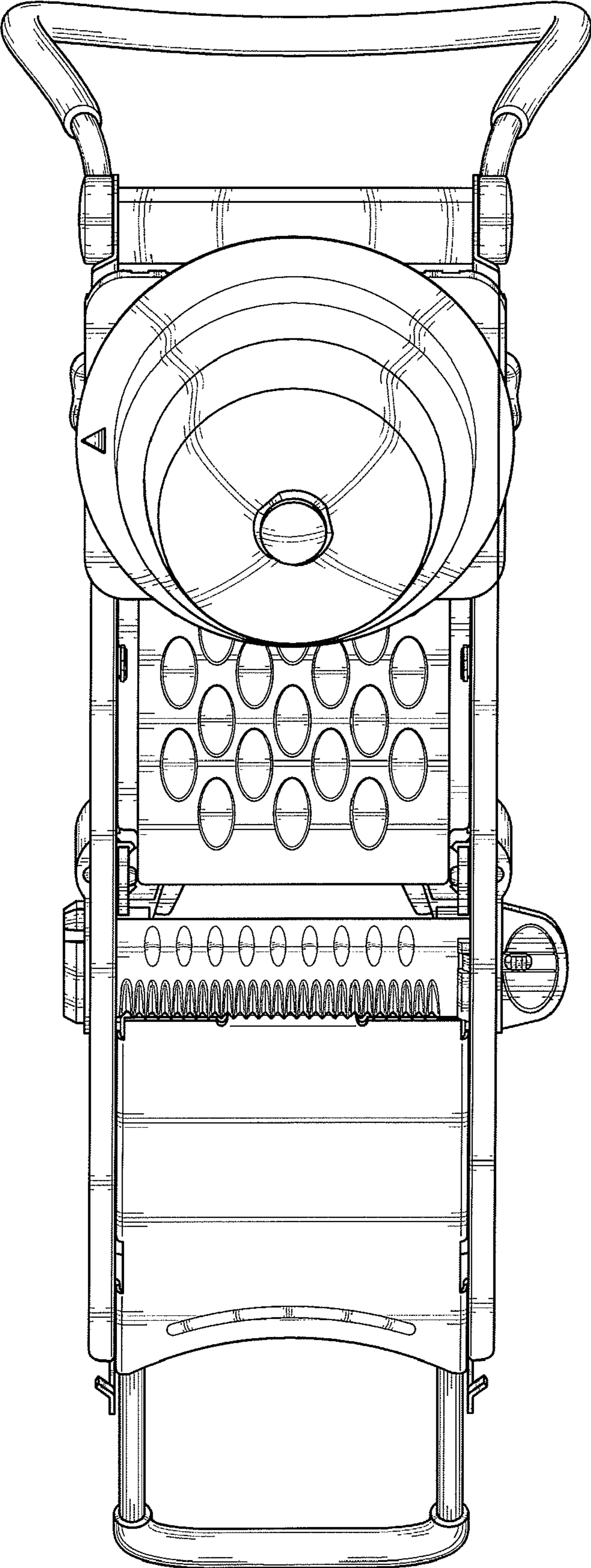


FIG. 6

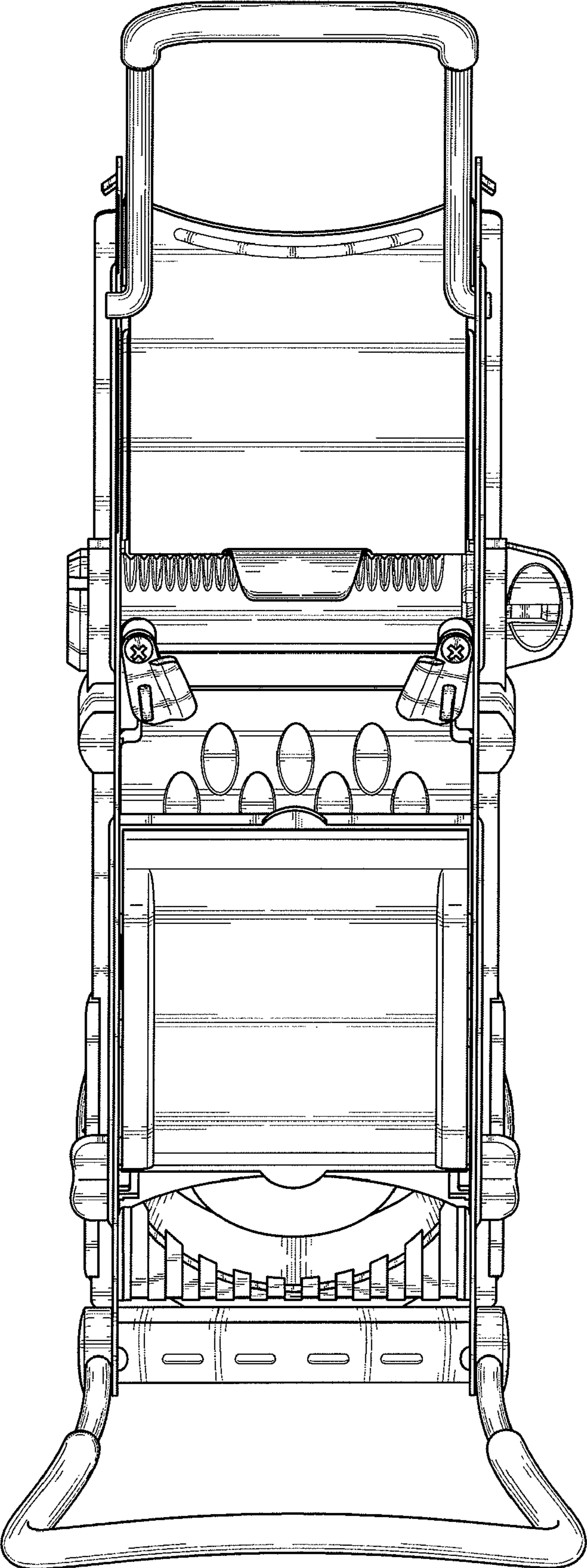


FIG. 7