



US00D618063S

(12) **United States Design Patent**  
**Davies et al.**

(10) **Patent No.:** **US D618,063 S**  
(45) **Date of Patent:** **\*\* Jun. 22, 2010**

(54) **STACKABLE MULTI COMPARTMENT  
CONTAINER**

(76) Inventors: **James Davies**, 37031 Schafer, Polson,  
MT (US) 59860; **Michael Boehm**, 11279  
Oakcrest Ave., Ojai, CA (US) 93023

(\*\*) Term: **14 Years**

(21) Appl. No.: **29/340,350**

(22) Filed: **Jul. 16, 2009**

(51) **LOC (9) Cl.** ..... **07-01**

(52) **U.S. Cl.** ..... **D7/614; D7/596; D7/597**

(58) **Field of Classification Search** ..... D7/612-615,  
D7/590-597; D9/529, 517, 447, 739; 222/142.1-142.9,  
222/482-485, 480; D3/203.4  
See application file for complete search history.

(56) **References Cited**

**U.S. PATENT DOCUMENTS**

4,402,433	A *	9/1983	Webinger	.....	222/485
4,488,667	A *	12/1984	Swett et al.	.....	222/485
D279,621	S *	7/1985	Richer	.....	D9/739
D348,219	S *	6/1994	Goldberg	.....	D3/203.4
D354,909	S *	1/1995	Blanche	.....	D9/739
D450,584	S *	11/2001	Schmit et al.	.....	D7/596

\* cited by examiner

*Primary Examiner*—Terry A Wallace  
(74) *Attorney, Agent, or Firm*—QuickPatents, Inc.; Kevin  
Prince

(57) **CLAIM**

We claim the ornamental design for a stackable multi-com-  
partment container, as shown and described.

**DESCRIPTION**

FIG. 1 is a perspective view of a stackable multi-compartment  
container, showing our new design;

FIG. 2 is a front elevational view thereof;

FIG. 3 is a rear elevational view thereof;

FIG. 4 is a left-side elevational view thereof, the right-side  
elevational view being a mirror image thereof;

FIG. 5 is a top plan view thereof;

FIG. 6 is a bottom plan view thereof;

FIG. 7 is a top plan view of a container portion thereof;

FIG. 8 is a partial exploded view of the container portion and  
one cover portion thereof;

FIG. 9 is a perspective view of the container portion thereof;

FIG. 10 is a perspective view of one of the cover portions  
thereof;

FIG. 11 is a front elevational view of one of the cover portions  
thereof;

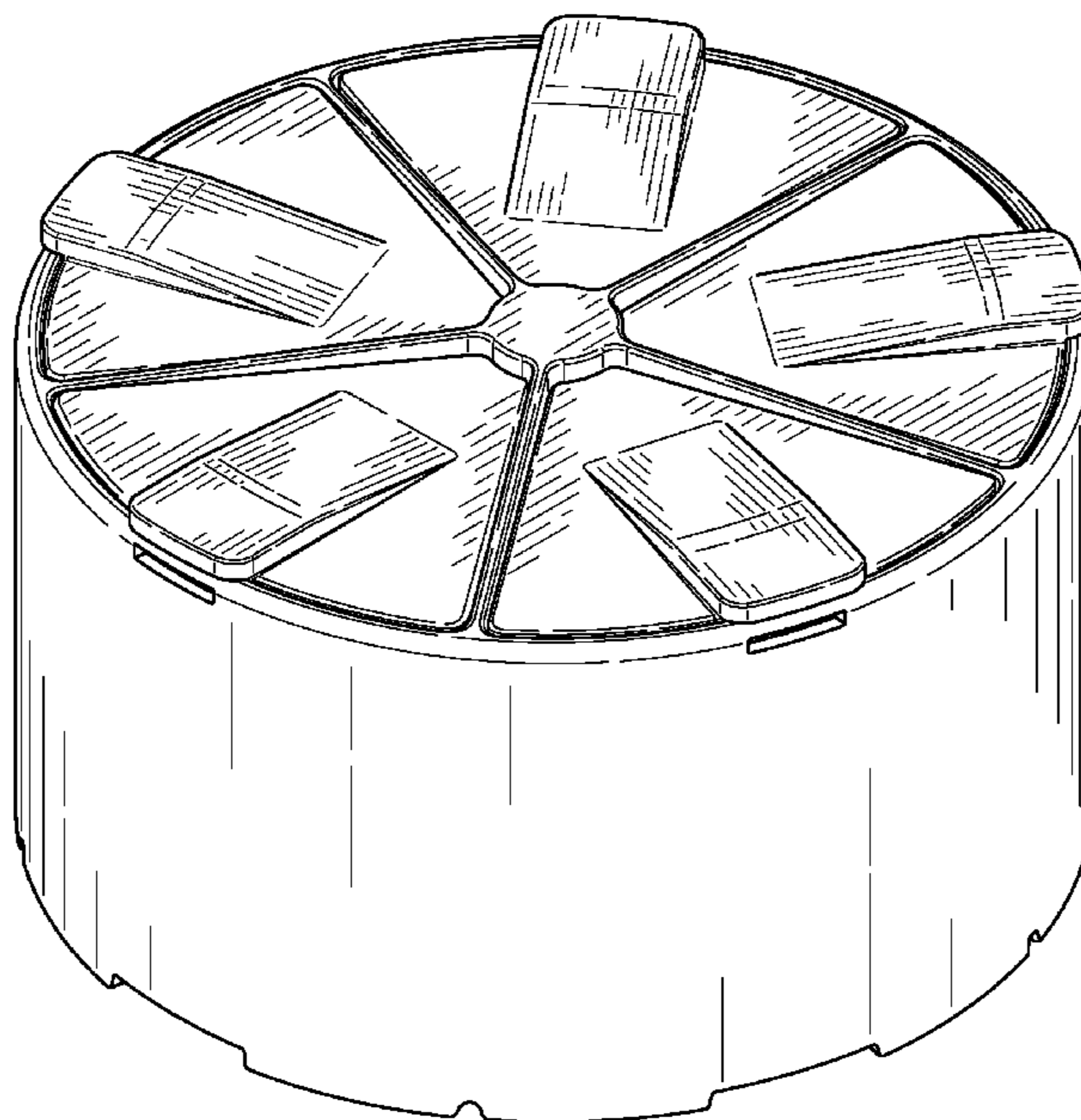
FIG. 12 is a rear elevational view of one of the cover portions  
thereof;

FIG. 13 is a left-side elevational view of one of the cover  
portions thereof, the right-side elevational view being a mir-  
ror image thereof; and,

FIG. 14 is a bottom plan view of one of the cover portions  
thereof.

The container portion and lid are shown separately for clarity  
of illustration.

**1 Claim, 10 Drawing Sheets**



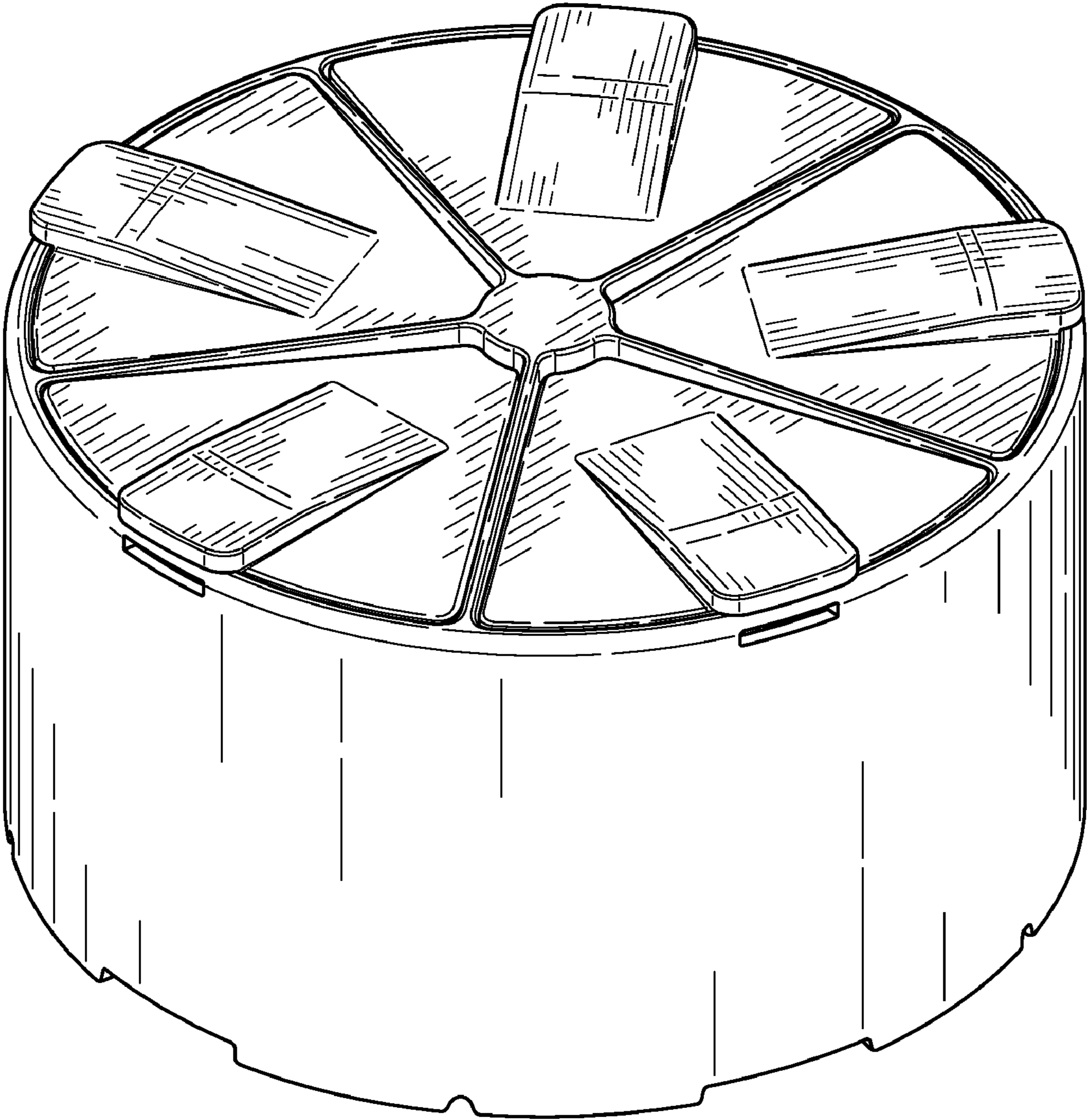


FIG. 1

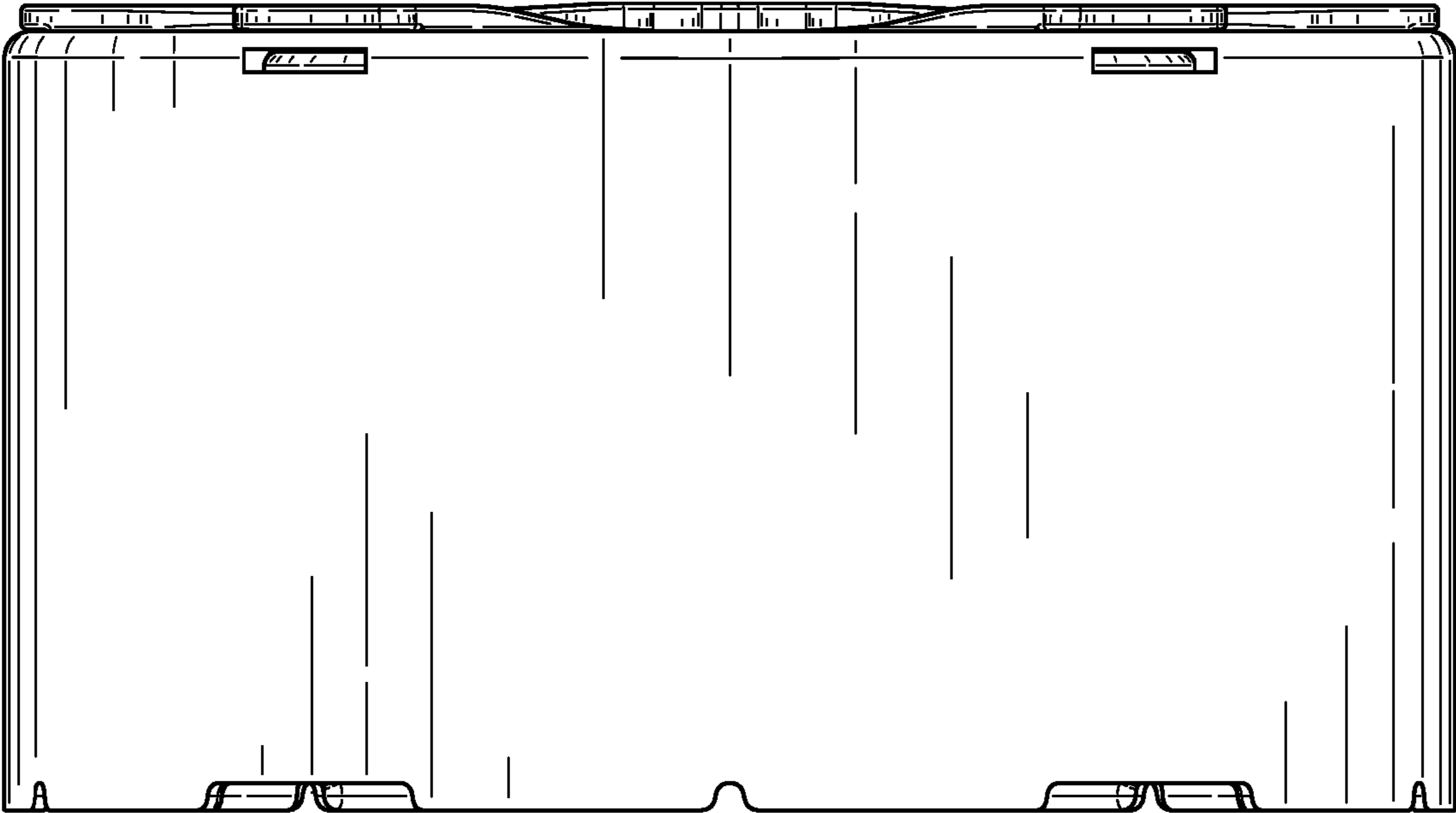


FIG. 2

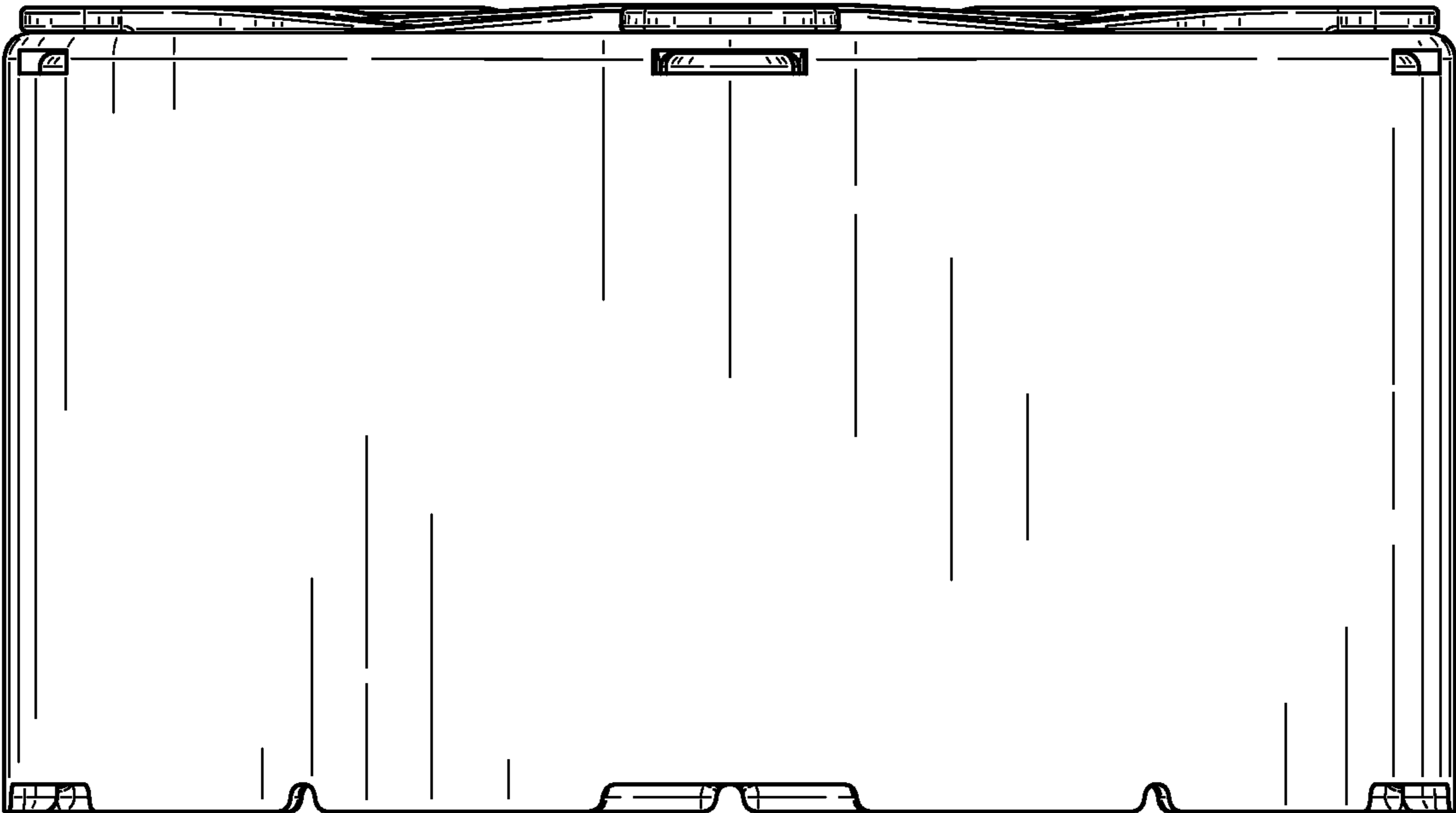


FIG. 3

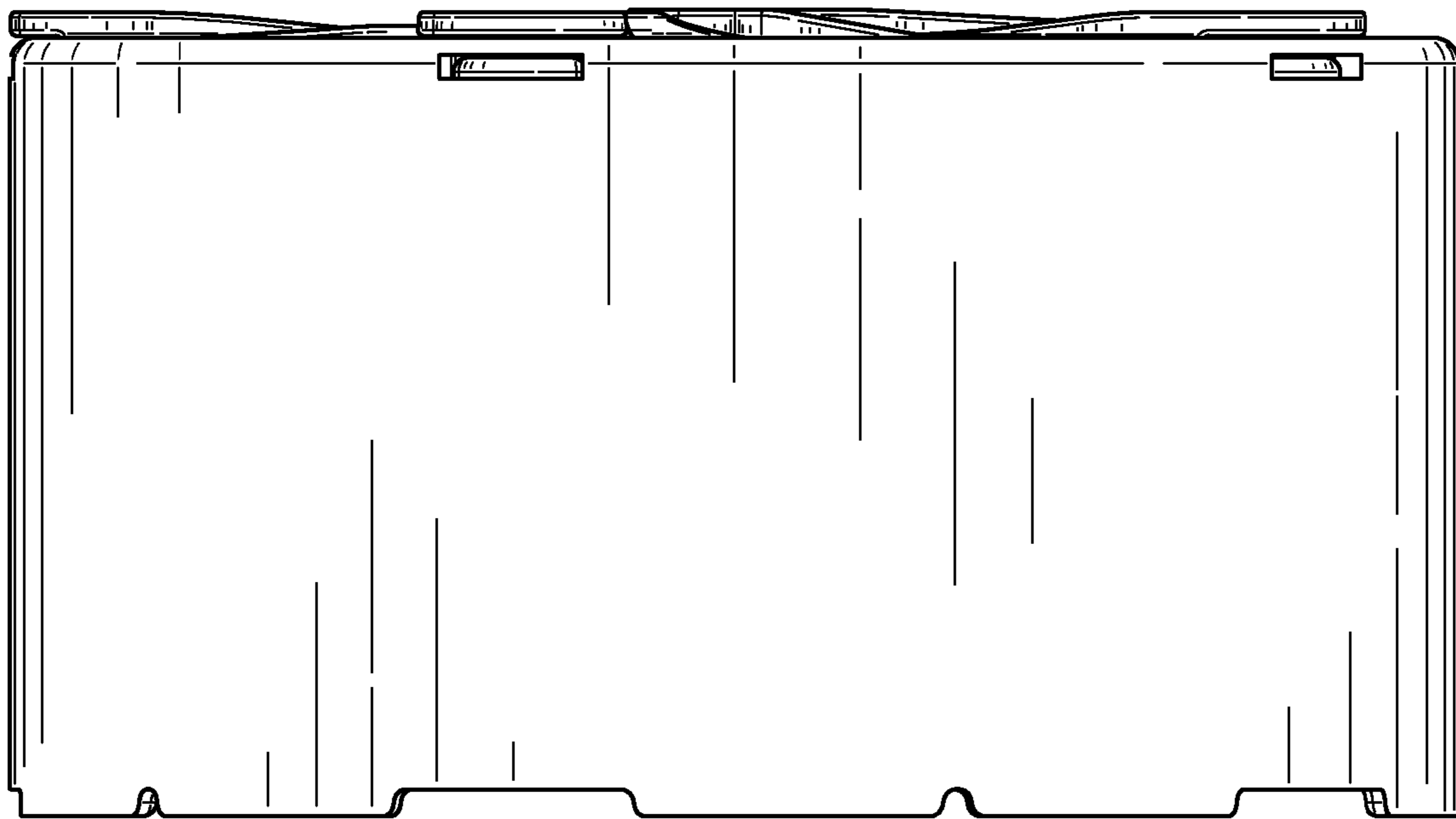


FIG. 4

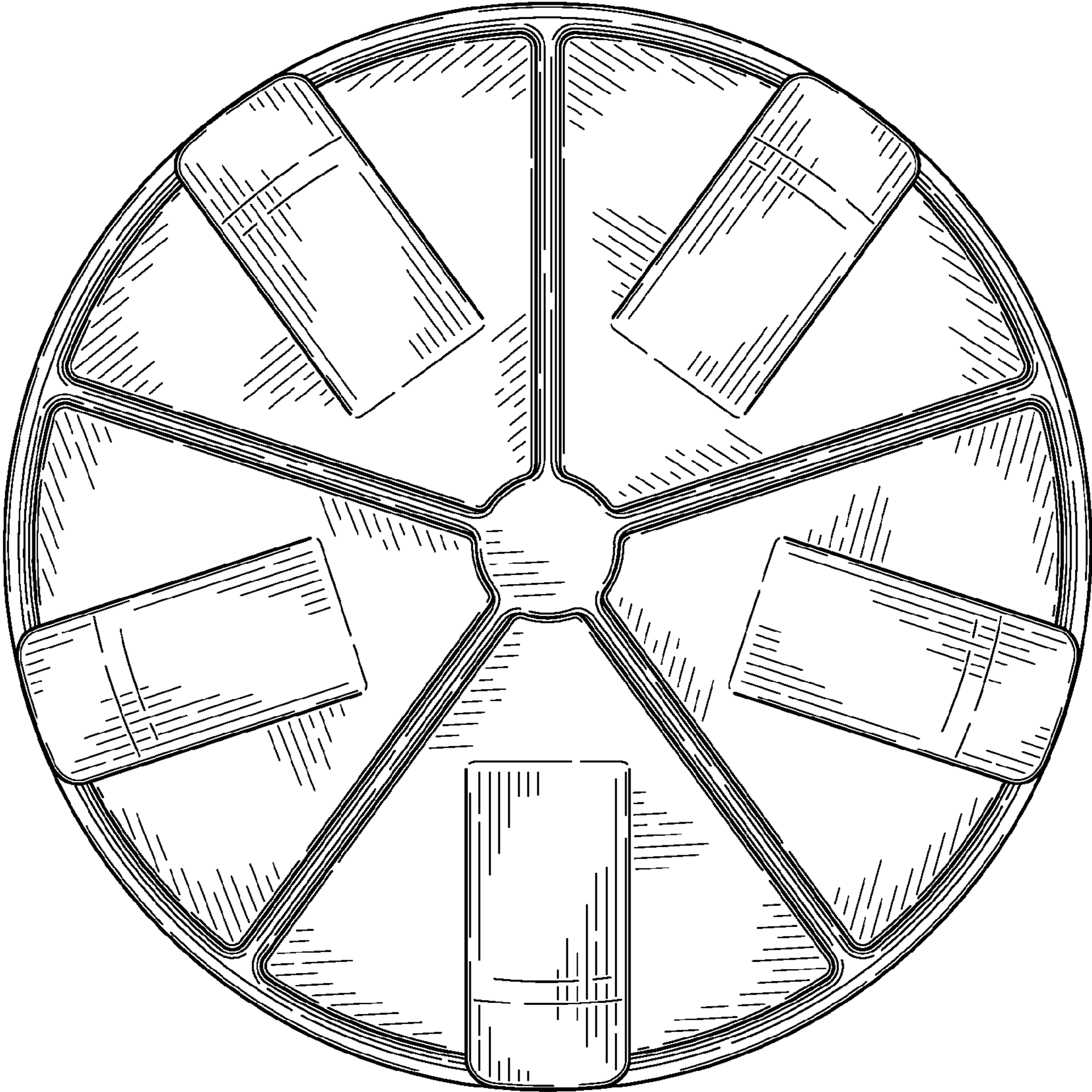


FIG. 5

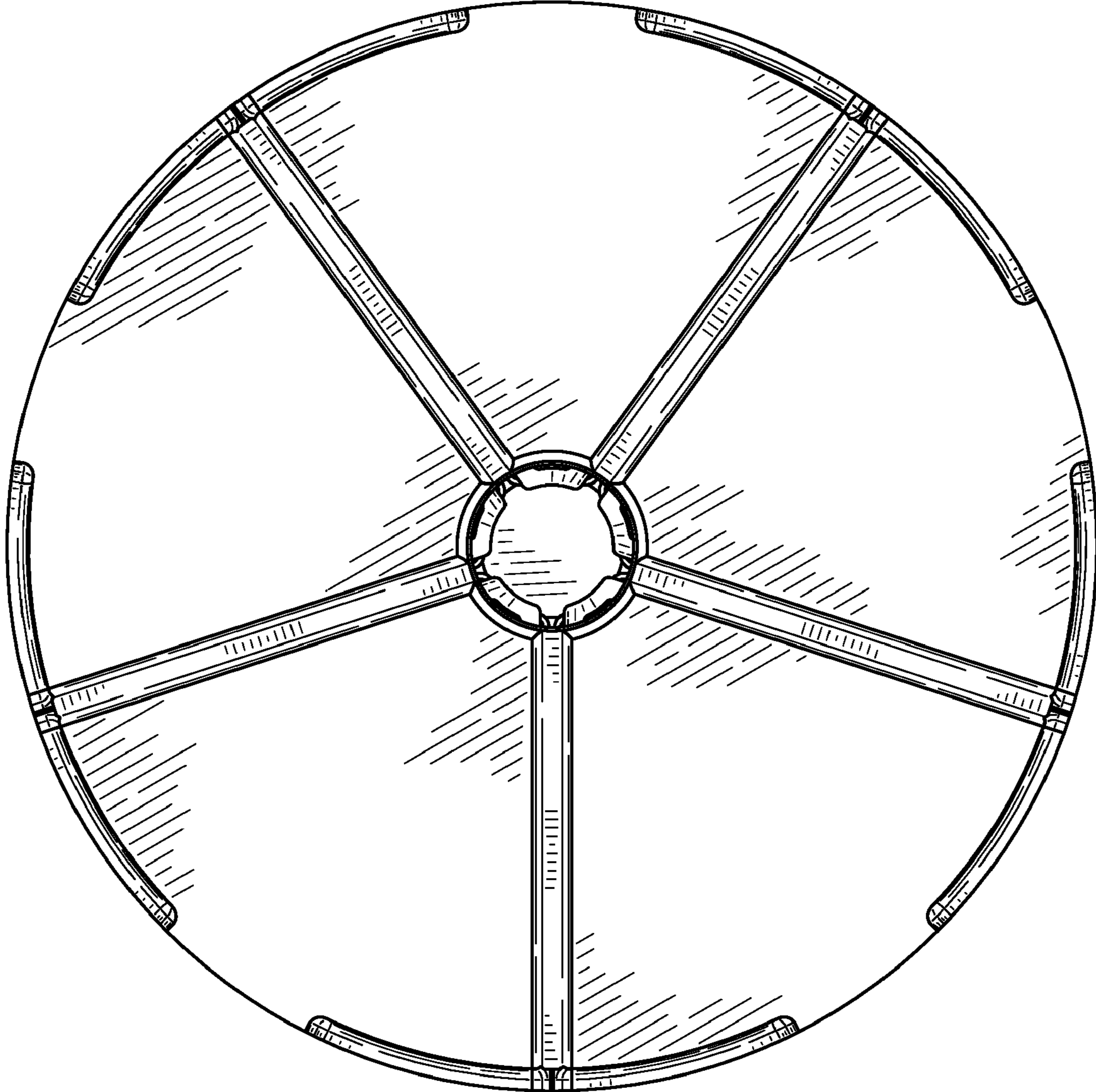


FIG. 6

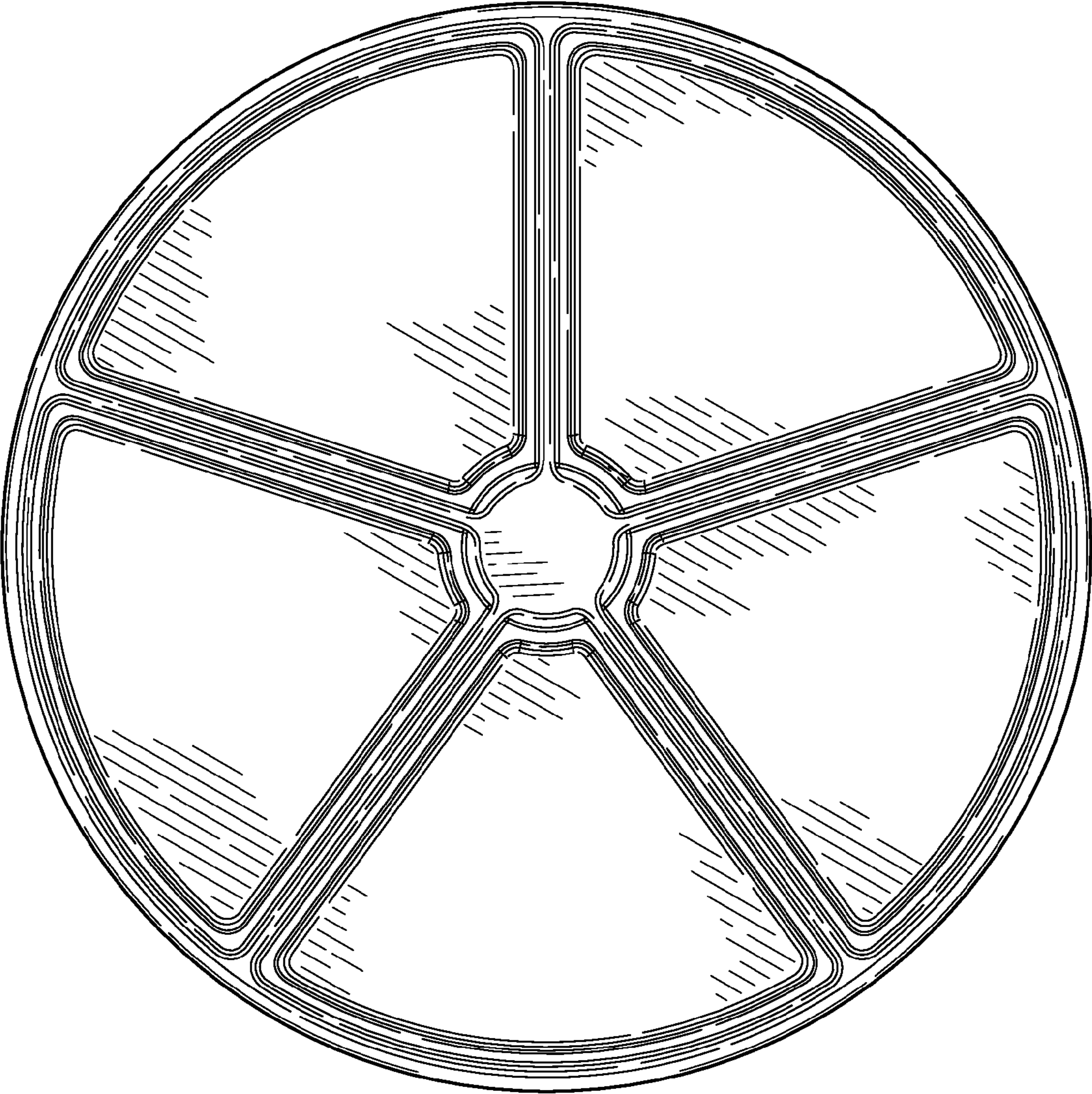


FIG. 7

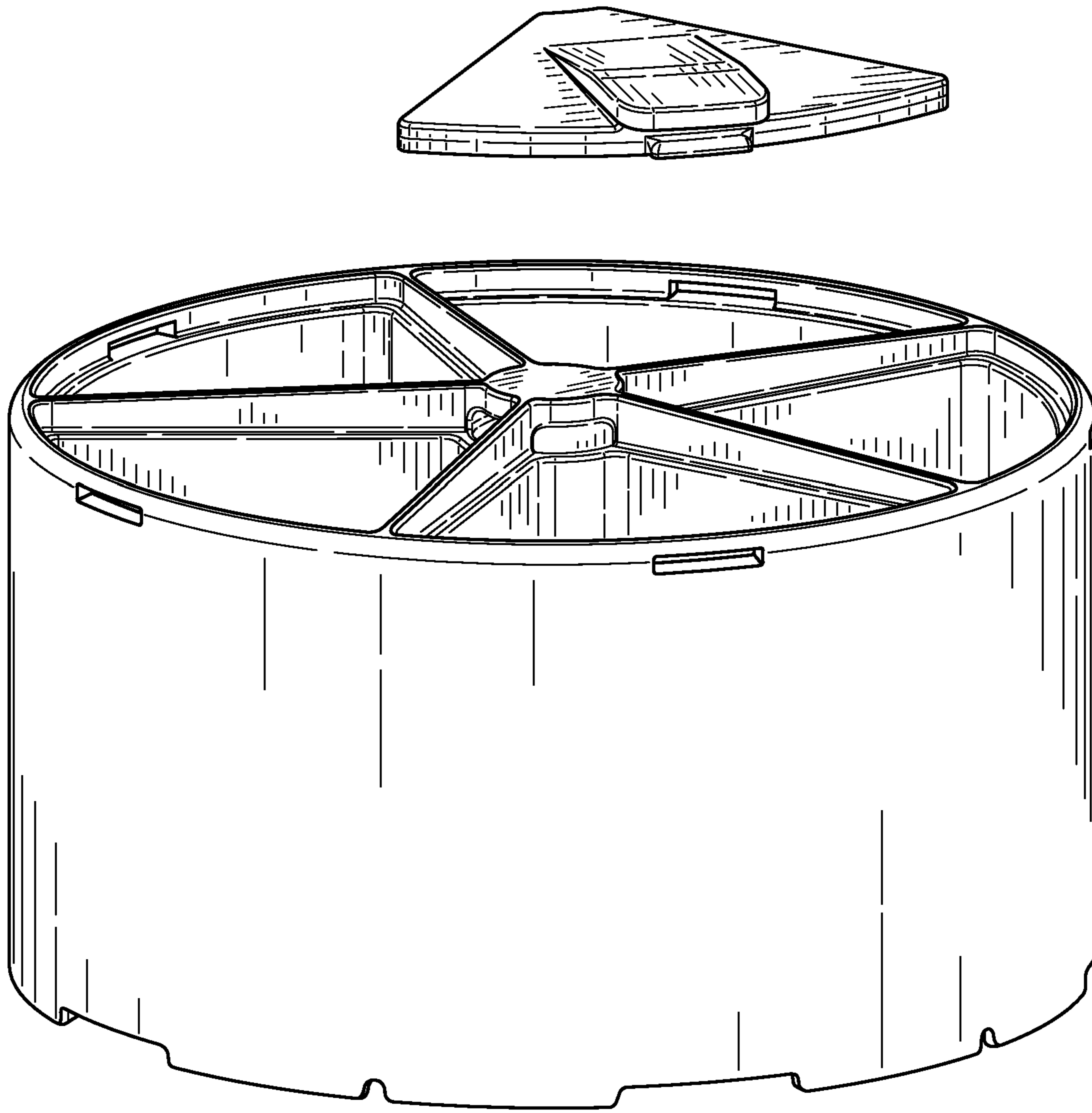


FIG. 8



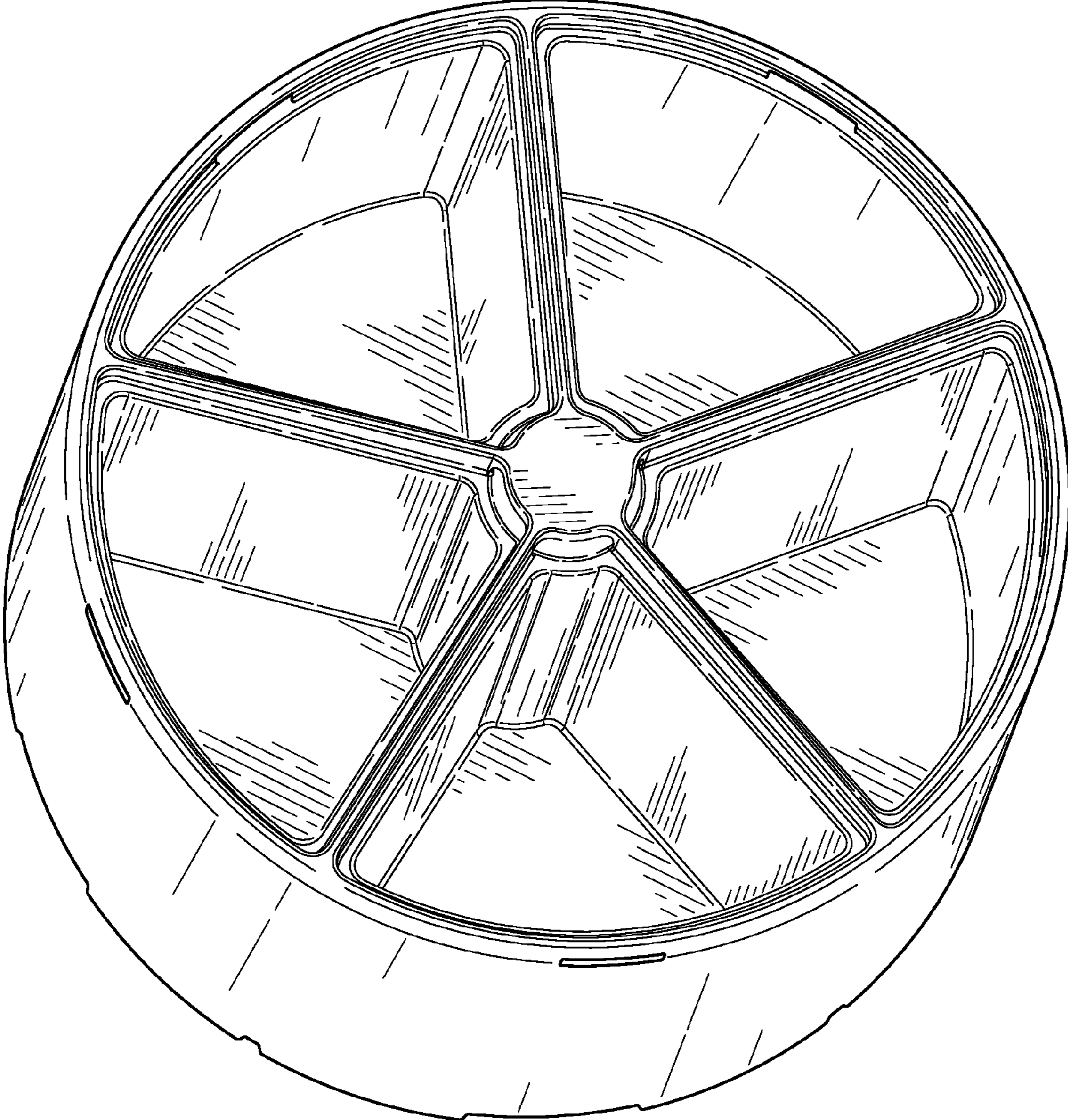


FIG. 9

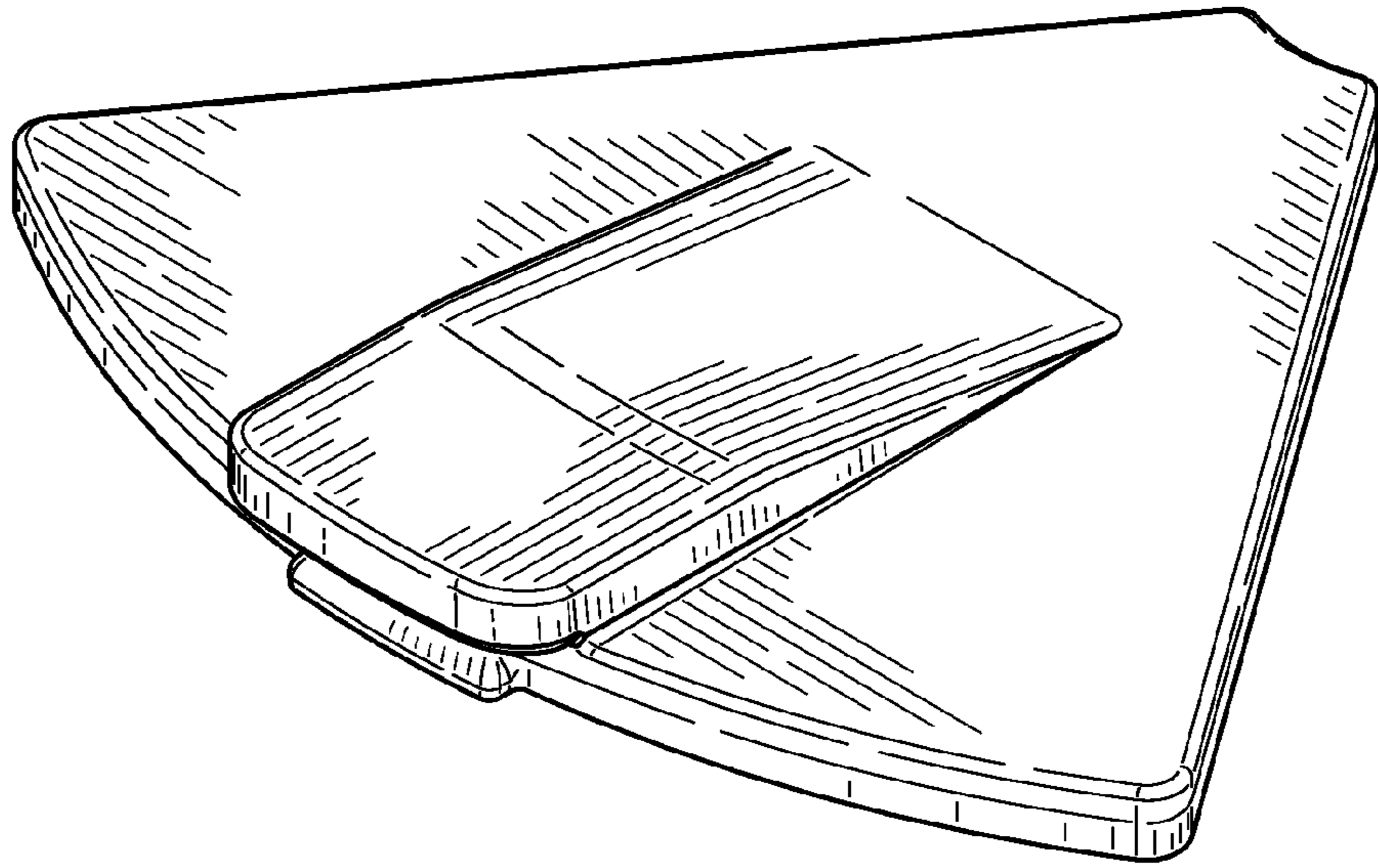


FIG. 10



FIG. 11

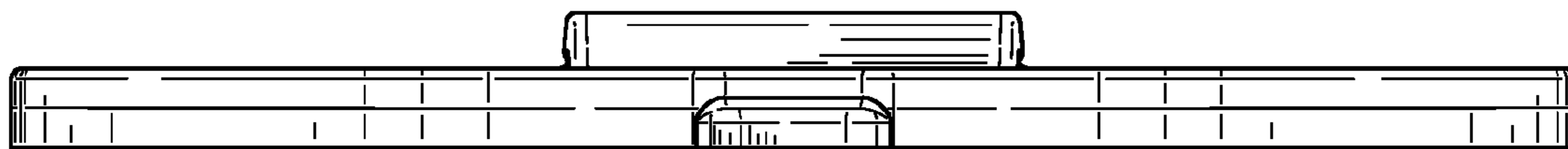


FIG. 12

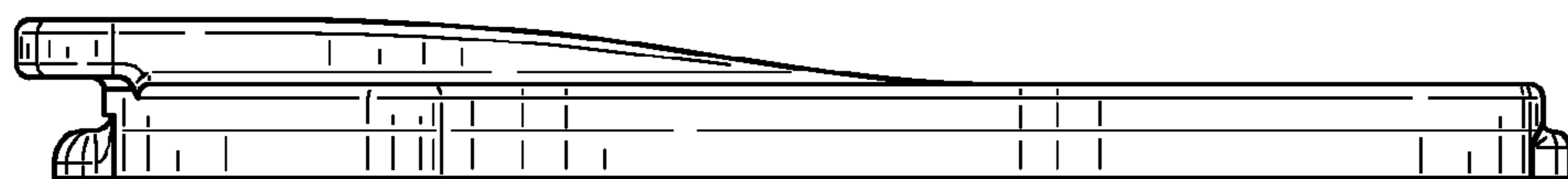


FIG. 13

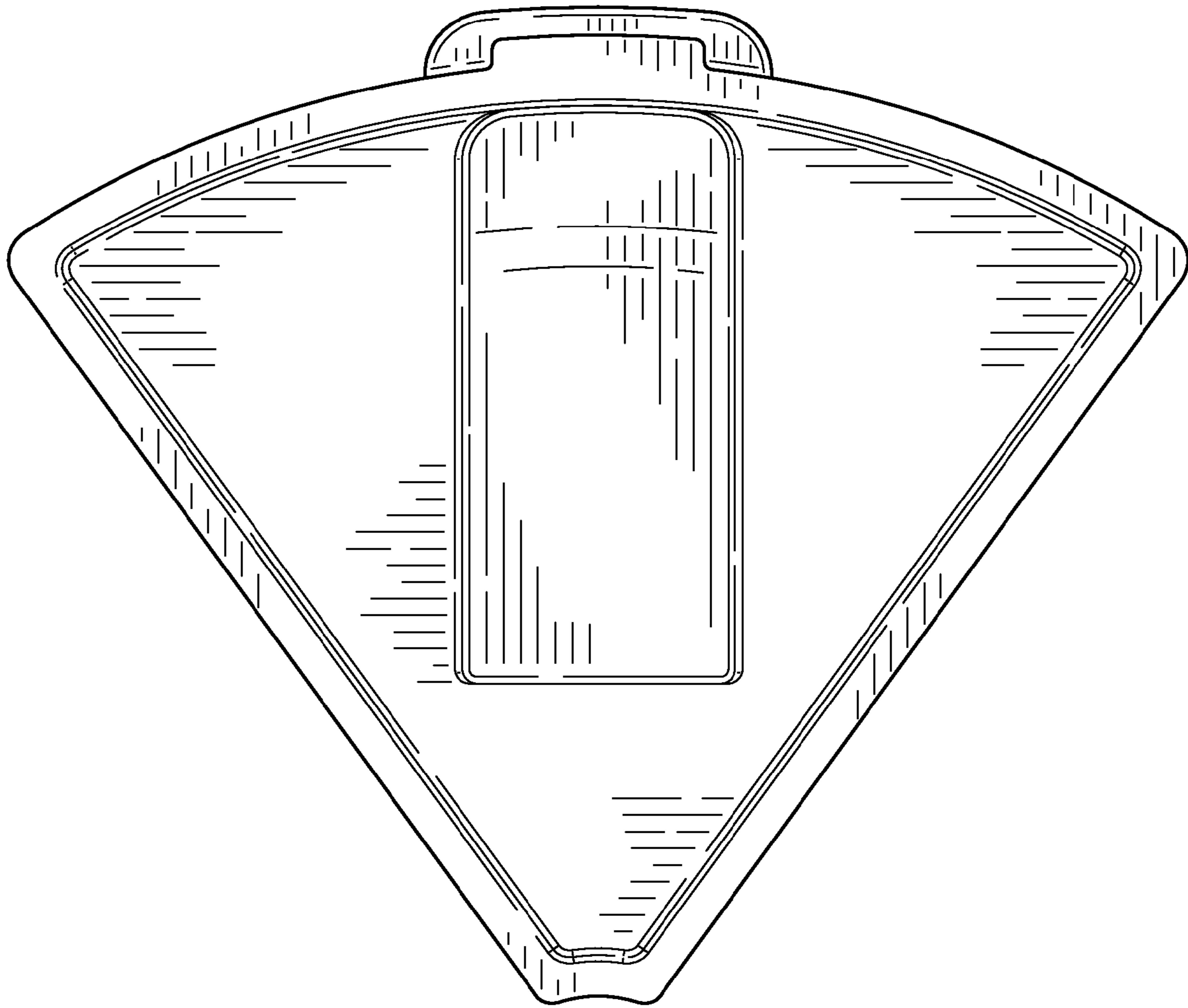


FIG. 14