



US00D618061S

(12) **United States Design Patent**
Webster et al.

(10) **Patent No.:** **US D618,061 S**
(45) **Date of Patent:** **** Jun. 22, 2010**

(54) **DISPENSING CLOSURE**

(75) Inventors: **Tyson L. Webster**, Santa Cruz, CA (US); **M. Rinley Deeds**, Felton, CA (US); **James W. Livingston**, Manton, CA (US); **Andy Swain**, Nottingham (GB); **David Holden**, Derbyshire (GB); **Kenneth J. Bird**, Nottingham (GB)

5,495,962 A 3/1996 Nomura
D388,662 S * 1/1998 Romero et al. D7/589
5,730,333 A 3/1998 Baluk et al.
5,758,803 A 6/1998 Liao et al.
5,829,085 A 11/1998 Jerg et al.
5,833,097 A 11/1998 Ruth
5,934,516 A * 8/1999 Strycharske et al. 222/158

(73) Assignee: **Diversey, Inc.**, Sturtevant, WI (US)

(Continued)

(**) Term: **14 Years**

FOREIGN PATENT DOCUMENTS

(21) Appl. No.: **29/332,117**

EP 0154897 9/1985

(22) Filed: **Feb. 9, 2009**

(Continued)

Related U.S. Application Data

(63) Continuation of application No. 29/276,675, filed on Feb. 1, 2007, now abandoned.

Primary Examiner—Terry A Wallace
(74) *Attorney, Agent, or Firm*—Gregory S. Bollis

(51) **LOC (9) Cl.** **07-06**

(52) **U.S. Cl.** **D7/589**

(58) **Field of Classification Search** D7/589,
D7/368, 669; D6/542–545; D9/530, 531,
D9/538; 215/252; 141/346; 222/181.1,
222/181.3, 180, 173, 461, 548, 651, 190,
222/370, 504, 450–452, 541.1, 129.3

See application file for complete search history.

(57) **CLAIM**

We claim the ornamental design for a dispensing closure, as shown and described.

DESCRIPTION

FIG. 1 is a perspective view of a dispensing closure coupled to a container, wherein the dispensing closure embodies aspects of the invention.

FIG. 2 is a bottom view of the dispensing closure shown in FIG. 1.

FIG. 3 is a side view of the dispensing closure shown in FIG. 1; and,

FIG. 4 is another side view of the dispensing closure shown in FIG. 1.

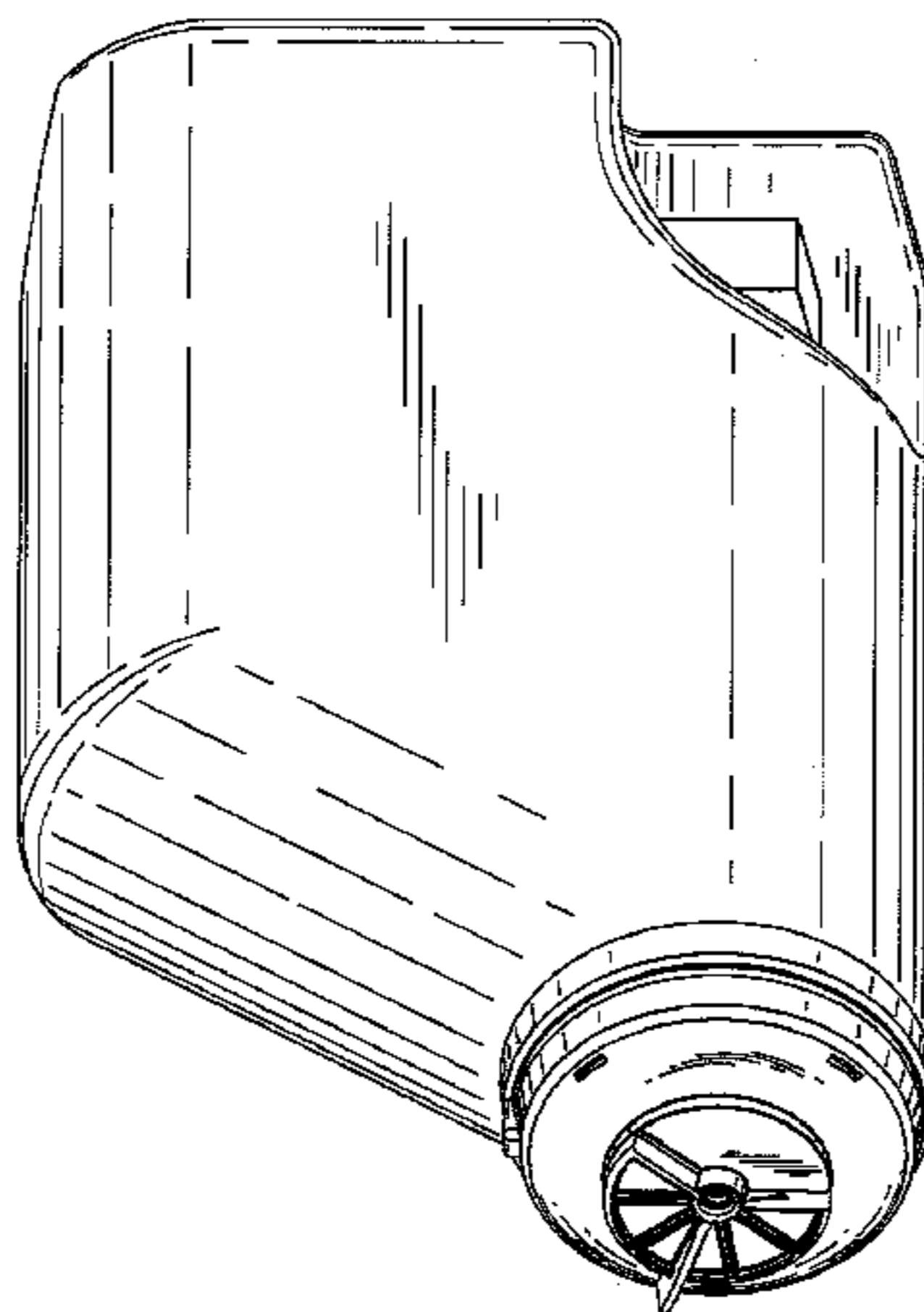
The present application is directed to the shape and contour of a dispensing closure. Features of the drawings shown in broken lines are not considered part of the design currently sought to be patented.

(56) **References Cited**

U.S. PATENT DOCUMENTS

2,865,537 A 12/1958 Jackson
3,204,833 A 9/1965 Weitzner
D204,310 S 4/1966 Scheum
D210,848 S 4/1968 Robb
4,214,678 A 7/1980 Patrinos
4,243,158 A 1/1981 Negosta
4,505,407 A * 3/1985 Johnson 222/181.1
D286,728 S 11/1986 Elmore
5,106,239 A 4/1992 Krebsbach
D328,007 S * 7/1992 Mondry et al. D7/589
D345,283 S 3/1994 Papanicholas
5,469,992 A 11/1995 Jenkins

1 Claim, 4 Drawing Sheets



US D618,061 S

Page 2

U.S. PATENT DOCUMENTS

D413,767 S * 9/1999 Elmore D7/589
5,997,220 A 12/1999 Wormser
6,179,167 B1 * 1/2001 Boot et al. 222/181.3
6,253,968 B1 7/2001 Van Dijk et al.
6,341,721 B1 1/2002 Herald et al.
6,484,905 B1 11/2002 Swackhamer et al.
D467,465 S * 12/2002 Apelboim et al. D7/589
7,090,098 B2 * 8/2006 Livingston et al. 222/651
D557,988 S * 12/2007 Deeds D7/589
2003/0071061 A1 4/2003 Lassota
2005/0139622 A1 6/2005 Saulle

FOREIGN PATENT DOCUMENTS

EP 1468744 10/2004
GB 1068510 5/1967
GB 1569697 6/1980
GB 2111946 7/1983
GB 2208659 4/1989
GB 2306303 5/1997
WO 02/24140 A2 3/2002
WO 02/24140 A3 3/2002
WO 03/022414 3/2003
WO 03/023120 3/2003

* cited by examiner

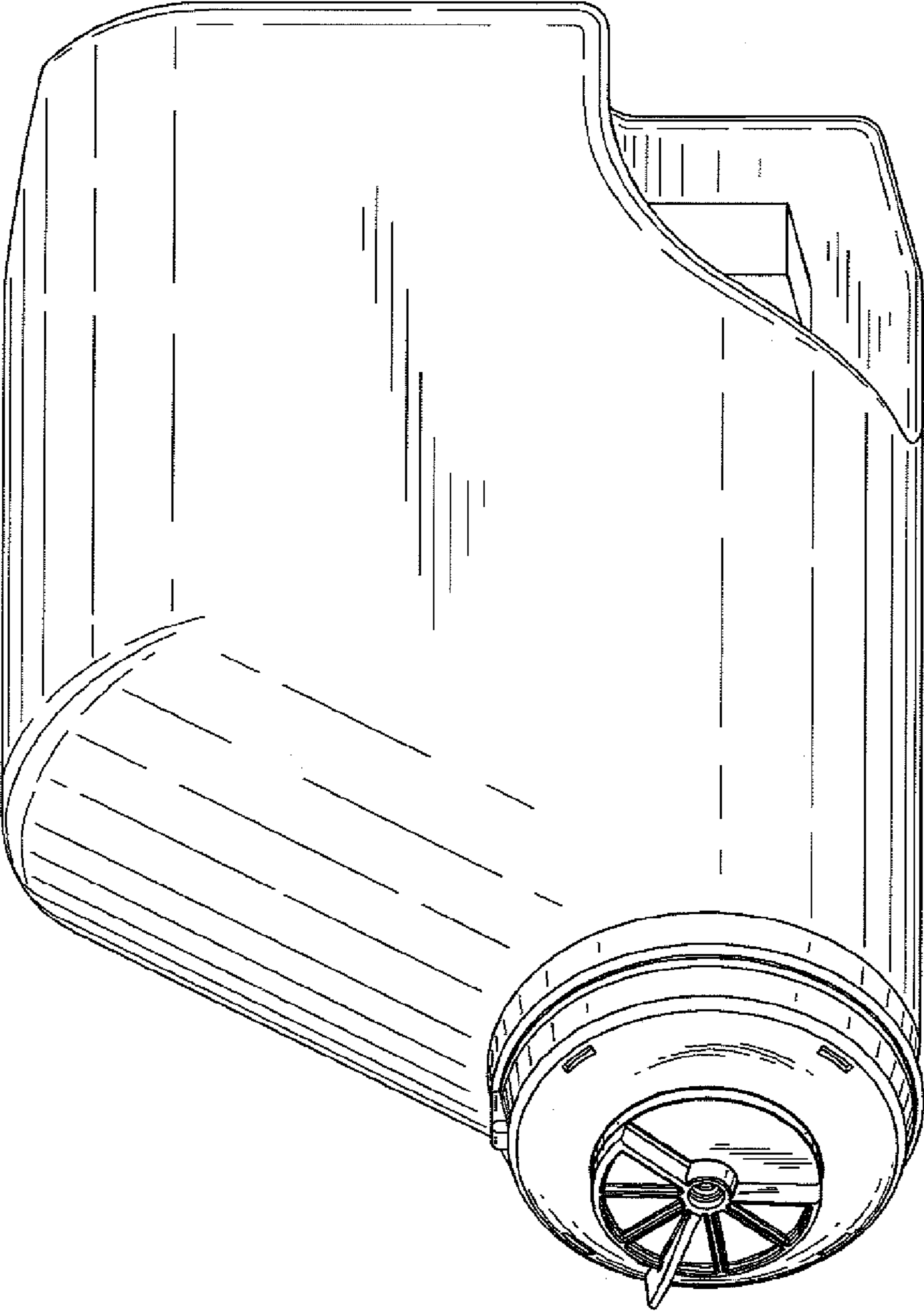


FIG. 1

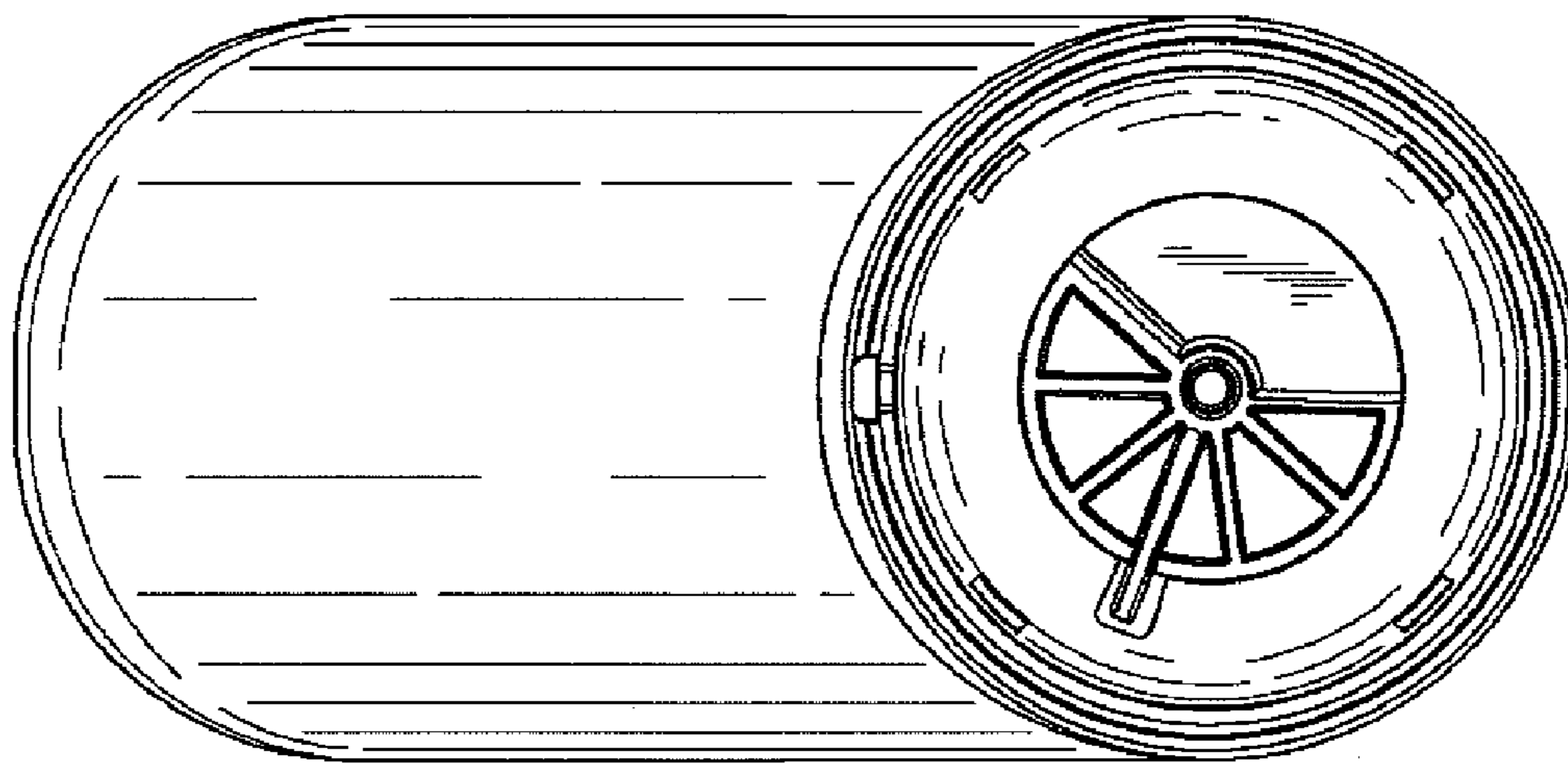


FIG. 2

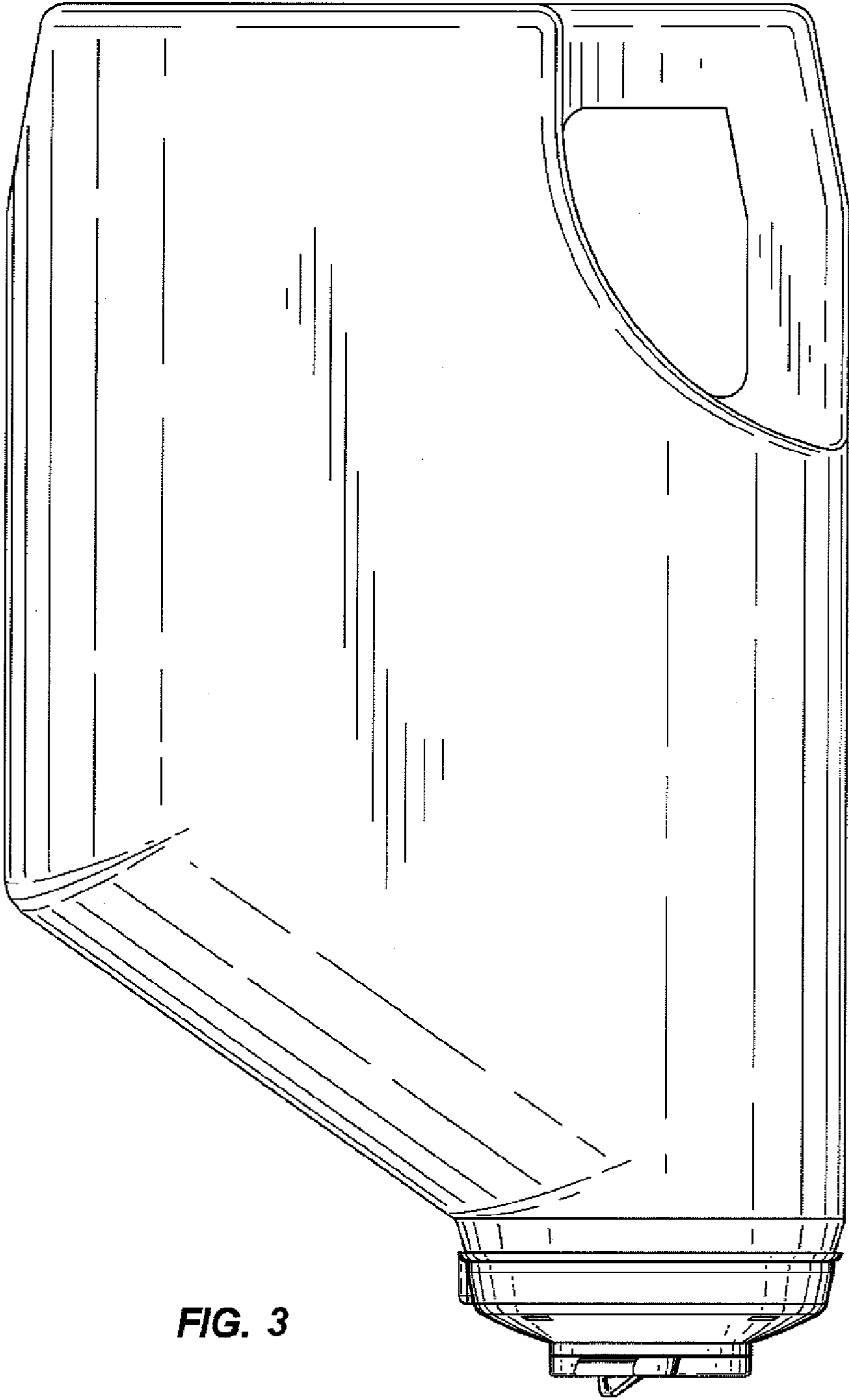


FIG. 3

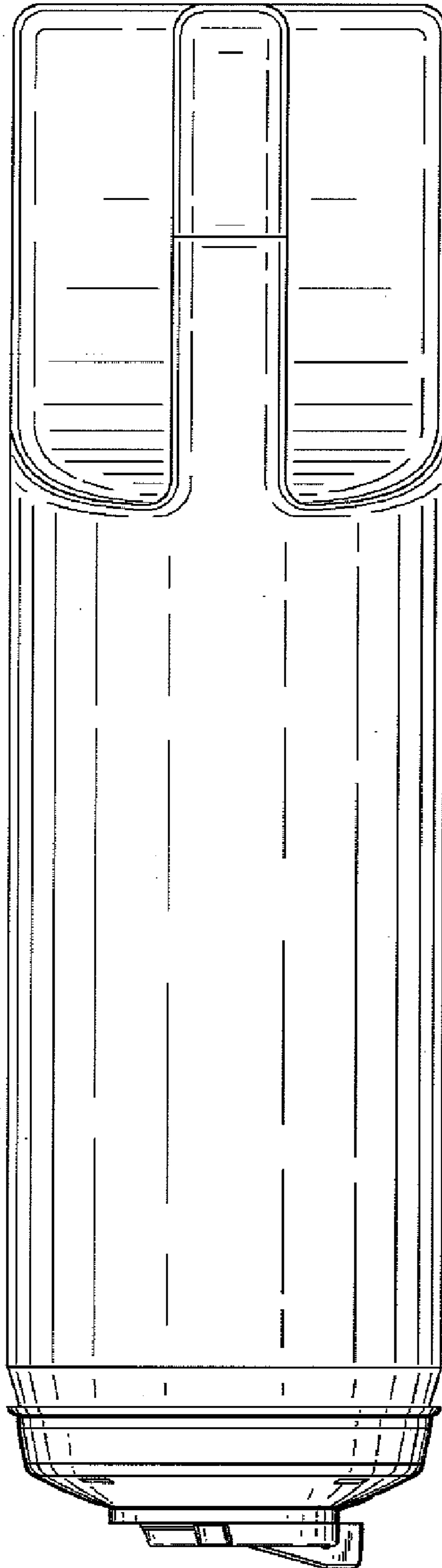


FIG. 4

UNITED STATES PATENT AND TRADEMARK OFFICE
CERTIFICATE OF CORRECTION

PATENT NO. : Des. 618,061 S
APPLICATION NO. : 29/332117
DATED : June 22, 2010
INVENTOR(S) : Tyson L. Webster et al.

Page 1 of 1

It is certified that error appears in the above-identified patent and that said Letters Patent is hereby corrected as shown below:

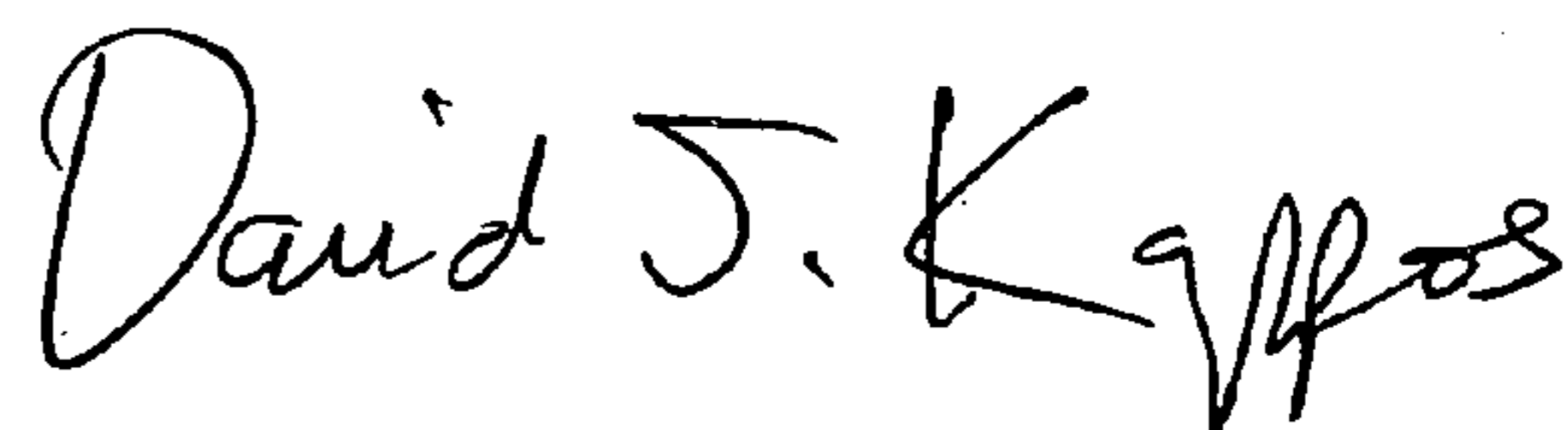
On the Title Page

On Page 2 Item (56) under U.S. PATENT DOCUMENTS

6,253,968 B1 should be 6,253,868

Signed and Sealed this

Fifth Day of October, 2010

A handwritten signature in black ink that reads "David J. Kappos". The signature is written in a cursive style with a large, prominent "D" and "K".

David J. Kappos
Director of the United States Patent and Trademark Office