



US00D618059S

(12) **United States Design Patent**
Huang

(10) **Patent No.:** **US D618,059 S**

(45) **Date of Patent:** **** Jun. 22, 2010**

(54) **BARBECUE LIGHTER**

(76) Inventor: **Xinhua Huang**, No. 239, Northern The
Third Circular Road, East, Cixi, Ningbo,
Zhejiang Province (CN) 315600

(**) Term: **14 Years**

(21) Appl. No.: **29/351,476**

(22) Filed: **Dec. 7, 2009**

(30) **Foreign Application Priority Data**

Jun. 13, 2009 (CN) 2009 03 0189672.1

(51) **LOC (9) Cl.** **07-99**

(52) **U.S. Cl.** **D7/416**

(58) **Field of Classification Search** D7/416,
D7/417; D27/147; 431/153, 129; 219/372

See application file for complete search history.

(56) **References Cited**

U.S. PATENT DOCUMENTS

1,660,277	A *	2/1928	Schreer	431/125
2,394,349	A *	2/1946	Wilson	431/254
D203,349	S *	12/1965	Gross	D7/416
D213,518	S *	3/1969	van Poppel	D7/416
4,315,731	A *	2/1982	Moore	431/254
D277,307	S *	1/1985	Zeller et al.	D7/416
D382,444	S *	8/1997	Ferrara, Jr.	D7/416

D407,604	S *	4/1999	Liang	D7/416
D410,363	S *	6/1999	Tubby et al.	D7/416
D458,805	S *	6/2002	Christen	D7/416
D462,235	S *	9/2002	Chevalier et al.	D7/416
6,457,628	B1 *	10/2002	Lin	228/20.1
D477,748	S *	7/2003	Deffner	D7/416
D564,839	S *	3/2008	Wang	D7/416
D565,899	S *	4/2008	Wang	D7/416
D570,039	S *	5/2008	Huang	D27/147
7,566,219	B2 *	7/2009	Lin	431/344

* cited by examiner

Primary Examiner—Marianne Pandozzi

(57) **CLAIM**

The ornamental design for the barbecue lighter, as shown and described.

DESCRIPTION

FIG. 1 is a front view of a barbecue lighter showing my new design;

FIG. 2 is rear view thereof;

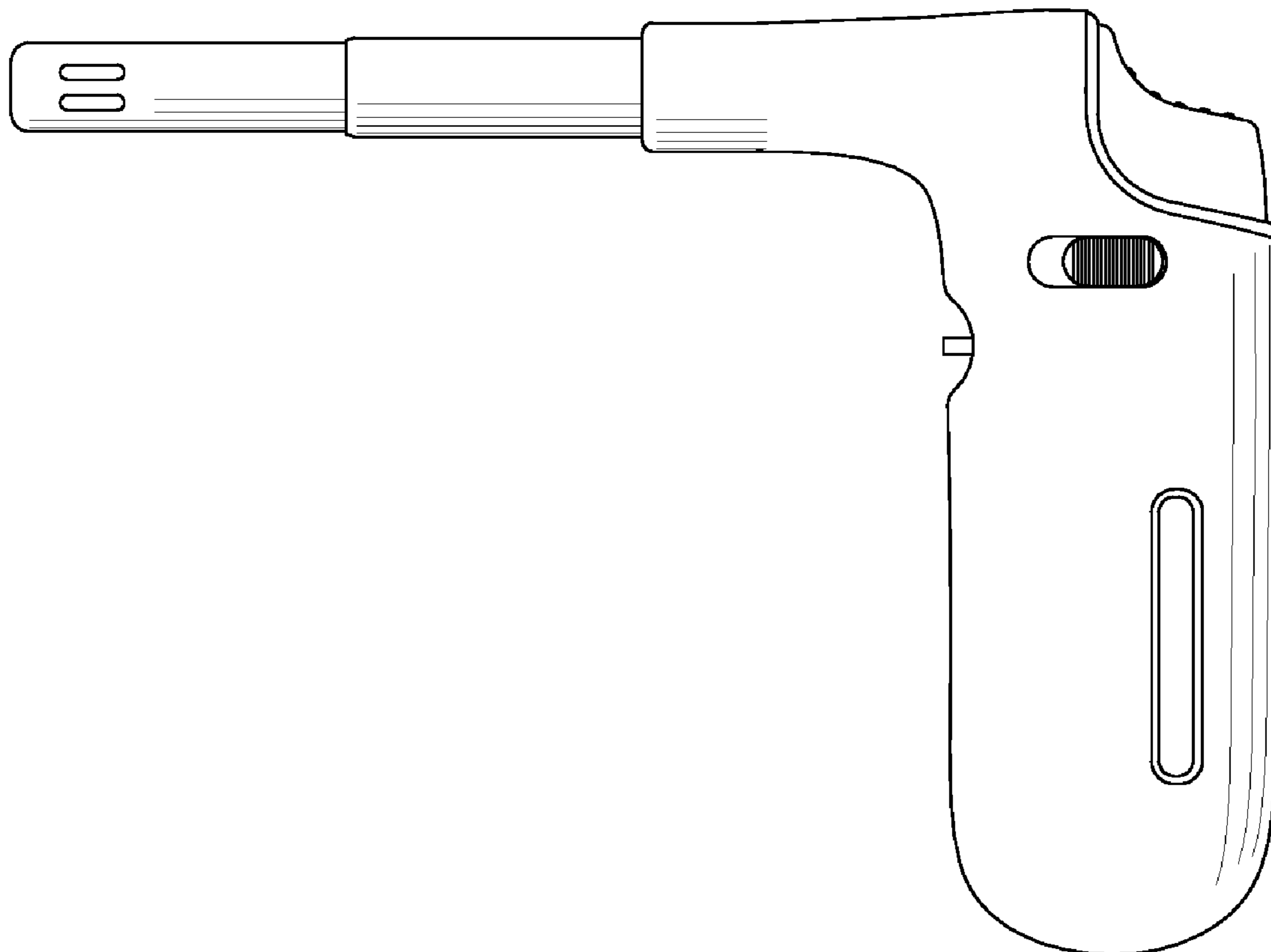
FIG. 3 is a top view thereof;

FIG. 4 is a bottom view thereof;

FIG. 5 is a left side view thereof; and,

FIG. 6 is a right side view thereof.

1 Claim, 2 Drawing Sheets



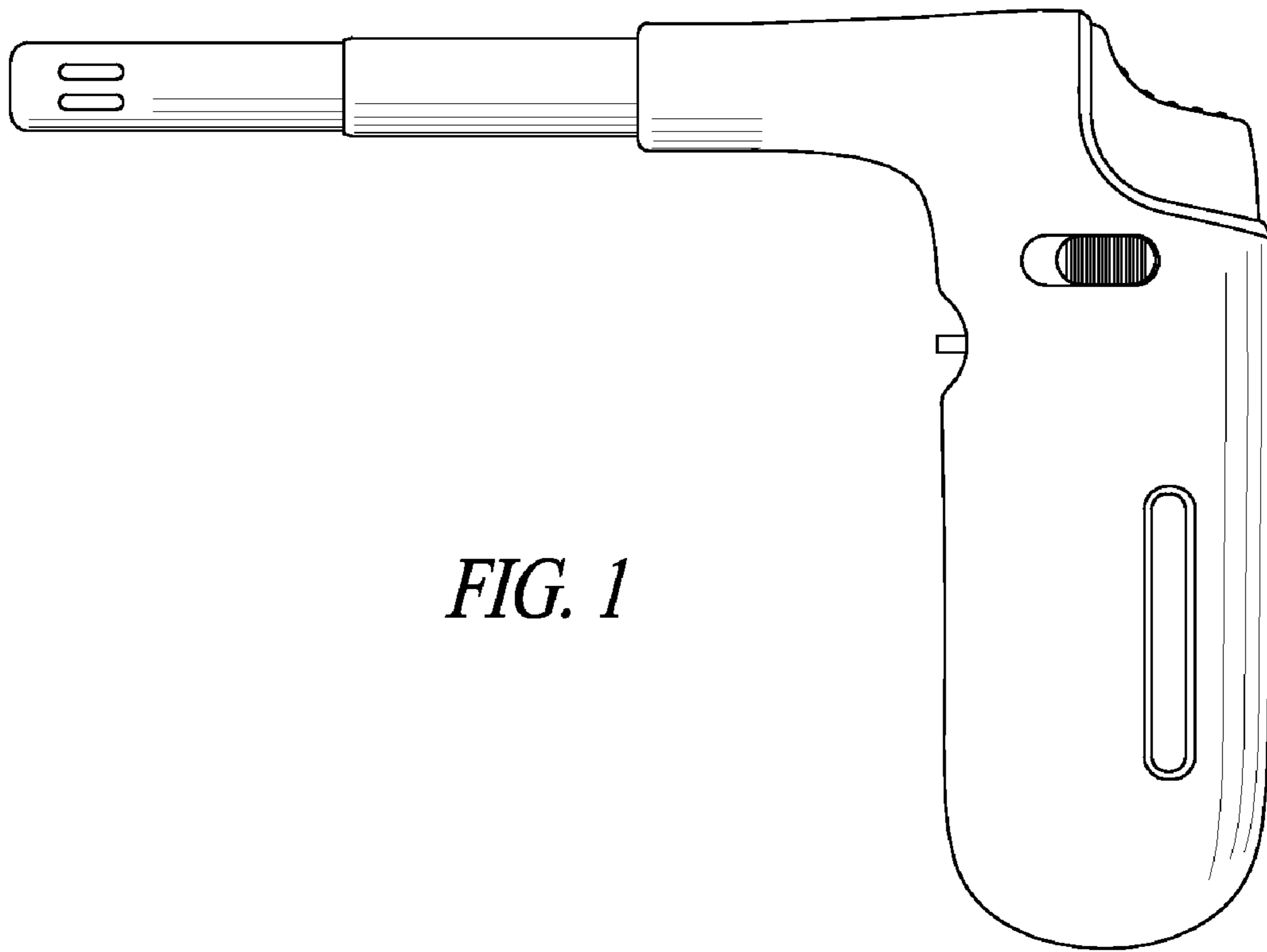


FIG. 1

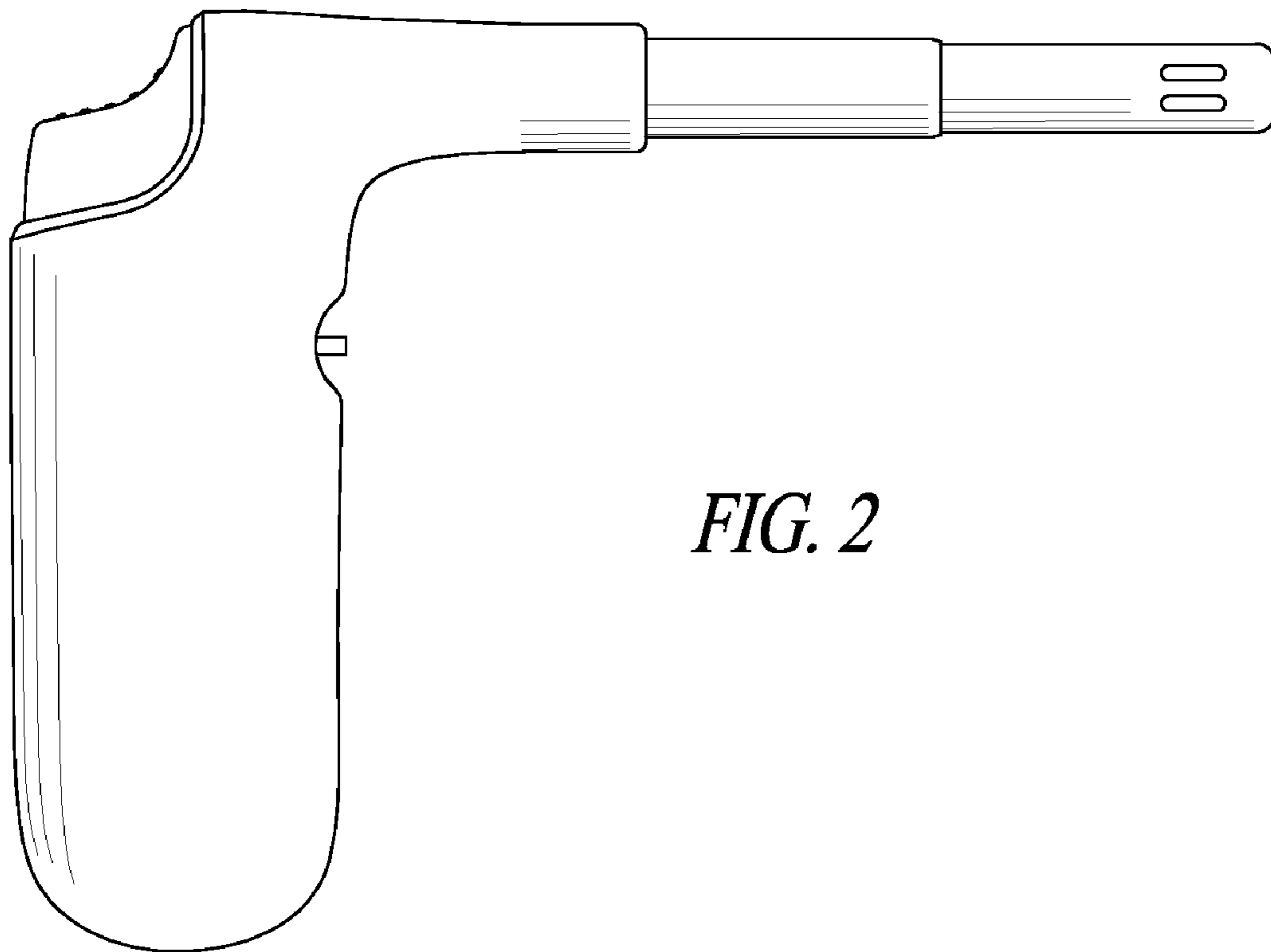


FIG. 2

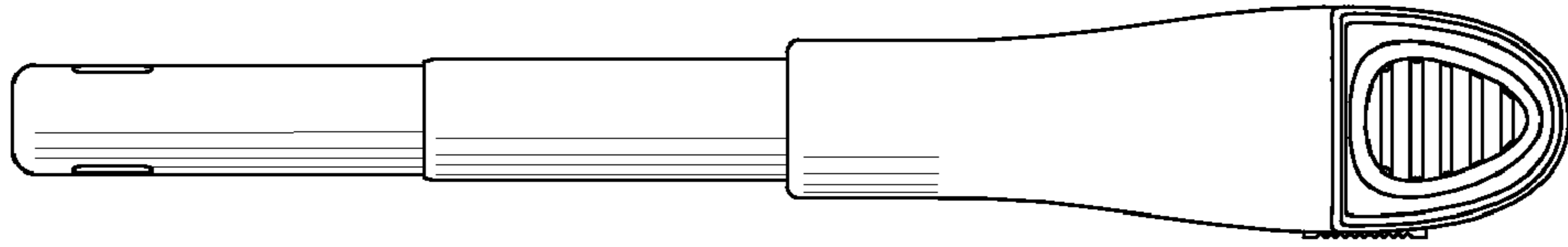


FIG. 3

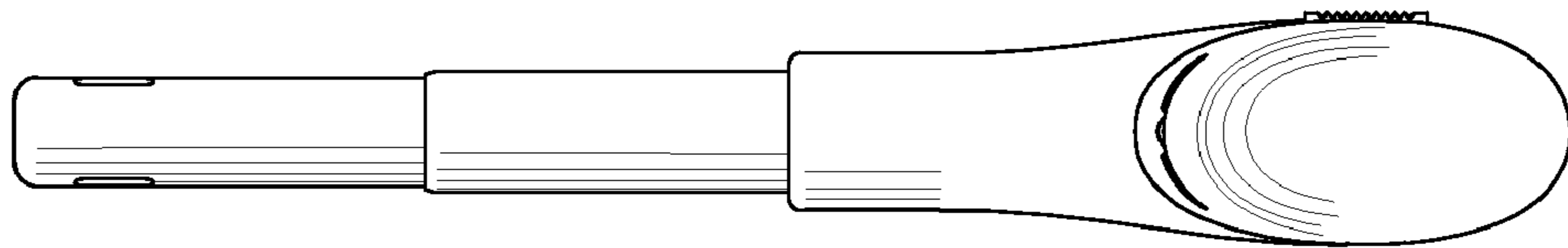


FIG. 4

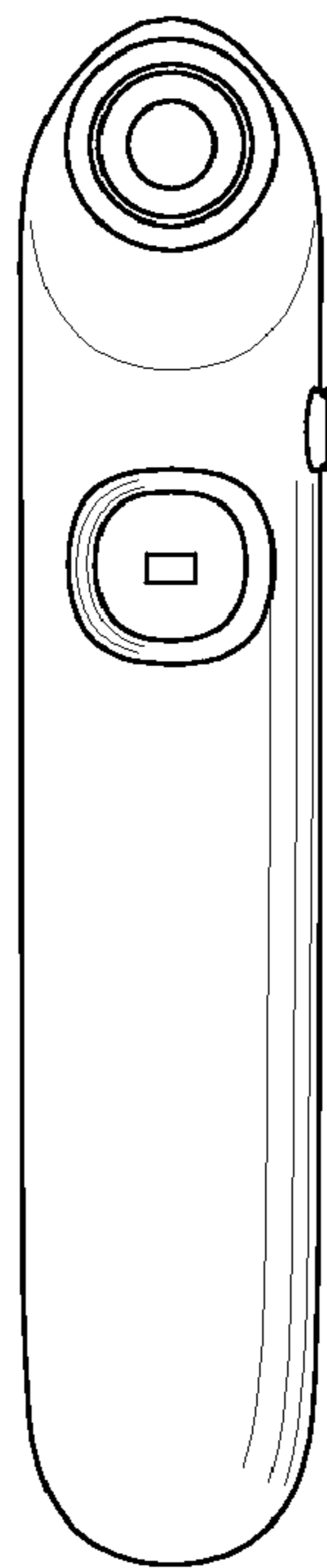


FIG. 5

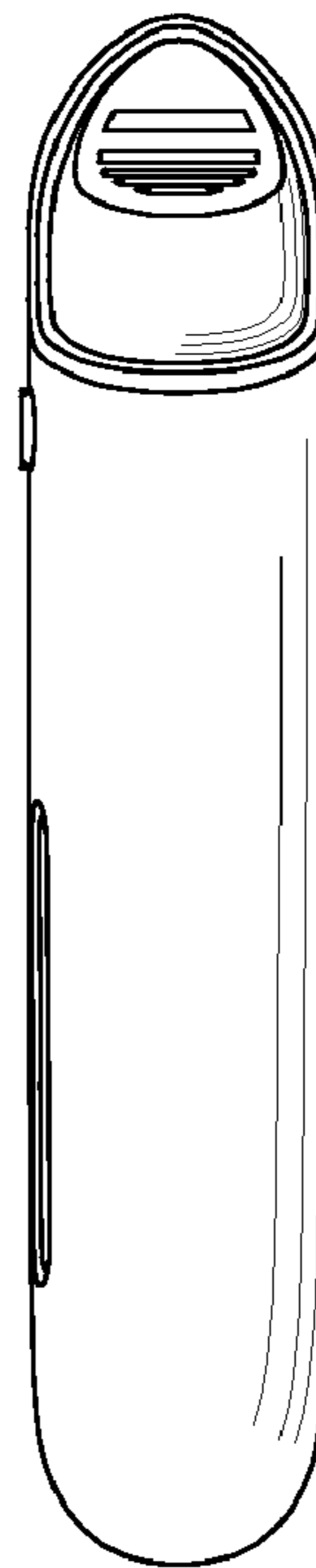


FIG. 6