



US00D618058S

(12) **United States Design Patent**
Tao

(10) **Patent No.:** **US D618,058 S**
(45) **Date of Patent:** **** Jun. 22, 2010**

(54) **GUN LIGHTER**

(76) Inventor: **Yangqun Tao**, No. 239, Northern The
Third Circular Road, East, Cixi, Ningbo,
Zhejiang Province (CN) 315600

(**) Term: **14 Years**

(21) Appl. No.: **29/347,069**

(22) Filed: **Sep. 14, 2009**

(30) **Foreign Application Priority Data**

Mar. 30, 2009 (CN) 2009 3 01810149

(51) **LOC (9) Cl.** **07-99**

(52) **U.S. Cl.** **D7/416**

(58) **Field of Classification Search** D27/139,
D27/141, 144, 147, 153, 154-160; 431/129-153,
431/253-257, 273-277; D7/416

See application file for complete search history.

(56) **References Cited**

U.S. PATENT DOCUMENTS

2,394,349 A * 2/1946 Wilson 431/275

D390,063 S * 2/1998 Kim D7/416
D390,750 S * 2/1998 Sung D7/416
D393,396 S * 4/1998 Ferrara, Jr. D7/416
6,488,493 B2 * 12/2002 Sung 431/153
D472,765 S * 4/2003 Deffner D7/416
D570,039 S * 5/2008 Huang D27/147
7,556,494 B2 * 7/2009 Huang 431/153

* cited by examiner

Primary Examiner—Dominic Simone

(57) **CLAIM**

The ornamental design for the gun lighter, as shown and described.

DESCRIPTION

FIG. 1 is a front view of a gun lighter showing my new design;

FIG. 2 is a rear view thereof;

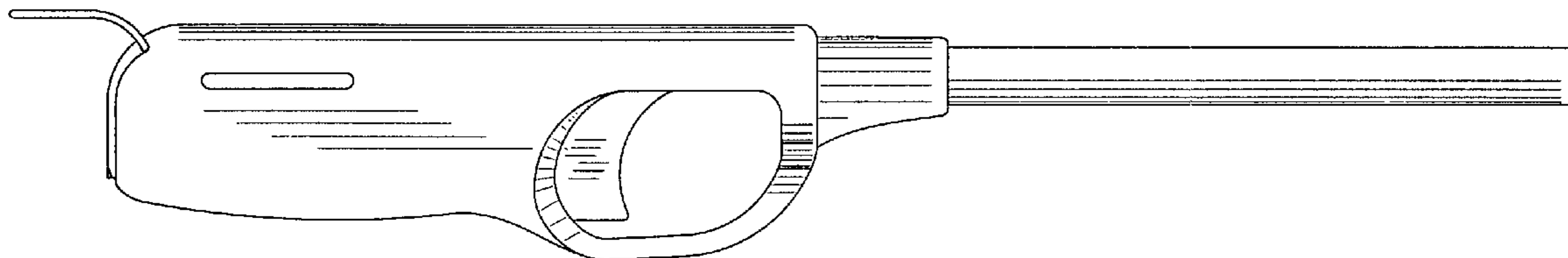
FIG. 3 is a top view thereof;

FIG. 4 is a bottom view thereof;

FIG. 5 is an enlarged left side view thereof; and,

FIG. 6 is an enlarged right side view thereof.

1 Claim, 3 Drawing Sheets



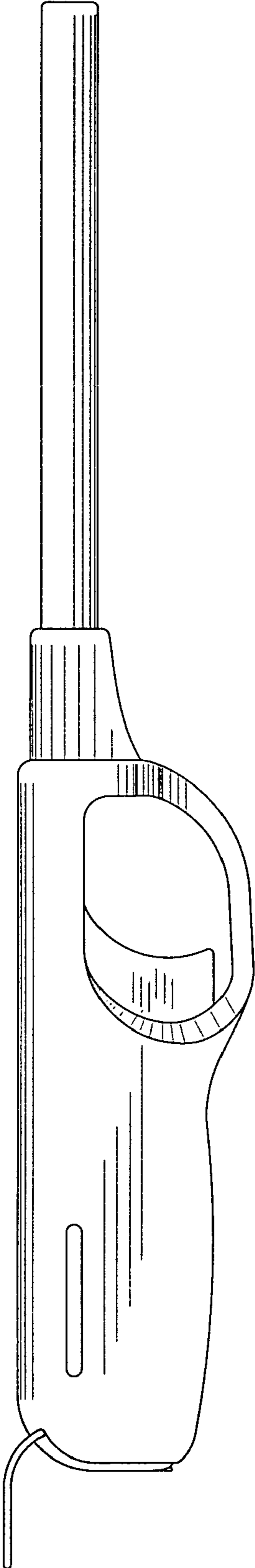


FIG. 1

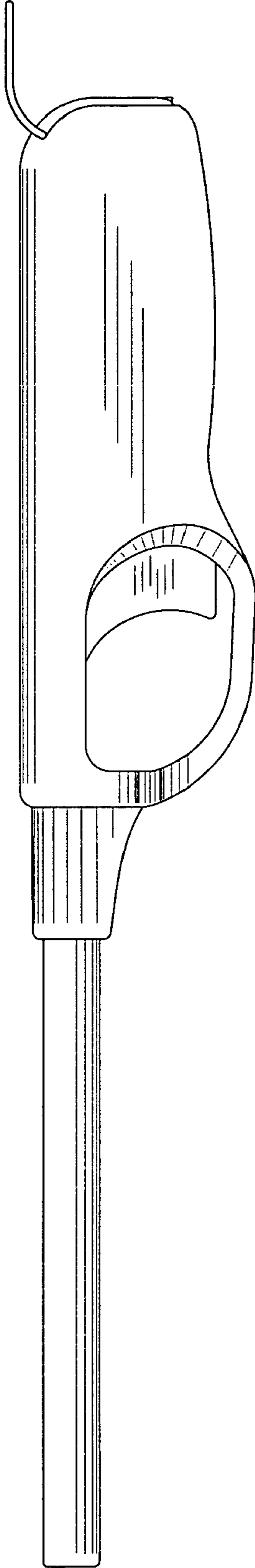


FIG. 2

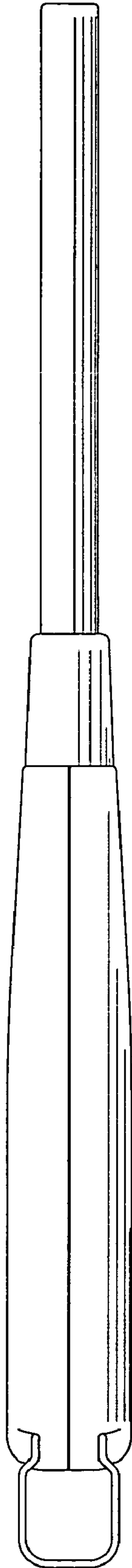


FIG. 3

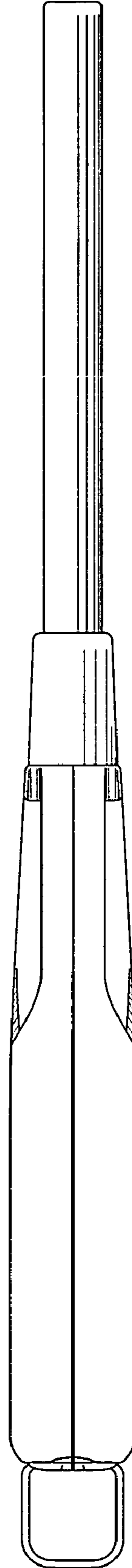


FIG. 4

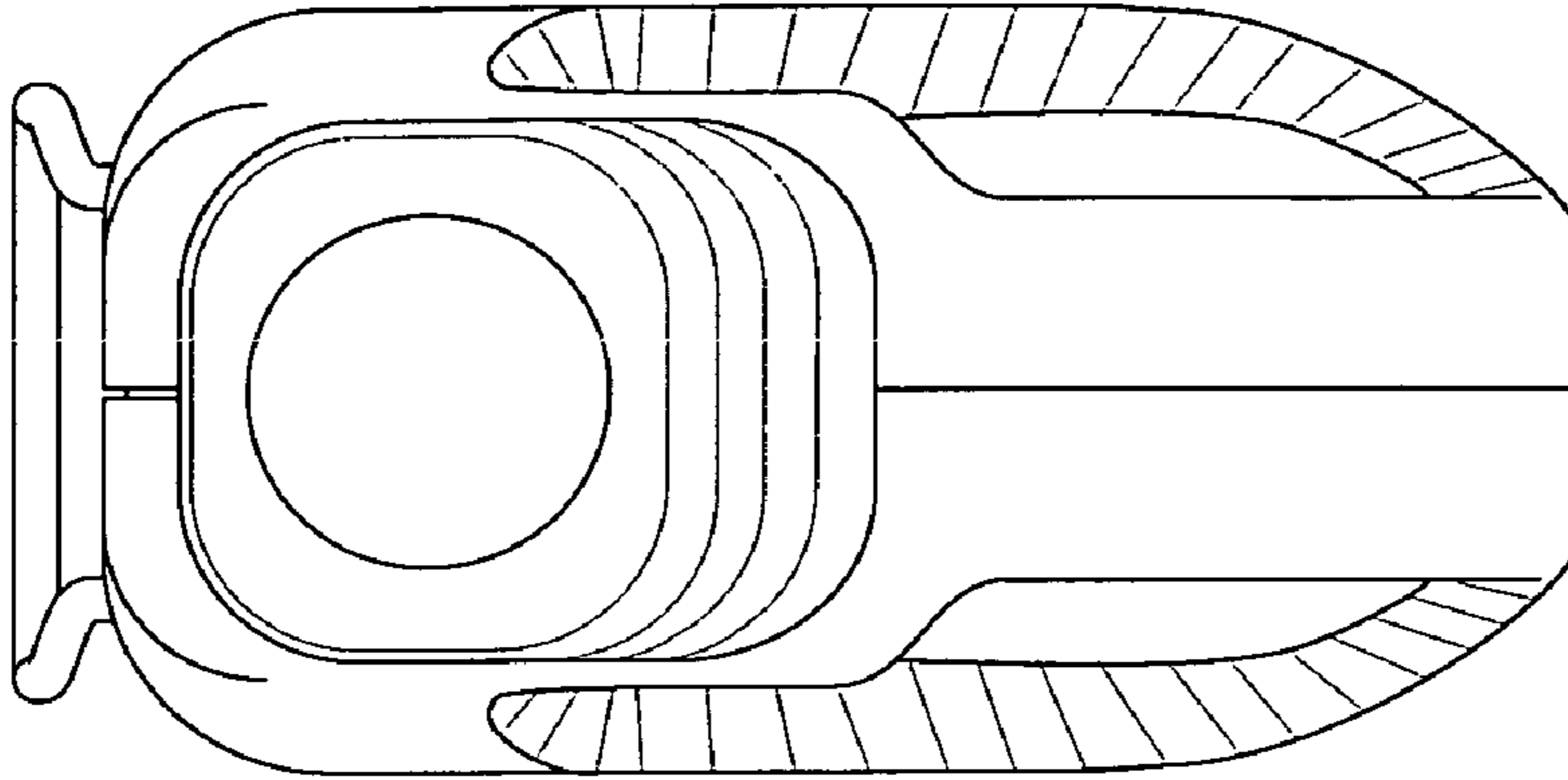


FIG. 6

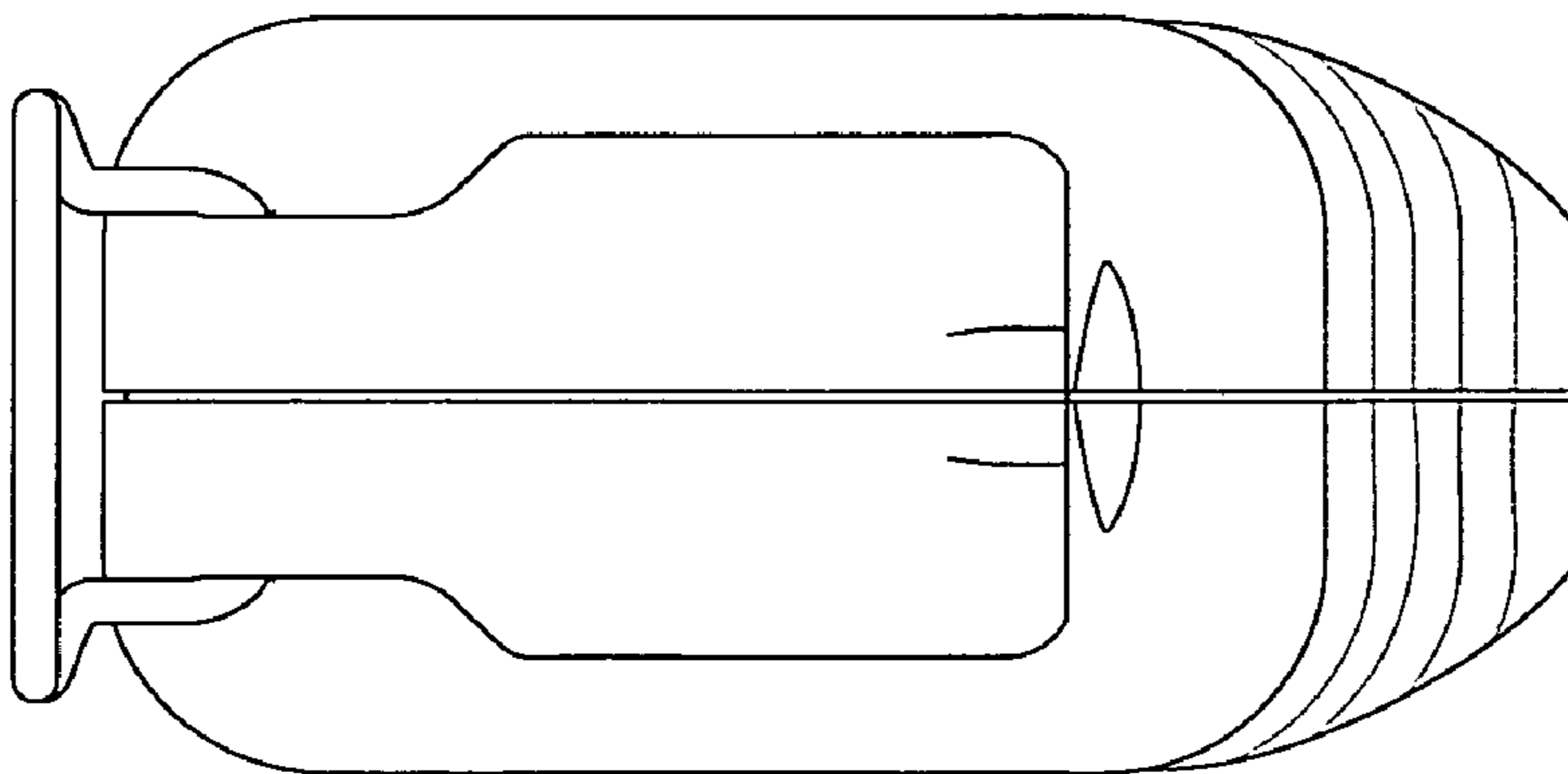


FIG. 5