



US00D618057S

(12) **United States Design Patent**  
**Ormrod et al.**

(10) **Patent No.:** **US D618,057 S**  
(45) **Date of Patent:** **\*\* Jun. 22, 2010**

(54) **BARBEQUE GRILL PLATE**  
(75) Inventors: **Joseph Ormrod**, New South Wales (AU); **Joshua Morabito**, New South Wales (AU)  
(73) Assignee: **Shriro Australia Pty Limited**, New South Wales (AU)

D503,066 S \* 3/2005 Milti ..... D7/359  
D538,584 S \* 3/2007 Scholze et al. .... D7/359  
D570,154 S \* 6/2008 Wang ..... D7/359  
D579,719 S \* 11/2008 King et al. .... D7/409  
D581,207 S \* 11/2008 Leavens et al. .... D7/359  
D588,399 S \* 3/2009 Vrbaneck ..... D7/359  
D594,276 S \* 6/2009 Hamlin ..... D7/402  
D600,070 S \* 9/2009 Kellermann et al. .... D7/409

(\*\*) Term: **14 Years**  
(21) Appl. No.: **29/346,395**  
(22) Filed: **Oct. 30, 2009**

\* cited by examiner

*Primary Examiner*—T. Chase Nelson  
*Assistant Examiner*—Mark Cavanna  
(74) *Attorney, Agent, or Firm*—Fitch, Even, Tabin & Flannery

(30) **Foreign Application Priority Data**  
May 7, 2009 (AU) ..... 11628/2009

(57) **CLAIM**

We claim the ornamental design for a barbeque grill plate, as shown and described.

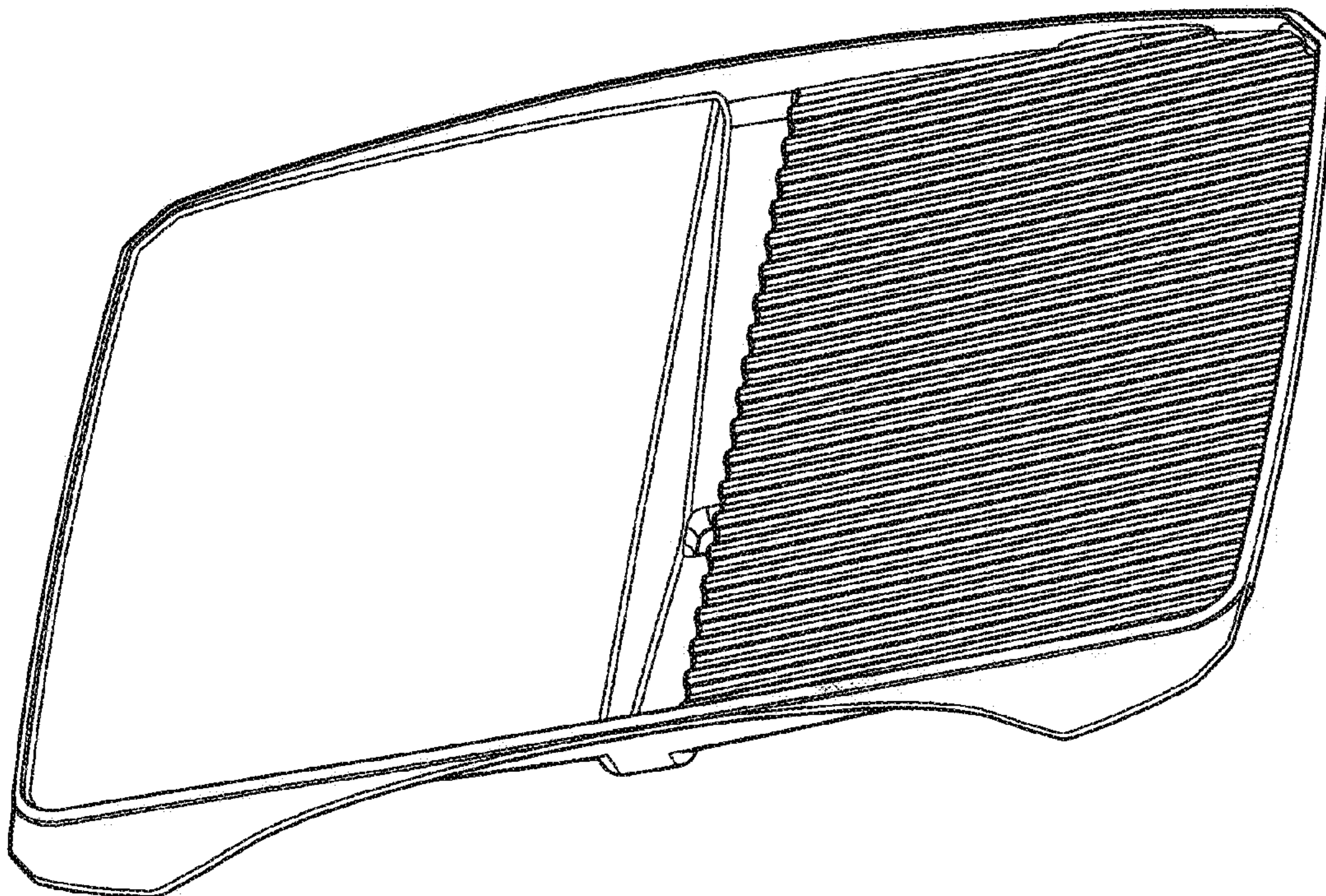
(51) **LOC (9) Cl.** ..... **07-02**  
(52) **U.S. Cl.** ..... **D7/408; D7/409**  
(58) **Field of Classification Search** ..... D7/323, D7/354, 359, 363, 402, 407-409, 505; 99/425-426, 99/444-447; 126/332, 337 R; 220/573.1-573.3  
See application file for complete search history.

**DESCRIPTION**

FIG. 1 is a top perspective view of the barbeque grill plate, showing our new design;  
FIG. 2 is a bottom perspective view thereof;  
FIG. 3 is a front elevational view thereof;  
FIG. 4 is a rear elevational view thereof;  
FIG. 5 is a top plan view thereof;  
FIG. 6 is a bottom plan view thereof;  
FIG. 7 is a right side elevational view thereof; and,  
FIG. 8 is a left side elevational view thereof.

(56) **References Cited**  
U.S. PATENT DOCUMENTS  
D229,532 S \* 12/1973 Colato et al. .... D7/409  
D271,072 S \* 10/1983 Mjelde ..... D7/505  
D285,281 S \* 8/1986 Sable, II ..... D7/363  
D363,410 S \* 10/1995 Hazen ..... D7/359  
D393,980 S \* 5/1998 Kellermann ..... D7/409  
D451,334 S \* 12/2001 Dillenbeck ..... D7/354  
D498,387 S \* 11/2004 Hojnoski ..... D7/402

**1 Claim, 4 Drawing Sheets**



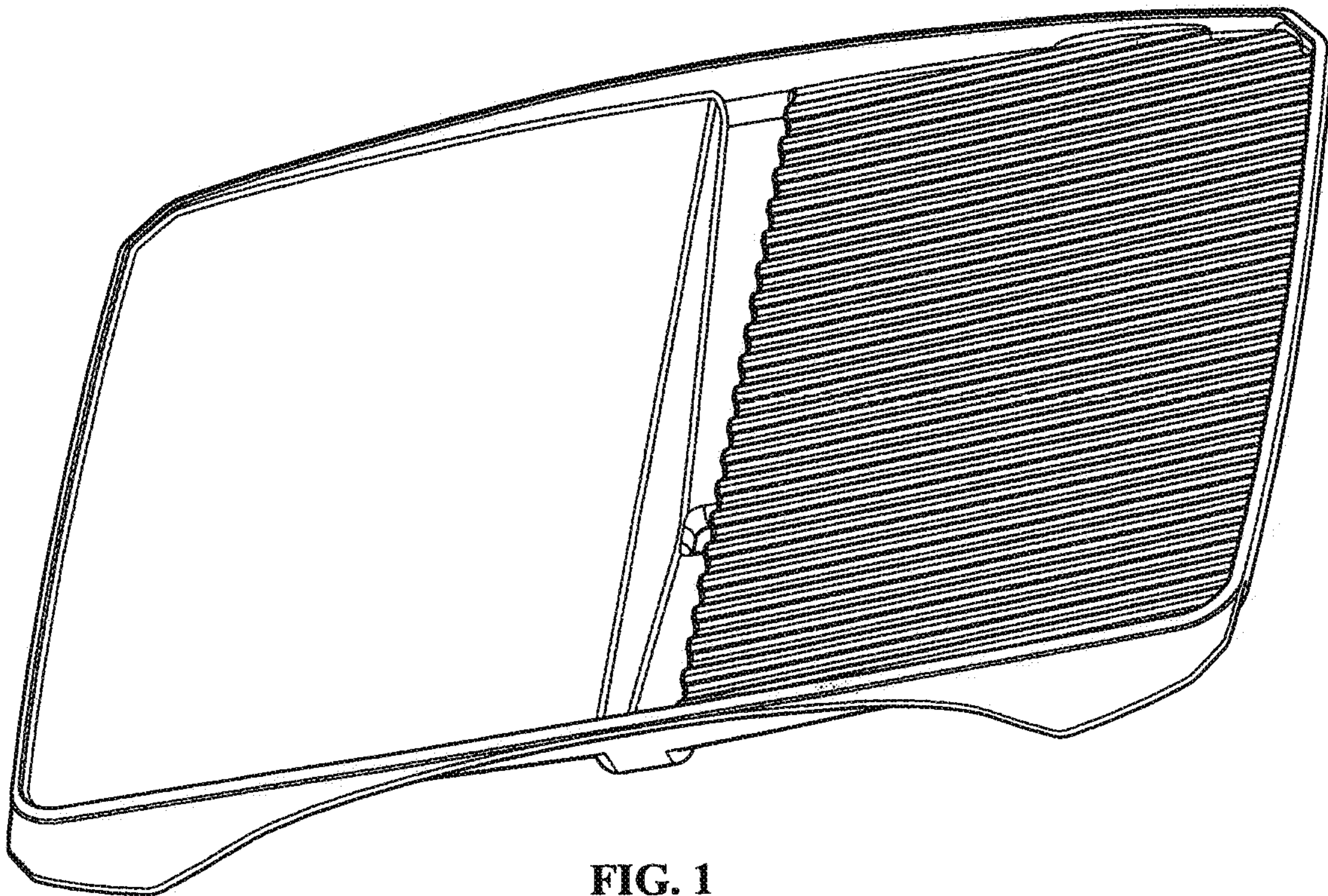


FIG. 1



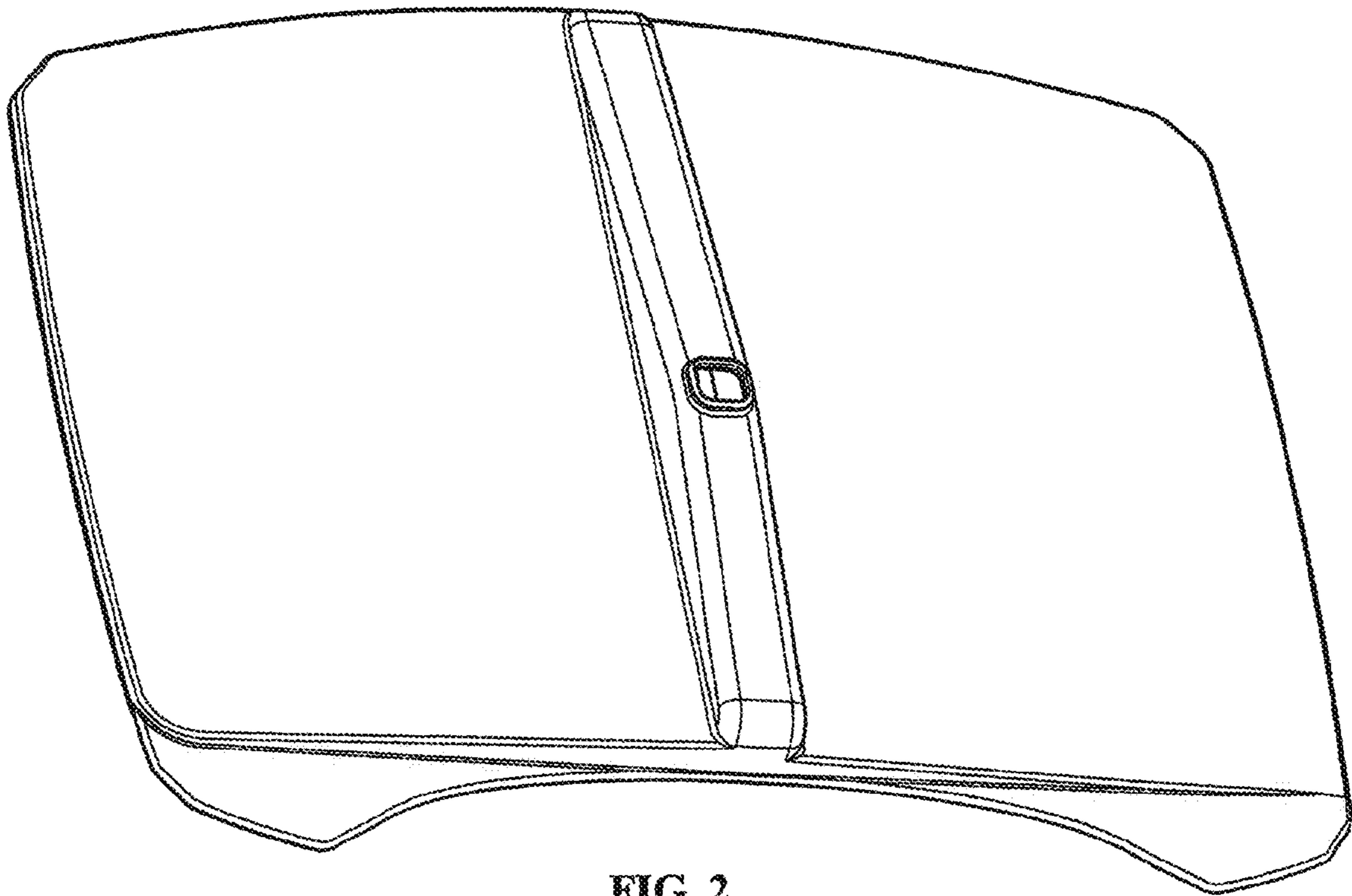


FIG. 2



FIG. 3



FIG. 4

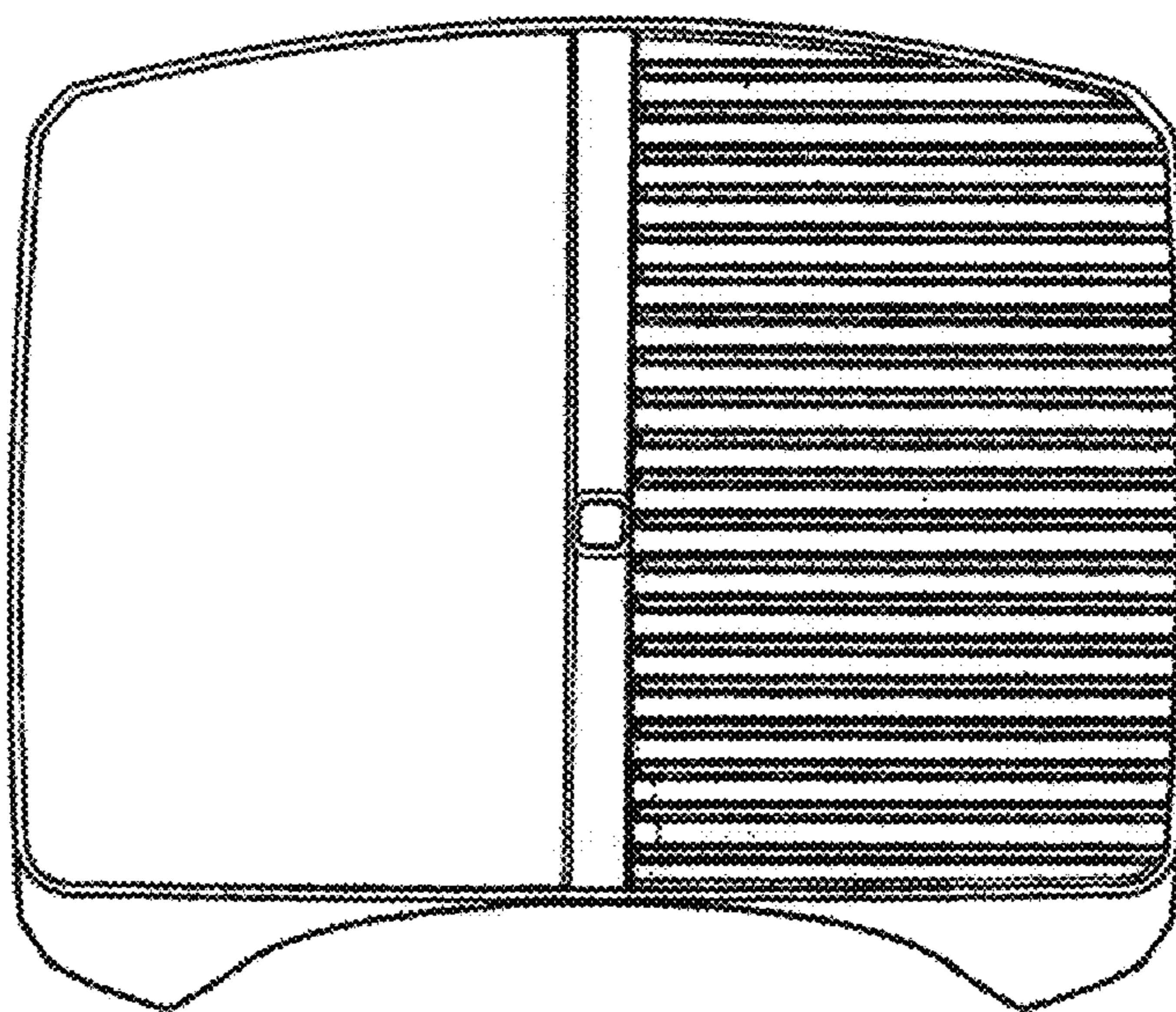


FIG. 5

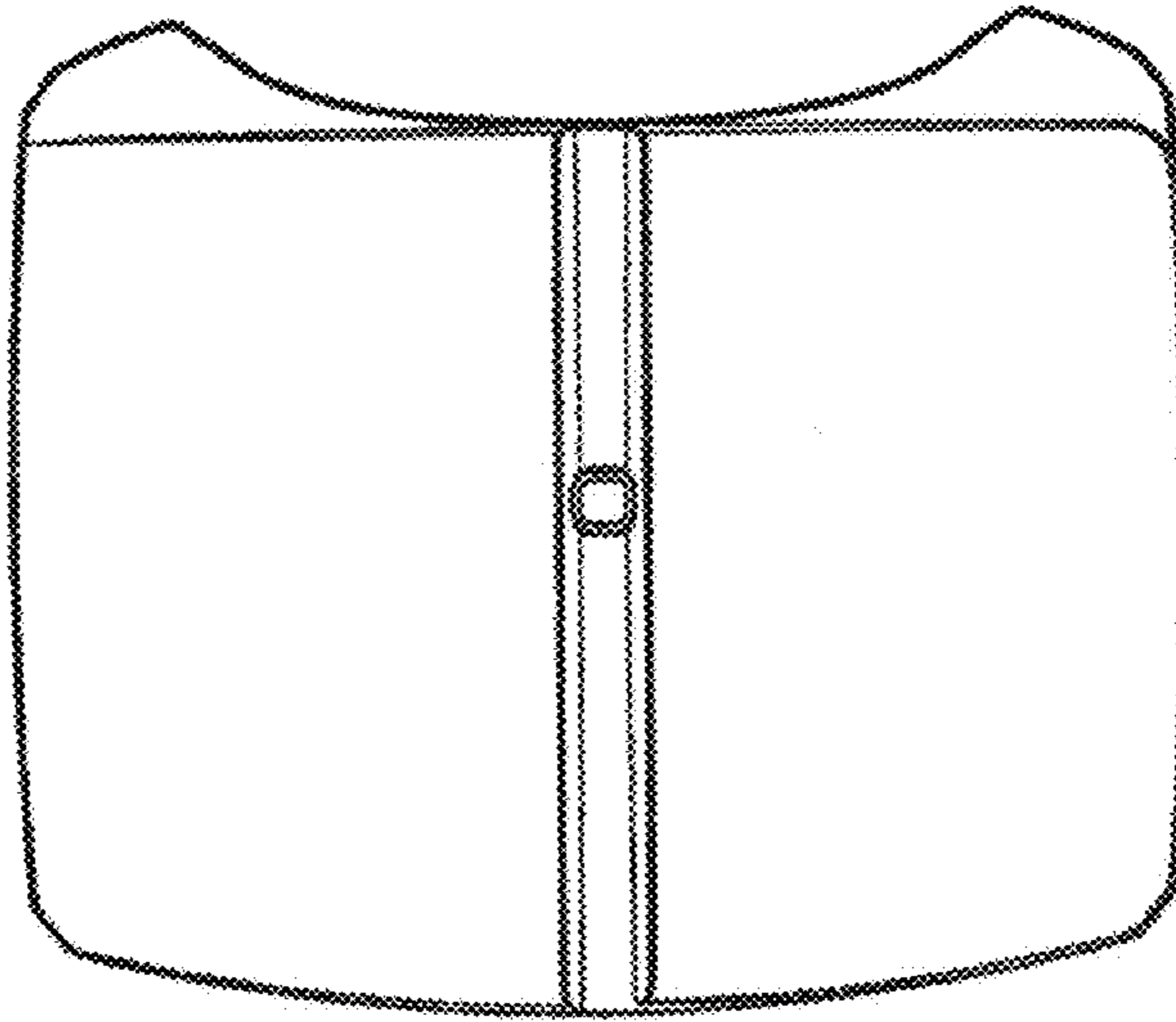


FIG. 6

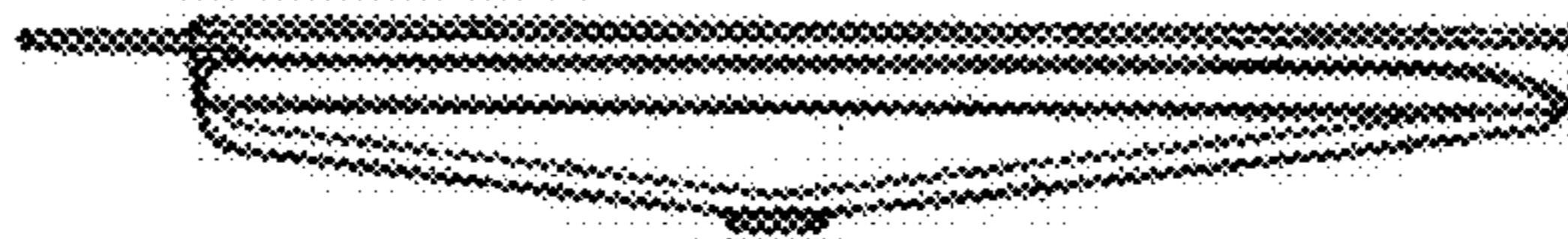


FIG. 7

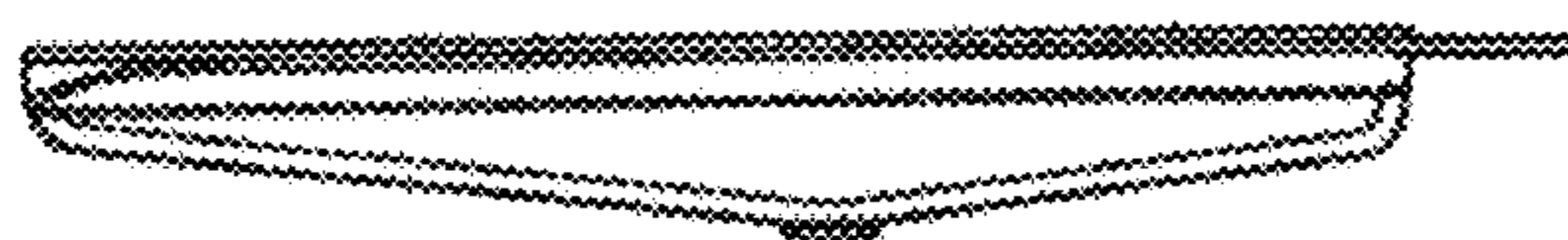


FIG. 8