



US00D618050S

(12) **United States Design Patent**  
**Eisenhardt**

(10) **Patent No.:** **US D618,050 S**  
(45) **Date of Patent:** **\*\* Jun. 22, 2010**

(54) **LID**

(75) **Inventor:** **Geoffrey Lawrence Eisenhardt**, Long Beach, CA (US)

(73) **Assignee:** **Misaine Trade, Inc.**, Gardena, CA (US)

(\*\*) **Term:** **14 Years**

(21) **Appl. No.:** **29/334,915**

(22) **Filed:** **Apr. 3, 2009**

(51) **LOC (9) Cl.** ..... **07-02**

(52) **U.S. Cl.** ..... **D7/392.1**

(58) **Field of Classification Search** ..... D7/316,  
D7/317, 391, 392, 392.1, 396.2, 509, 510,  
D7/511, 629; D9/434, 435, 440, 444, 445,  
D9/447, 449-450, 454, 503-504; 215/211,  
215/200, 224, 228, 243; 220/254.7, 269,  
220/270, 271, 700, 701, 703, 711, 713-715,  
220/719

See application file for complete search history.

(56) **References Cited**

**U.S. PATENT DOCUMENTS**

2,447,870 A	8/1948	Polcyn	
4,133,446 A	1/1979	Albert	
4,136,797 A *	1/1979	Potts	..... 220/271
4,136,799 A	1/1979	Albert	
D291,537 S *	8/1987	Crawford et al.	..... D9/440

(Continued)

*Primary Examiner*—Philip S Hyder

*Assistant Examiner*—Cynthia M Chin

(74) *Attorney, Agent, or Firm*—Knobbe Martens Olson & Bear LLP

(57) **CLAIM**

The ornamental design for a lid, as shown and described.

**DESCRIPTION**

FIG. 1 is a top view of the lid showing my new design, shown separately without the closure piece for clarity of illustration.

FIG. 2 is a bottom view of the lid.

FIG. 3 is a first side view of the lid.

FIG. 4 is a second side view of the lid.

FIG. 5 is a third side view of the lid.

FIG. 6 is a fourth side view of the lid.

FIG. 7 is a first cross-sectional front view of the lid taken along 7—7.

FIG. 8 is a second cross-sectional side view of the lid taken along 8—8.

FIG. 9 is a third cross-sectional side view of the lid taken along 9—9.

FIG. 10 is a top view of the closure piece portion of the lid, shown separately for clarity of illustration.

FIG. 11 is a bottom view of the closure piece portion.

FIG. 12 is a first side view of the closure piece portion.

FIG. 13 is second side view of the closure piece portion.

FIG. 14 is a third side view of the closure piece portion.

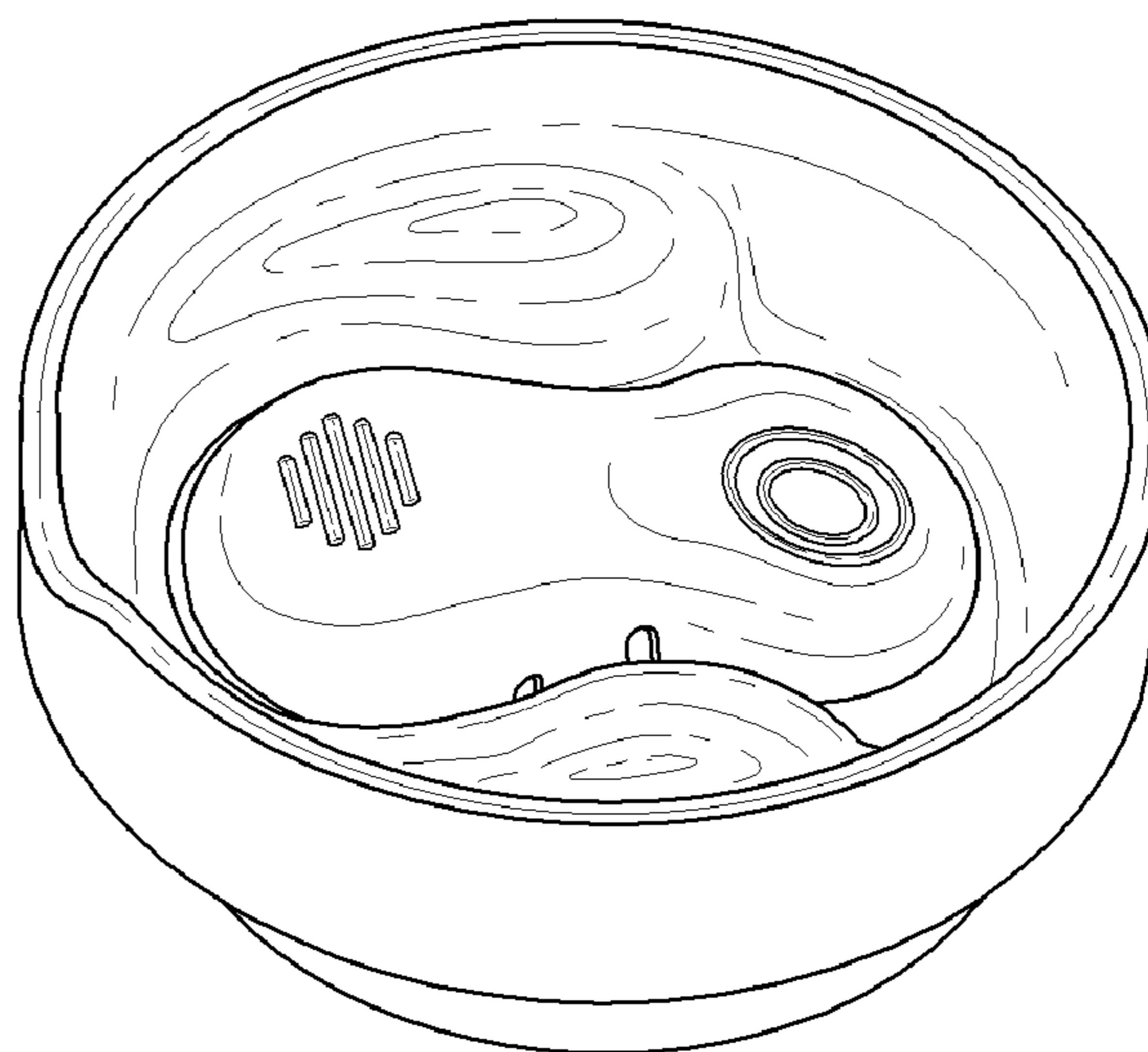
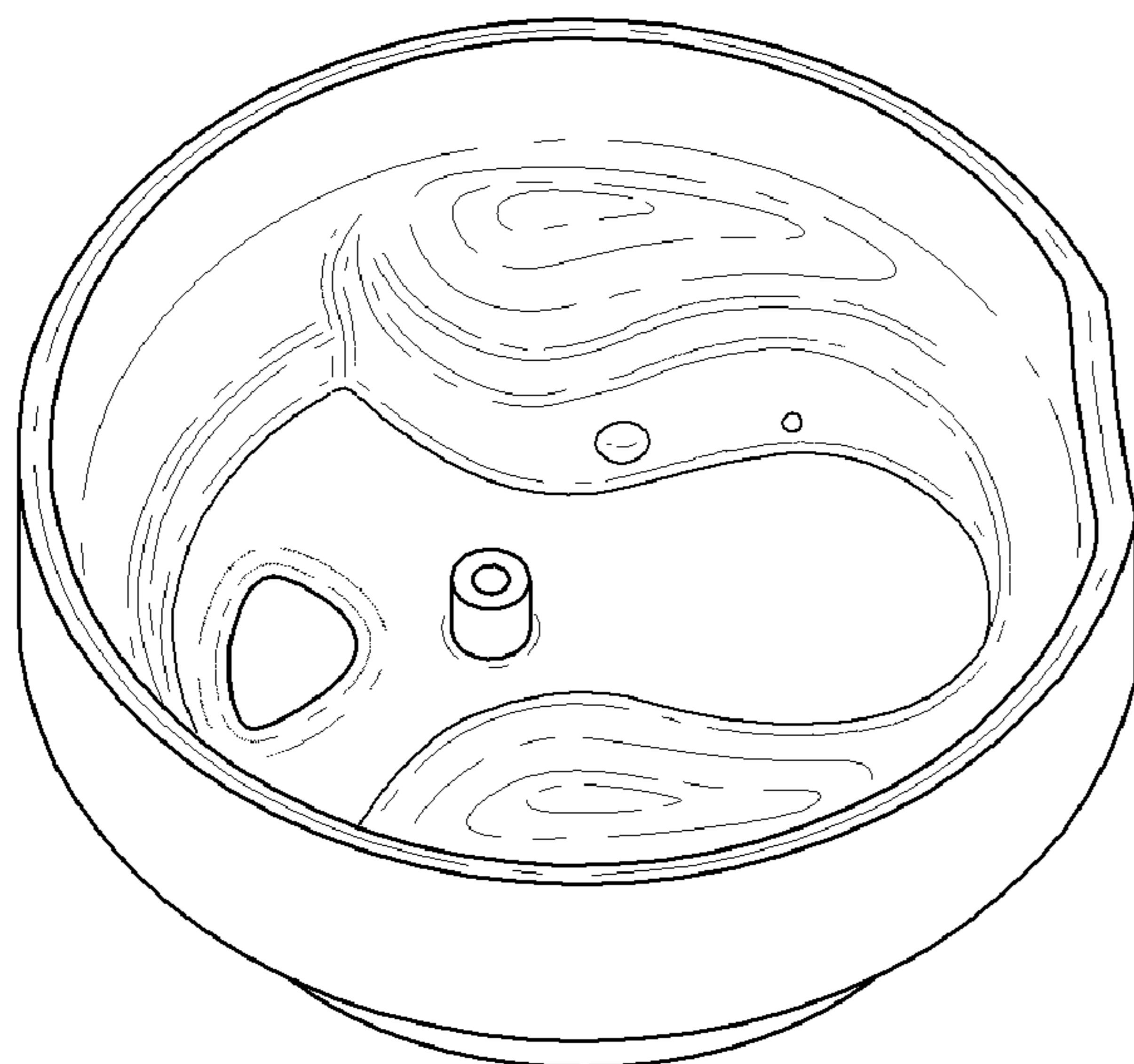
FIG. 15 is a fourth side view of the closure piece portion.

FIG. 16 is a cross-sectional view of the closure piece portion taken along 16—16.

FIG. 17 is a perspective top view of the lid shown without the closure piece for clarity of illustration; and,

FIG. 18 is a perspective view of the lid shown with the closure piece.

**1 Claim, 5 Drawing Sheets**



# US D618,050 S

Page 2

---

## U.S. PATENT DOCUMENTS

5,036,993	A	8/1991	Ramsey				
5,082,134	A	1/1992	Ramsey				
5,186,353	A	2/1993	Ramsey				
5,222,623	A	6/1993	Eger et al.				
5,546,997	A *	8/1996	Miramón	.....	215/228		
D411,745	S *	6/1999	Mohary et al.	.....	D9/449		
6,138,854	A *	10/2000	Kaneko et al.	.....	220/254.7		
D470,008	S *	2/2003	Trombly	.....	D7/392.1		
D480,641	S	10/2003	Hurlbut et al.				
D485,759	S *	1/2004	Janky et al.	.....	D9/449		
D486,734	S *	2/2004	Weber	.....	D9/445		
6,763,964	B1	7/2004	Hurlbut et al.				
6,923,337	B2	8/2005	Hession et al.				
D527,576	S *	9/2006	Gluck	.....	D7/392.1		
D536,213	S	2/2007	Schuler et al.				
D536,214	S *	2/2007	Schuler et al.	.....	D7/392.1		
7,195,137	B2	3/2007	Belcastro				
D581,211	S *	11/2008	Lapsker	.....	D7/396.2		

\* cited by examiner

FIG. 1

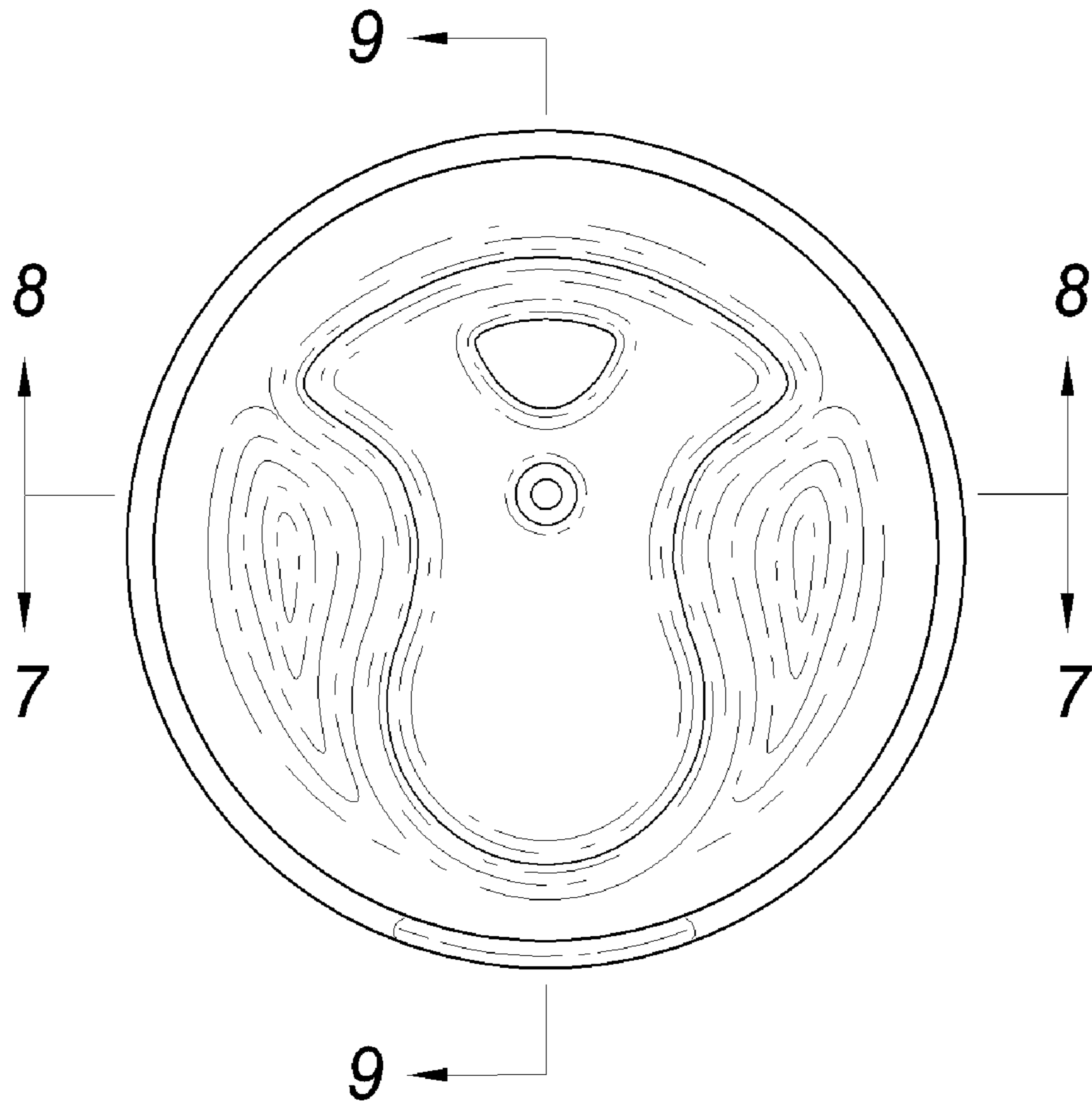
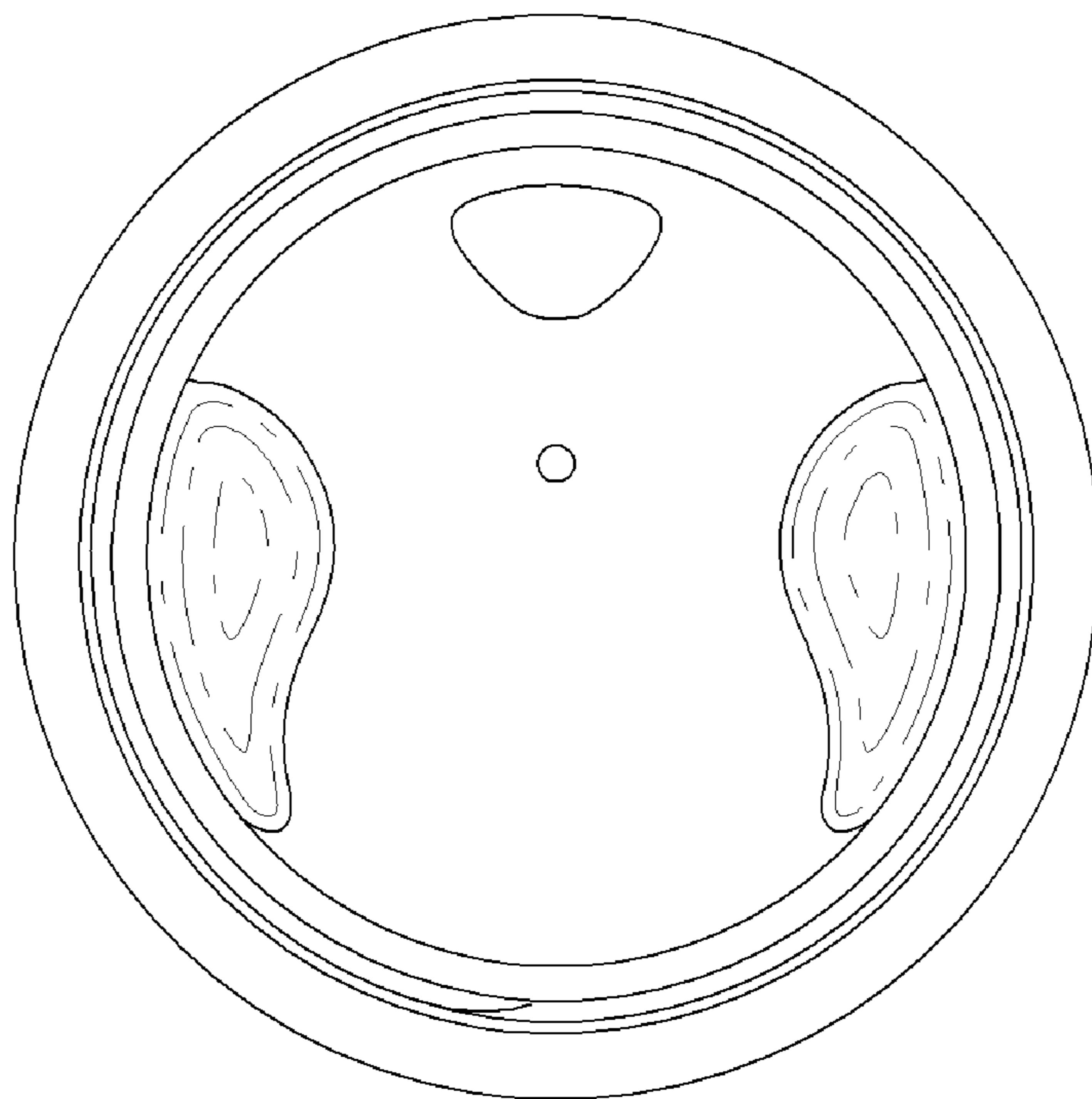
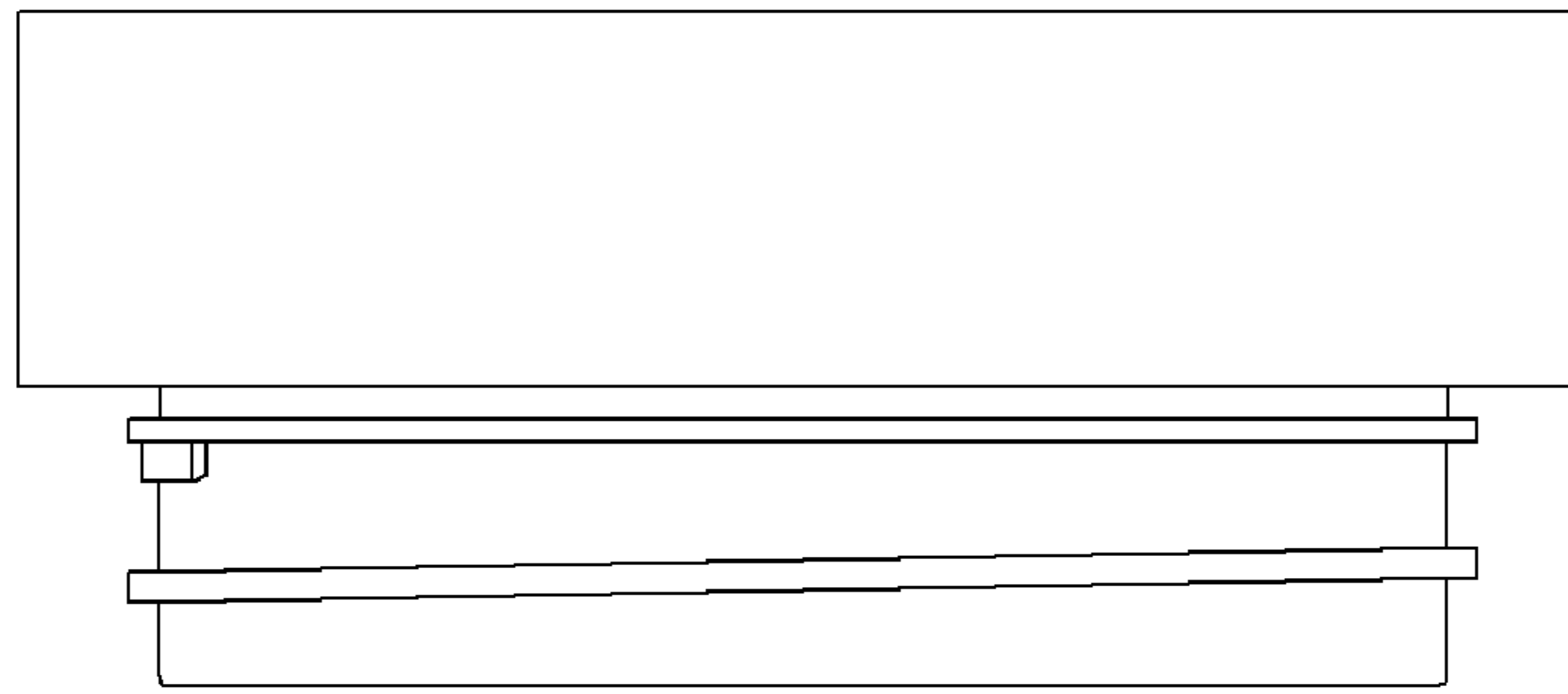


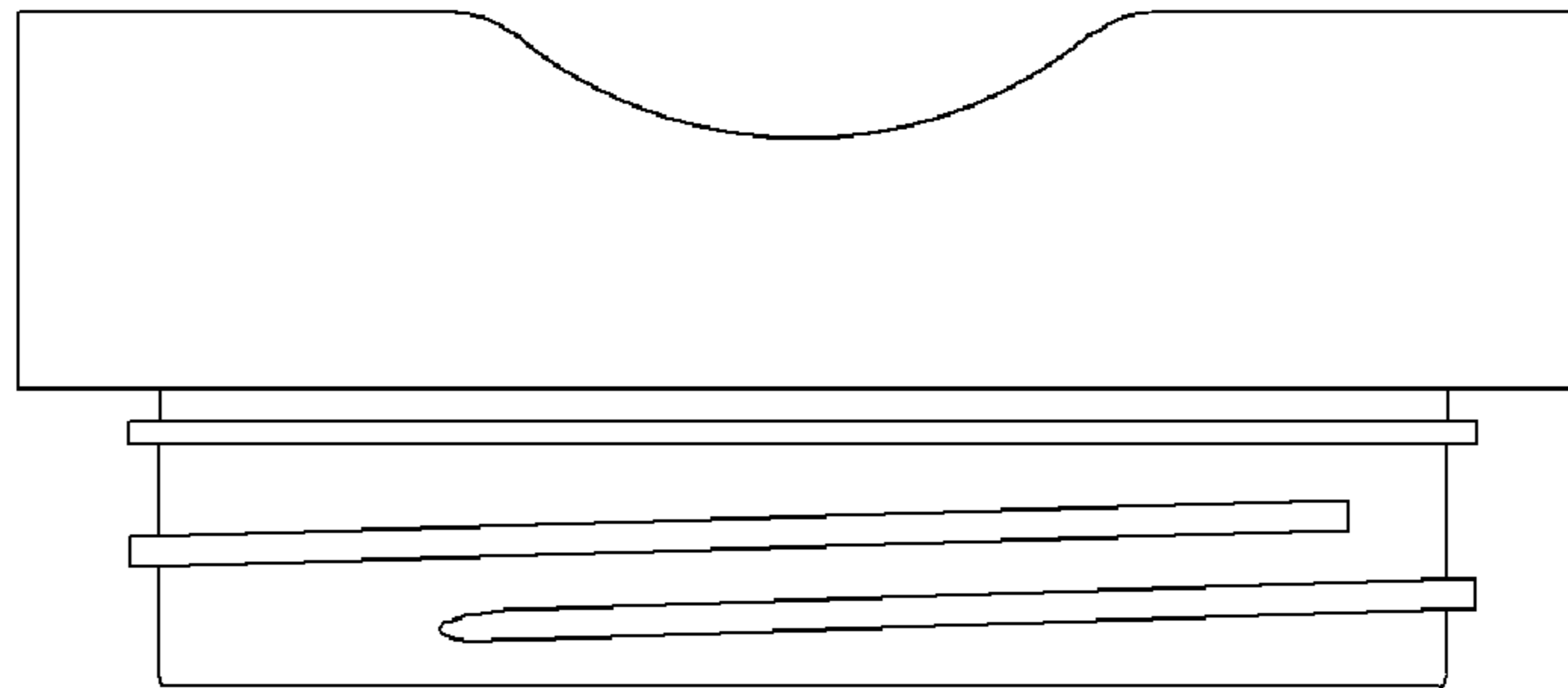
FIG. 2



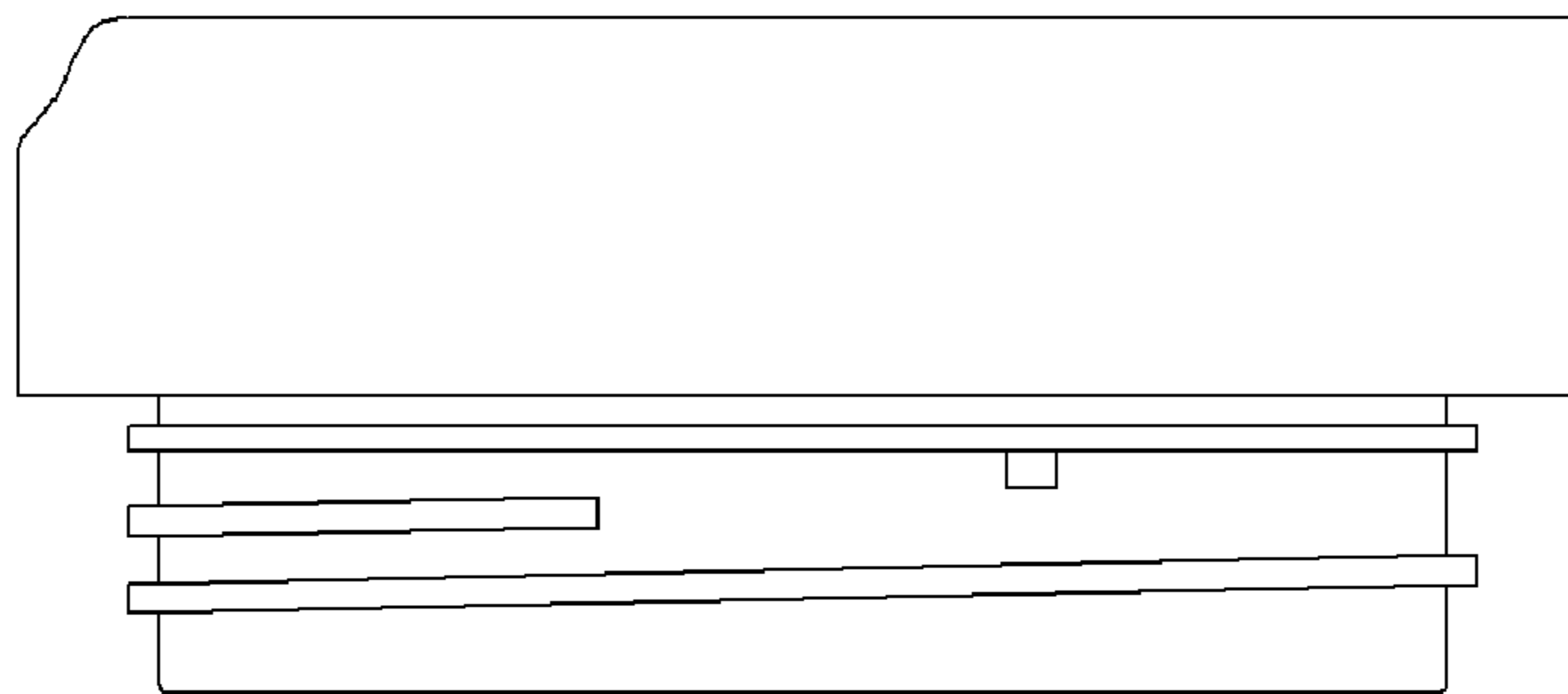
*FIG. 3*



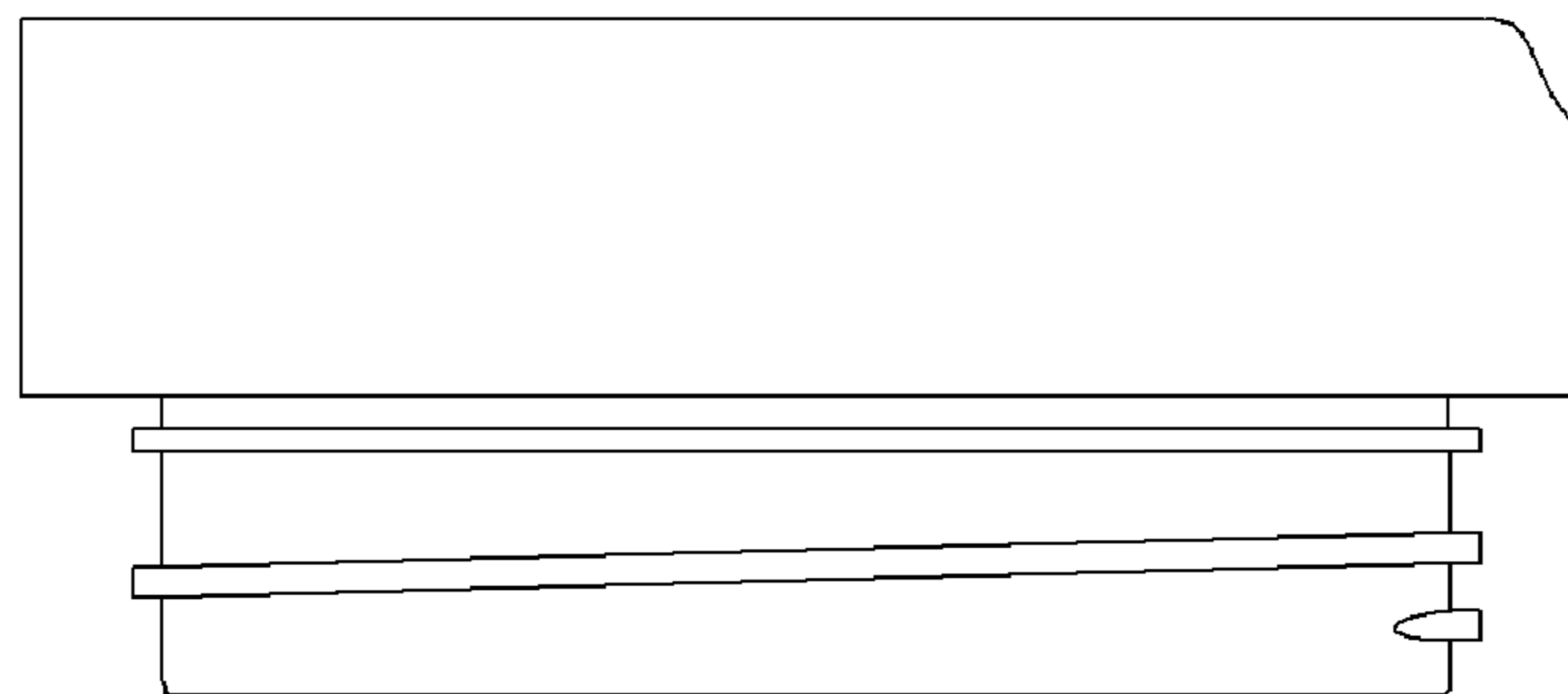
*FIG. 4*



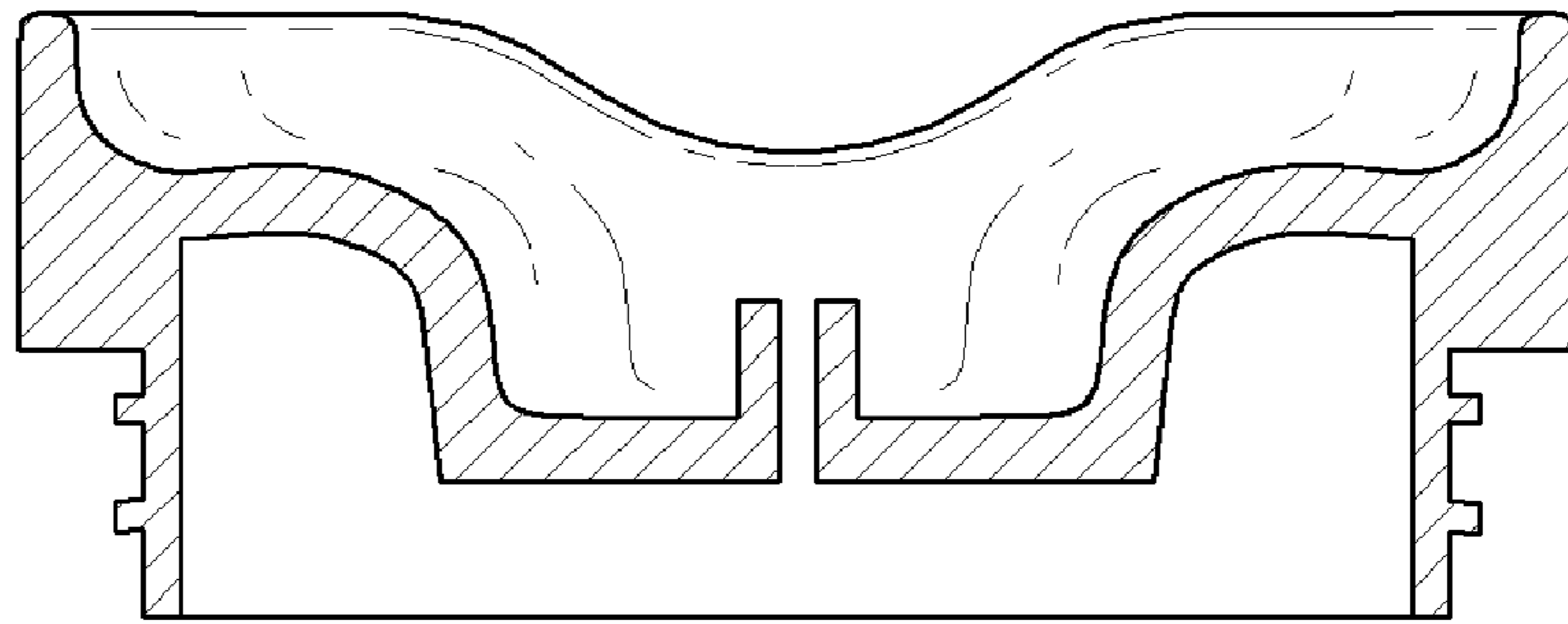
*FIG. 5*



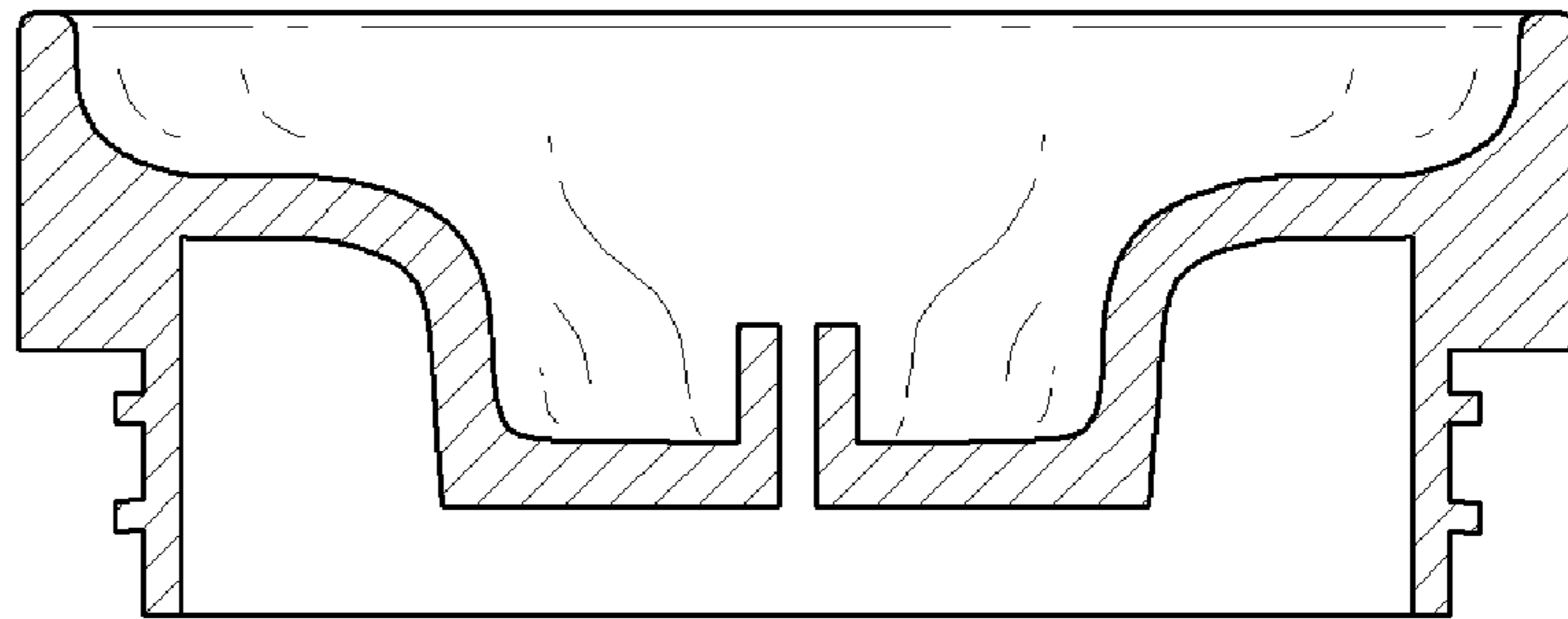
*FIG. 6*



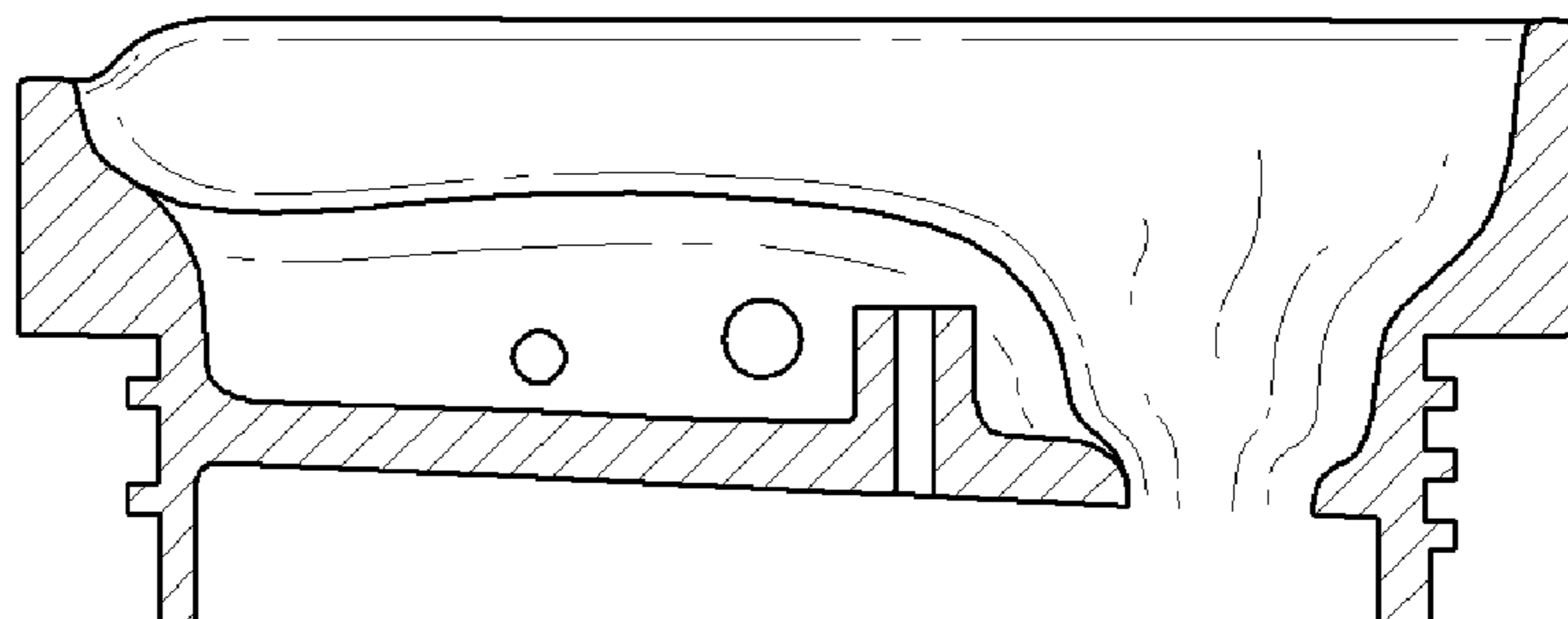
*FIG. 7*

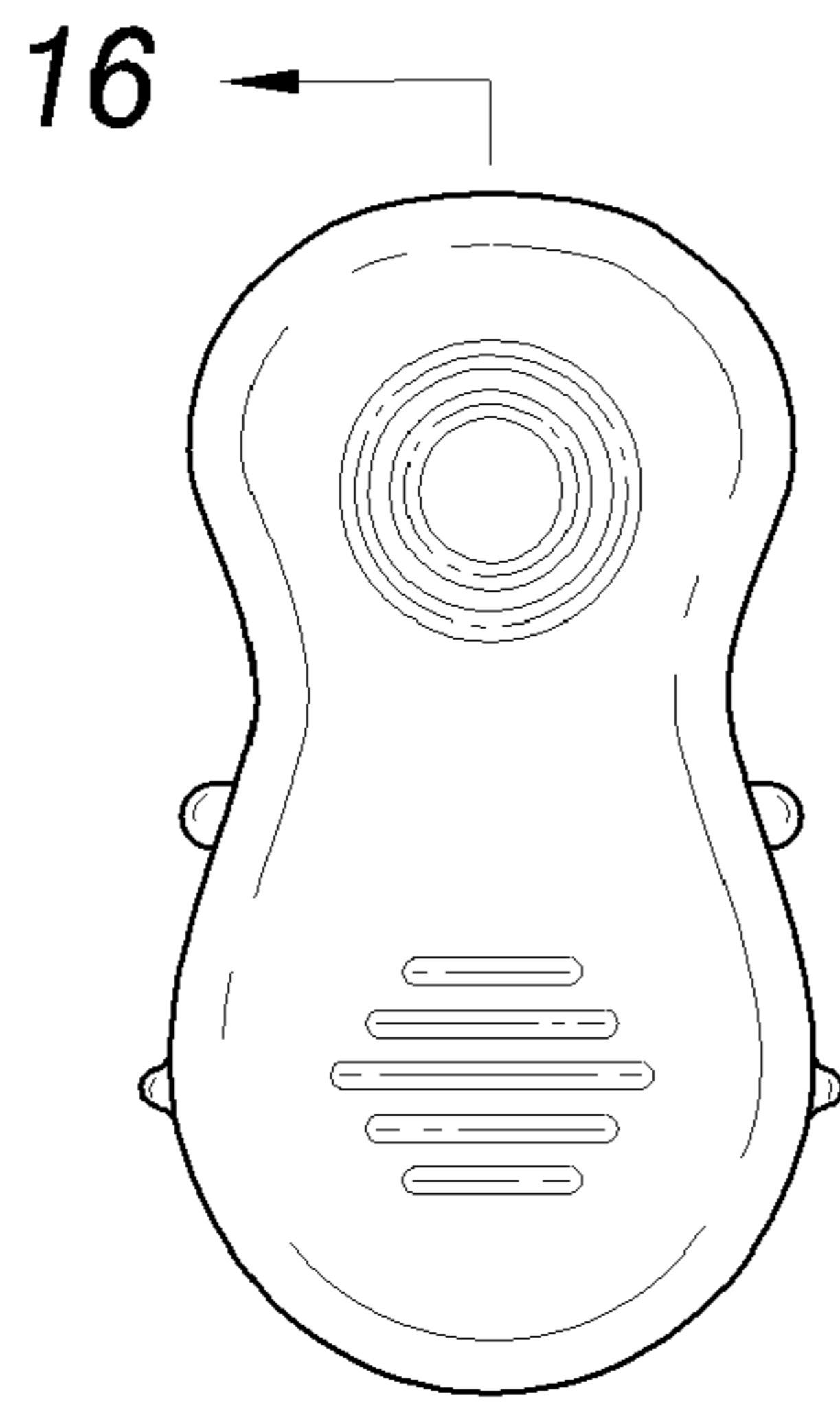


*FIG. 8*



*FIG. 9*





16  
16  
FIG. 10

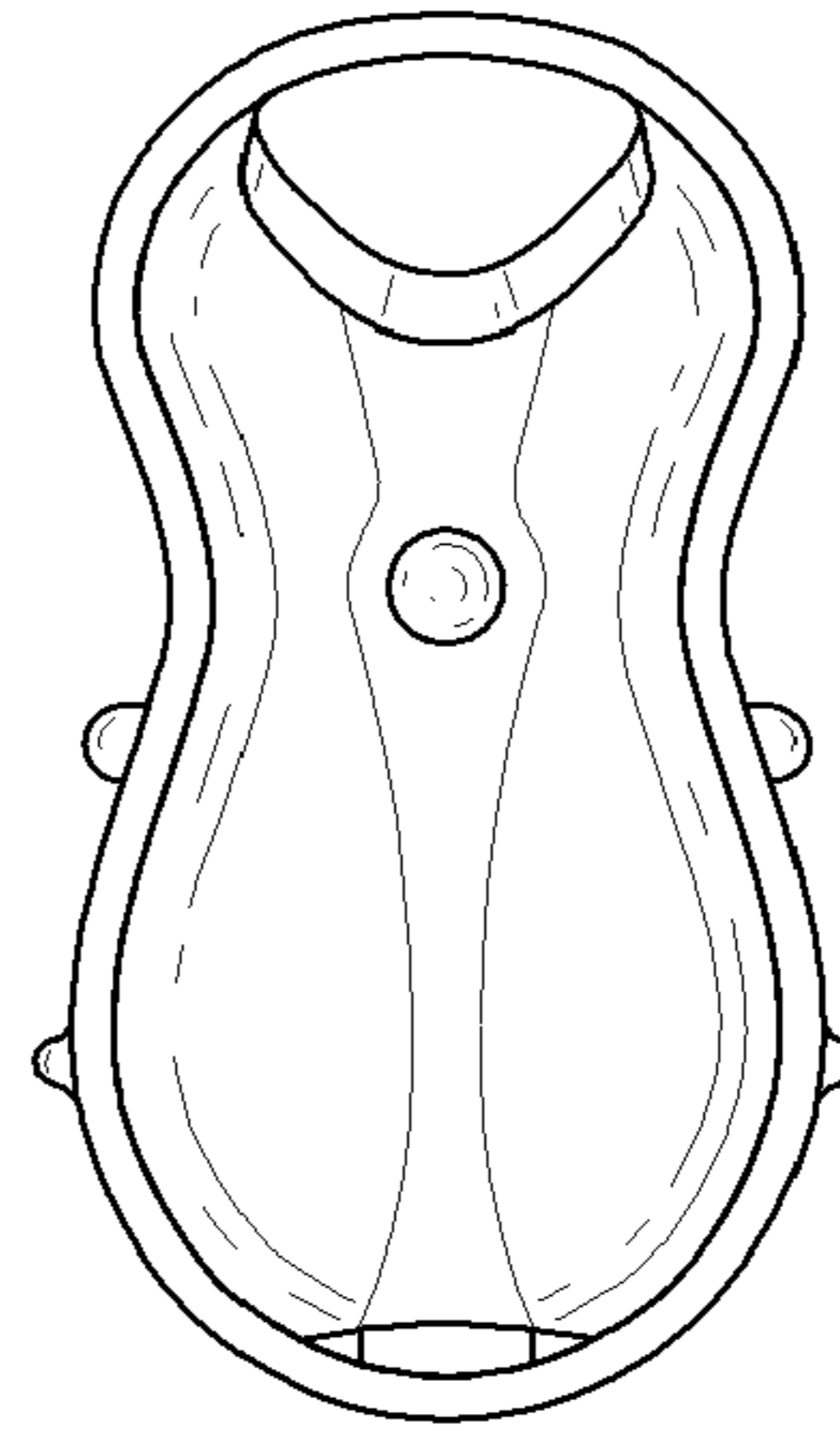


FIG. 11

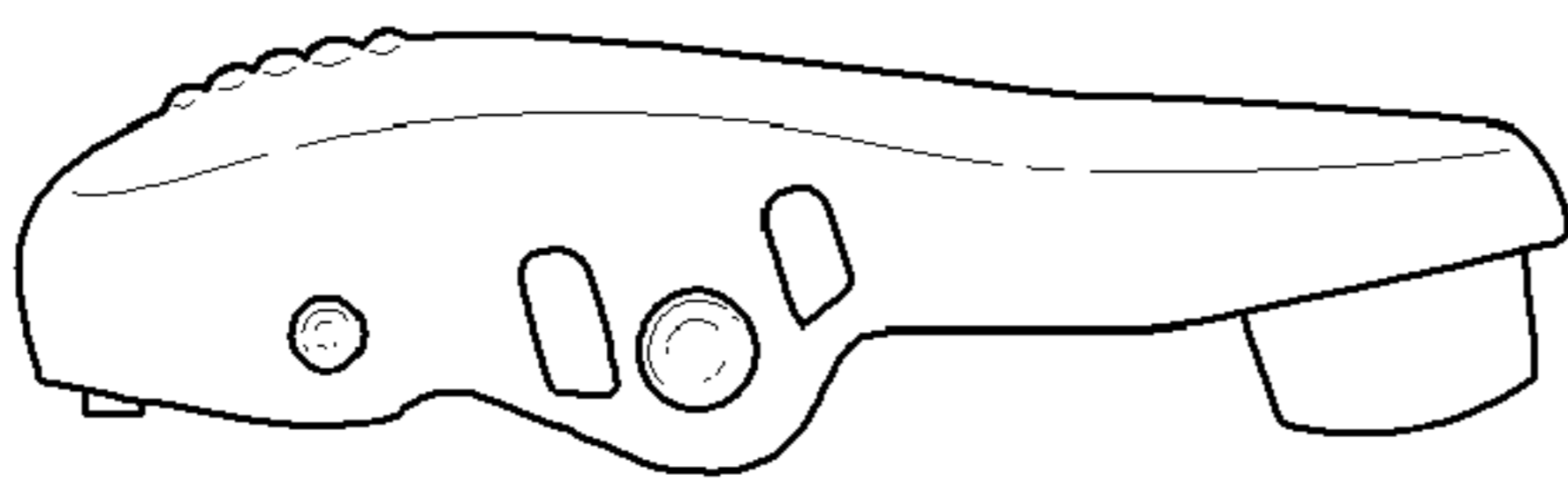


FIG. 12

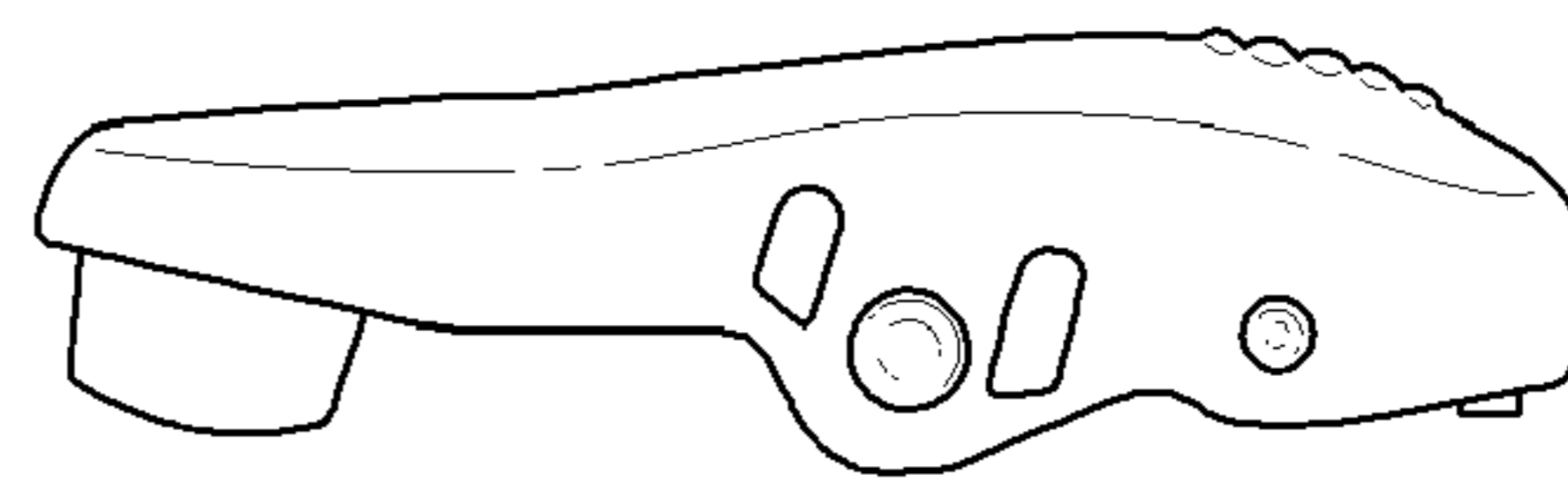


FIG. 13

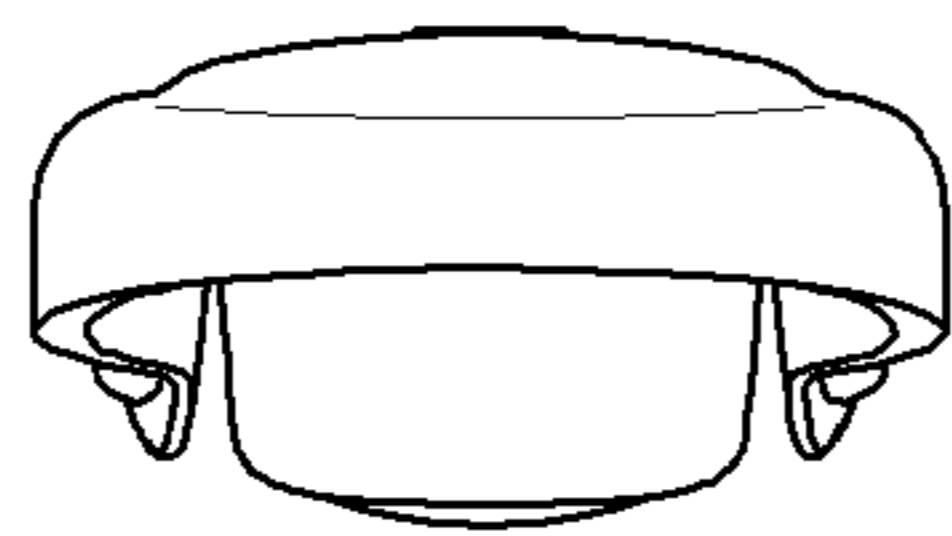


FIG. 14

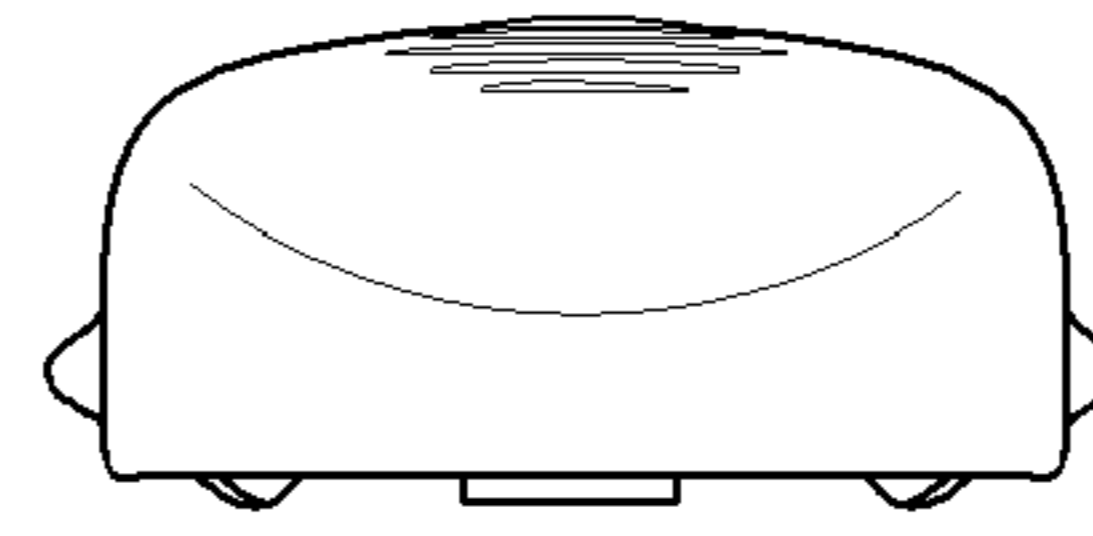


FIG. 15

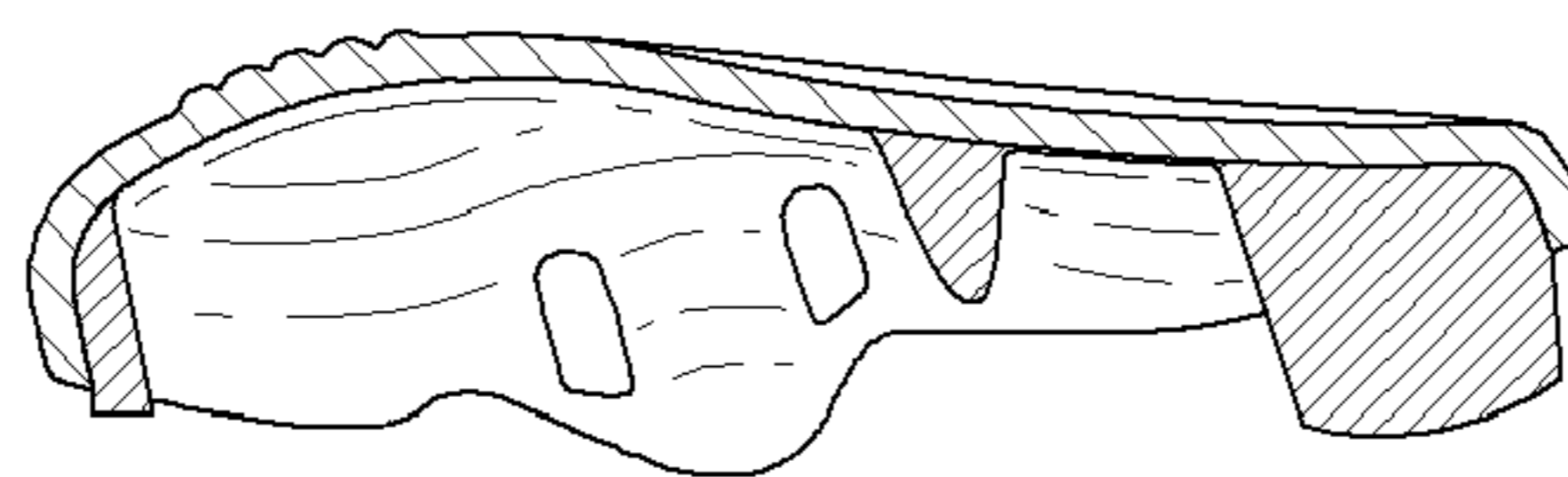


FIG. 16

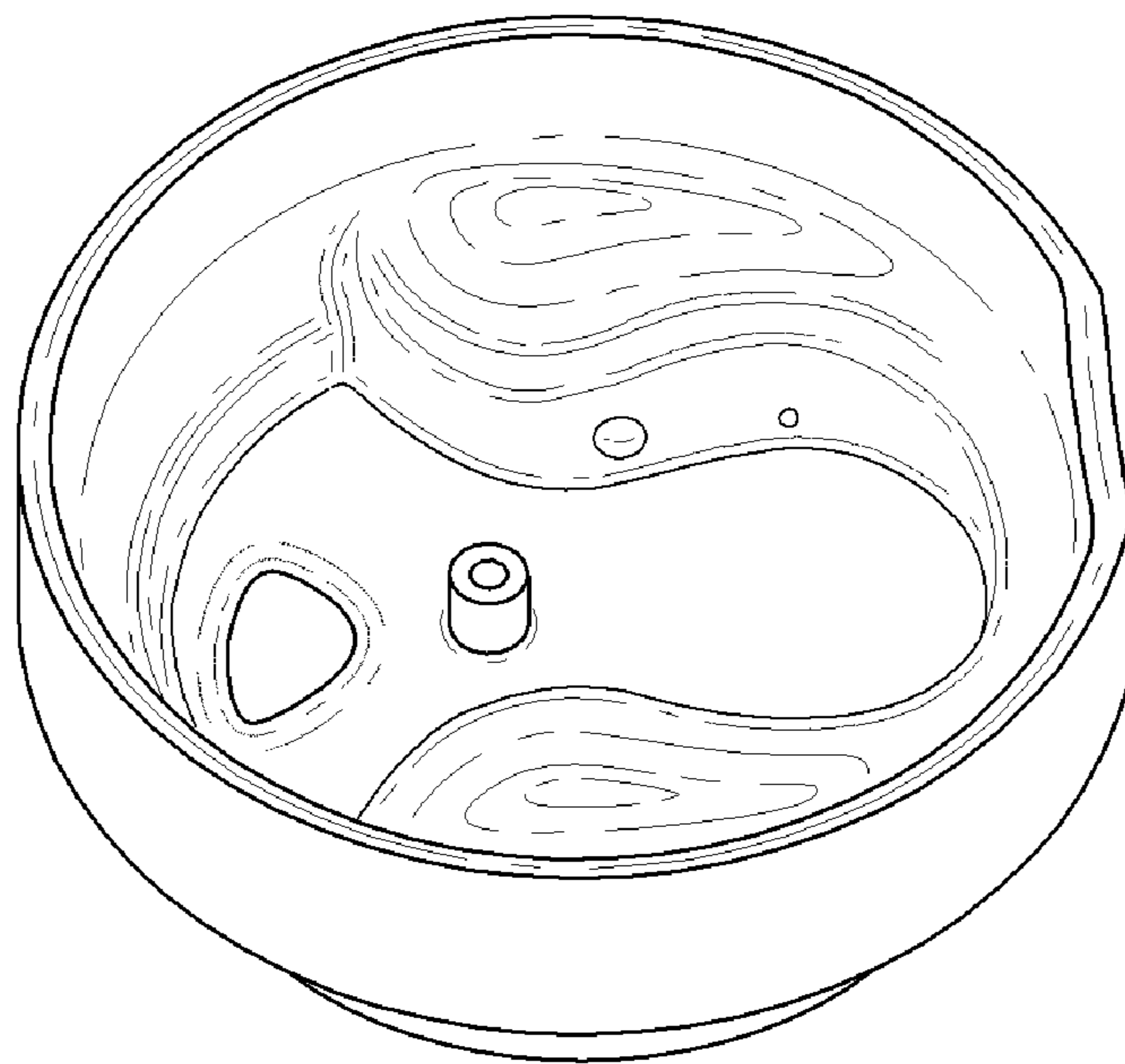


FIG. 17

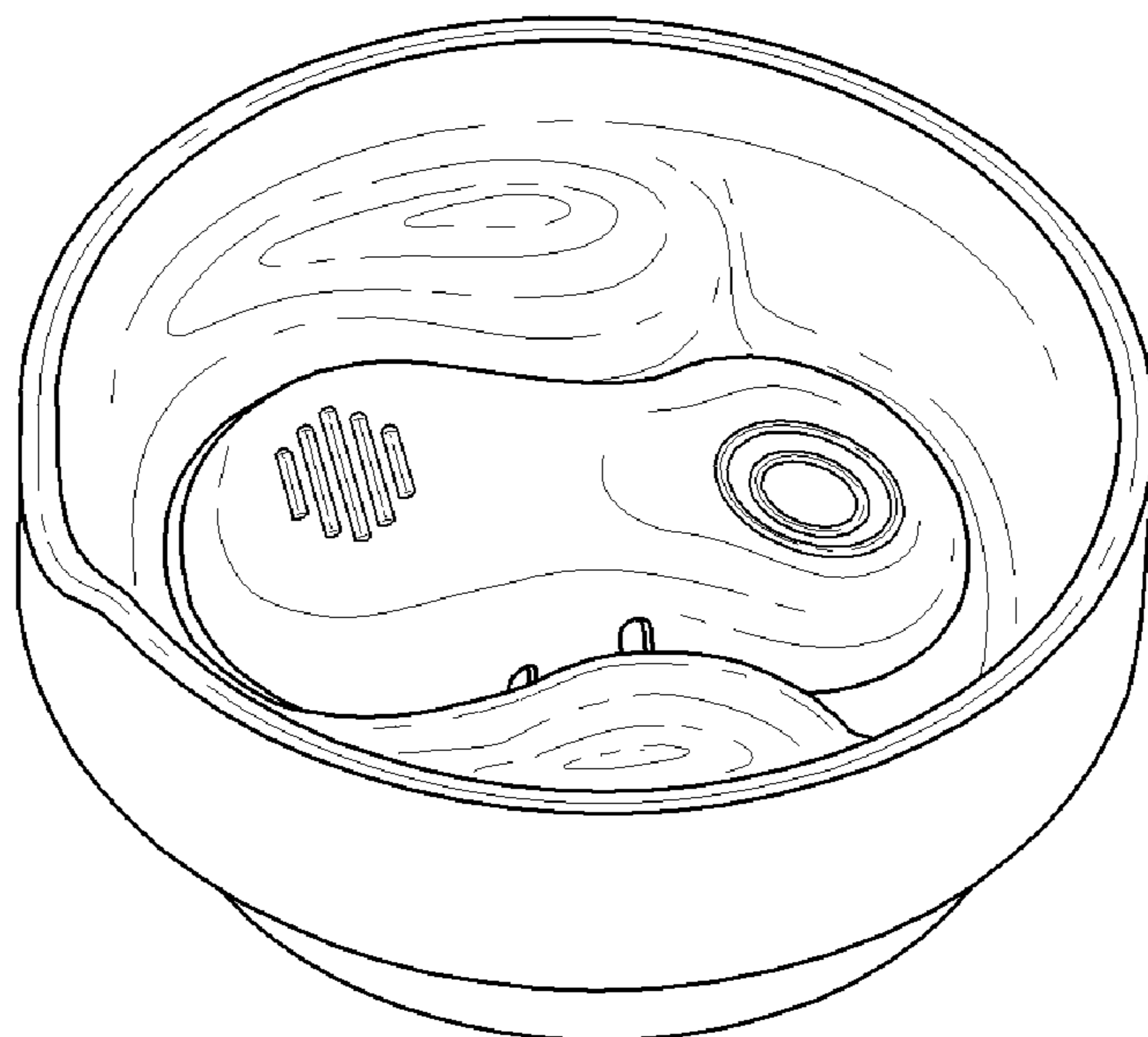


FIG. 18