



US00D618049S

(12) **United States Design Patent**
Wu

(10) **Patent No.:** **US D618,049 S**
(45) **Date of Patent:** **** Jun. 22, 2010**

(54) **JUICER**

(75) Inventor: **Andy Wu**, Quanzhou (CN)

(73) Assignee: **Quanzhou Yida Home Appliance Industrial Co., Ltd.**, Quanzhou, Fujian (CN)

(**) Term: **14 Years**

(21) Appl. No.: **29/347,351**

(22) Filed: **Dec. 14, 2009**

(51) **LOC (9) Cl.** **31-00**

(52) **U.S. Cl.** **D7/378; D7/376**

(58) **Field of Classification Search** D7/305-311,
D7/317-318, 325, 356, 376-386, 412-415,
D7/665; 99/348, 509-511; 241/30-37.5,
241/101.01-101.2, 166-169.1, 274-278.2,
241/285.1-285.3, 291, 292.1; 366/64-67,
366/98, 142, 192, 197-211, 203-207, 241-254,
366/279-292, 341-347

See application file for complete search history.

(56) **References Cited**

U.S. PATENT DOCUMENTS

D445,635 S * 7/2001 Gort-Barten D7/378

D512,265 S * 12/2005 McCurrach D7/378
D526,156 S * 8/2006 Yeung D7/378
D568,096 S * 5/2008 Sun D7/378
D588,863 S * 3/2009 Sands D7/378
D593,792 S * 6/2009 Li D7/378

* cited by examiner

Primary Examiner—Caron Veynar

Assistant Examiner—Ricky Pham

(74) *Attorney, Agent, or Firm*—Bacon & Thomas, PLLC

(57) **CLAIM**

The ornamental design for a juicer, as shown and described.

DESCRIPTION

FIG. 1 is a perspective view of a juicer showing my new design;

FIG. 2 is a front elevational view thereof;

FIG. 3 is a rear elevational view thereof;

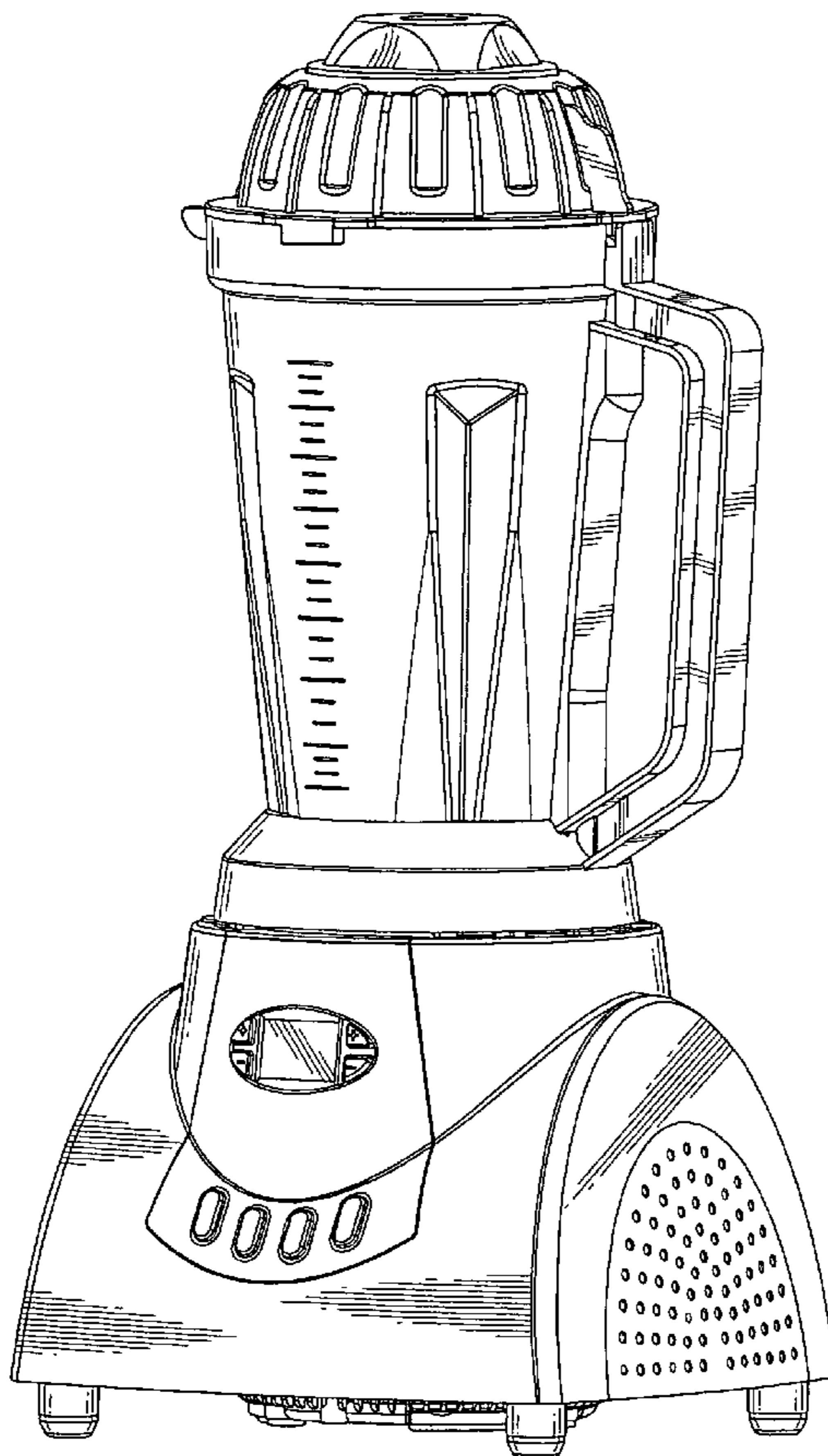
FIG. 4 is a left side elevational view thereof;

FIG. 5 is a right side elevational view thereof;

FIG. 6 is a top plan view thereof; and,

FIG. 7 is a bottom plan view thereof.

1 Claim, 6 Drawing Sheets



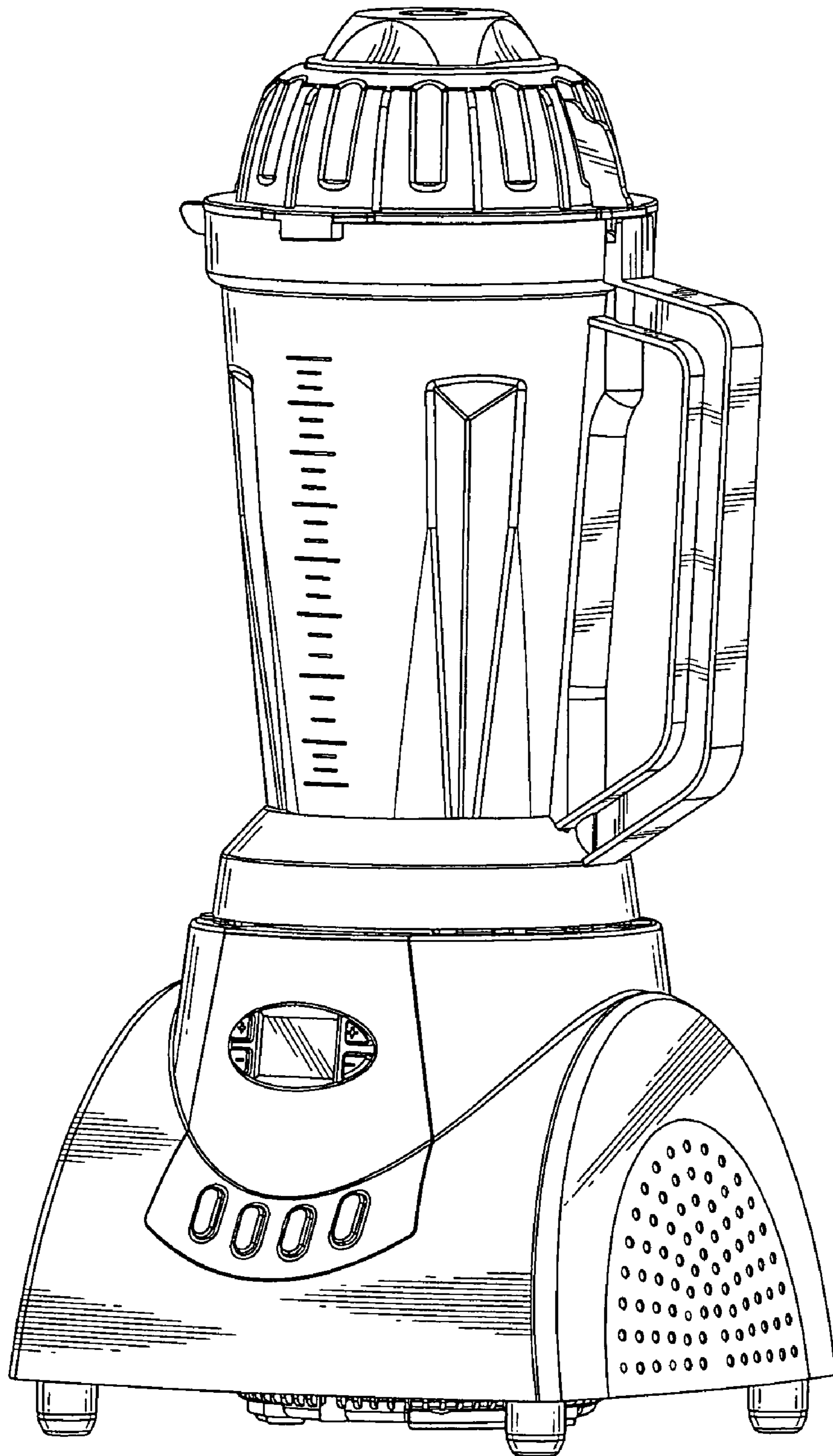


FIG. 1

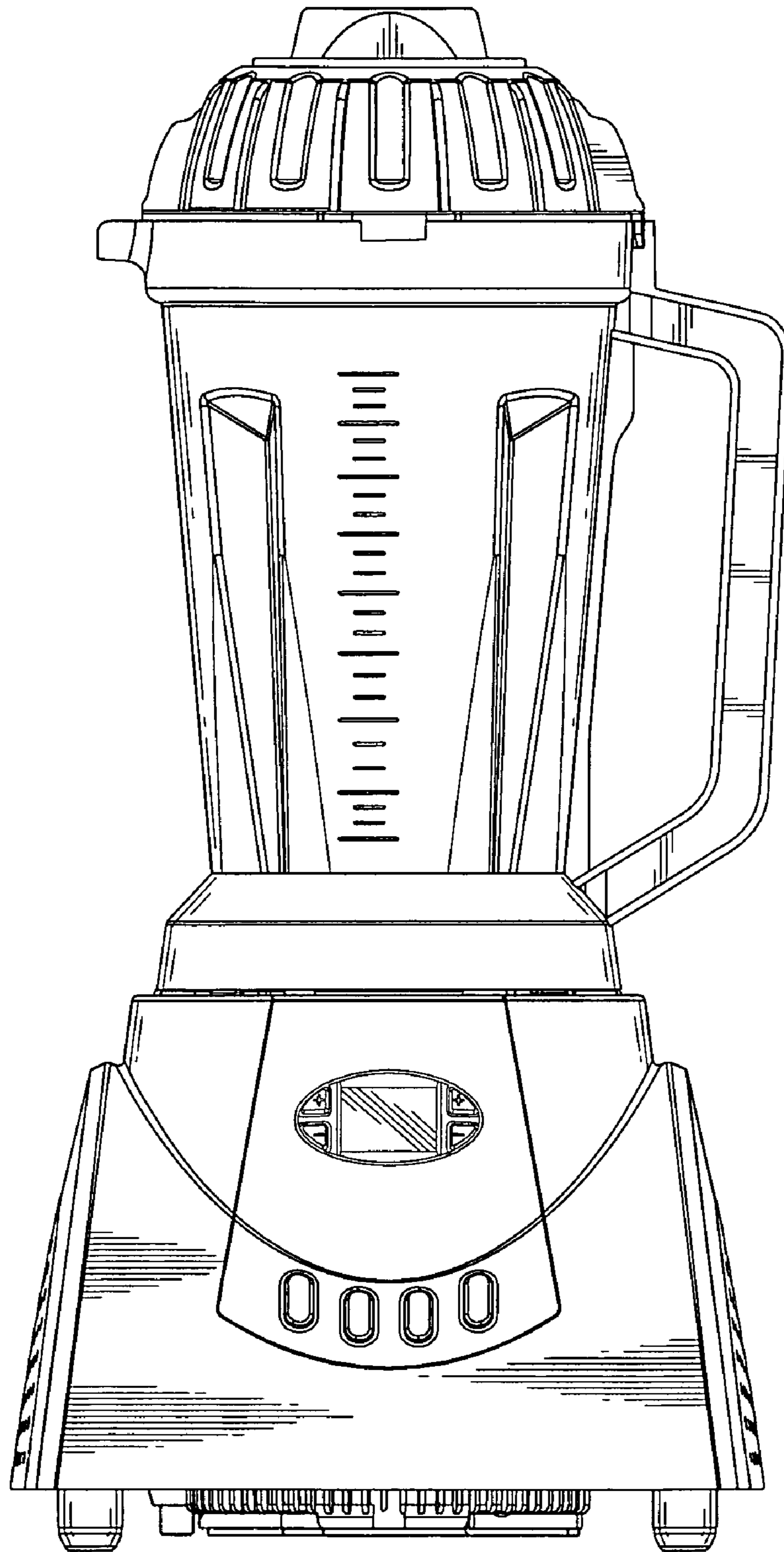


FIG. 2

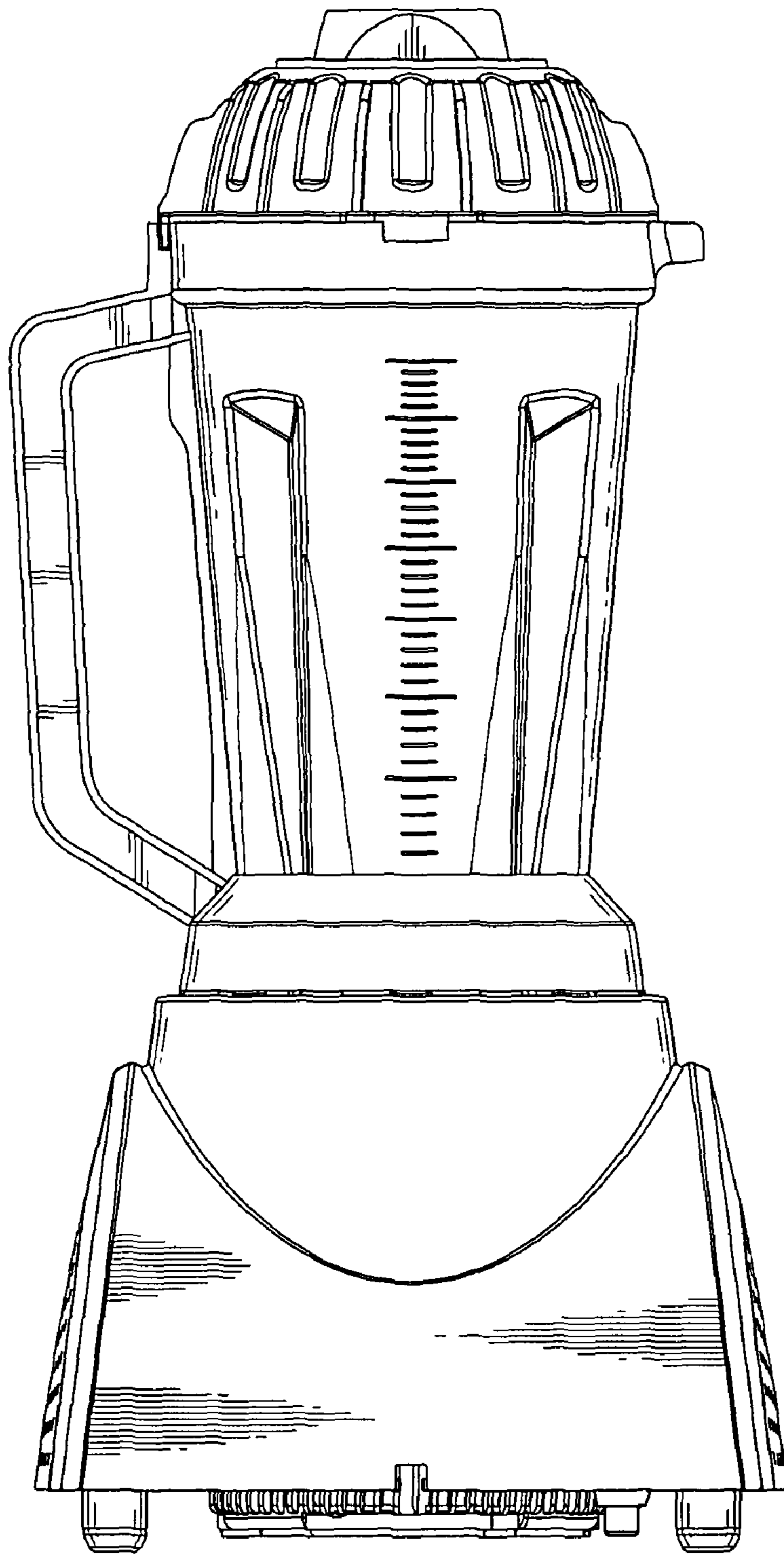


FIG. 3

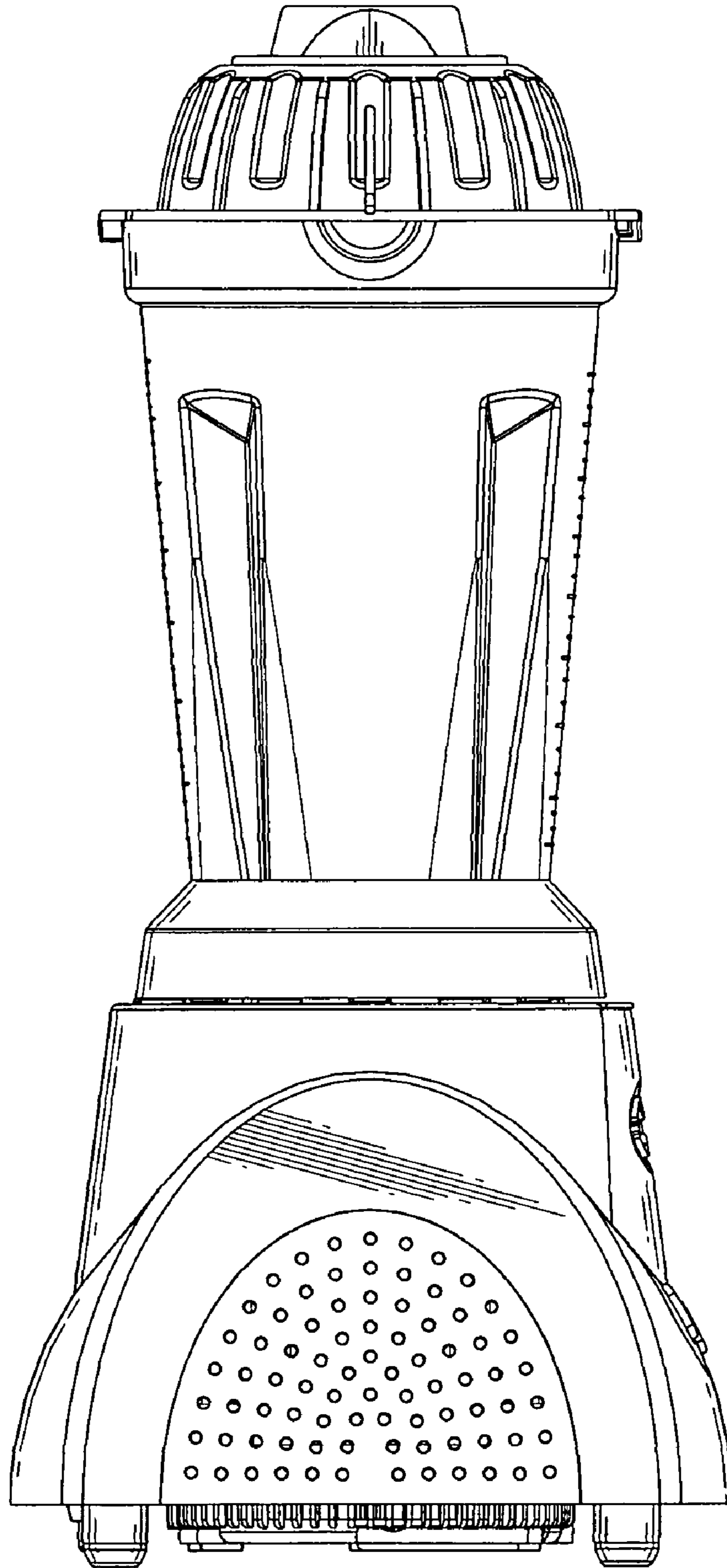


FIG. 4

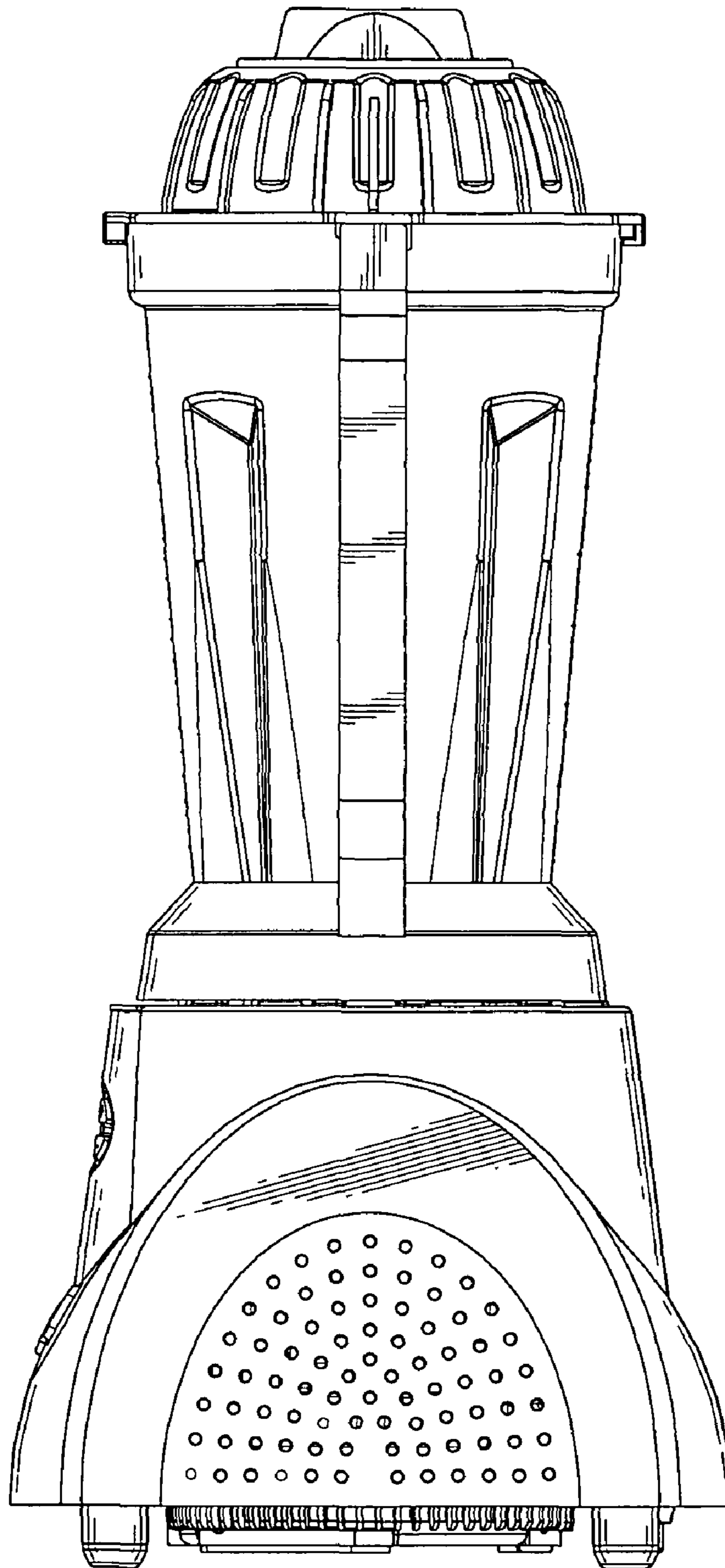


FIG. 5

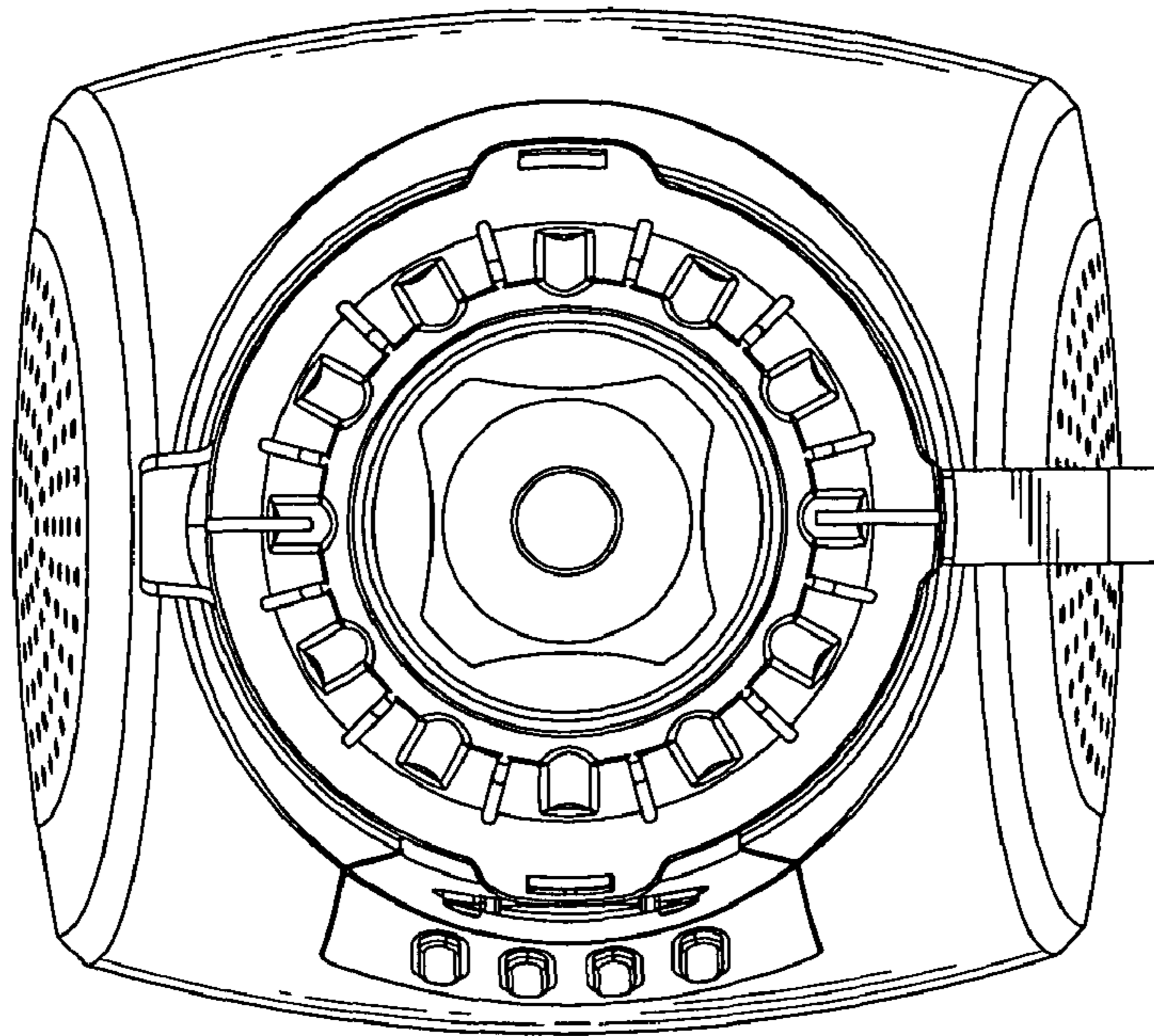


FIG. 6

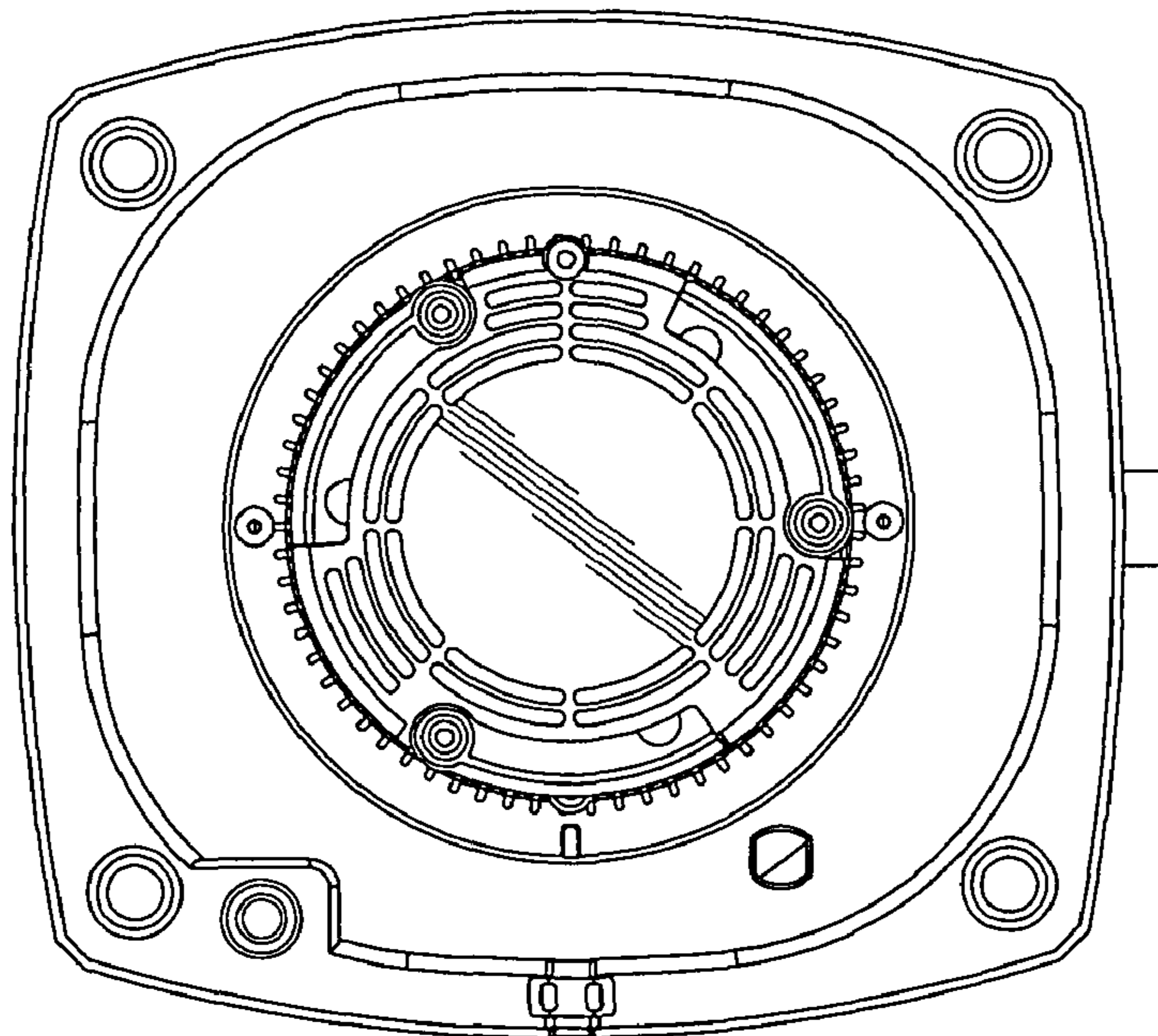


FIG. 7